

# PARTS CATALOGUE GOLF CAR GAS

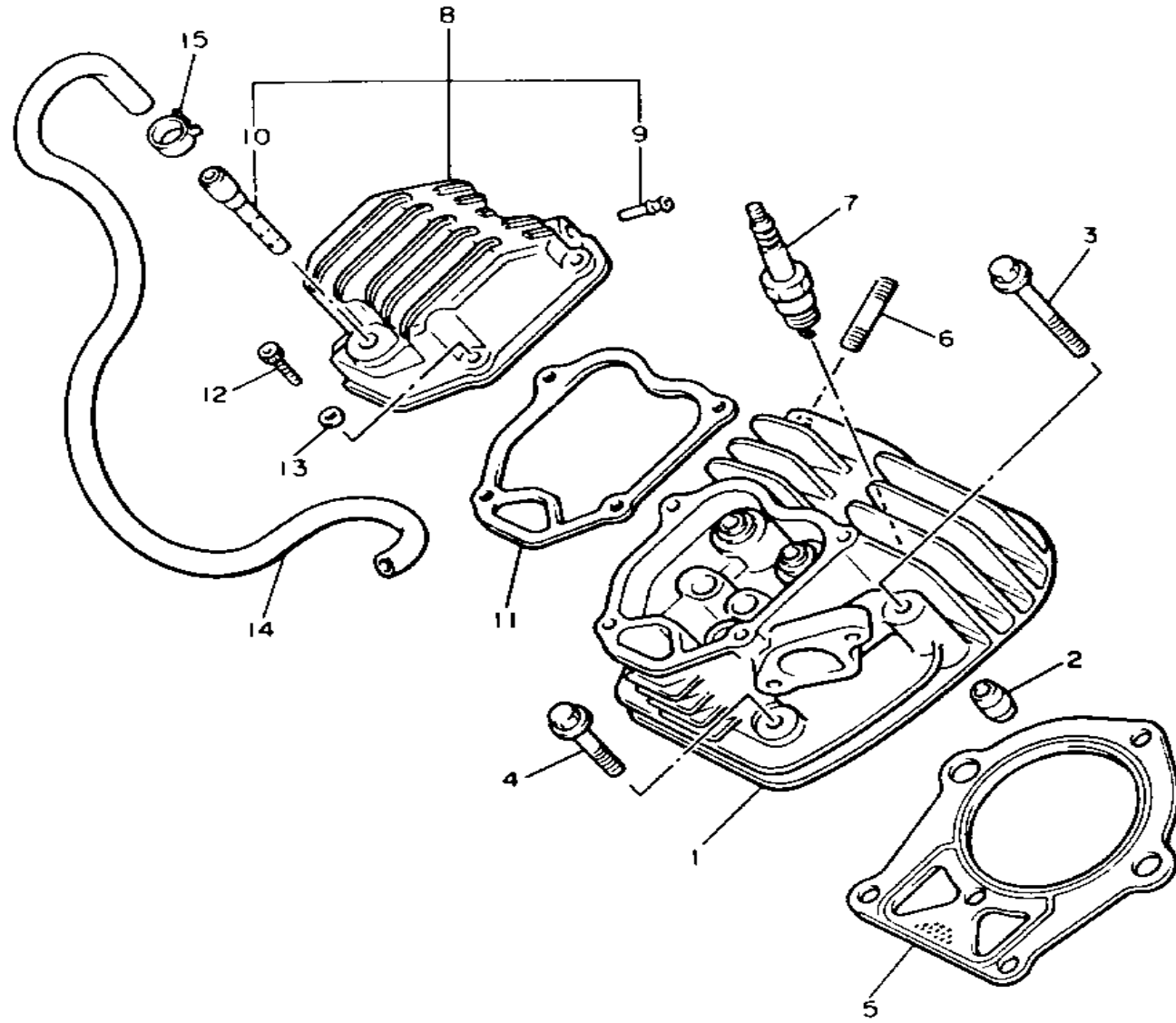
- 1985 G2AM5 (J38)
- 1986 G2A (J38)
- 1987 G2AB (J38)
- 1987 G2A (J38)
- 1988 G2A (J38)
- 1988 G2AC (JA2)

STARTING FRAME (G2AM5): J38-000101  
 STARTING FRAME (G2A): J38-007101~018590, 066101~0070910  
 STARTING FRAME (G2AB): J38-020101~024968  
 STARTING FRAME (G2A): J38-039010~039489  
 STARTING FRAME (G2A): J38-071101~072004  
 STARTING FRAME (G2AC): JA2-000001 and following

## CONTENTS

ACCELERATOR	C3
AIR FILTER	A7-8
AIR SHROUD FAN	A6
BODY 1	D1-3
BODY 2	D4-6
BODY FITTING	D7-8
BRAKE 1	B10-12
BRAKE 2	C1
BRAKE 3	C2
BUMPER	C11-12
CAMSHAFT VALVE	A5
CARBURETOR	A9
CARRIER	D9-10
CRANKCASE	A11-12
CRANKSHAFT PISTON	A3-4
CYLINDER	A2
ELECTRICAL 1	E2
ELECTRICAL 2	E3-4
ENGINE BRACKET	B1
EXHAUST	A10
FRAME	B3
FRONT SUSPENSION WHEEL	B4-6
FUEL TANK	B9
GOVERNOR	C4
PRIMARY SHEAVE	C5
REAR AXLE WHEEL	C10
REAR SHOCKS	B2
SEAT	D11
SECONDARY SHEAVE	C6
STARTING MOTOR	D12 ,E1
STEERING	B7-8
TRANSMISSION	C7-9
-MODELS IN THIS CATALOG	E5

# CYLINDER



Ref. No.	Part Number	Description	Qty	Remarks
1	J38-11102-00-00	CYLINDER HEAD ASSEMBLY .	1	
2	99510-12016-00	PIN, DOWEL .....	2	
3	95811-08070-00	BOLT, FLANGE .....	3	
4	95811-08045-00	BOLT, FLANGE (JN5) .....	3	
5	J38-11181-00-00	GASKET, CYLINDER HEAD 1 .	1	
6	95612-08618-00	BOLT, STUD .....	2	
7	NGK-B5ES0-00-00	PLUG, SPARK (NGK B5ES) ...	1	
8	J38-11191-00-00	COVER, CYLINDER HEAD 1 ..	1	
9	J38-11116-00-00	. JOINT, BREATHER .....	2	
10	J38-24461-00-00	. PIPE, JOINT .....	1	
11	J38-11193-00-00	GASKET, HEAD COVER 1 ....	1	
12	91316-06025-00	BOLT .....	4	
13	92990-06600-00	WASHER, PLATE .....	4	
14	90445-130F8-00	HOSE .....	1	
15	90467-12052-00	CLIP .....	2	

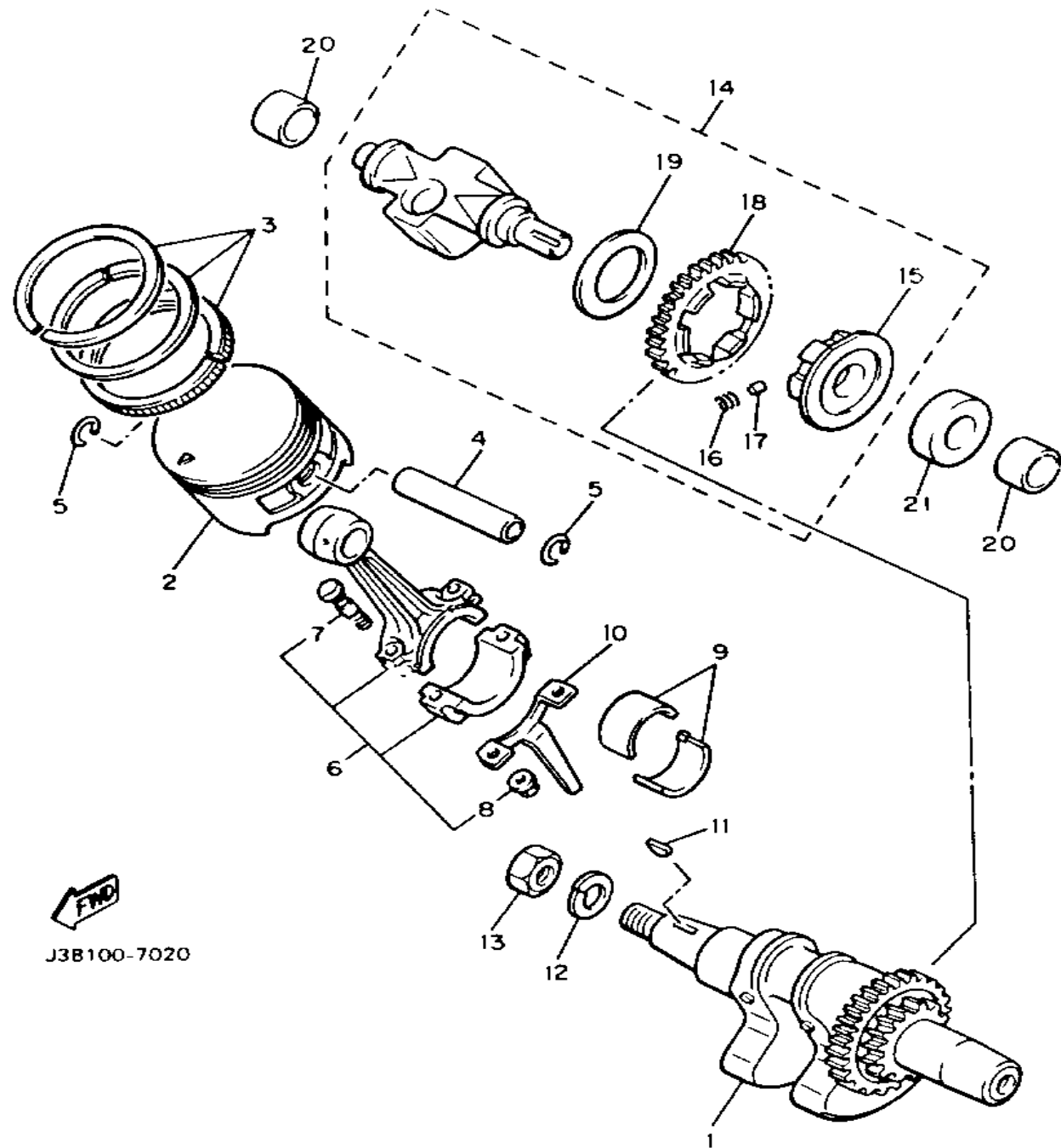
## CONTENTS

ACCELERATOR	C3
AIR FILTER	A7-8
AIR SHROUD FAN	A6
BODY 1	D1-3
BODY 2	D4-6
BODY FITTING	D7-8
BRAKE 1	B10-12
BRAKE 2	C1
BRAKE 3	C2
BUMPER	C11-12
CAMSHAFT VALVE	A5
CARBURETOR	A9
CARRIER	D9-10
CRANKCASE	A11-12
CRANKSHAFT PISTON	A3-4
CYLINDER	A2
ELECTRICAL 1	E2
ELECTRICAL 2	E3-4
ENGINE BRACKET	B1
EXHAUST	A10
FRAME	B3
FRONT SUSPENSION WHEEL	B4-6
FUEL TANK	B9
GOVERNOR	C4
PRIMARY SHEAVE	C5
REAR AXLE WHEEL	C10
REAR SHOCKS	B2
SEAT	D11
SECONDARY SHEAVE	C6
STARTING MOTOR	D12 ,E1
STEERING	B7-8
TRANSMISSION	C7-9
-MODELS IN THIS CATALOG	E5



J38110-5010

# CRANKSHAFT PISTON



J3B100-7020

**NOTE A:**

99999-01891-00 KIT INCLUDES: J38-11631-01-A0 PISTON (STD)  
 99999-01892-00 KIT INCLUDES: J38-11635-01-00 PISTON (0.25MM O/S)  
 99999-01893-00 KIT INCLUDES: J38-11636-01-00 PISTON (0.50MM O/S)

**ALL KITS INCLUDE:**

7A9-11633-00-00 PIN, PISTON.....1  
 93450-19047-00 CIRCLIP.....2

Ref. No.	Part Number	Description	Qty	Remarks
1	J38-11400-00-00	CRANKSHAFT ASSEMBLY	1	
2	99999-01891-00	PISTON (STD) (J38-11631-00-A0)	1	SEE NOTE A
	99999-01893-00	PISTON (0.50MM O/S) (J38-11636-00-00)	1	UR ALTERNATE PART
	99999-01892-00	PISTON (0.25MM O/S) (J38-11635-00-00)	1	UR ALTERNATE PART
3	J38-11610-00-00	PISTON RING SET (STD)	1	
	J38-11610-10-00	PISTON RING SET (0.25MM O/S)	1	UR ALTERNATE PART
	J38-11610-20-00	PISTON RING SET (0.50MM O/S)	1	UR ALTERNATE PART
4	2F1-11633-00-00	PIN, PISTON	1	
5	93450-19052-00	CIRCLIP	2	
6	J38-11650-00-00	CONNECTING ROD ASSEMBLY	1	
7	J38-11654-00-00	. BOLT, CONNECTING ROD	2	
8	90179-08327-00	. NUT	2	
9	J38-11656-00-00	BEARING, CON-ROD	2	U.R. BROWN
	J38-11656-10-00	BEARING, CON-ROD	2	U.R. BLACK
	J38-11656-20-00	BEARING, CON-ROD	2	U.R. BLUE
10	J38-11657-00-00	SPLASHER, OIL	1	
11	90280-16053-00	KEY, WOODRUFF (90280-05048-00)	1	
12	92901-16100-00	WASHER, SPRING	1	
13	90170-16182-00	NUT	1	
14	J38-11500-00-00	BALANCER ASSEMBLY	1	
15	J38-11496-00-00	. BOSS, BUFFER	1	
16	90501-21133-00	. SPRING, COMPRESSION	6	
17	93605-10090-00	. PIN, DOWEL	3	
18	J38-11531-00-00	. GEAR, BALANCE WT	1	
19	90201-201G9-00	. WASHER, PLATE	1	
20	90387-155R3-00	COLLAR	2	

## CONTENTS

ACCELERATOR	C3
AIR FILTER	A7-8
AIR SHROUD FAN	A6
BODY 1	D1-3
BODY 2	D4-6
BODY FITTING	D7-8
BRAKE 1	B10-12
BRAKE 2	C1
BRAKE 3	C2
BUMPER	C11-12
CAMSHAFT VALVE	A5
CARBURETOR	A9
CARRIER	D9-10
CRANKCASE	A11-12
CRANKSHAFT PISTON	A3-4
CYLINDER	A2
ELECTRICAL 1	E2
ELECTRICAL 2	E3-4
ENGINE BRACKET	B1
EXHAUST	A10
FRAME	B3
FRONT SUSPENSION WHEEL	B4-6
FUEL TANK	B9
GOVERNOR	C4
PRIMARY SHEAVE	C5
REAR AXLE WHEEL	C10
REAR SHOCKS	B2
SEAT	D11
SECONDARY SHEAVE	C6
STARTING MOTOR	D12, E1
STEERING	B7-8
TRANSMISSION	C7-9
-MODELS IN THIS CATALOG	E5

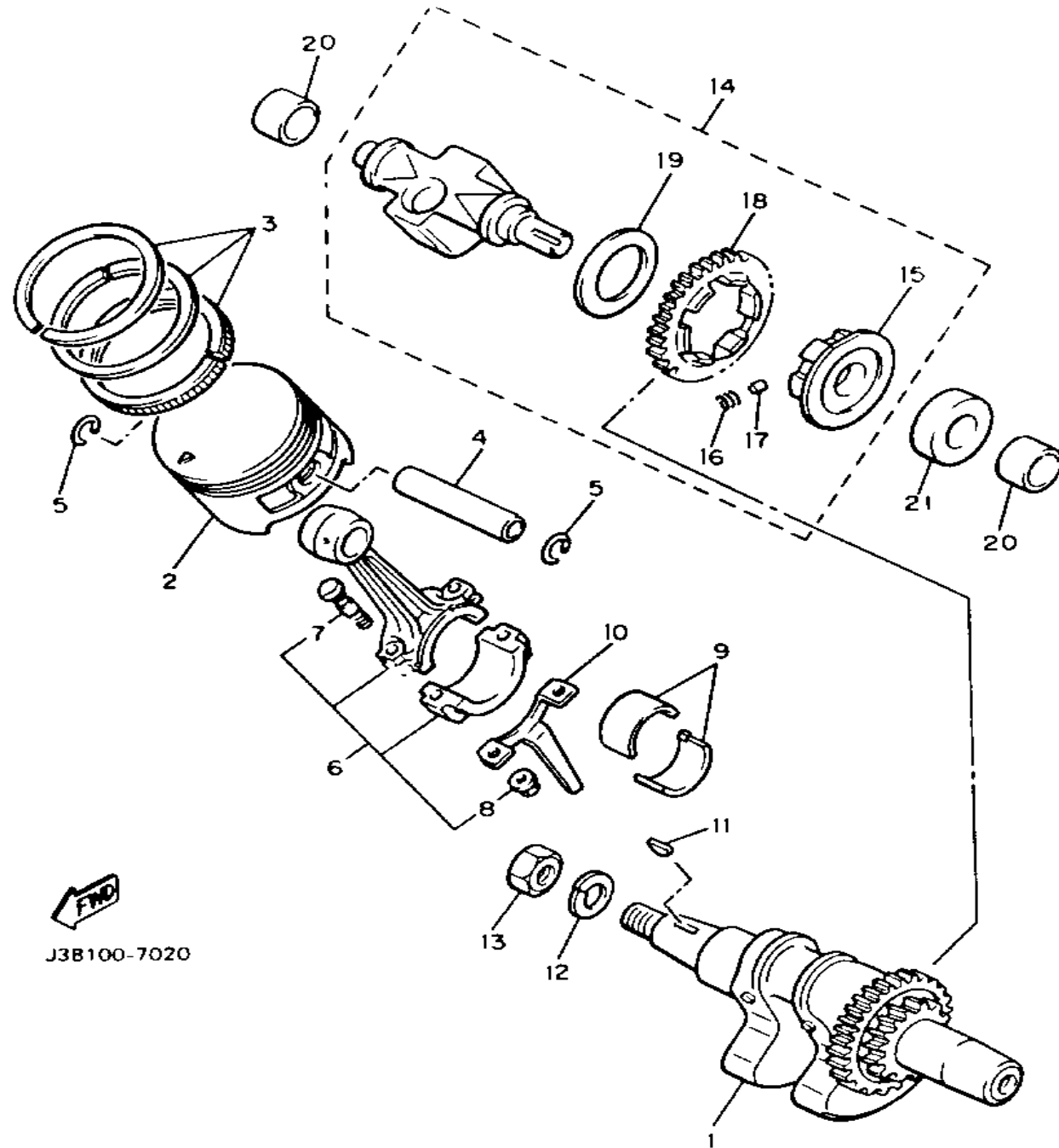
CONTINUED ON NEXT FRAME ►

# CRANKSHAFT PISTON

Ref. No.	Part Number	Description	Qty	Remarks
21	90387-152M7-00	COLLAR .....	1	

## CONTENTS

ACCELERATOR	C3
AIR FILTER	A7-8
AIR SHROUD FAN	A6
BODY 1	D1-3
BODY 2	D4-6
BODY FITTING	D7-8
BRAKE 1	B10-12
BRAKE 2	C1
BRAKE 3	C2
BUMPER	C11-12
CAMSHAFT VALVE	A5
CARBURETOR	A9
CARRIER	D9-10
CRANKCASE	A11-12
CRANKSHAFT PISTON	A3-4
CYLINDER	A2
ELECTRICAL 1	E2
ELECTRICAL 2	E3-4
ENGINE BRACKET	B1
EXHAUST	A10
FRAME	B3
FRONT SUSPENSION WHEEL	B4-6
FUEL TANK	B9
GOVERNOR	C4
PRIMARY SHEAVE	C5
REAR AXLE WHEEL	C10
REAR SHOCKS	B2
SEAT	D11
SECONDARY SHEAVE	C6
STARTING MOTOR	D12 ,E1
STEERING	B7-8
TRANSMISSION	C7-9
-MODELS IN THIS CATALOG	E5



J3B100-7020

### NOTE A:

99999-01891-00 KIT INCLUDES: J38-11631-01-A0 PISTON (STD)  
 99999-01892-00 KIT INCLUDES: J38-11635-01-00 PISTON (0.25MM O/S)  
 99999-01893-00 KIT INCLUDES: J38-11636-01-00 PISTON (0.50MM O/S)

### ALL KITS INCLUDE:

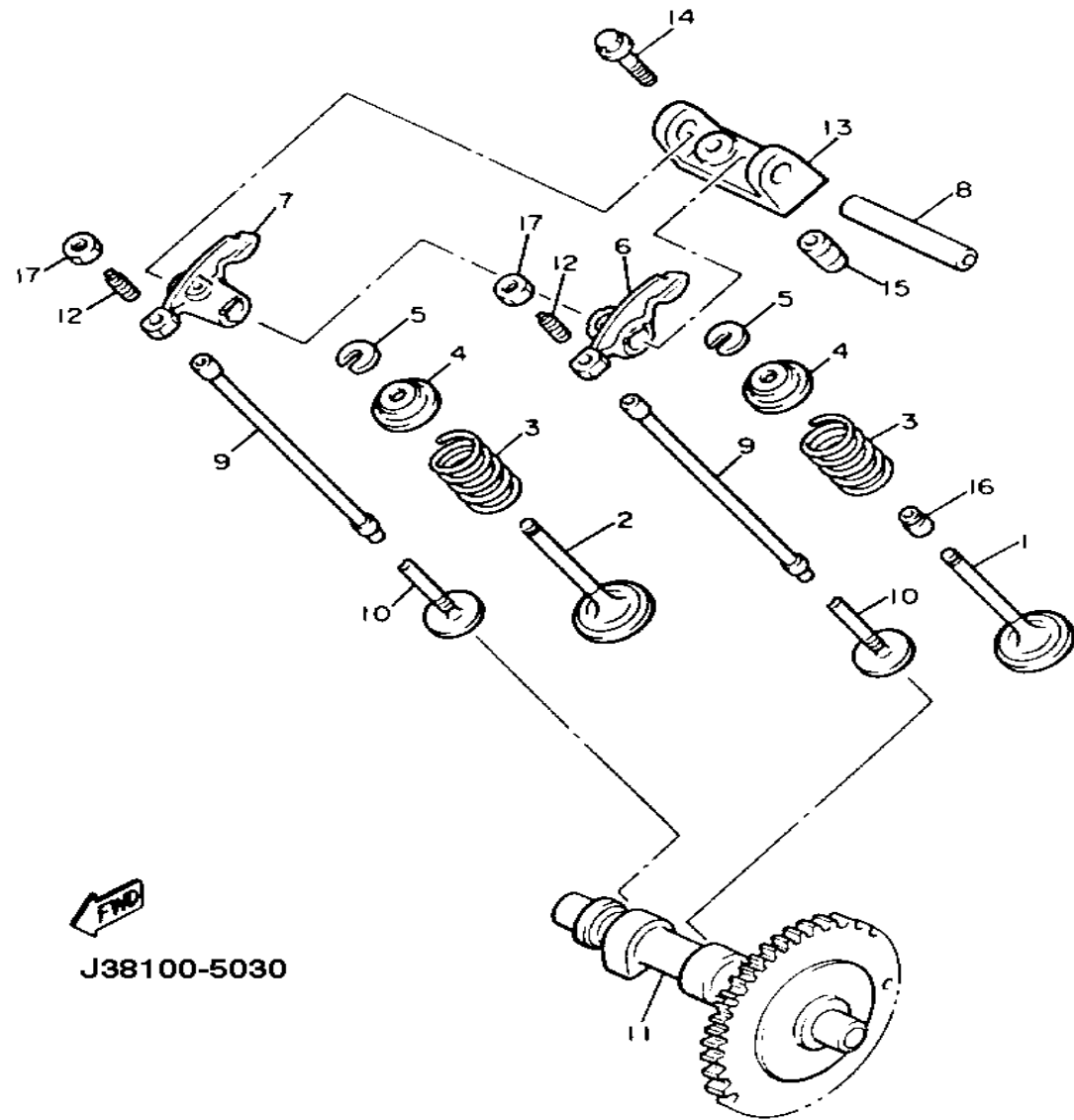
7A9-11633-00-00 PIN, PISTON.....1  
 93450-19047-00 CIRCLIP.....2

# CAMSHAFT VALVE

Ref. No.	Part Number	Description	Qty	Remarks
1	99999-01846-00	VALVE, INTAKE (J38-12111-00-00) .....	1	SEE NOTE A
2	99999-01847-00	VALVE, EXHAUST (J38-12121-00-00) .....	1	SEE NOTE A
3	90501-264A9-00	SPRING, COMPRESSION .....	2	
4	J38-12117-01-00	RETAINER, VALVE SPRING ..	2	1987 G2AB J38-020357~
	J38-12117-00-00	RETAINER, VALVE SPRING ..	2	
5	4G0-12118-00-00	COTTER, VALVE .....	2	
	J38-12118-00-00	COTTER, VALVE .....	4	1987 G2AB J38-020357~
6	J38-12151-01-00	ARM, VALVE ROCKER .....	1	
7	J38-12161-01-00	ARM, VALVE ROCKER 2 .....	1	
8	J38-12156-00-00	SHAFT, ROCKER 2 .....	1	
9	J38-12154-00-00	ROD, VALVE PUSH .....	2	
10	J38-12153-00-00	LIFTER, VALVE .....	2	
11	J38-12171-00-00	CAMSHAFT 1 .....	1	
12	J38-12159-00-00	SCREW, VALVE ADJUSTING ..	2	
13	J38-12152-00-00	SUPPORT, ROCKER ARM ....	1	
14	95811-06030-00	BOLT, FLANGE .....	2	
15	91810-09014-00	PIN, DOWEL .....	2	
16	5H0-12119-00-00	SEAL, VALVE STEM .....	1	
17	90170-06128-00	NUT .....	2	

## CONTENTS

ACCELERATOR	C3
AIR FILTER	A7-8
AIR SHROUD FAN	A6
BODY 1	D1-3
BODY 2	D4-6
BODY FITTING	D7-8
BRAKE 1	B10-12
BRAKE 2	C1
BRAKE 3	C2
BUMPER	C11-12
CAMSHAFT VALVE	A5
CARBURETOR	A9
CARRIER	D9-10
CRANKCASE	A11-12
CRANKSHAFT PISTON	A3-4
CYLINDER	A2
ELECTRICAL 1	E2
ELECTRICAL 2	E3-4
ENGINE BRACKET	B1
EXHAUST	A10
FRAME	B3
FRONT SUSPENSION WHEEL	B4-6
FUEL TANK	B9
GOVERNOR	C4
PRIMARY SHEAVE	C5
REAR AXLE WHEEL	C10
REAR SHOCKS	B2
SEAT	D11
SECONDARY SHEAVE	C6
STARTING MOTOR	D12, E1
STEERING	B7-8
TRANSMISSION	C7-9
-MODELS IN THIS CATALOG	E5



### NOTE A:

99999-01846-00 INCLUDES;

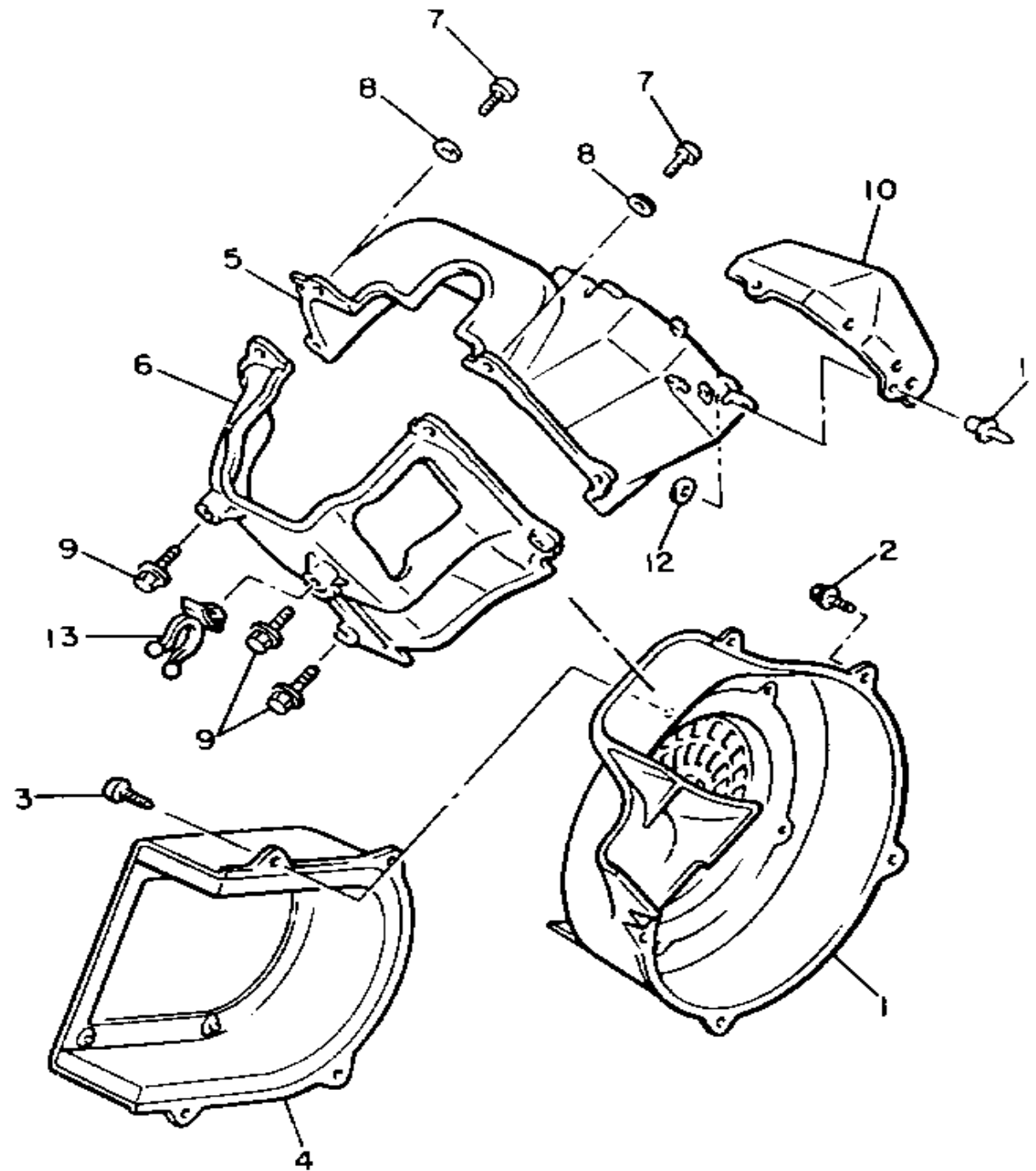
J38-12111-01-00	.VALVE, INTAKE.....	1
J38-12117-01-00	.RETAINER, VALVE SPRING.....	1
J38-12118-00-00	.COTTER, VALVE.....	2

99999-01847-00 INCLUDES;

J38-12117-01-00	.RETAINER, VALVE SPRING.....	1
J38-12118-00-00	.COTTER, VALVE.....	1
J38-12121-01-00	.VALVE, INTAKE.....	2

# AIR SHROUD FAN

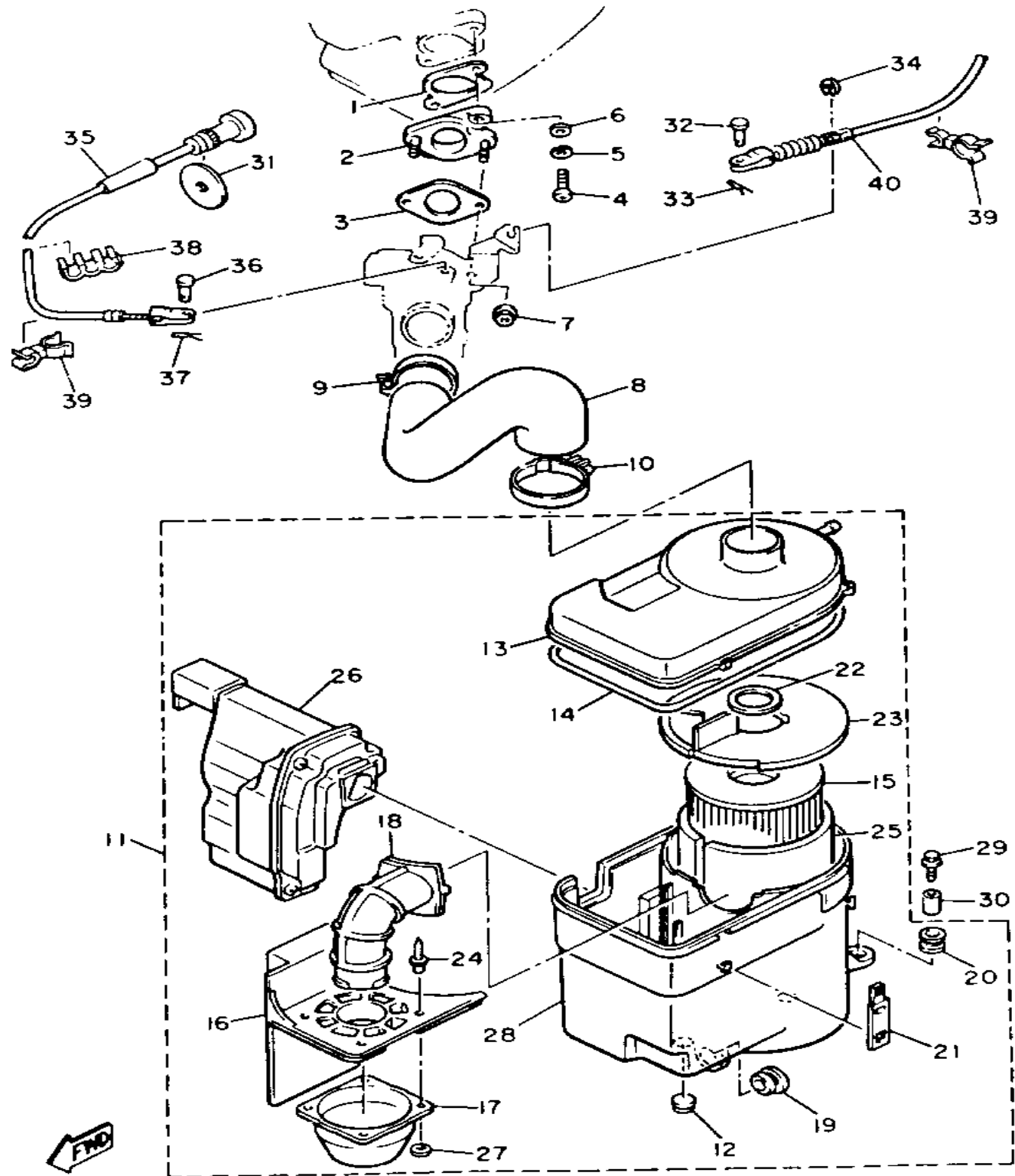
Ref. No.	Part Number	Description	Qty	Remarks
1	J38-12621-01-00	CASE, FAN .....	1	
2	95811-06020-00	BOLT, FLANGE .....	5	
3	97780-60116-00	SCREW, TAPPING .....	4	
4	J38-12640-00-00	FAN CASE COVER COMP. ...	1	
5	J38-12651-01-00	AIR SHROUD, CYLINDER 1 ...	1	
6	J38-12652-00-00	AIR SHROUD, CYLINDER 2 ...	1	
7	98503-06014-00	SCREW, PAN HEAD (92502-06016-00) .....	4	
8	92990-06600-00	WASHER, PLATE .....	4	
9	90109-06513-00	BOLT .....	4	
10	J38-12631-00-00	DEFLECTOR 1 .....	1	
11	90267-48086-00	RIVET, BLIND .....	2	
12	90201-04325-00	WASHER, PLATE .....	2	
13	90464-15093-00	CLAMP .....	1	



## CONTENTS

ACCELERATOR	C3
AIR FILTER	A7-8
AIR SHROUD FAN	A6
BODY 1	D1-3
BODY 2	D4-6
BODY FITTING	D7-8
BRAKE 1	B10-12
BRAKE 2	C1
BRAKE 3	C2
BUMPER	C11-12
CAMSHAFT VALVE	A5
CARBURETOR	A9
CARRIER	D9-10
CRANKCASE	A11-12
CRANKSHAFT PISTON	A3-4
CYLINDER	A2
ELECTRICAL 1	E2
ELECTRICAL 2	E3-4
ENGINE BRACKET	B1
EXHAUST	A10
FRAME	B3
FRONT SUSPENSION WHEEL	B4-6
FUEL TANK	B9
GOVERNOR	C4
PRIMARY SHEAVE	C5
REAR AXLE WHEEL	C10
REAR SHOCKS	B2
SEAT	D11
SECONDARY SHEAVE	C6
STARTING MOTOR	D12 ,E1
STEERING	B7-8
TRANSMISSION	C7-9
-MODELS IN THIS CATALOG	E5

# AIR FILTER



Ref. No.	Part Number	Description	Qty	Remarks
1	J38-13556-00-00	GASKET, MANIFOLD	1	
2	J38-13596-00-00	JOINT, CARBURETOR 2	1	
3	J38-13557-00-00	GASKET	1	
4	98580-06030-00	SCREW, PAN HEAD	2	
5	92995-06100-00	WASHER, SPRING	2	
6	92990-06600-00	WASHER, PLATE	2	
7	95601-06200-00	NUT, U-FLANGE	2	
8	J38-14453-01-00	JOINT, AIR CLEANER 1	1	
9	90460-43279-00	CLAMP, HOSE	1	
10	90460-53239-00	CLAMP, HOSE	1	
11	J38-14410-01-00	CASE, AIR CLEANER 1	1	
12	90480-14100-00	. GROMMET	2	
13	J38-14412-02-00	. CAP, CLEANER CASE 1	1	
14	1VJ-14462-00-00	. SEAL	1	
15	J38-14450-00-00	. ELEMENT ASSEMBLY, AIR CLEANER	1	
16	J38-14484-00-00	. PLATE, CLEANER CASE FITTING	1	
17	J38-14479-00-00	. FUNNEL	1	
18	J38-14419-00-00	. PIPE	1	
19	90480-18277-00	. GROMMET	1	
20	90480-13238-00	. GROMMET	2	
21	J10-14436-00-00	. HOOK	4	
22	J38-14416-00-00	. GASKET, AIR CLEANER	1	
23	J38-1441F-00-00	. PARTN, AIR CLEANER CASE	1	
24	90267-40073-00	. RIVET, BLIND	4	
25	J10-14417-00-00	. COVER 1	1	
26	J38-1446A-00-00	. SURGE TANK ASSEMBLY	1	
27	92990-04200-00	. WASHER, PLAIN	4	
28	J38-144110-01-00	. CASE, AIR CLEANER 1	1	
29	90119-06097-00	BOLT, WITH WASHER	2	

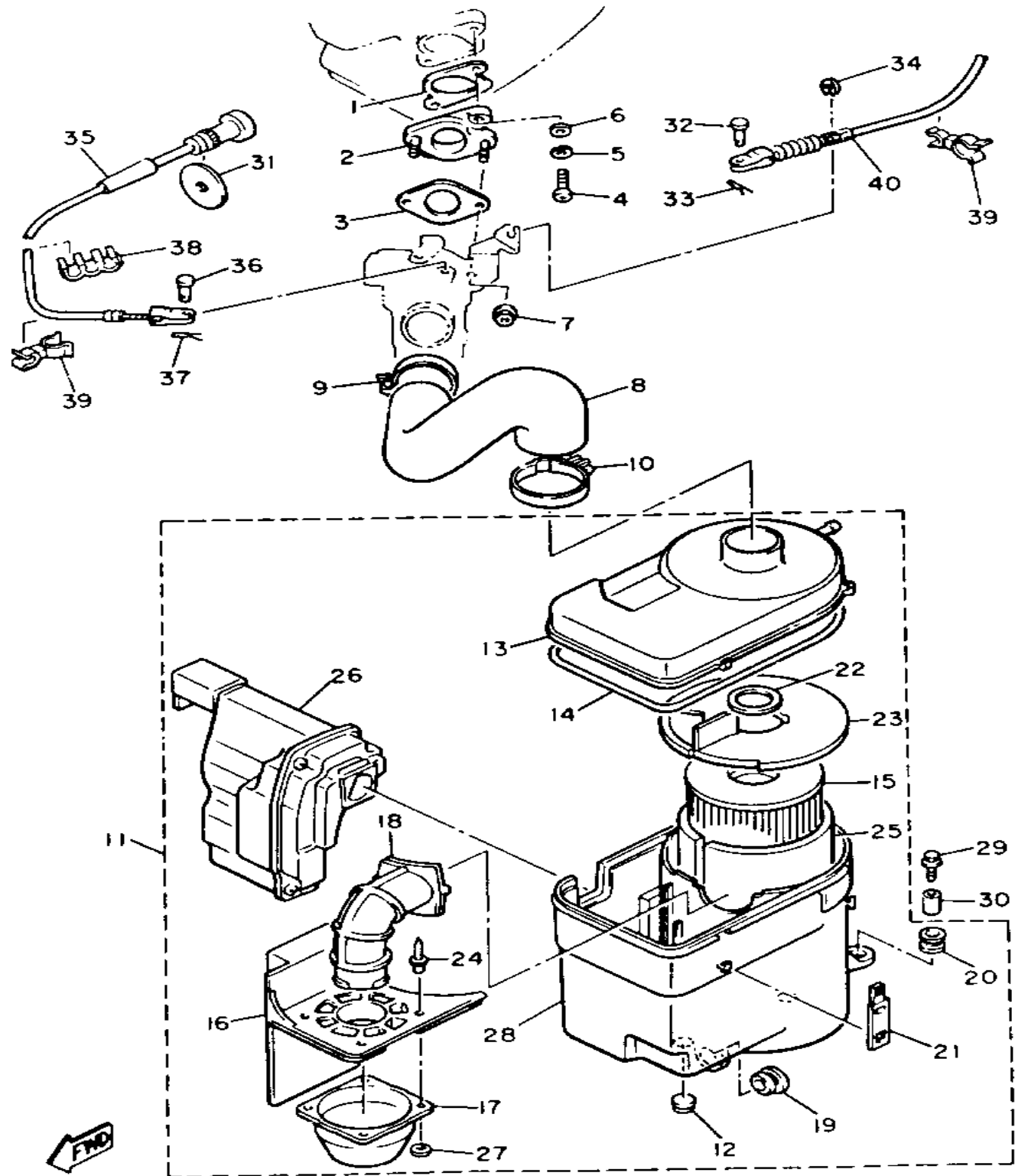
## CONTENTS

ACCELERATOR	C3
AIR FILTER	A7-8
AIR SHROUD FAN	A6
BODY 1	D1-3
BODY 2	D4-6
BODY FITTING	D7-8
BRAKE 1	B10-12
BRAKE 2	C1
BRAKE 3	C2
BUMPER	C11-12
CAMSHAFT VALVE	A5
CARBURETOR	A9
CARRIER	D9-10
CRANKCASE	A11-12
CRANKSHAFT PISTON	A3-4
CYLINDER	A2
ELECTRICAL 1	E2
ELECTRICAL 2	E3-4
ENGINE BRACKET	B1
EXHAUST	A10
FRAME	B3
FRONT SUSPENSION WHEEL	B4-6
FUEL TANK	B9
GOVERNOR	C4
PRIMARY SHEAVE	C5
REAR AXLE WHEEL	C10
REAR SHOCKS	B2
SEAT	D11
SECONDARY SHEAVE	C6
STARTING MOTOR	D12, E1
STEERING	B7-8
TRANSMISSION	C7-9
-MODELS IN THIS CATALOG	E5

CONTINUED ON NEXT FRAME ►

J38110-5050

# AIR FILTER



Ref. No.	Part Number	Description	Qty	Remarks
30	90387-07390-00	COLLAR	2	
31	90201-114E6-00	WASHER, PLATE	1	
32	91701-05010-00	PIN, CLEVIS	2	
33	90468-10050-00	CLIP	2	
34	99080-07600-00	CIRCLIP (E)	1	
35	JF2-F6331-00-00	CABLE, STARTER 1	1	
36	91701-05010-00	PIN, CLEVIS	1	
37	90468-10050-00	CLIP	1	
38	90468-07179-00	CLIP	1	
39	90464-20096-00	CLAMP (J38)	2	
40	J38-26312-00-00	CABLE, THROTTLE 2	1	

## CONTENTS

ACCELERATOR	C3
AIR FILTER	A7-8
AIR SHROUD FAN	A6
BODY 1	D1-3
BODY 2	D4-6
BODY FITTING	D7-8
BRAKE 1	B10-12
BRAKE 2	C1
BRAKE 3	C2
BUMPER	C11-12
CAMSHAFT VALVE	A5
CARBURETOR	A9
CARRIER	D9-10
CRANKCASE	A11-12
CRANKSHAFT PISTON	A3-4
CYLINDER	A2
ELECTRICAL 1	E2
ELECTRICAL 2	E3-4
ENGINE BRACKET	B1
EXHAUST	A10
FRAME	B3
FRONT SUSPENSION WHEEL	B4-6
FUEL TANK	B9
GOVERNOR	C4
PRIMARY SHEAVE	C5
REAR AXLE WHEEL	C10
REAR SHOCKS	B2
SEAT	D11
SECONDARY SHEAVE	C6
STARTING MOTOR	D12, E1
STEERING	B7-8
TRANSMISSION	C7-9
-MODELS IN THIS CATALOG	E5

J38110-5050

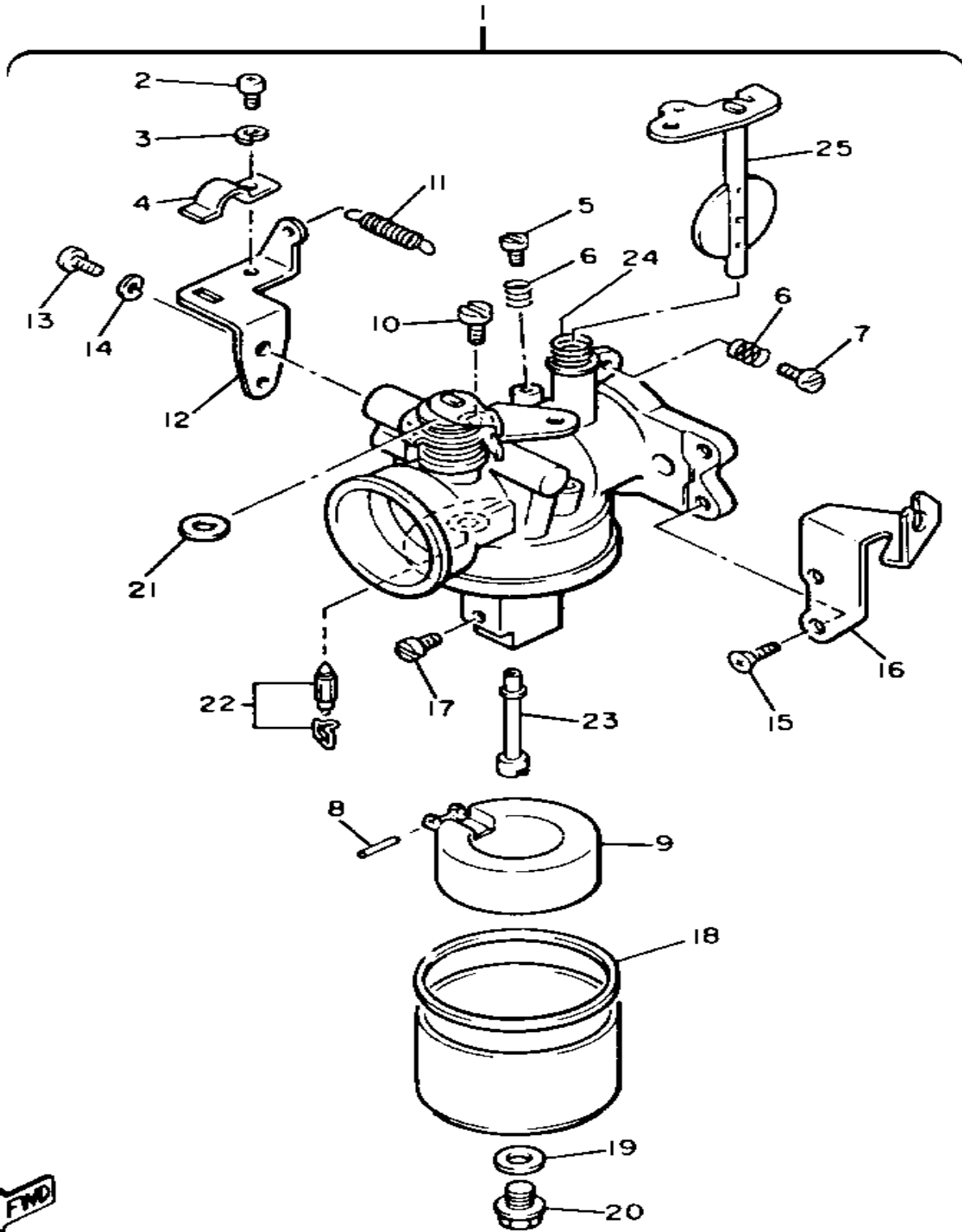


# CARBURETOR

Ref. No.	Part Number	Description	Qty	Remarks
1	J38-14101-00-00	CARBURETOR ASSEMBLY 1	1	
2	98501-05010-00	. SCREW, PAN HEAD	1	
3	92990-05100-00	. WASHER, SPRING	1	
4	J38-14243-00-00	. PLATE	1	
5	75G-14211-00-00	. SCREW, PILOT ADJUSTING	1	
6	620-14212-00-00	. SPRING, PILOT ADJUSTING	2	
7	J10-14122-00-00	. SCREW, THROTTLE	1	
8	J38-14186-00-00	. PIN, FLOAT	1	
9	J38-14185-00-00	. FLOAT	1	
10	620-14142-72-00	. JET, PILOT (#72.5)	1	U.R. STD
	620-14142-67-00	. JET, PILOT (#67.5)	1	ALTERNATE PART
11	J38-14133-00-00	. SPRING, THROTTLE STOP	1	
12	J38-14581-00-00	. BRACKET	1	
13	98580-06010-00	. SCREW, PAN HEAD (92503-06010-00)	1	
14	92995-06100-00	. WASHER, SPRING	1	
15	98701-05008-00	. SCREW, FLAT HEAD	2	
16	J38-14291-00-00	. BRACKET 1	1	
17	3G2-1423E-41-00	. JET, MAIN (#103.8)	1	ALTERNATE PART
	3G2-1423E-42-00	. JET, MAIN (#106.3)	1	U.R. STD
18	796-14184-00-00	. GASKET, FLOAT CHAMBER	1	
19	127-14198-00-00	. GASKET	1	
20	7R1-14162-00-00	. BOLT, HOLDING	1	
21	J10-14597-00-00	. WASHER	1	
22	J38-14150-00-00	. NEEDLE ASSEMBLY	1	
23	J38-14141-00-00	. NOZZLE, MAIN	1	
24	J10-14131-00-00	. SPRING, THROTTLE	1	
25	J38-14202-09-00	. THROTTLE LEVER COMP	1	

## CONTENTS

ACCELERATOR	C3
AIR FILTER	A7-8
AIR SHROUD FAN	A6
BODY 1	D1-3
BODY 2	D4-6
BODY FITTING	D7-8
BRAKE 1	B10-12
BRAKE 2	C1
BRAKE 3	C2
BUMPER	C11-12
CAMSHAFT VALVE	A5
CARBURETOR	A9
CARRIER	D9-10
CRANKCASE	A11-12
CRANKSHAFT PISTON	A3-4
CYLINDER	A2
ELECTRICAL 1	E2
ELECTRICAL 2	E3-4
ENGINE BRACKET	B1
EXHAUST	A10
FRAME	B3
FRONT SUSPENSION WHEEL	B4-6
FUEL TANK	B9
GOVERNOR	C4
PRIMARY SHEAVE	C5
REAR AXLE WHEEL	C10
REAR SHOCKS	B2
SEAT	D11
SECONDARY SHEAVE	C6
STARTING MOTOR	D12, E1
STEERING	B7-8
TRANSMISSION	C7-9
-MODELS IN THIS CATALOG	E5



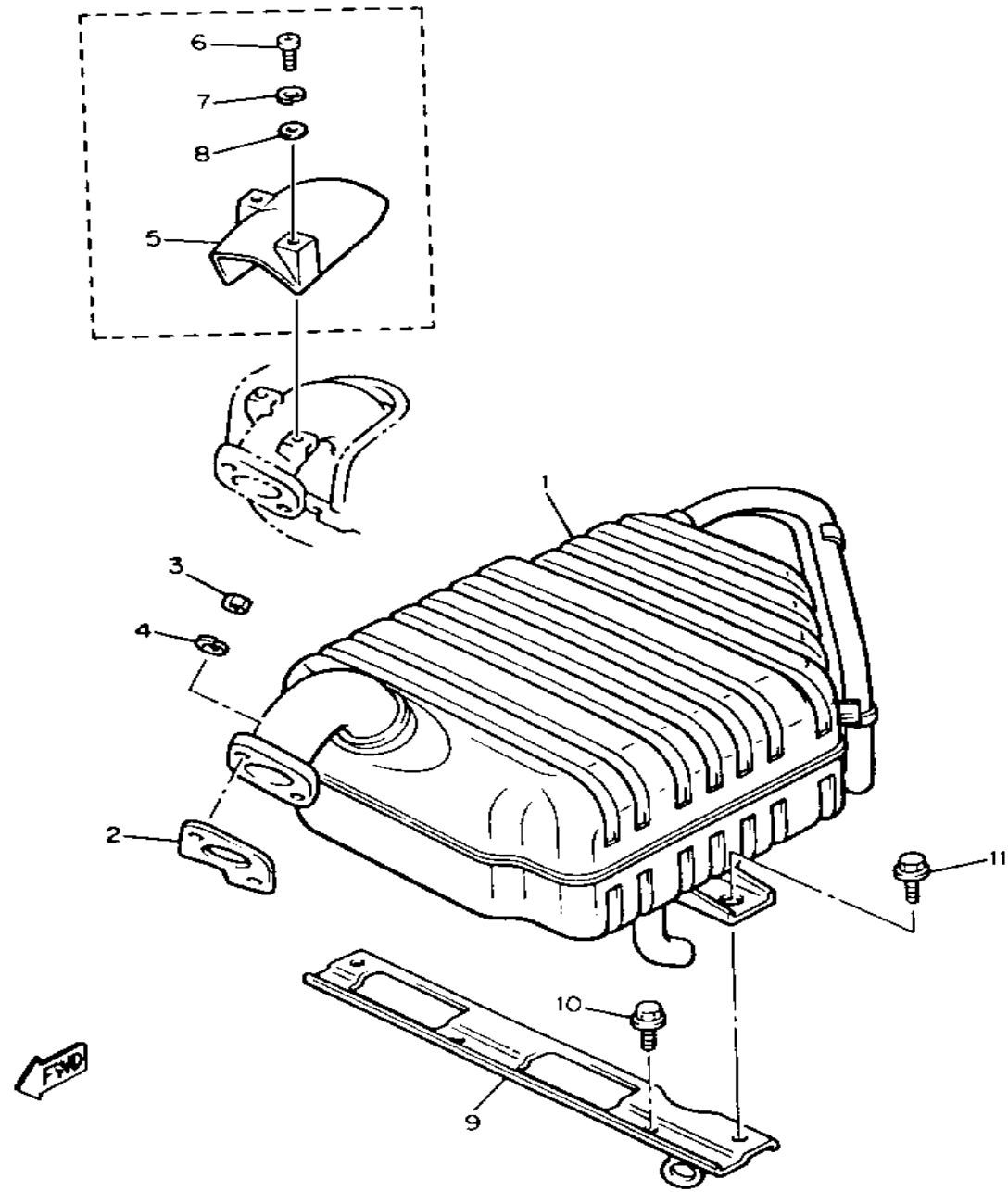
J38100-8060

# EXHAUST

Ref. No.	Part Number	Description	Qty	Remarks
1	J55-E4710-01-00	MUFFLER ASSEMBLY 1	1	SEE NOTE A
2	J38-14613-01-00	GASKET, EXHAUST PIPE	1	
3	95380-08600-00	NUT	2	
4	92990-08100-00	WASHER, SPRING	2	
5	J38-14738-00-00	PROTECTOR, MUFFLER 3	1	NOT NEEDED WITH J55 ASSY
6	98580-06012-00	SCREW, PAN HEAD (92501-06012-00)	2	NOT NEEDED WITH J55 ASSY
7	92995-06100-00	WASHER, SPRING	2	NOT NEEDED WITH J55 ASSY
8	92990-06600-00	WASHER, PLATE	2	NOT NEEDED WITH J55 ASSY
9	J38-14771-00-00	STAY, MUFFLER 1	1	
10	95026-10020-00	BOLT, FLANGE	2	
11	90119-08119-00	BOLT, WITH WASHER	2	

## CONTENTS

ACCELERATOR	C3
AIR FILTER	A7-8
AIR SHROUD FAN	A6
BODY 1	D1-3
BODY 2	D4-6
BODY FITTING	D7-8
BRAKE 1	B10-12
BRAKE 2	C1
BRAKE 3	C2
BUMPER	C11-12
CAMSHAFT VALVE	A5
CARBURETOR	A9
CARRIER	D9-10
CRANKCASE	A11-12
CRANKSHAFT PISTON	A3-4
CYLINDER	A2
ELECTRICAL 1	E2
ELECTRICAL 2	E3-4
ENGINE BRACKET	B1
EXHAUST	A10
FRAME	B3
FRONT SUSPENSION WHEEL	B4-6
FUEL TANK	B9
GOVERNOR	C4
PRIMARY SHEAVE	C5
REAR AXLE WHEEL	C10
REAR SHOCKS	B2
SEAT	D11
SECONDARY SHEAVE	C6
STARTING MOTOR	D12, E1
STEERING	B7-8
TRANSMISSION	C7-9
-MODELS IN THIS CATALOG	E5



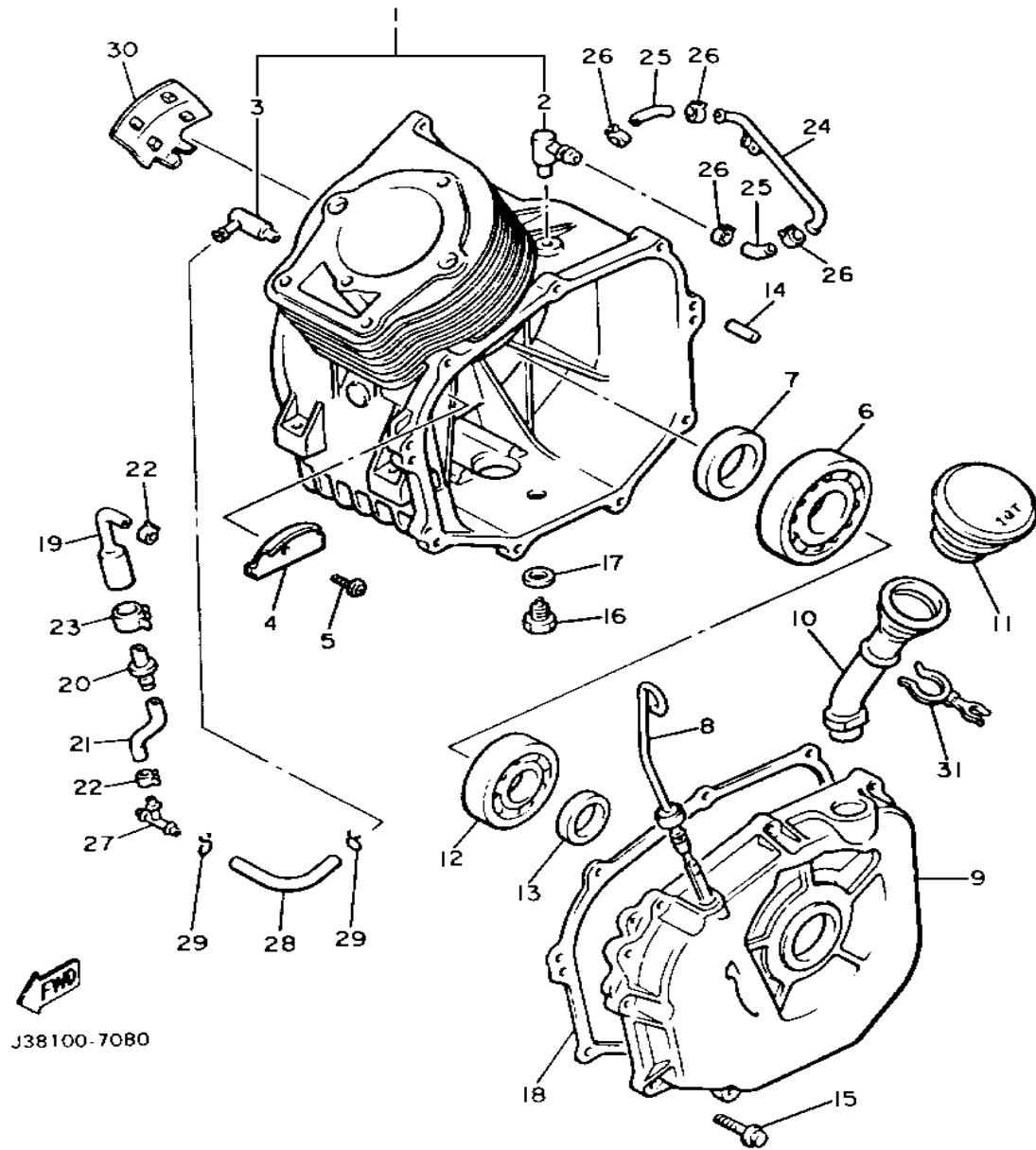
**NOTE A:** The J55-E4710-01-00 replacement Muffler Assy has a “can” shape instead of the “flat” shape shown above. The J55-E4710-01-00 Muffler Assy includes mounting instructions that must be followed to prevent muffler failure.

# CRANKCASE

Ref. No.	Part Number	Description	Qty	Remarks
1	99999-01972-00	CRANKCASE ASSY (J38-15100-00-00)	1	SEE NOTE A
2	J38-15148-00-00	. NOZZLE 2	1	
3	J38-15155-00-00	. NOZZLE 3	1	
4	J38-15123-00-00	PLATE, BUFFLE 1	1	
5	90159-05117-00	SCREW, WITH WASHER	1	
6	93306-30709-00	BEARING	1	
7	93102-35191-00	OIL SEAL	1	
8	J38-15361-00-00	GAUGE, LEVEL	1	
9	99999-01974-00	COVER, CRANKCASE ASSY	1	SEE NOTE B
10	J38-15112-00-00	PIPE, OIL	1	
11	J38-15363-00-00	PLUG, OIL	1	
12	93306-30621-00	BEARING	1	
13	93102-30195-00	OIL SEAL	1	
14	93608-12063-00	PIN, DOWEL	2	
15	95811-08035-00	BOLT, FLANGE (95821-08035-00)	9	
16	90340-12097-00	PLUG, STRAIGHT SCREW	1	
17	90430-12199-00	GASKET	1	
18	J38-15451-00-00	GASKET, CRANKCASE COVER 1	1	
19	J38-14388-00-00	VALVE, VACUUM CONTROL	1	
20	J38-13115-00-00	CONNECTOR, SUCTION PIPE	1	
21	90445-113E4-00	HOSE	1	
22	90467-10008-00	CLIP	2	
23	90468-08104-00	CLIP	1	
24	J38-13161-00-00	PIPE, DELIVERY 1	1	
25	90445-110E6-00	HOSE	2	
26	90467-10008-00	CLIP	4	
27	807-24376-00-00	PIPE, JOINT 1	1	
28	90445-09073-00	HOSE	1	

## CONTENTS

ACCELERATOR	C3
AIR FILTER	A7-8
AIR SHROUD FAN	A6
BODY 1	D1-3
BODY 2	D4-6
BODY FITTING	D7-8
BRAKE 1	B10-12
BRAKE 2	C1
BRAKE 3	C2
BUMPER	C11-12
CAMSHAFT VALVE	A5
CARBURETOR	A9
CARRIER	D9-10
CRANKCASE	A11-12
CRANKSHAFT PISTON	A3-4
CYLINDER	A2
ELECTRICAL 1	E2
ELECTRICAL 2	E3-4
ENGINE BRACKET	B1
EXHAUST	A10
FRAME	B3
FRONT SUSPENSION WHEEL	B4-6
FUEL TANK	B9
GOVERNOR	C4
PRIMARY SHEAVE	C5
REAR AXLE WHEEL	C10
REAR SHOCKS	B2
SEAT	D11
SECONDARY SHEAVE	C6
STARTING MOTOR	D12, E1
STEERING	B7-8
TRANSMISSION	C7-9
-MODELS IN THIS CATALOG	E5



NOTE A: Includes, J38-15100-02-00 CASE ASSY, 95021-10040-00 BOLT & 90387-155R3 COLLAR.

NOTE B: Includes, J38-15411-01-00 COVER, CRANKCASE 1 & 90387-155R3-00 COLLAR.

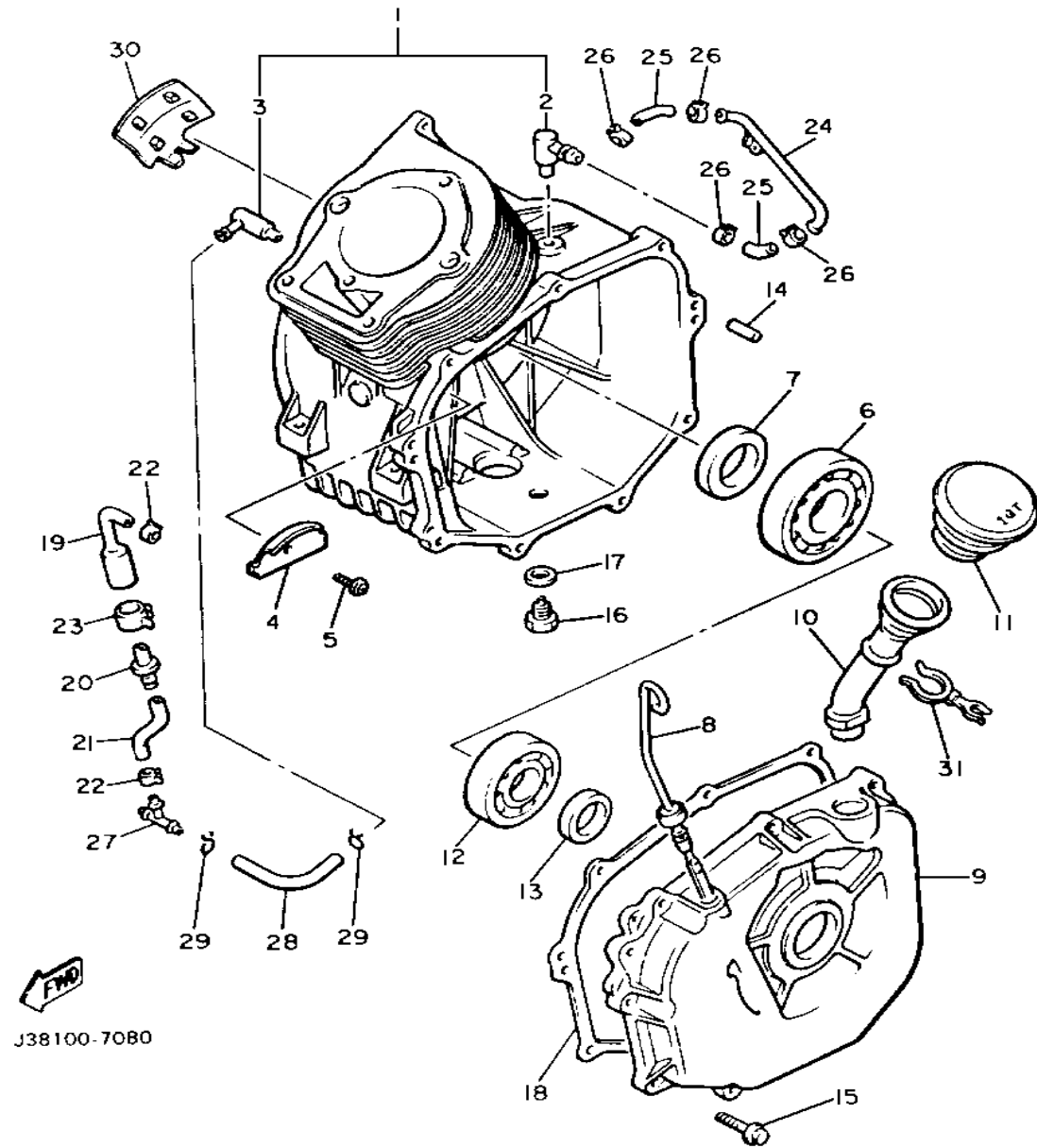
CONTINUED ON NEXT FRAME ►

# CRANKCASE

Ref. No.	Part Number	Description	Qty	Remarks
29	90467-08017-00	CLIP .....	2	
30	J38-11355-00-00	SEAL, CYLINDER 1 .....	1	
31	90464-26114-00	CLAMP .....	1	

## CONTENTS

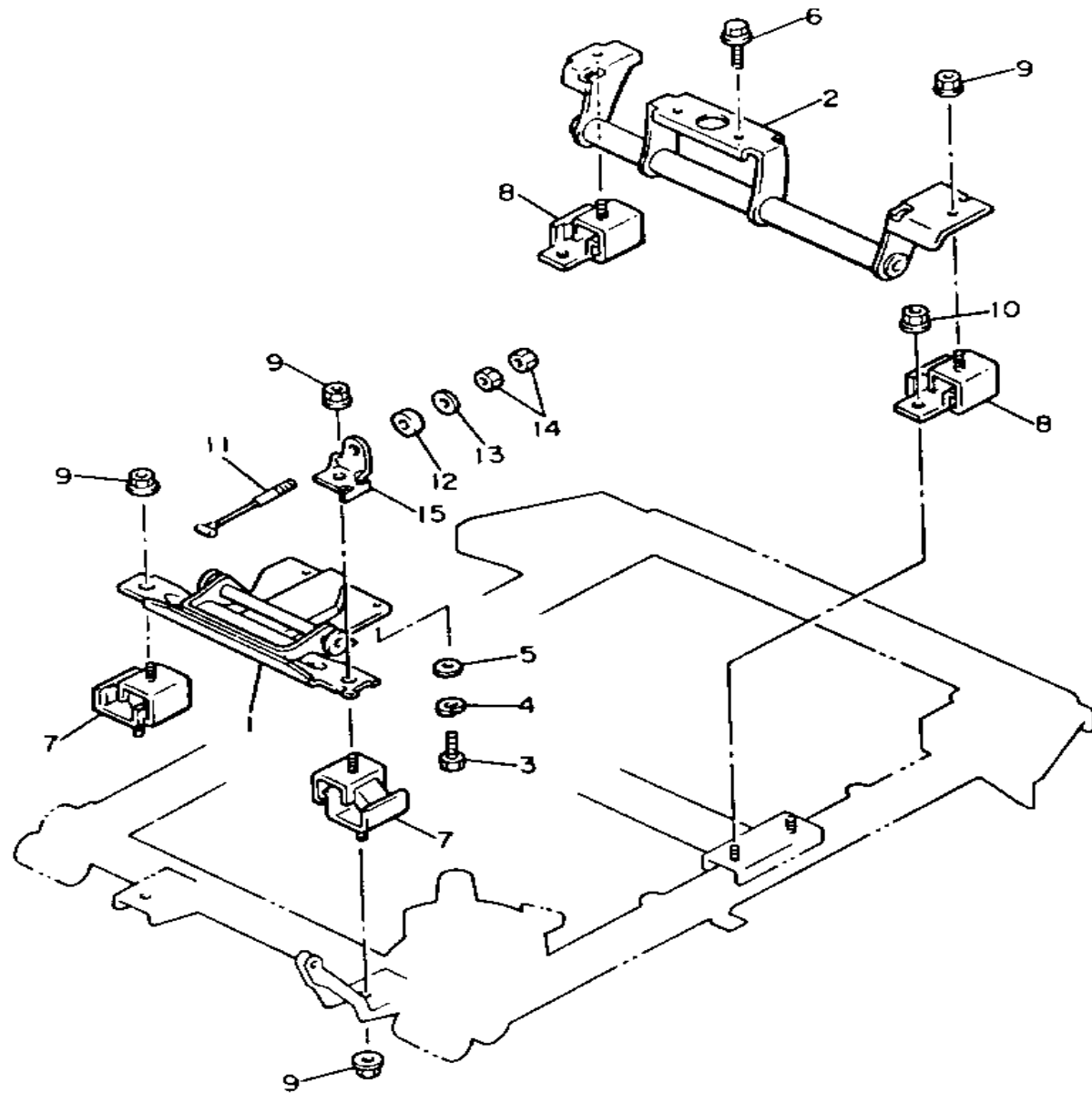
ACCELERATOR	C3
AIR FILTER	A7-8
AIR SHROUD FAN	A6
BODY 1	D1-3
BODY 2	D4-6
BODY FITTING	D7-8
BRAKE 1	B10-12
BRAKE 2	C1
BRAKE 3	C2
BUMPER	C11-12
CAMSHAFT VALVE	A5
CARBURETOR	A9
CARRIER	D9-10
CRANKCASE	A11-12
CRANKSHAFT PISTON	A3-4
CYLINDER	A2
ELECTRICAL 1	E2
ELECTRICAL 2	E3-4
ENGINE BRACKET	B1
EXHAUST	A10
FRAME	B3
FRONT SUSPENSION WHEEL	B4-6
FUEL TANK	B9
GOVERNOR	C4
PRIMARY SHEAVE	C5
REAR AXLE WHEEL	C10
REAR SHOCKS	B2
SEAT	D11
SECONDARY SHEAVE	C6
STARTING MOTOR	D12 ,E1
STEERING	B7-8
TRANSMISSION	C7-9
-MODELS IN THIS CATALOG	E5



NOTE A: Includes, J38-15100-02-00 CASE ASSY, 95021-10040-00 BOLT & 90387-155R3 COLLAR.

NOTE B: Includes, J38-15411-01-00 COVER, CRANKCASE 1 & 90387-155R3-00 COLLAR.

# ENGINE BRACKET



Ref. No.	Part Number	Description	Qty	Remarks
1	J38-21411-02-00	BRACKET, ENGINE 1	1	
2	J55-F1419-00-00	BRACKET, ENGINE 2	1	
3	97011-10025-00	BOLT	2	
4	92901-10100-00	WASHER, SPRING	2	
5	92990-10600-00	WASHER, PLATE	2	
6	95021-10040-00	BOLT, FLANGE	2	
7	J38-21486-00-00	DAMPER 2	2	
8	J38-21488-00-00	DAMPER	2	
9	95701-10500-00	NUT, FLANGE (95702-10500-00)	6	
10	95701-08500-00	NUT, FLANGE (95702-08500-00)	4	
11	J31-2217J-01-00	TENSIONER 1	1	
12	J17-2214F-00-00	DAMPER 1	1	
13	90201-06778-00	WASHER, PLATE	1	
14	95380-06600-00	NUT, HEXAGON	2	
15	J38-2141A-00-00	BRACKET 1	1	

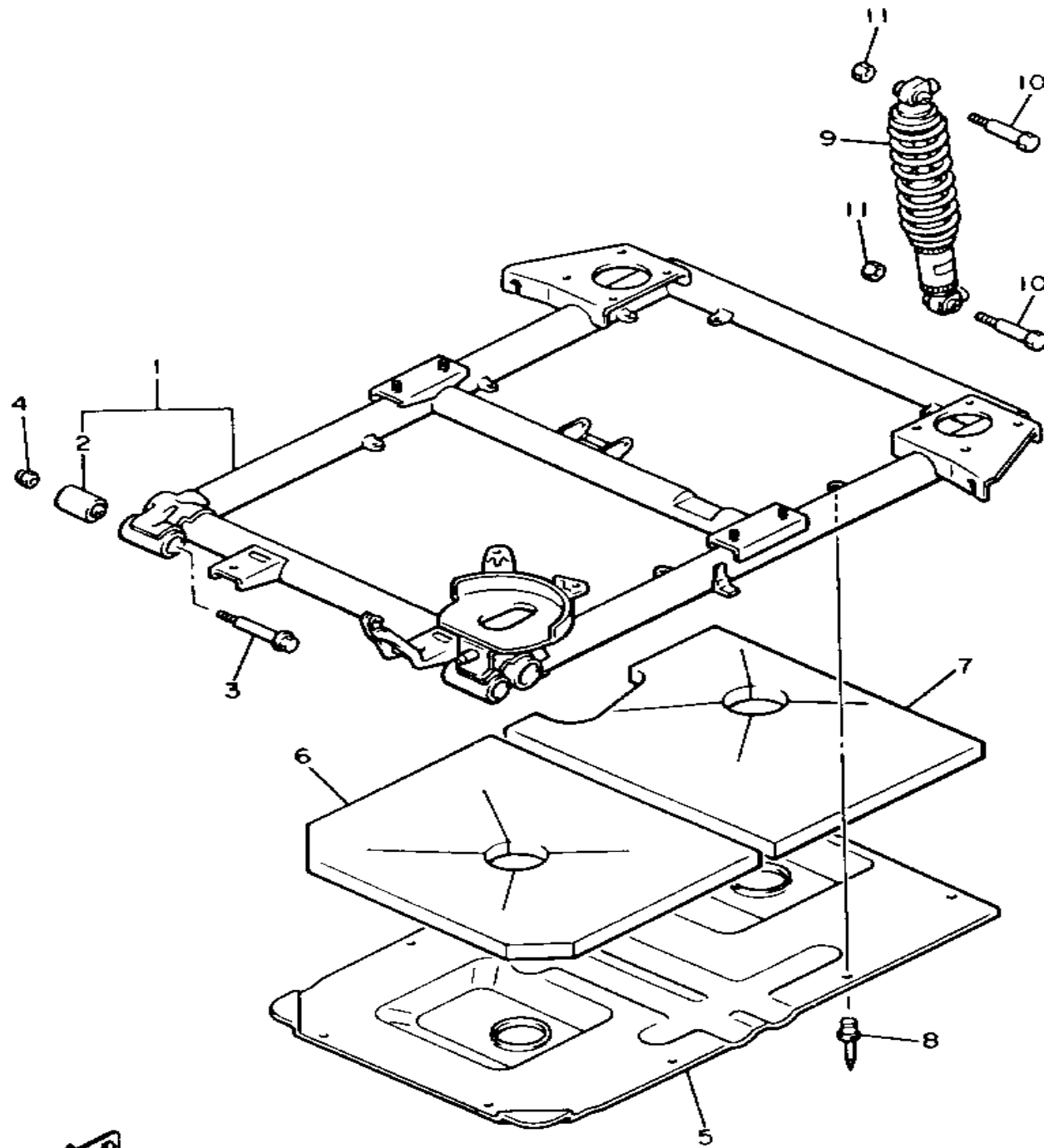
## CONTENTS

ACCELERATOR	C3
AIR FILTER	A7-8
AIR SHROUD FAN	A6
BODY 1	D1-3
BODY 2	D4-6
BODY FITTING	D7-8
BRAKE 1	B10-12
BRAKE 2	C1
BRAKE 3	C2
BUMPER	C11-12
CAMSHAFT VALVE	A5
CARBURETOR	A9
CARRIER	D9-10
CRANKCASE	A11-12
CRANKSHAFT PISTON	A3-4
CYLINDER	A2
ELECTRICAL 1	E2
ELECTRICAL 2	E3-4
ENGINE BRACKET	B1
EXHAUST	A10
FRAME	B3
FRONT SUSPENSION WHEEL	B4-6
FUEL TANK	B9
GOVERNOR	C4
PRIMARY SHEAVE	C5
REAR AXLE WHEEL	C10
REAR SHOCKS	B2
SEAT	D11
SECONDARY SHEAVE	C6
STARTING MOTOR	D12, E1
STEERING	B7-8
TRANSMISSION	C7-9
-MODELS IN THIS CATALOG	E5



J38100-8090

# REAR SHOCKS



Ref. No.	Part Number	Description	Qty	Remarks
1	J55-F2110-W0-00	REAR ARM COMP. ....	1	
2	J10-22123-00-00	. BUSH 1 .....	2	
3	90105-10359-00	BOLT, WASHER BASED .....	2	
4	90185-10115-00	NUT, SELF-LOCKING .....	2	
5	J38-22128-00-00	COVER, THRUST 1 .....	1	
6	J55-F211E-00-00	PANEL, INNER 1 .....	1	
7	J55-F211G-00-00	PANEL, INNER 2 .....	1	
8	90267-40127-00	RIVET, BLIND .....	9	
9	JG5-F2210-00-00	SHOCK ABSORBER ASSEMBLY .....	2	
10	97313-10050-00	BOLT, HEXAGON (676) .....	4	
11	95601-10100-00	NUT, U (95602-10100-00) .....	4	

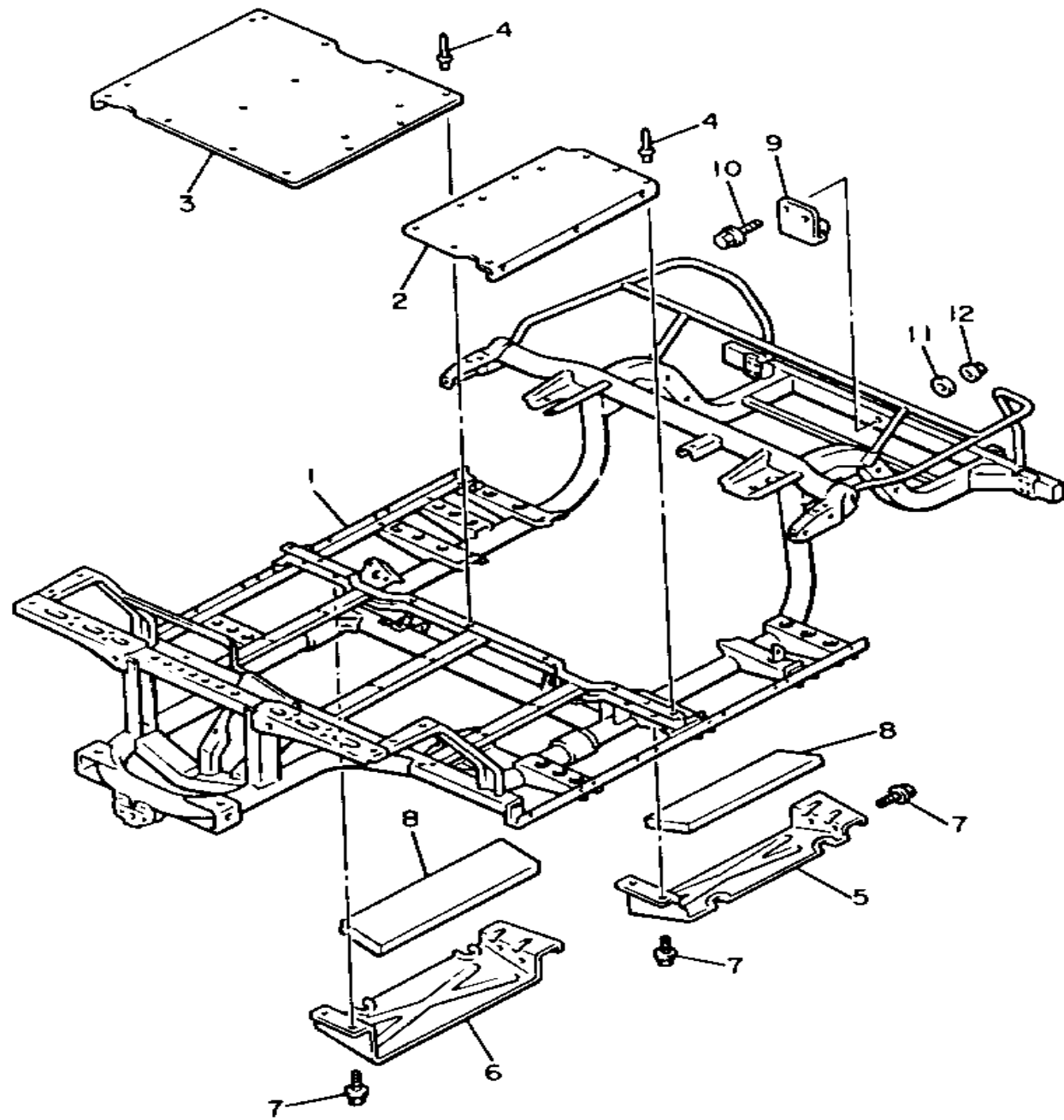
## CONTENTS

ACCELERATOR	C3
AIR FILTER	A7-8
AIR SHROUD FAN	A6
BODY 1	D1-3
BODY 2	D4-6
BODY FITTING	D7-8
BRAKE 1	B10-12
BRAKE 2	C1
BRAKE 3	C2
BUMPER	C11-12
CAMSHAFT VALVE	A5
CARBURETOR	A9
CARRIER	D9-10
CRANKCASE	A11-12
CRANKSHAFT PISTON	A3-4
CYLINDER	A2
ELECTRICAL 1	E2
ELECTRICAL 2	E3-4
ENGINE BRACKET	B1
EXHAUST	A10
FRAME	B3
FRONT SUSPENSION WHEEL	B4-6
FUEL TANK	B9
GOVERNOR	C4
PRIMARY SHEAVE	C5
REAR AXLE WHEEL	C10
REAR SHOCKS	B2
SEAT	D11
SECONDARY SHEAVE	C6
STARTING MOTOR	D12, E1
STEERING	B7-8
TRANSMISSION	C7-9
-MODELS IN THIS CATALOG	E5



J38110-5100

# FRAME



Ref. No.	Part Number	Description	Qty	Remarks
1	J55-F2501-00-00	FRAME .....	1	
2	J55-F2571-00-00	PANEL 1 .....	1	
3	J55-F2572-00-00	PANEL 2 .....	1	
4	90267-40054-00	RIVET, BLIND .....	20	
5	J38-22592-00-00	PLATE 1 .....	1	
6	J38-22593-00-00	PLATE 2 .....	1	
7	95801-06010-00	BOLT, FLANGE .....	8	
8	J55-K825H-00-00	PAD, SILENCER 4 .....	2	
9	ABA-JF286-00-00	REAR HITCH .....	1	
10	95811-08050-00	BOLT, FLANGE (95823-08050-00) .....	2	
11	90201-08730-00	WASHER, PLATE .....	2	
12	95701-08500-00	NUT, FLANGE (95702-08500-00) .....	2	

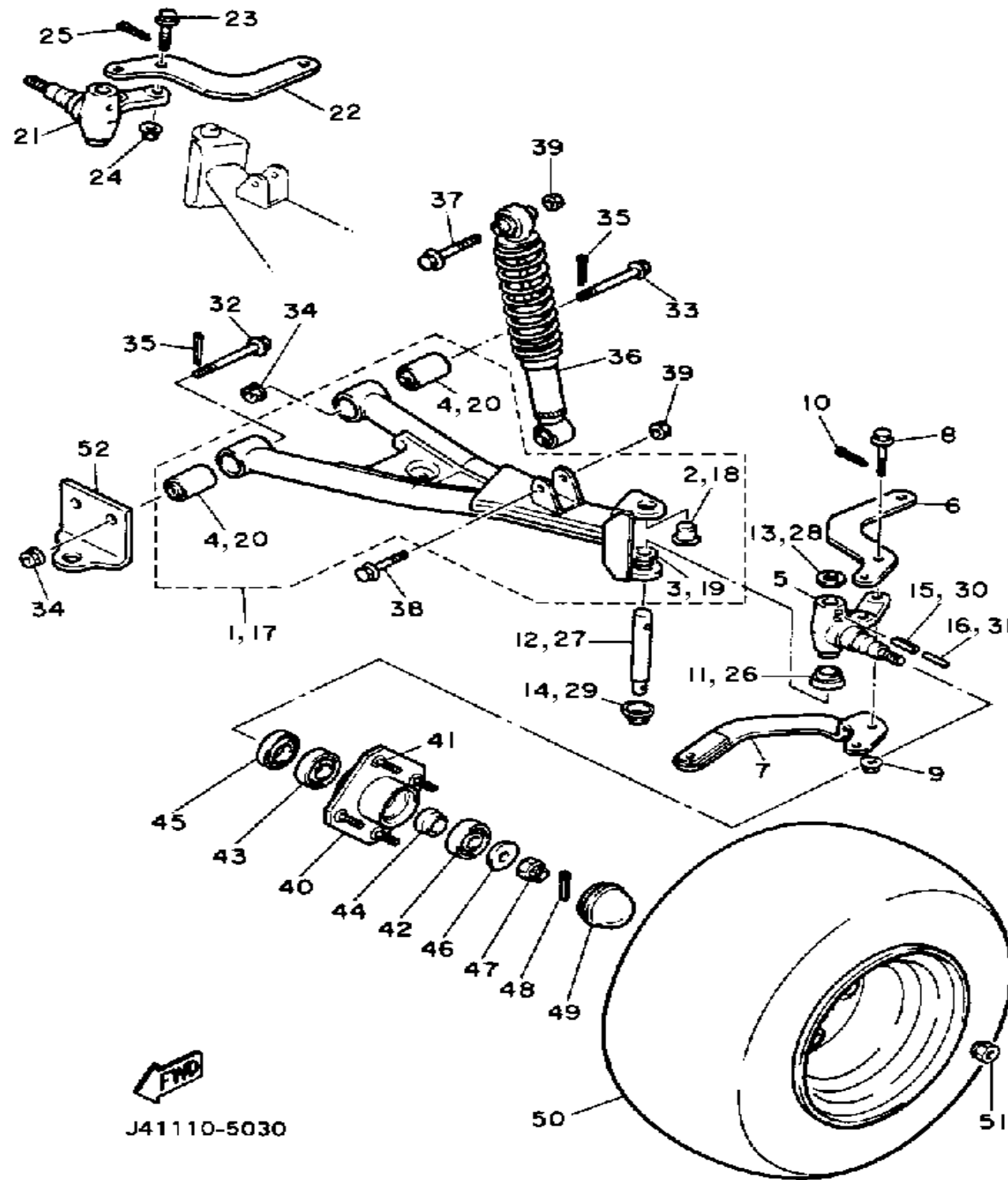
## CONTENTS

ACCELERATOR	C3
AIR FILTER	A7-8
AIR SHROUD FAN	A6
BODY 1	D1-3
BODY 2	D4-6
BODY FITTING	D7-8
BRAKE 1	B10-12
BRAKE 2	C1
BRAKE 3	C2
BUMPER	C11-12
CAMSHAFT VALVE	A5
CARBURETOR	A9
CARRIER	D9-10
CRANKCASE	A11-12
CRANKSHAFT PISTON	A3-4
CYLINDER	A2
ELECTRICAL 1	E2
ELECTRICAL 2	E3-4
ENGINE BRACKET	B1
EXHAUST	A10
FRAME	B3
FRONT SUSPENSION WHEEL	B4-6
FUEL TANK	B9
GOVERNOR	C4
PRIMARY SHEAVE	C5
REAR AXLE WHEEL	C10
REAR SHOCKS	B2
SEAT	D11
SECONDARY SHEAVE	C6
STARTING MOTOR	D12, E1
STEERING	B7-8
TRANSMISSION	C7-9
-MODELS IN THIS CATALOG	E5



J38110-5111

# FRONT SUSPENSION WHEEL



Ref. No.	Part Number	Description	Qty	Remarks
1	J38-23507-01-00	FRONT LOWER ARM SUB-ASSY (L.H) (J38-23507-00-00)	1	
2	90338-17225-00	. PLUG, STRAIGHT	1	
3	90386-15139-00	. BUSH	1	
4	J38-23526-00-00	. BUSH	2	
5	J38-23511-01-00	KNUCKLE, STEERING 1	1	
6	J38-23512-02-00	ARM, KNUCKLE 1	1	
7	ABA-JF288-00-00	ARM, STEERING (J41-23532-00-00)	1	
8	90105-10366-00	BOLT, WASHER BASED	2	
9	90185-10115-00	NUT, SELF-LOCKING	2	
10	91401-25020-00	PIN, COTTER	2	
11	J38-23527-00-00	SEAL, DUST	1	
12	J38-23516-00-00	PIN, STEERING KNUCKLE	1	
13	90201-156J2-00	WASHER, PLAIN	1	
14	J38-23528-00-00	SEAL, DUST	1	
15	91609-60028-00	PIN, SPRING	1	
16	91609-35028-00	PIN, SPRING	1	
17	J38-23508-01-00	FRONT LOWER ARM SUB-ASSY (R.H) (J38-23508-00-00)	1	
18	90338-17225-00	. PLUG, STRAIGHT	1	
19	90386-15139-00	. BUSH	1	
20	J38-23526-00-00	. BUSH	2	
21	J38-23521-01-00	KNUCKLE, STEERING 2	1	
22	J38-23512-02-00	ARM, KNUCKLE 1	1	
23	90105-10360-00	BOLT, FLANGE	2	
24	90185-10115-00	NUT, SELF-LOCKING	2	
25	91401-25020-00	PIN, COTTER	2	
26	J38-23527-00-00	SEAL, DUST	1	
27	J38-23516-00-00	PIN, STEERING KNUCKLE	1	
28	90201-156J2-00	WASHER, PLAIN	1	

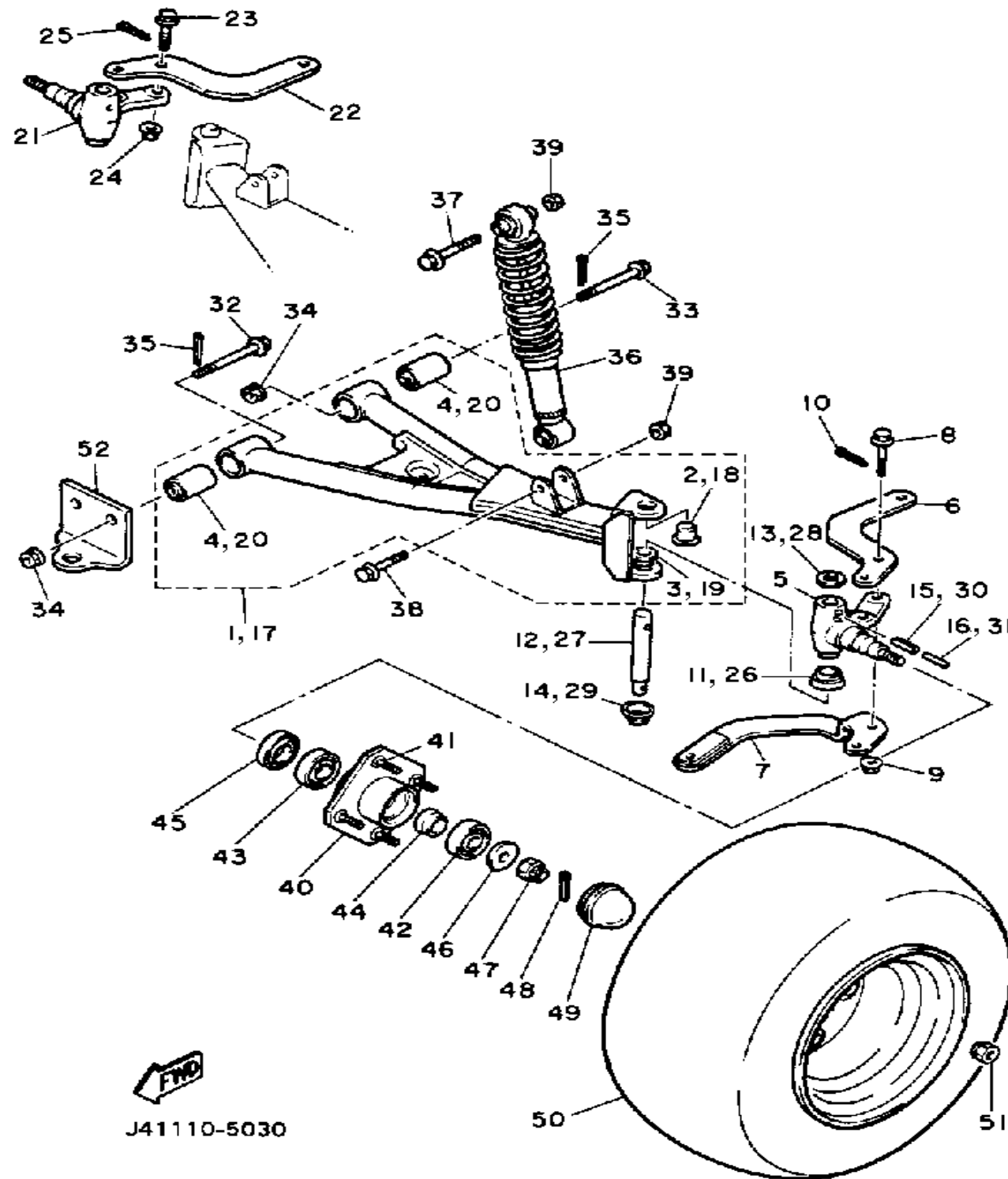
## CONTENTS

ACCELERATOR	C3
AIR FILTER	A7-8
AIR SHROUD FAN	A6
BODY 1	D1-3
BODY 2	D4-6
BODY FITTING	D7-8
BRAKE 1	B10-12
BRAKE 2	C1
BRAKE 3	C2
BUMPER	C11-12
CAMSHAFT VALVE	A5
CARBURETOR	A9
CARRIER	D9-10
CRANKCASE	A11-12
CRANKSHAFT PISTON	A3-4
CYLINDER	A2
ELECTRICAL 1	E2
ELECTRICAL 2	E3-4
ENGINE BRACKET	B1
EXHAUST	A10
FRAME	B3
FRONT SUSPENSION WHEEL	B4-6
FUEL TANK	B9
GOVERNOR	C4
PRIMARY SHEAVE	C5
REAR AXLE WHEEL	C10
REAR SHOCKS	B2
SEAT	D11
SECONDARY SHEAVE	C6
STARTING MOTOR	D12, E1
STEERING	B7-8
TRANSMISSION	C7-9
-MODELS IN THIS CATALOG	E5

CONTINUED ON NEXT FRAME ►



# FRONT SUSPENSION WHEEL



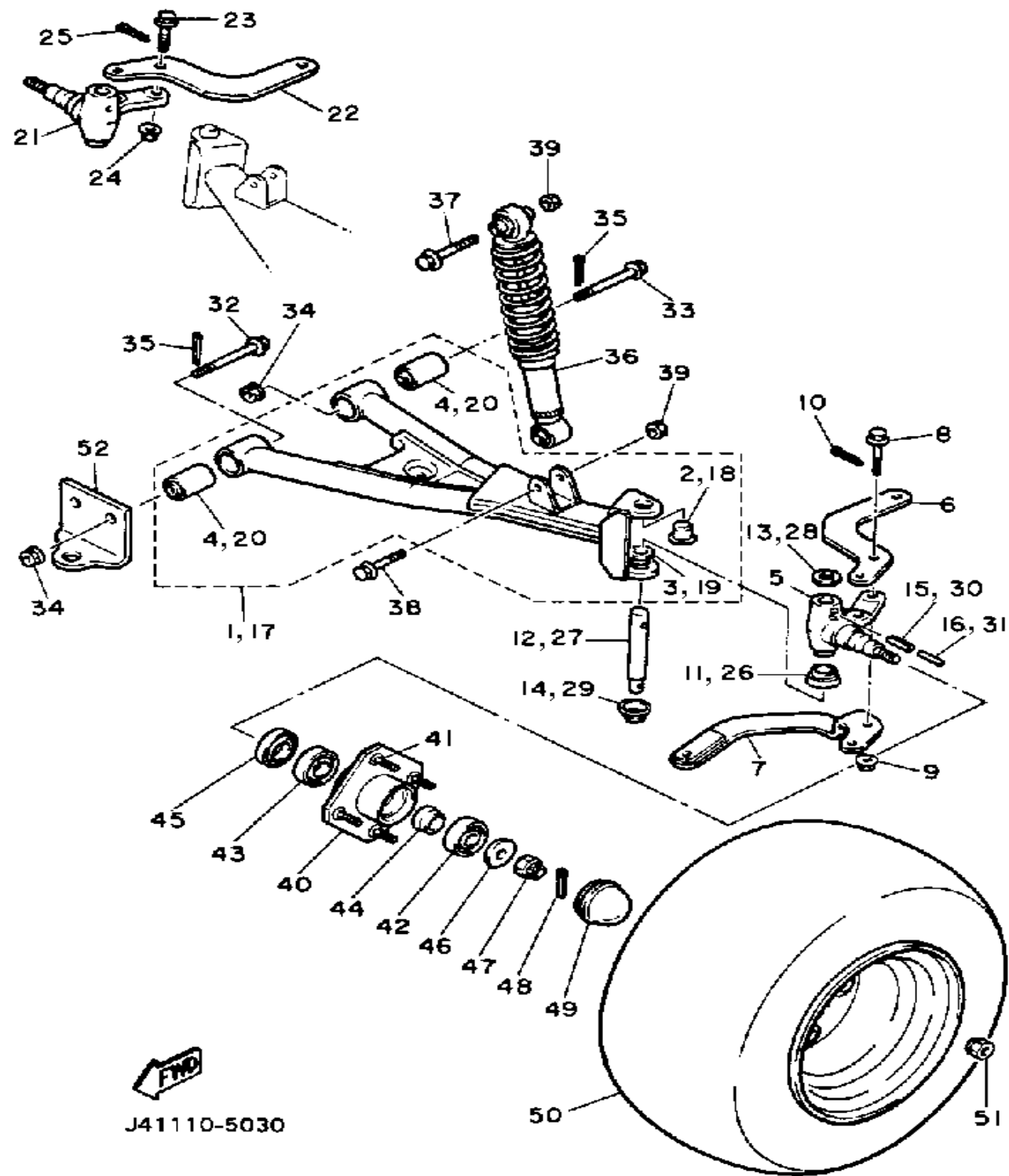
Ref. No.	Part Number	Description	Qty	Remarks
29	J38-23528-00-00	SEAL, DUST .....	1	
30	91609-60028-00	PIN, SPRING .....	1	
31	91609-35028-00	PIN, SPRING .....	1	
32	90105-10358-00	BOLT, WASHER BASED .....	2	
33	90105-10357-00	BOLT, FLANGE .....	2	
34	90185-10115-00	NUT, SELF-LOCKING .....	4	
35	91401-25020-00	PIN, COTTER .....	4	
36	JG5-F3350-00-00	SHOCK ABSORBER ASSEMBLY .....	2	
37	97002-10065-00	BOLT .....	2	
38	97313-10050-00	BOLT, HEXAGON (676) .....	2	
39	95601-10100-00	NUT, U (95602-10100-00) .....	4	
40	J38-W2511-00-00	HUB, FRONT .....	2	
41	90114-12003-00	BOLT, RIBBED NECK .....	8	
42	93306-20421-00	BEARING .....	2	1987 G2AB, J38-020101~020305 ONLY
	93306-20437-00	BEARING .....	2	ALL OTHER 1985~88 G2A
43	93306-00511-00	BEARING .....	2	ALL OTHER 1985~88 G2A
	93306-00510-00	BEARING .....	2	1987 G2AB, J38-020101~020305 ONLY
44	90387-241M7-00	COLLAR .....	2	
45	93102-30083-00	OIL SEAL .....	2	
46	90209-32271-00	WASHER .....	2	
47	95601-14100-00	NUT, U (95602-14100-00) .....	2	
48	91401-25020-00	PIN, COTTER .....	2	
49	J17-25118-00-00	COVER, HUB DUST .....	2	
50	J55-F5100-00-00	FRONT WHEEL ASSEMBLY ..	2	
51	90179-12262-00	NUT .....	8	

## CONTENTS

ACCELERATOR	C3
AIR FILTER	A7-8
AIR SHROUD FAN	A6
BODY 1	D1-3
BODY 2	D4-6
BODY FITTING	D7-8
BRAKE 1	B10-12
BRAKE 2	C1
BRAKE 3	C2
BUMPER	C11-12
CAMSHAFT VALVE	A5
CARBURETOR	A9
CARRIER	D9-10
CRANKCASE	A11-12
CRANKSHAFT PISTON	A3-4
CYLINDER	A2
ELECTRICAL 1	E2
ELECTRICAL 2	E3-4
ENGINE BRACKET	B1
EXHAUST	A10
FRAME	B3
FRONT SUSPENSION WHEEL	B4-6
FUEL TANK	B9
GOVERNOR	C4
PRIMARY SHEAVE	C5
REAR AXLE WHEEL	C10
REAR SHOCKS	B2
SEAT	D11
SECONDARY SHEAVE	C6
STARTING MOTOR	D12, E1
STEERING	B7-8
TRANSMISSION	C7-9
-MODELS IN THIS CATALOG	E5

CONTINUED ON NEXT FRAME ➤

# FRONT SUSPENSION WHEEL



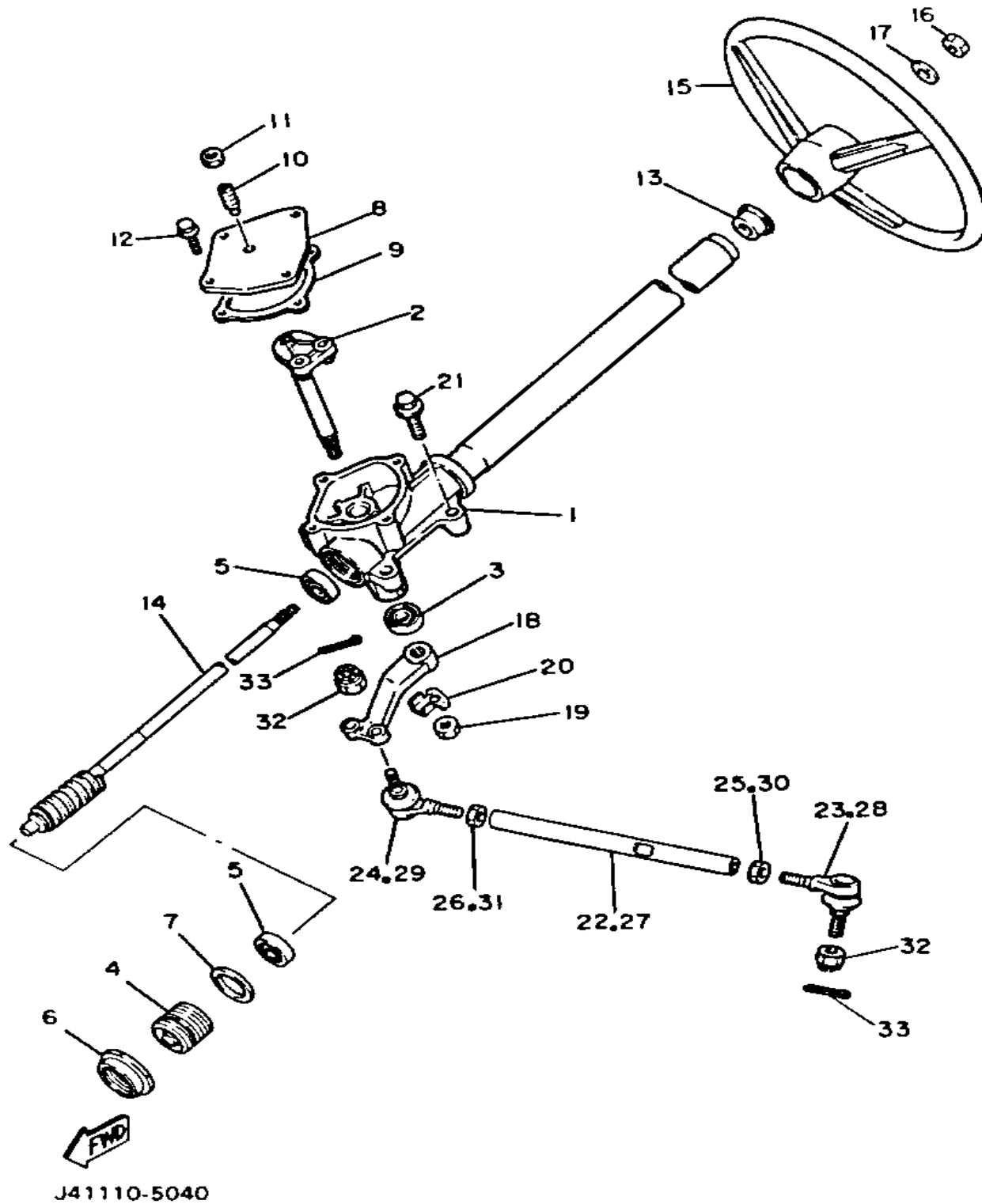
J41110-5030

Ref. No.	Part Number	Description	Qty	Remarks
52	J41-23881-02-00	BRACKET 1 (J41-23881-01-00)	1	

## CONTENTS

ACCELERATOR	C3
AIR FILTER	A7-8
AIR SHROUD FAN	A6
BODY 1	D1-3
BODY 2	D4-6
BODY FITTING	D7-8
BRAKE 1	B10-12
BRAKE 2	C1
BRAKE 3	C2
BUMPER	C11-12
CAMSHAFT VALVE	A5
CARBURETOR	A9
CARRIER	D9-10
CRANKCASE	A11-12
CRANKSHAFT PISTON	A3-4
CYLINDER	A2
ELECTRICAL 1	E2
ELECTRICAL 2	E3-4
ENGINE BRACKET	B1
EXHAUST	A10
FRAME	B3
FRONT SUSPENSION WHEEL	B4-6
FUEL TANK	B9
GOVERNOR	C4
PRIMARY SHEAVE	C5
REAR AXLE WHEEL	C10
REAR SHOCKS	B2
SEAT	D11
SECONDARY SHEAVE	C6
STARTING MOTOR	D12, E1
STEERING	B7-8
TRANSMISSION	C7-9
-MODELS IN THIS CATALOG	E5

# STEERING



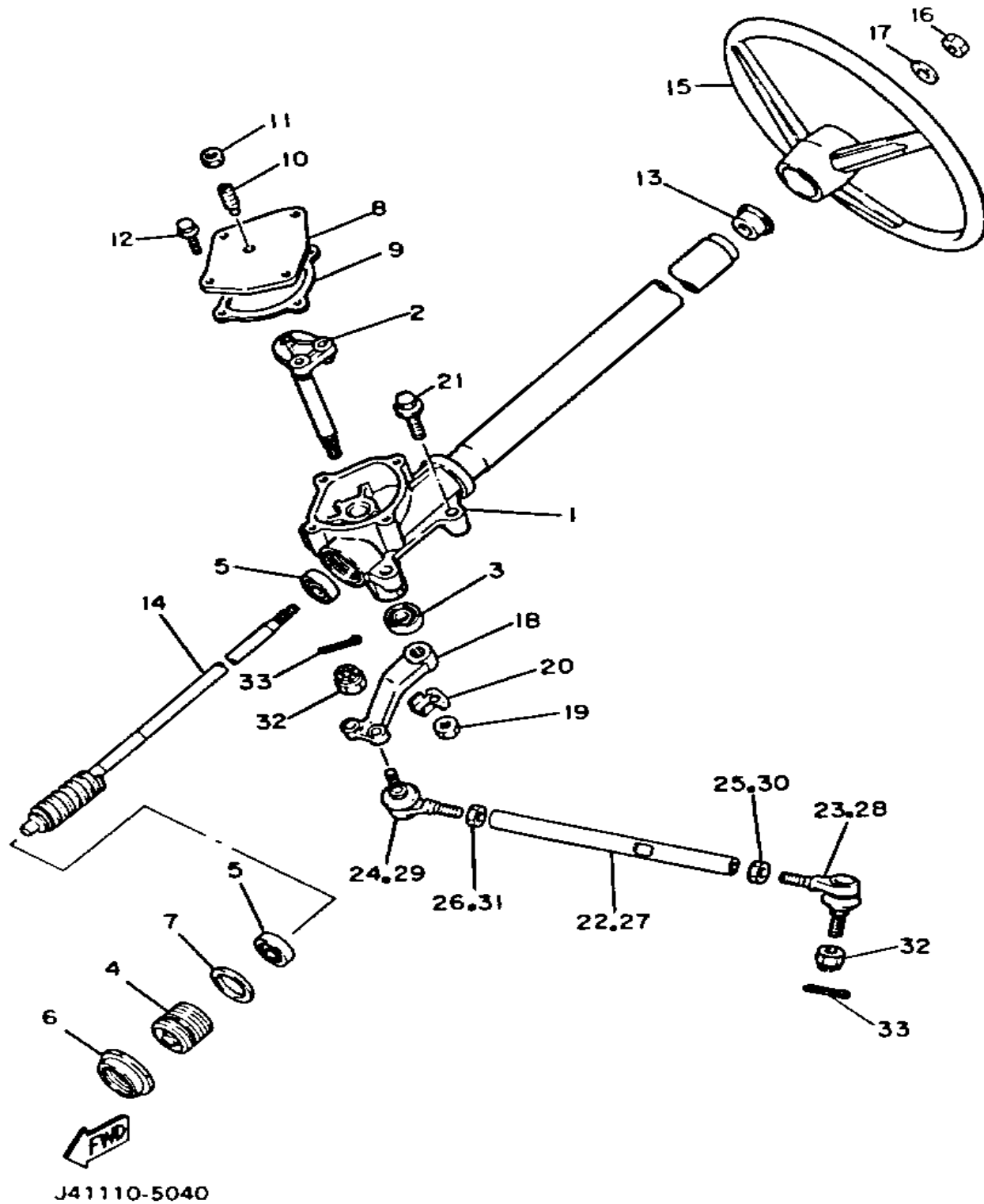
Ref. No.	Part Number	Description	Qty	Remarks
1	J55-F3811-00-00	COLUMN, STEERING (J38-23811-00-00)	1	
2	J38-23816-00-00	ARM, PITMAN	1	
3	93102-22087-00	OIL SEAL	1	
4	J55-F3876-00-00	BOLT	1	
5	93332-00010-00	BEARING	2	
6	J10-23877-00-00	NUT	1	
7	J10-23444-00-00	WASHER	1	
8	J55-23818-00-00	COVER, STEERING	1	
9	J38-23462-00-00	SEAL, STEERING	1	
10	J10-23459-00-00	BOLT	1	
11	90170-08024-00	NUT, HEX	1	
12	95811-06020-00	BOLT, FLANGE	4	
13	J38-23814-00-00	HOLDER, HANDLE UPPER	1	
14	J10-23840-00-00	STEERING SHAFT ASSEMBLY	1	
15	J55-F3838-00-00	WHEEL, STEERING (J10-23838-00-00)	1	
16	90185-12119-00	NUT, SELF-LOCKING	1	
17	92990-12200-00	WASHER, PLAIN	1	
18	J38-23826-01-00	ARM, IDLER	1	
19	95701-16300-00	NUT, FLANGE	1	
20	90215-16252-00	WASHER, TONGUE	1	
21	95811-10050-00	BOLT, FLANGE	4	
22	J38-23831-02-00	ROD, TIE	1	J38-066201~
	J38-23831-00-00	ROD, TIE	1	J38-000101~066200
23	J38-23841-01-00	JOINT, UNIVERSAL 1	1	J38-066201~
	J38-23841-00-00	JOINT, UNIVERSAL 1	1	J38-000101~066200
24	J38-23845-01-00	JOINT, UNIVERSAL 2	1	J38-066201~
	J38-23845-00-00	JOINT, UNIVERSAL 2	1	J38-000101~066200
25	95303-10700-00	NUT	1	J38-000101~066200
	90170-12055-00	NUT	1	J38-066201~

## CONTENTS

ACCELERATOR	C3
AIR FILTER	A7-8
AIR SHROUD FAN	A6
BODY 1	D1-3
BODY 2	D4-6
BODY FITTING	D7-8
BRAKE 1	B10-12
BRAKE 2	C1
BRAKE 3	C2
BUMPER	C11-12
CAMSHAFT VALVE	A5
CARBURETOR	A9
CARRIER	D9-10
CRANKCASE	A11-12
CRANKSHAFT PISTON	A3-4
CYLINDER	A2
ELECTRICAL 1	E2
ELECTRICAL 2	E3-4
ENGINE BRACKET	B1
EXHAUST	A10
FRAME	B3
FRONT SUSPENSION WHEEL	B4-6
FUEL TANK	B9
GOVERNOR	C4
PRIMARY SHEAVE	C5
REAR AXLE WHEEL	C10
REAR SHOCKS	B2
SEAT	D11
SECONDARY SHEAVE	C6
STARTING MOTOR	D12, E1
STEERING	B7-8
TRANSMISSION	C7-9
-MODELS IN THIS CATALOG	E5

CONTINUED ON NEXT FRAME >

# STEERING

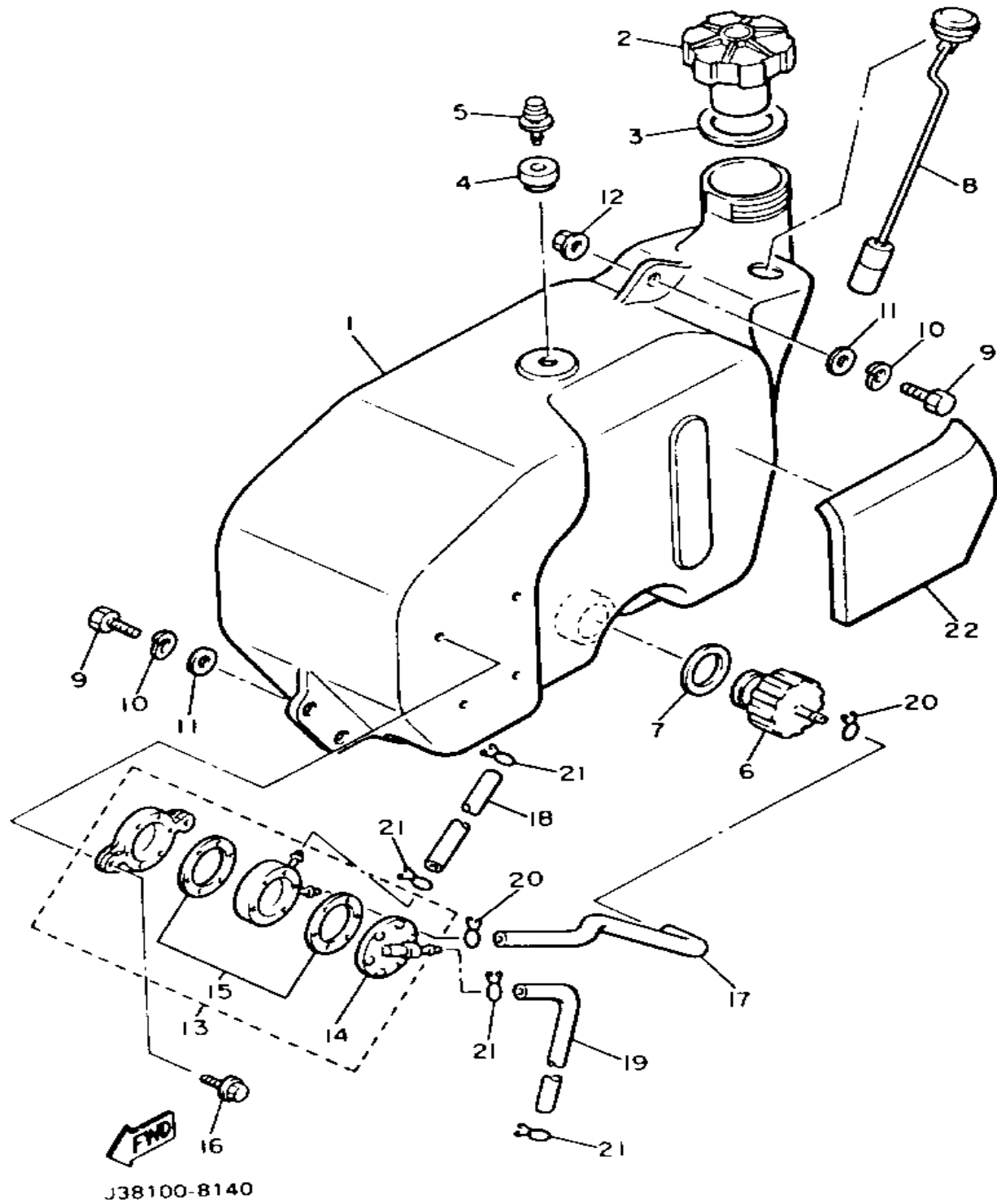


Ref. No.	Part Number	Description	Qty	Remarks
26	90170-10186-00	NUT .....	1	J38-000101~066200
	90170-12054-00	NUT .....	1	J38-066201~
27	J38-23837-02-00	ROD, TIE 2 .....	1	J38-066201~
	J38-23837-00-00	ROD, TIE 2 .....	1	J38-000101~066200
28	J38-23841-01-00	JOINT, UNIVERSAL 1 .....	1	J38-066201~
	J38-23841-00-00	JOINT, UNIVERSAL 1 .....	1	J38-000101~066200
29	J38-23845-01-00	JOINT, UNIVERSAL 2 .....	1	J38-066201~
	J38-23845-00-00	JOINT, UNIVERSAL 2 .....	1	J38-000101~066200
30	95303-10700-00	NUT .....	1	J38-000101~066200
	90170-12055-00	NUT .....	1	J38-066201~
31	90170-10186-00	NUT .....	1	J38-000101~066200
	90170-12054-00	NUT .....	1	J38-066201~
32	95601-10100-00	NUT, U (95602-10100-00) .....	4	
33	91401-25020-00	PIN, COTTER .....	4	

## CONTENTS

ACCELERATOR	C3
AIR FILTER	A7-8
AIR SHROUD FAN	A6
BODY 1	D1-3
BODY 2	D4-6
BODY FITTING	D7-8
BRAKE 1	B10-12
BRAKE 2	C1
BRAKE 3	C2
BUMPER	C11-12
CAMSHAFT VALVE	A5
CARBURETOR	A9
CARRIER	D9-10
CRANKCASE	A11-12
CRANKSHAFT PISTON	A3-4
CYLINDER	A2
ELECTRICAL 1	E2
ELECTRICAL 2	E3-4
ENGINE BRACKET	B1
EXHAUST	A10
FRAME	B3
FRONT SUSPENSION WHEEL	B4-6
FUEL TANK	B9
GOVERNOR	C4
PRIMARY SHEAVE	C5
REAR AXLE WHEEL	C10
REAR SHOCKS	B2
SEAT	D11
SECONDARY SHEAVE	C6
STARTING MOTOR	D12 ,E1
STEERING	B7-8
TRANSMISSION	C7-9
-MODELS IN THIS CATALOG	E5

# FUEL TANK

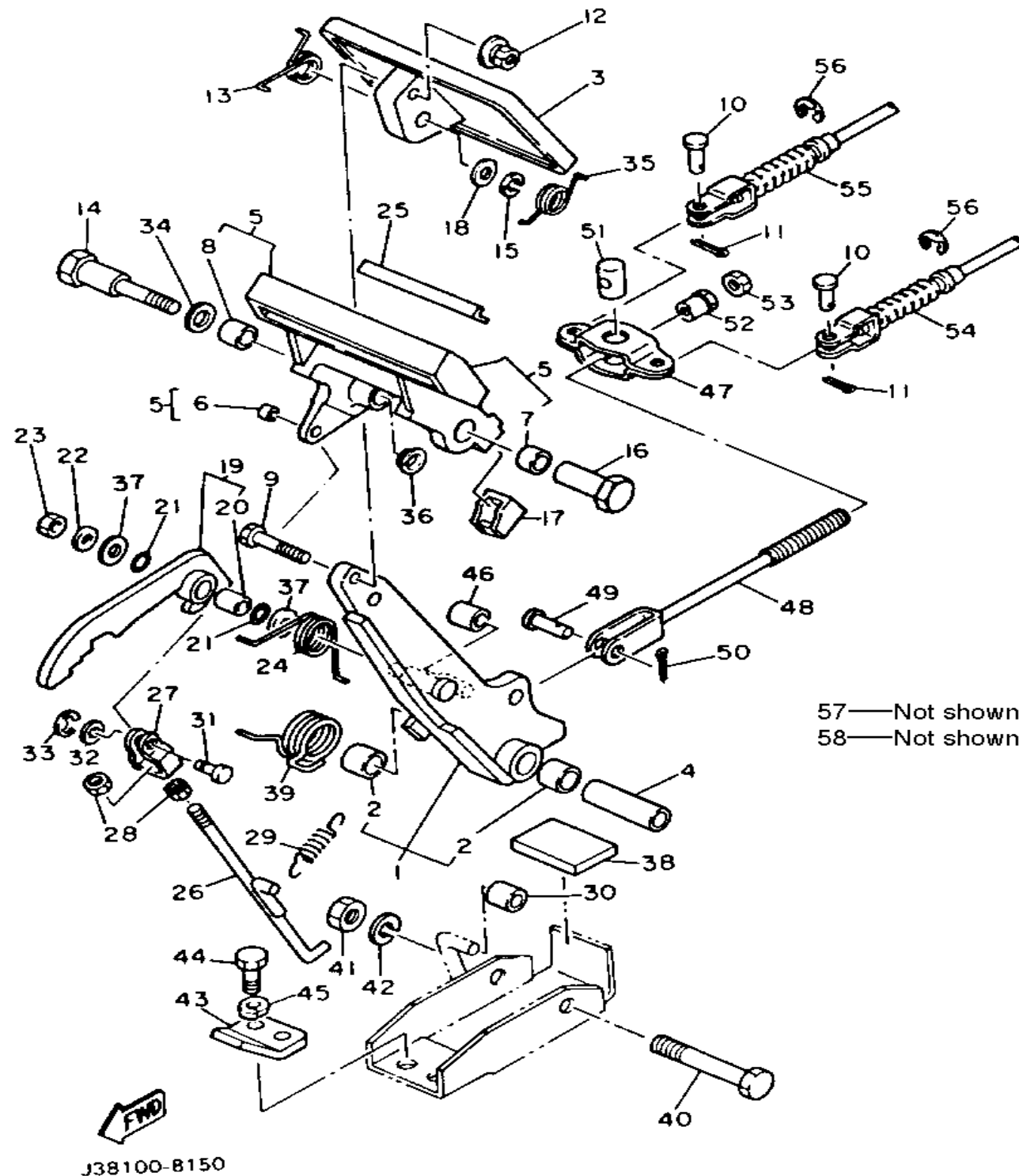


Ref. No.	Part Number	Description	Qty	Remarks
1	J55-F4111-00-00	FUEL TANK .....	1	
2	J24-24620-01-00	BODY CAP ASSEMBLY .....	1	
3	J10-24612-00-00	GASKET, CAP .....	1	
4	J10-21773-00-00	GROMMET .....	1	
5	J24-24460-01-00	RELEASE VALVE ASSEMBLY .	1	
6	8R4-24560-00-00	FILTER ASSEMBLY .....	1	
7	8F3-24564-00-00	GASKET .....	1	
8	J38-85710-02-00	FUEL LEVEL GAUGE ASSEMBLY .....	1	
9	97001-08025-00	BOLT (1NV) .....	3	
10	92990-08100-00	WASHER, SPRING .....	3	
11	90201-08748-00	WASHER, PLATE .....	3	
12	95701-08500-00	NUT, FLANGE (95702-08500-00)	1	
13	J38-24410-10-00	FUEL PUMP ASSEMBLY .....	1	
14	J38-24452-18-00	. COVER, FUEL PUMP .....	2	
15	38W-W1391-01-00	. FUEL PUMP SEAL SET .....	1	
16	95811-06016-00	BOLT, FLANGE (95822-06016-00) .....	2	
17	J38-24311-00-00	PIPE, FUEL 1 .....	1	
18	90445-09225-00	HOSE .....	1	
19	90445-09085-00	HOSE .....	1	
20	90467-11009-00	CLIP .....	2	
21	90467-08017-00	CLIP .....	4	
22	J55-F4129-00-00	COVER, SIDE 1 (J38-24129-00-00) .....	1	

## CONTENTS

ACCELERATOR	C3
AIR FILTER	A7-8
AIR SHROUD FAN	A6
BODY 1	D1-3
BODY 2	D4-6
BODY FITTING	D7-8
BRAKE 1	B10-12
BRAKE 2	C1
BRAKE 3	C2
BUMPER	C11-12
CAMSHAFT VALVE	A5
CARBURETOR	A9
CARRIER	D9-10
CRANKCASE	A11-12
CRANKSHAFT PISTON	A3-4
CYLINDER	A2
ELECTRICAL 1	E2
ELECTRICAL 2	E3-4
ENGINE BRACKET	B1
EXHAUST	A10
FRAME	B3
FRONT SUSPENSION WHEEL	B4-6
FUEL TANK	B9
GOVERNOR	C4
PRIMARY SHEAVE	C5
REAR AXLE WHEEL	C10
REAR SHOCKS	B2
SEAT	D11
SECONDARY SHEAVE	C6
STARTING MOTOR	D12, E1
STEERING	B7-8
TRANSMISSION	C7-9
-MODELS IN THIS CATALOG	E5

# BRAKE 1



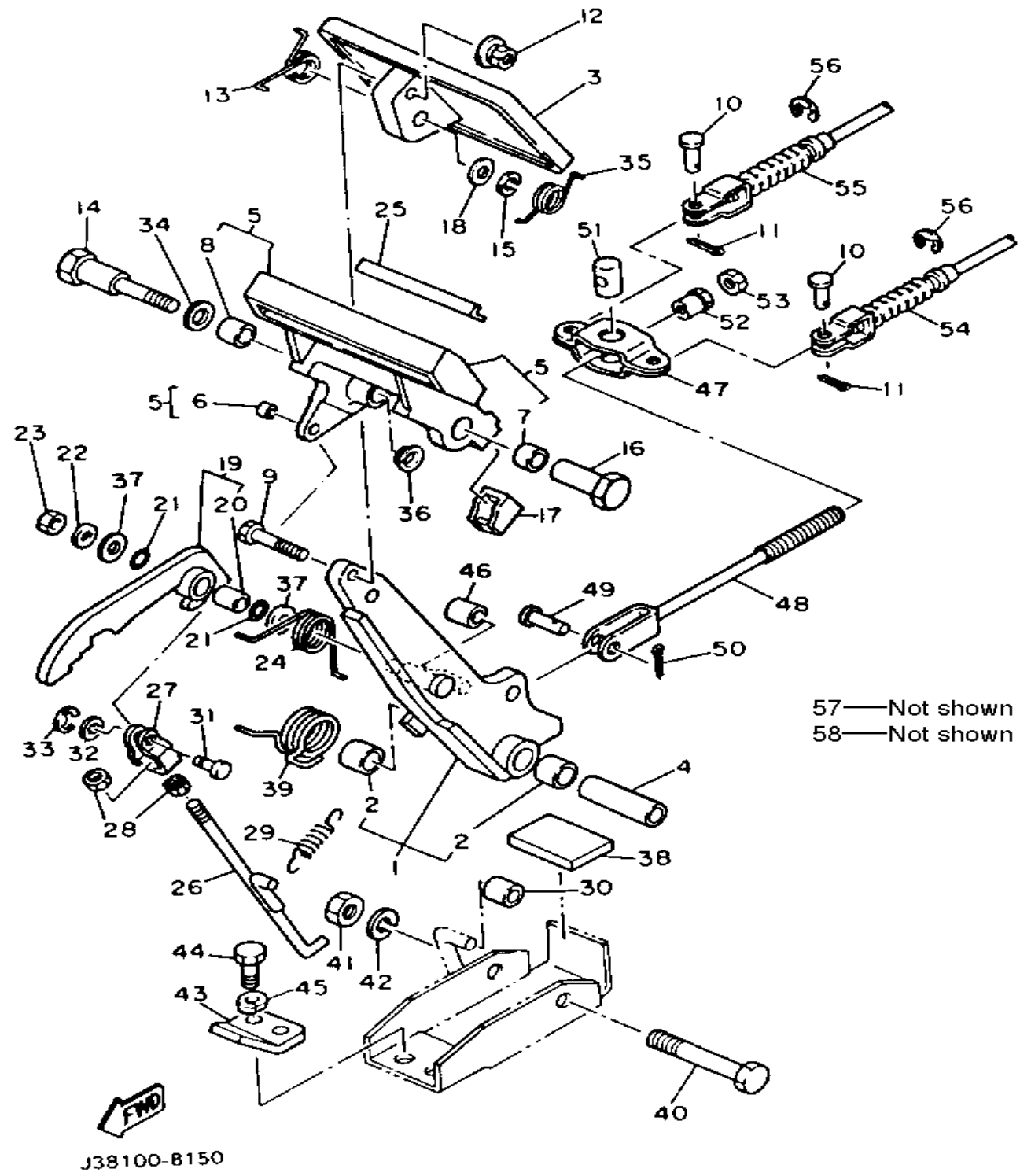
Ref. No.	Part Number	Description	Qty	Remarks
1	J17-27250-01-00	BRAKE ARM COMP .....	1	ORDER REF NOS 57 & 58 FOR KIT
2	90384-14080-00	. BUSH, BIMETAL FORMED ...	2	
3	J10-27211-00-00	PEDAL, BRAKE .....	1	
4	90387-107F8-00	COLLAR .....	1	
5	99999-01799-00	PARKING PEDAL COMP. (J17-25670-00-00) .....	1	INCLUDES J17-25679-01-00 DAMPER QTY 2
6	90384-05163-00	. BUSH, BIMETAL .....	1	
7	90384-12164-00	. BUSH, BIMETAL .....	1	
8	90380-12051-00	. BUSH, SOLID .....	1	
9	90101-06555-00	BOLT, HEX .....	1	
10	91701-08018-00	PIN, CLEVIS .....	4	
11	91490-25020-00	PIN, COTTER .....	4	
12	90179-07564-00	NUT .....	1	
13	90508-23542-00	SPRING, TORSION .....	1	
14	90109-08669-00	BOLT .....	1	
15	92990-08100-00	WASHER, SPRING .....	1	
16	90179-08378-00	NUT .....	1	
17	J17-25679-00-00	DAMPER .....	2	
18	92990-08200-00	WASHER, PLAIN .....	1	
19	J17-W2561-00-00	SECTOR, PARKING BRAKE ..	1	
20	90384-10162-00	. BUSH, BIMETAL FORMED ...	1	
21	J17-27221-00-00	SEAL, SHAFT .....	2	
22	90201-065F3-00	WASHER, PLATE .....	1	
23	95601-06100-00	NUT, U .....	1	
24	90508-14548-00	SPRING, TORSION .....	1	
25	J17-25672-00-00	PAD, PARKING PEDAL .....	1	
26	J17-27231-00-00	ROD, BRAKE .....	1	
27	J17-27232-00-00	END, ROD 2 .....	1	

## CONTENTS

ACCELERATOR	C3
AIR FILTER	A7-8
AIR SHROUD FAN	A6
BODY 1	D1-3
BODY 2	D4-6
BODY FITTING	D7-8
BRAKE 1	B10-12
BRAKE 2	C1
BRAKE 3	C2
BUMPER	C11-12
CAMSHAFT VALVE	A5
CARBURETOR	A9
CARRIER	D9-10
CRANKCASE	A11-12
CRANKSHAFT PISTON	A3-4
CYLINDER	A2
ELECTRICAL 1	E2
ELECTRICAL 2	E3-4
ENGINE BRACKET	B1
EXHAUST	A10
FRAME	B3
FRONT SUSPENSION WHEEL	B4-6
FUEL TANK	B9
GOVERNOR	C4
PRIMARY SHEAVE	C5
REAR AXLE WHEEL	C10
REAR SHOCKS	B2
SEAT	D11
SECONDARY SHEAVE	C6
STARTING MOTOR	D12, E1
STEERING	B7-8
TRANSMISSION	C7-9
-MODELS IN THIS CATALOG	E5

CONTINUED ON NEXT FRAME ➤

# BRAKE 1



Ref. No.	Part Number	Description	Qty	Remarks
28	95380-06700-00	NUT .....	2	
29	90506-12277-00	SPRING, TENSION .....	1	
30	J17-25673-00-00	DAMPER, BRAKE .....	1	
31	J17-27228-00-00	PIN, JOINT .....	1	
32	92901-05600-00	WASHER, PLATE .....	1	
33	99080-04600-00	CIRCLIP .....	1	
34	90201-123F2-00	WASHER, PLAIN .....	1	
35	90508-26557-00	SPRING, TORSION .....	1	
36	90380-12105-00	BUSH, SOLID .....	1	
37	90201-104G8-00	WASHER, PLATE .....	2	
38	J17-27245-00-00	PAD, BRAKE PEDAL .....	1	
39	90508-40543-00	SPRING, TORSION .....	1	
40	90101-10447-00	BOLT, HEX .....	1	
41	95601-10100-00	NUT, U (95602-10100-00) .....	1	
42	92901-10100-00	WASHER, SPRING .....	1	
43	J17-27246-00-00	NAIL, BRAKE .....	1	
44	97313-08020-00	BOLT, HEXAGON .....	2	
45	92990-08100-00	WASHER, SPRING .....	2	
46	J17-25673-00-00	DAMPER, BRAKE .....	1	
47	J10-25681-00-00	EQUALIZER, BRAKE .....	1	
48	J20-25685-00-00	ROD .....	1	
49	91701-10022-00	PIN, CLEVIS .....	1	
50	91490-30020-00	PIN, COTTER .....	1	
51	90249-14129-00	PIN .....	1	
52	90179-08261-00	NUT .....	1	
53	95303-08700-00	.NUT .....	1	
54	J55-F6341-00-00	CABLE, BRAKE .....	1	
55	J55-F6351-00-00	CABLE, BRAKE .....	1	
56	99001-09600-00	CIRCLIP .....	4	
57	92990-10600-00	WASHER, PLATE .....	1	NOT SHOWN

## CONTENTS

ACCELERATOR	C3
AIR FILTER	A7-8
AIR SHROUD FAN	A6
BODY 1	D1-3
BODY 2	D4-6
BODY FITTING	D7-8
BRAKE 1	B10-12
BRAKE 2	C1
BRAKE 3	C2
BUMPER	C11-12
CAMSHAFT VALVE	A5
CARBURETOR	A9
CARRIER	D9-10
CRANKCASE	A11-12
CRANKSHAFT PISTON	A3-4
CYLINDER	A2
ELECTRICAL 1	E2
ELECTRICAL 2	E3-4
ENGINE BRACKET	B1
EXHAUST	A10
FRAME	B3
FRONT SUSPENSION WHEEL	B4-6
FUEL TANK	B9
GOVERNOR	C4
PRIMARY SHEAVE	C5
REAR AXLE WHEEL	C10
REAR SHOCKS	B2
SEAT	D11
SECONDARY SHEAVE	C6
STARTING MOTOR	D12, E1
STEERING	B7-8
TRANSMISSION	C7-9
-MODELS IN THIS CATALOG	E5

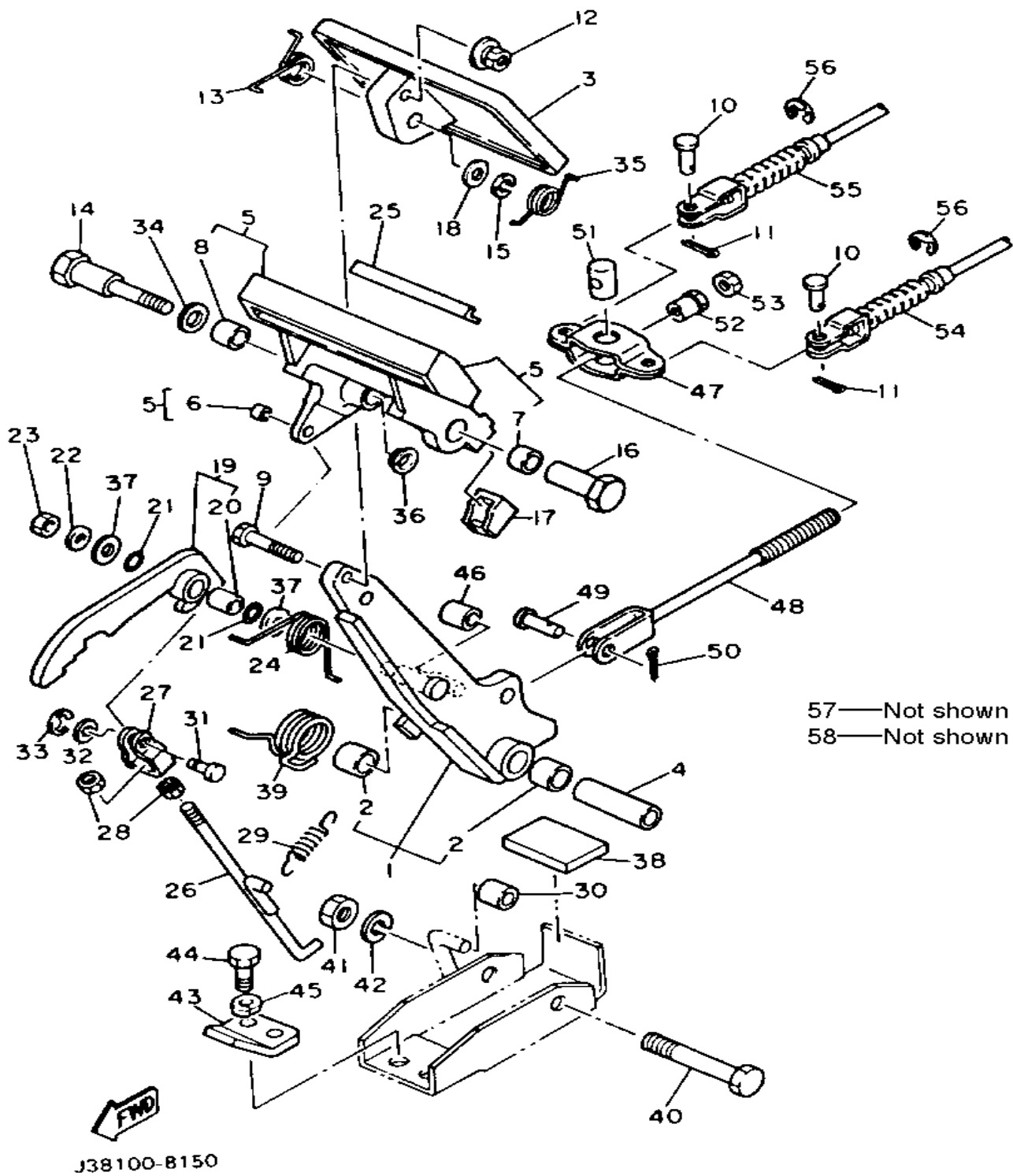
CONTINUED ON NEXT FRAME ►

# BRAKE 1

Ref. No.	Part Number	Description	Qty	Remarks
58	99080-07600-00	CIRCLIP (E) .....	1	NOT SHOWN

## CONTENTS

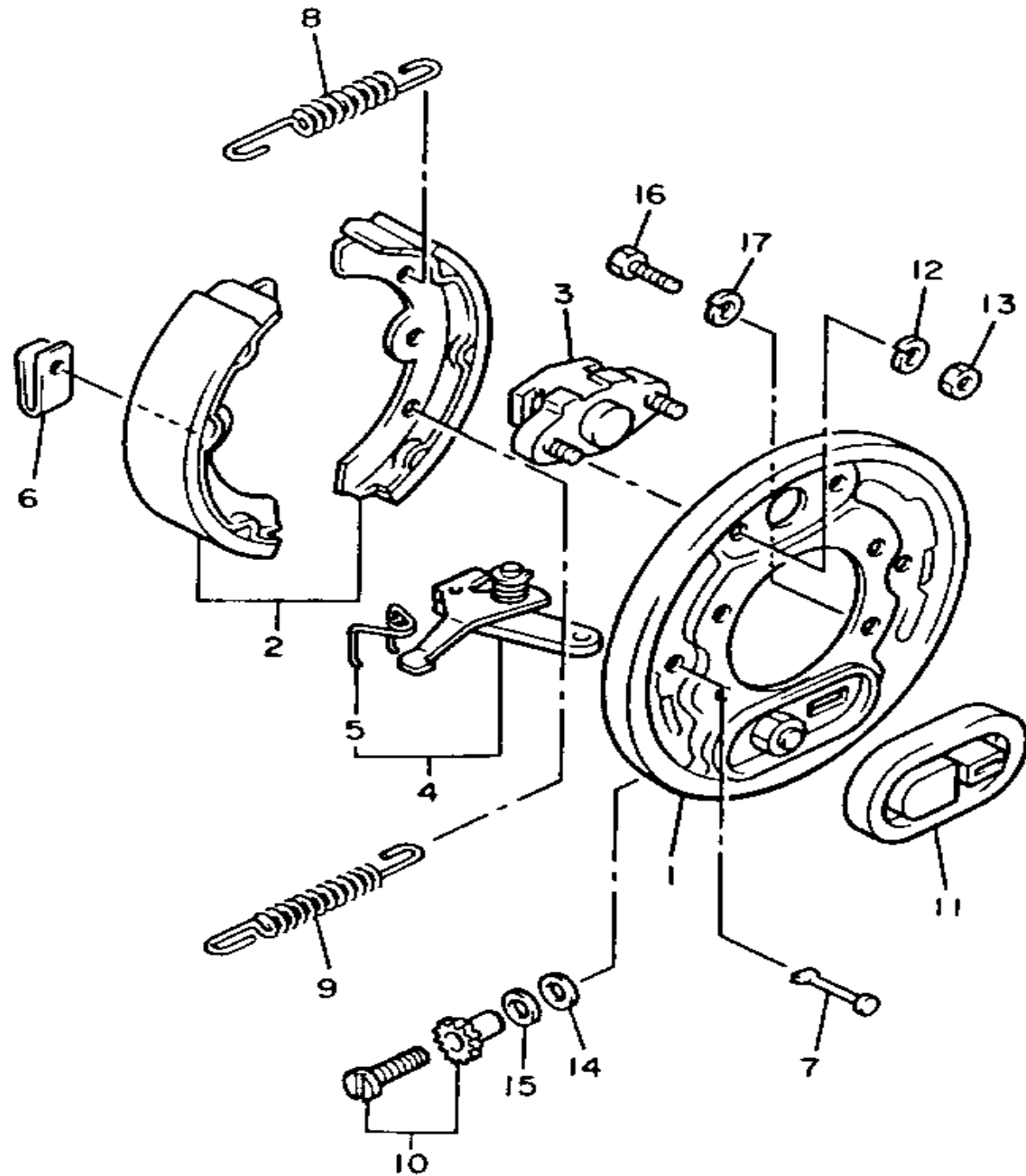
ACCELERATOR	C3
AIR FILTER	A7-8
AIR SHROUD FAN	A6
BODY 1	D1-3
BODY 2	D4-6
BODY FITTING	D7-8
BRAKE 1	B10-12
BRAKE 2	C1
BRAKE 3	C2
BUMPER	C11-12
CAMSHAFT VALVE	A5
CARBURETOR	A9
CARRIER	D9-10
CRANKCASE	A11-12
CRANKSHAFT PISTON	A3-4
CYLINDER	A2
ELECTRICAL 1	E2
ELECTRICAL 2	E3-4
ENGINE BRACKET	B1
EXHAUST	A10
FRAME	B3
FRONT SUSPENSION WHEEL	B4-6
FUEL TANK	B9
GOVERNOR	C4
PRIMARY SHEAVE	C5
REAR AXLE WHEEL	C10
REAR SHOCKS	B2
SEAT	D11
SECONDARY SHEAVE	C6
STARTING MOTOR	D12, E1
STEERING	B7-8
TRANSMISSION	C7-9
-MODELS IN THIS CATALOG	E5





# BRAKE 2

Ref. No.	Part Number	Description	Qty	Remarks
1	J17-27208-00-00	BACKING PLATE SUB ASSEMBLY R.H	1	
2	J55-W2536-00-00	BRAKE SHOE SET	1	
3	J17-27206-00-00	ANCHOR BODY COMP.	1	
4	J38-27204-00-00	LEVER ASSEMBLY 1	1	
5	J55-25358-00-00	. SPRING LEVER	1	
6	J10-27281-00-00	SPRING, SHOE CLAMP	2	
7	J10-27282-00-00	PIN, SHOE HOLD DOWN	2	
8	90506-20281-00	SPRING, TENSION	1	
9	90506-26191-00	SPRING, TENSION	1	
10	J55-27270-00-00	ADJUSTER ASSEMBLY	1	
11	J10-27286-00-00	COVER, DUST	1	
12	92995-06100-00	WASHER, SPRING	2	
13	95380-06600-00	NUT, HEXAGON	2	
14	90201-121H8-00	WASHER, PLATE	1	
15	90201-121H9-00	WASHER, PLATE	1	
16	97011-08016-00	BOLT	4	
17	92990-08100-00	WASHER, SPRING	4	

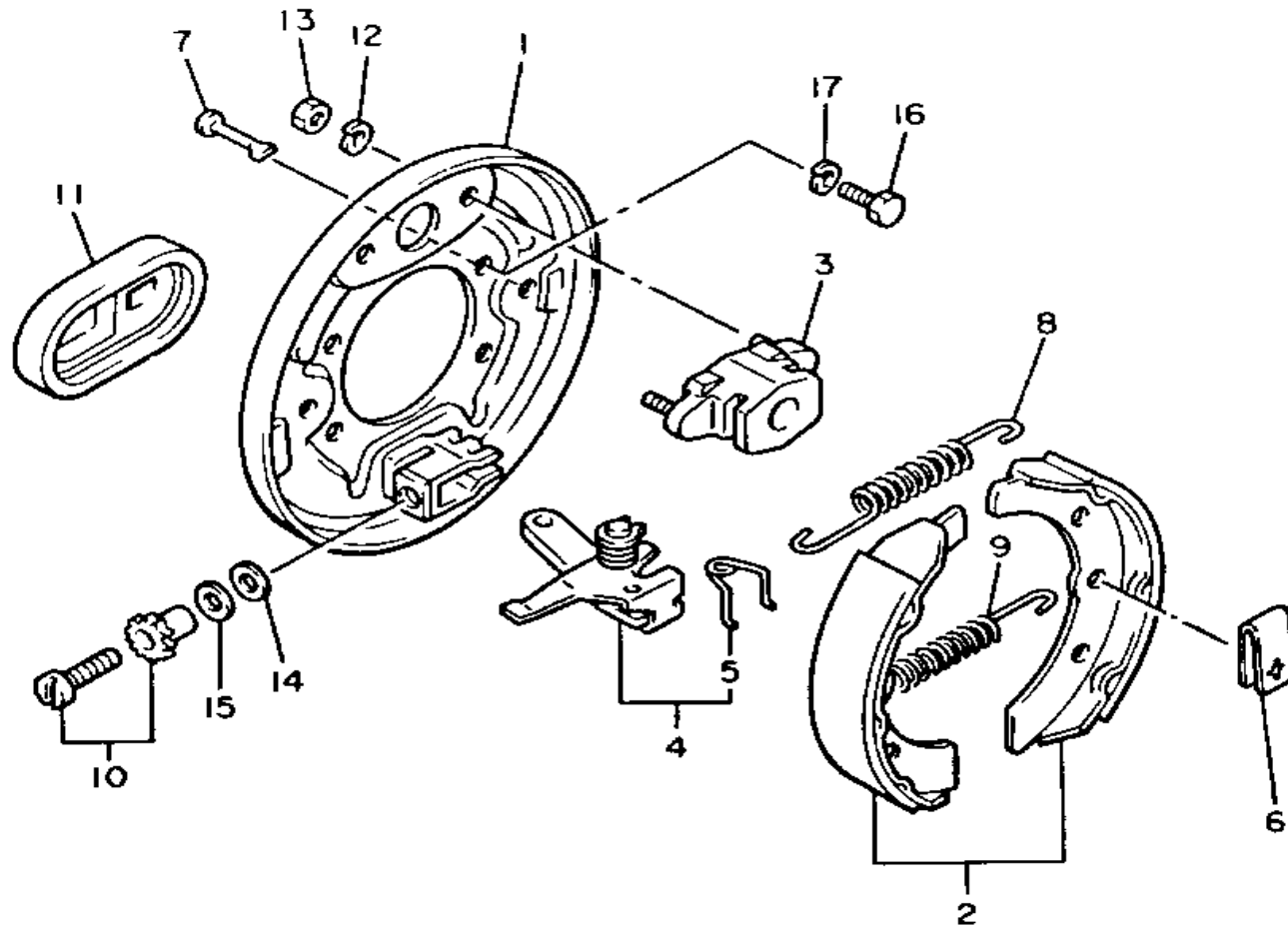


## CONTENTS

ACCELERATOR	C3
AIR FILTER	A7-8
AIR SHROUD FAN	A6
BODY 1	D1-3
BODY 2	D4-6
BODY FITTING	D7-8
BRAKE 1	B10-12
BRAKE 2	C1
BRAKE 3	C2
BUMPER	C11-12
CAMSHAFT VALVE	A5
CARBURETOR	A9
CARRIER	D9-10
CRANKCASE	A11-12
CRANKSHAFT PISTON	A3-4
CYLINDER	A2
ELECTRICAL 1	E2
ELECTRICAL 2	E3-4
ENGINE BRACKET	B1
EXHAUST	A10
FRAME	B3
FRONT SUSPENSION WHEEL	B4-6
FUEL TANK	B9
GOVERNOR	C4
PRIMARY SHEAVE	C5
REAR AXLE WHEEL	C10
REAR SHOCKS	B2
SEAT	D11
SECONDARY SHEAVE	C6
STARTING MOTOR	D12, E1
STEERING	B7-8
TRANSMISSION	C7-9
-MODELS IN THIS CATALOG	E5



# BRAKE 3



Ref. No.	Part Number	Description	Qty	Remarks
1	J17-27209-00-00	BACKING PLATE SUB ASSEMBLY 2 (L.H)	1	
2	J55-W2536-00-00	BRAKE SHOE SET	1	
3	J17-27206-00-00	ANCHOR BODY COMP.	1	
4	J38-27205-00-00	LEVER ASSEMBLY 2	1	
5	J55-25357-00-00	. SPRING, LEVER	1	
6	J10-27281-00-00	SPRING, SHOE CLAMP	2	
7	J10-27282-00-00	PIN, SHOE HOLD DOWN	2	
8	90506-20281-00	SPRING, TENSION	1	
9	90506-26191-00	SPRING, TENSION	1	
10	J55-27260-00-00	ADJUSTER ASSEMBLY	1	
11	J10-27286-00-00	COVER, DUST	1	
12	92995-06100-00	WASHER, SPRING	2	
13	95380-06600-00	NUT, HEXAGON	2	
14	90201-121H8-00	WASHER, PLATE	1	
15	90201-121H9-00	WASHER, PLATE	1	
16	97011-08016-00	BOLT	4	
17	92990-08100-00	WASHER, SPRING	4	

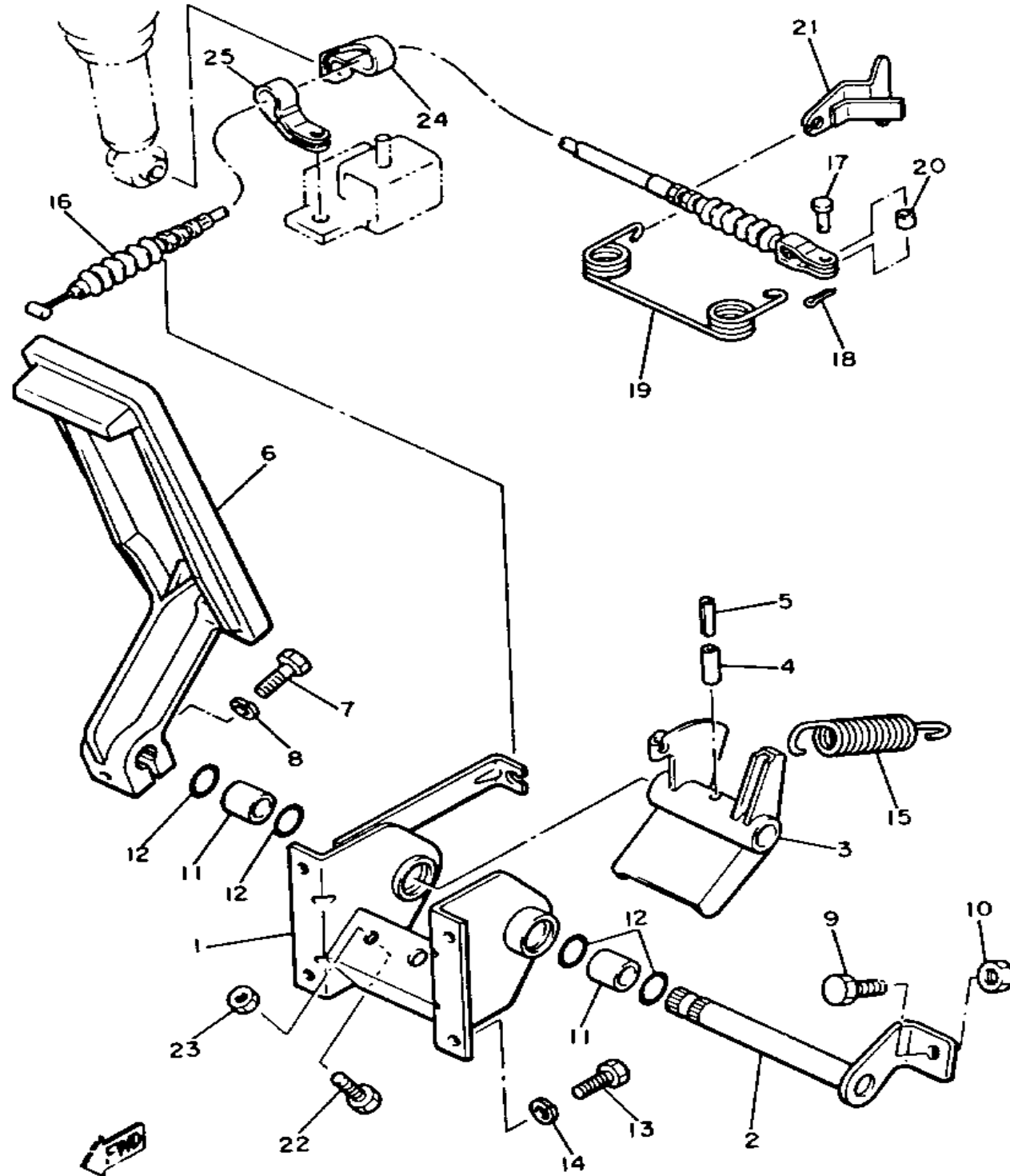
## CONTENTS

ACCELERATOR	C3
AIR FILTER	A7-8
AIR SHROUD FAN	A6
BODY 1	D1-3
BODY 2	D4-6
BODY FITTING	D7-8
BRAKE 1	B10-12
BRAKE 2	C1
BRAKE 3	C2
BUMPER	C11-12
CAMSHAFT VALVE	A5
CARBURETOR	A9
CARRIER	D9-10
CRANKCASE	A11-12
CRANKSHAFT PISTON	A3-4
CYLINDER	A2
ELECTRICAL 1	E2
ELECTRICAL 2	E3-4
ENGINE BRACKET	B1
EXHAUST	A10
FRAME	B3
FRONT SUSPENSION WHEEL	B4-6
FUEL TANK	B9
GOVERNOR	C4
PRIMARY SHEAVE	C5
REAR AXLE WHEEL	C10
REAR SHOCKS	B2
SEAT	D11
SECONDARY SHEAVE	C6
STARTING MOTOR	D12, E1
STEERING	B7-8
TRANSMISSION	C7-9
-MODELS IN THIS CATALOG	E5



JG5100-1180

# ACCELERATOR



Ref. No.	Part Number	Description	Qty	Remarks
1	J38-27874-00-00	BRACKET, ACCELERATOR		
		PEDAL .....	1	
2	J17-27853-00-00	SHAFT, PEDAL 1 .....	1	
3	J38-27872-00-00	ARM, ACCELERATOR PEDAL .	1	
4	91609-60028-00	PIN, SPRING .....	1	
5	91609-35028-00	PIN, SPRING .....	1	
6	JF3-27871-00-00	PEDAL, ACCELERATOR .....	1	
7	97011-06025-00	BOLT (97001-06025-00) .....	1	
8	92995-06100-00	WASHER, SPRING .....	1	
9	90106-08040-00	BOLT .....	1	
10	95303-08700-00	.NUT .....	1	
11	90384-14080-00	BUSH, BIMETAL FORMED .....	2	
12	93210-14104-00	O-RING .....	4	
13	97313-06016-00	BOLT, HEXAGON .....	4	
14	92995-06100-00	WASHER, SPRING .....	4	
15	90506-26282-00	SPRING, TENSION .....	1	
16	J55-F6311-00-00	CABLE, THROTTLE 1 .....	1	
17	91702-05012-00	PIN .....	1	
18	90468-10050-00	CLIP .....	1	
19	90508-16460-00	SPRING, TORSION .....	1	
20	90560-05001-00	SPACER .....	1	
21	J38-27981-00-00	BRACKET, THROTTLE .....	1	
22	97011-06025-00	BOLT (97001-06025-00) .....	1	
23	95380-06700-00	NUT .....	1	
24	90461-08048-00	CLAMP .....	1	
25	90461-08106-00	CLAMP .....	1	

## CONTENTS

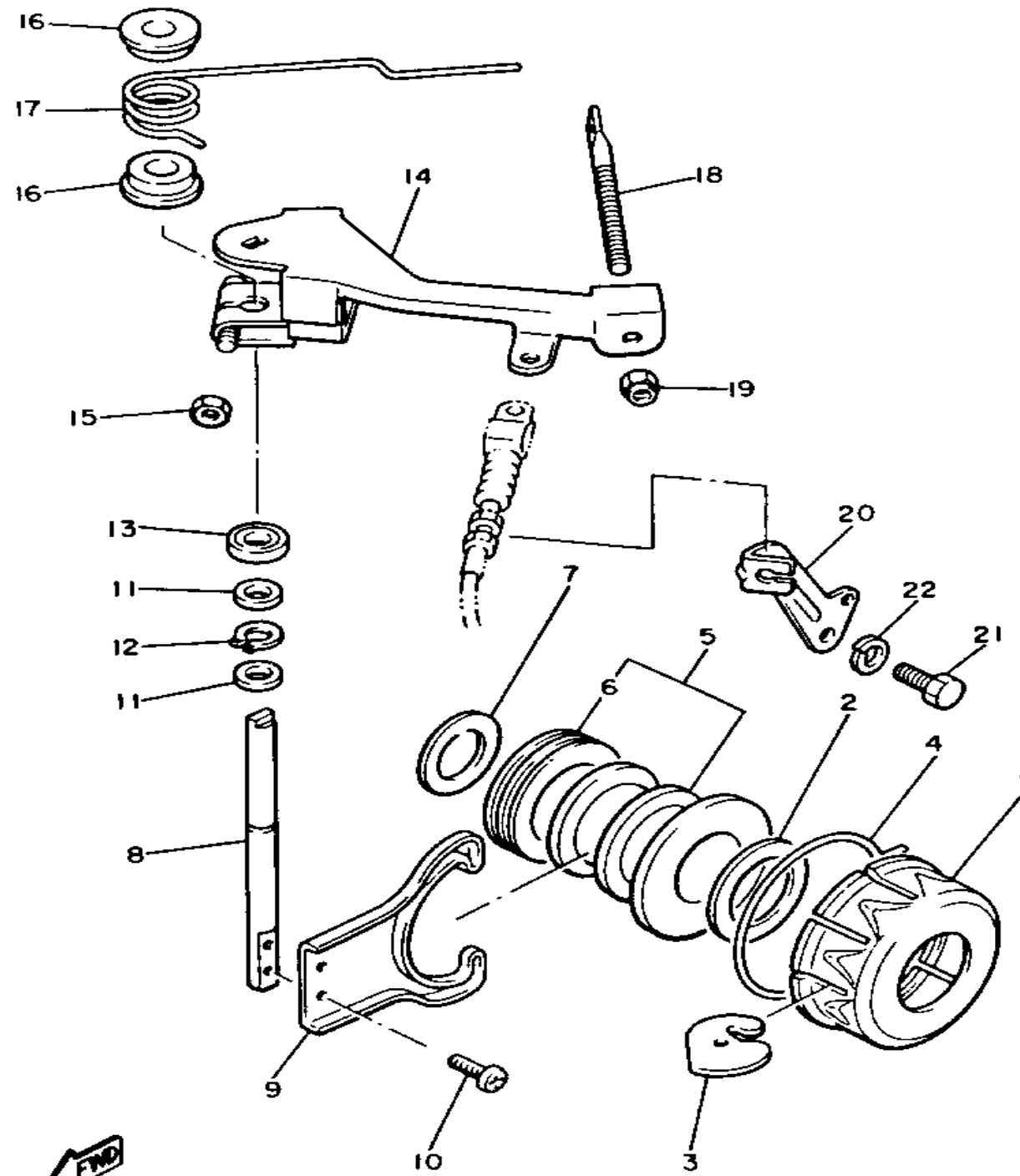
ACCELERATOR	C3
AIR FILTER	A7-8
AIR SHROUD FAN	A6
BODY 1	D1-3
BODY 2	D4-6
BODY FITTING	D7-8
BRAKE 1	B10-12
BRAKE 2	C1
BRAKE 3	C2
BUMPER	C11-12
CAMSHAFT VALVE	A5
CARBURETOR	A9
CARRIER	D9-10
CRANKCASE	A11-12
CRANKSHAFT PISTON	A3-4
CYLINDER	A2
ELECTRICAL 1	E2
ELECTRICAL 2	E3-4
ENGINE BRACKET	B1
EXHAUST	A10
FRAME	B3
FRONT SUSPENSION WHEEL	B4-6
FUEL TANK	B9
GOVERNOR	C4
PRIMARY SHEAVE	C5
REAR AXLE WHEEL	C10
REAR SHOCKS	B2
SEAT	D11
SECONDARY SHEAVE	C6
STARTING MOTOR	D12, E1
STEERING	B7-8
TRANSMISSION	C7-9
-MODELS IN THIS CATALOG	E5

# GOVERNOR

Ref. No.	Part Number	Description	Qty	Remarks
1	J10-27912-00-00	RETAINER	1	
2	90387-21690-00	COLLAR	1	
3	J10-27913-00-00	WEIGHT	12	
4	J10-27911-00-00	HOLDER	1	
5	J10-27927-00-00	LIFTER	1	
6	93342-22502-00	BEARING, THRUST	1	
7	90201-20275-00	WASHER, PLATE	1	
8	J38-27921-00-00	SHAFT, GOVERNOR	1	
9	J10-27922-00-00	FORK, GOVERNOR	1	
10	90157-04092-00	SCREW, PAN HEAD	2	
11	90202-08110-00	WASHER, PLATE	2	
12	99009-06600-00	CIRCLIP	1	
13	93109-08050-00	OIL SEAL	1	
14	J38-27951-00-00	LEVER, SPEED LIMITER	1	
15	95380-06600-00	NUT, HEXAGON	1	
16	90386-08141-00	BUSH	2	
17	90508-40678-00	SPRING, TORSION	1	
18	J38-27959-00-00	SCREW, ADJUSTING	1	
19	95701-06300-00	NUT, NYLON	1	
20	J38-27982-00-00	BRACKET, WIRE	1	
21	97022-08016-00	BOLT	1	
22	92990-08100-00	WASHER, SPRING	1	

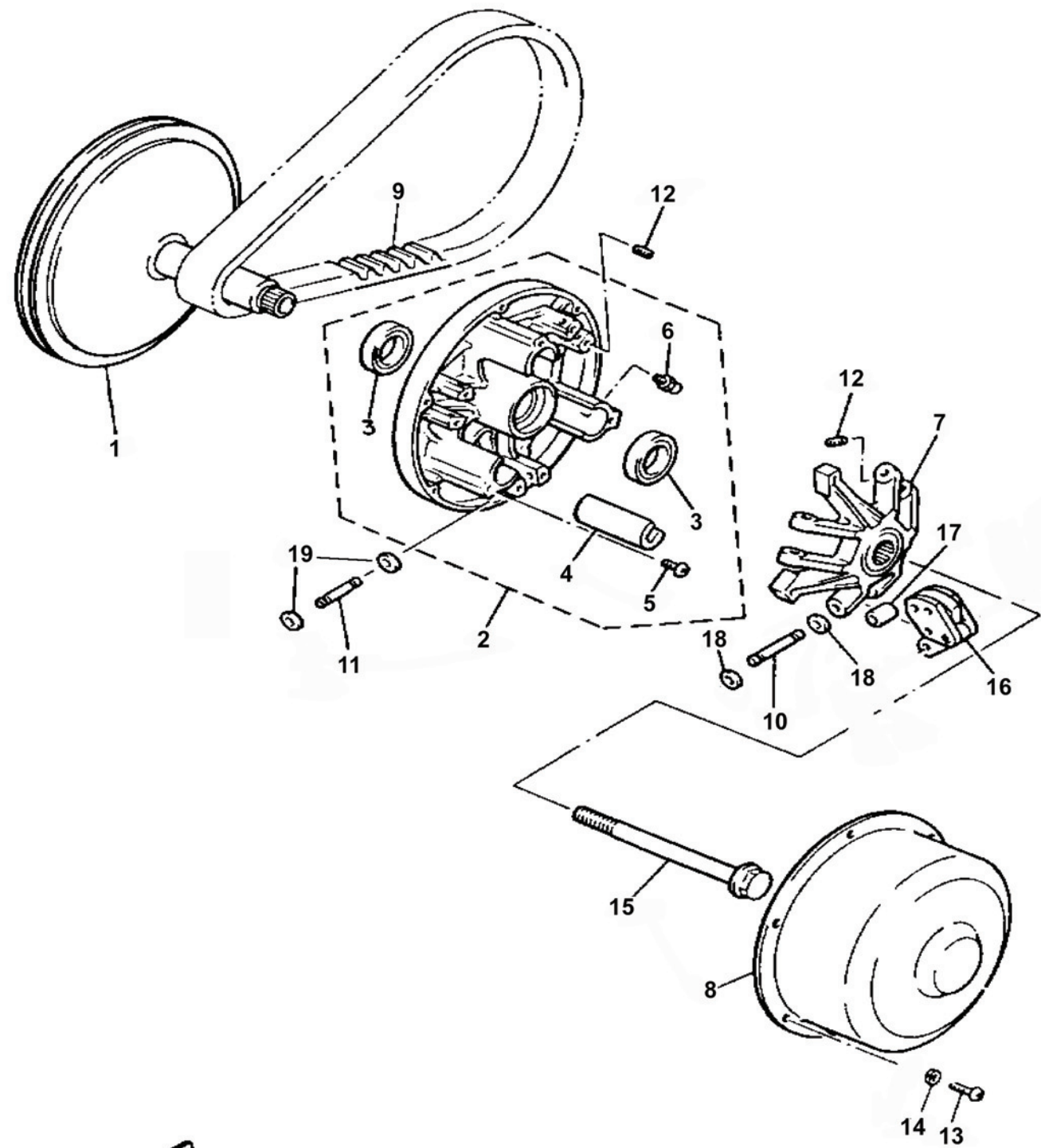
## CONTENTS

ACCELERATOR	C3
AIR FILTER	A7-8
AIR SHROUD FAN	A6
BODY 1	D1-3
BODY 2	D4-6
BODY FITTING	D7-8
BRAKE 1	B10-12
BRAKE 2	C1
BRAKE 3	C2
BUMPER	C11-12
CAMSHAFT VALVE	A5
CARBURETOR	A9
CARRIER	D9-10
CRANKCASE	A11-12
CRANKSHAFT PISTON	A3-4
CYLINDER	A2
ELECTRICAL 1	E2
ELECTRICAL 2	E3-4
ENGINE BRACKET	B1
EXHAUST	A10
FRAME	B3
FRONT SUSPENSION WHEEL	B4-6
FUEL TANK	B9
GOVERNOR	C4
PRIMARY SHEAVE	C5
REAR AXLE WHEEL	C10
REAR SHOCKS	B2
SEAT	D11
SECONDARY SHEAVE	C6
STARTING MOTOR	D12, E1
STEERING	B7-8
TRANSMISSION	C7-9
-MODELS IN THIS CATALOG	E5



J38110-5180

# PRIMARY SHEAVE



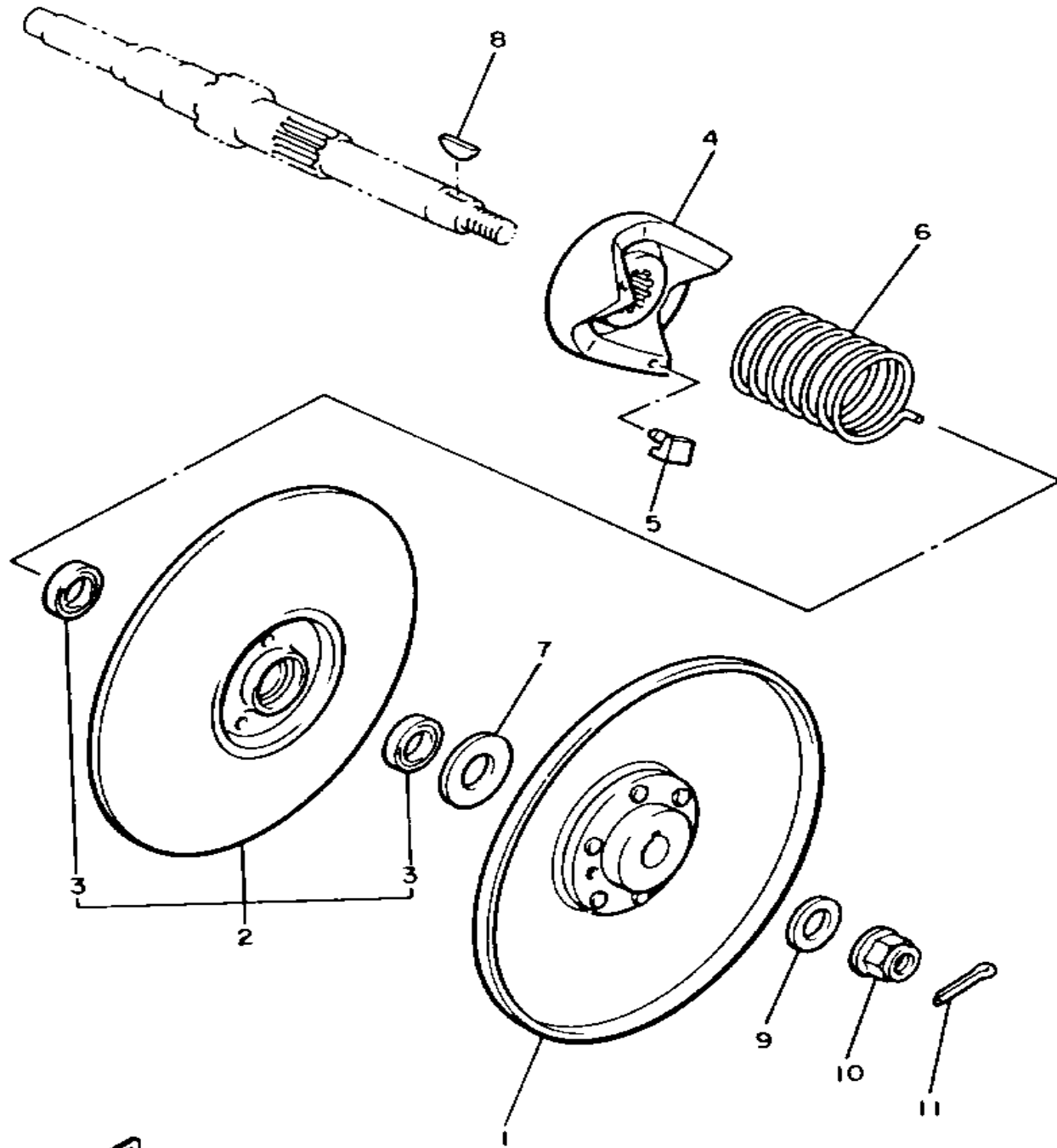
Ref. No.	Part Number	Description	Qty	Remarks
1	J38-46210-00-00	PRIMARY FIXED	1	
2	J38-46220-00-00	PRIMARY SLIDING SHEAVE COMP.	1	
3	93102-28348-00	. OIL SEAL	2	
4	J38-46253-00-00	. SLIDER	3	
5	98901-05008-00	. SCREW, BLIND	3	
6	93700-06004-00	. NIPPLE, GREASE	1	
7	J38-46251-00-00	SPIDER	1	
8	J38-46231-00-00	CAP	1	
9	J55-G6241-00-00	V-BELT	1	
10	J38-46236-00-00	PIN, WEIGHT	3	
11	J38-46237-00-00	PIN, WEIGHT 2	3	
12	90113-04050-00	BOLT, SET	12	
13	98501-05010-00	SCREW, PAN HEAD	6	
14	92990-05100-00	WASHER, SPRING	6	
15	J38-46249-00-00	BOLT	1	
16	99999-01830-00	WEIGHT LINK KIT (J38-46205-00-00)	3	
17	90387-076U6-00	. COLLAR	1	
18	90202-07164-00	. WASHER, PLATE	2	15mm OD
19	90202-07186-00	. WASHER, PLATE	2	17mm OD

## CONTENTS

ACCELERATOR	C3
AIR FILTER	A7-8
AIR SHROUD FAN	A6
BODY 1	D1-3
BODY 2	D4-6
BODY FITTING	D7-8
BRAKE 1	B10-12
BRAKE 2	C1
BRAKE 3	C2
BUMPER	C11-12
CAMSHAFT VALVE	A5
CARBURETOR	A9
CARRIER	D9-10
CRANKCASE	A11-12
CRANKSHAFT PISTON	A3-4
CYLINDER	A2
ELECTRICAL 1	E2
ELECTRICAL 2	E3-4
ENGINE BRACKET	B1
EXHAUST	A10
FRAME	B3
FRONT SUSPENSION WHEEL	B4-6
FUEL TANK	B9
GOVERNOR	C4
PRIMARY SHEAVE	C5
REAR AXLE WHEEL	C10
REAR SHOCKS	B2
SEAT	D11
SECONDARY SHEAVE	C6
STARTING MOTOR	D12, E1
STEERING	B7-8
TRANSMISSION	C7-9
-MODELS IN THIS CATALOG	E5

 .J38100-8190

# SECONDARY SHEAVE



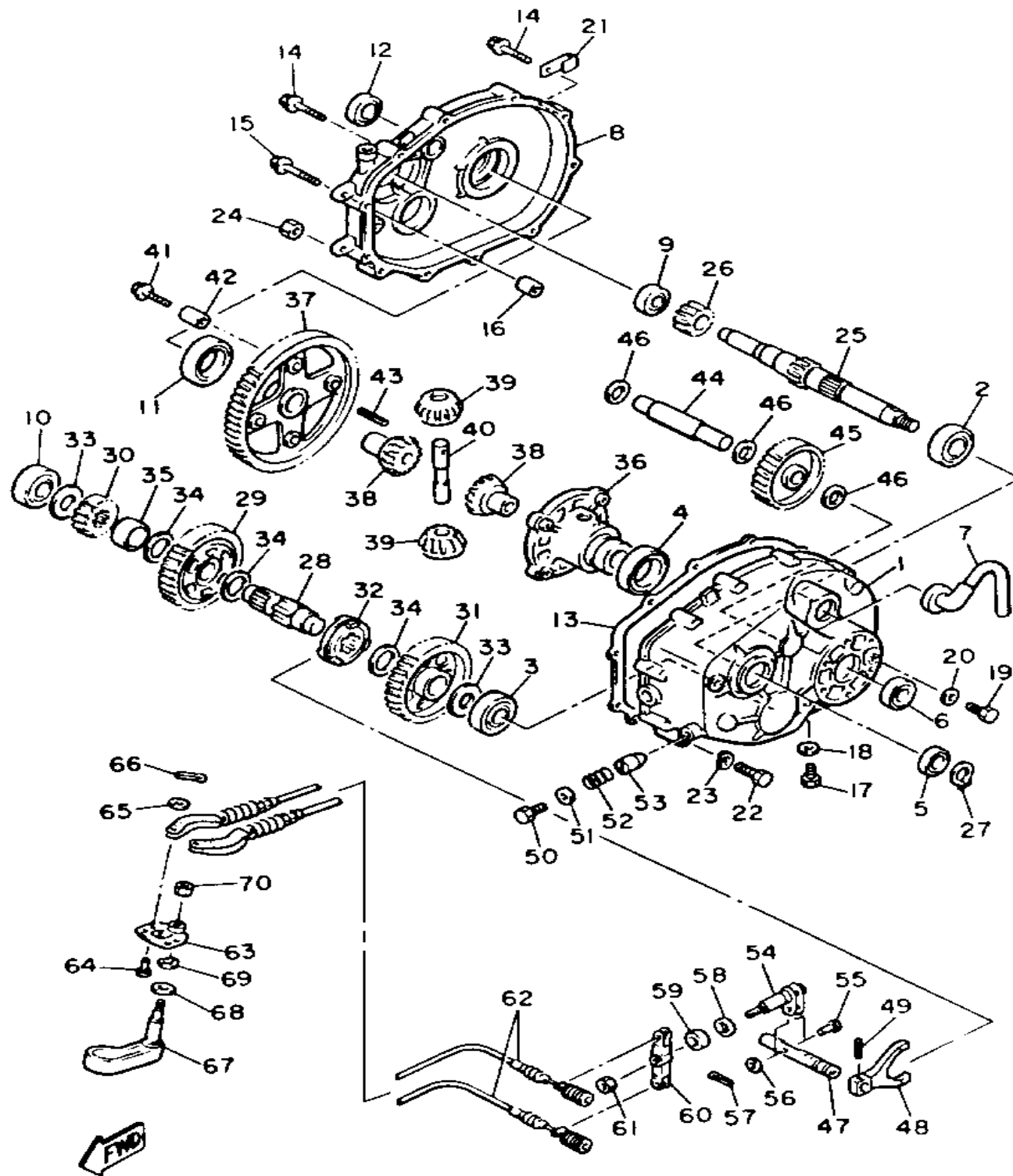
Ref. No.	Part Number	Description	Qty	Remarks
1	J55-G6260-00-00	SECONDARY FIXED SHEAVE COMP. ....	1	
2	J55-G6270-01-00	SECONDARY SLIDING SHEAVE COMP (J38-46270-00-00) ....	1	
3	93102-20309-00	. OIL SEAL ....	2	
4	J38-46284-00-00	SEAT, SEC SPRING ....	1	
5	801-17688-10-00	SHOE, RAMP ....	3	
6	90508-45679-00	SPRING, TORSION ....	1	
7	90202-20130-00	WASHER, PLATE ....	1	
8	90280-05022-00	KEY, WOODRUFF ....	1	
9	90201-12588-00	WASHER, PLATE ....	1	
10	95601-12200-00	NUT, SELF-LOCKING ....	1	
11	91401-25030-00	PIN, COTTER ....	1	

## CONTENTS

ACCELERATOR	C3
AIR FILTER	A7-8
AIR SHROUD FAN	A6
BODY 1	D1-3
BODY 2	D4-6
BODY FITTING	D7-8
BRAKE 1	B10-12
BRAKE 2	C1
BRAKE 3	C2
BUMPER	C11-12
CAMSHAFT VALVE	A5
CARBURETOR	A9
CARRIER	D9-10
CRANKCASE	A11-12
CRANKSHAFT PISTON	A3-4
CYLINDER	A2
ELECTRICAL 1	E2
ELECTRICAL 2	E3-4
ENGINE BRACKET	B1
EXHAUST	A10
FRAME	B3
FRONT SUSPENSION WHEEL	B4-6
FUEL TANK	B9
GOVERNOR	C4
PRIMARY SHEAVE	C5
REAR AXLE WHEEL	C10
REAR SHOCKS	B2
SEAT	D11
SECONDARY SHEAVE	C6
STARTING MOTOR	D12 ,E1
STEERING	B7-8
TRANSMISSION	C7-9
-MODELS IN THIS CATALOG	E5

 J39700-6200

# TRANSMISSION



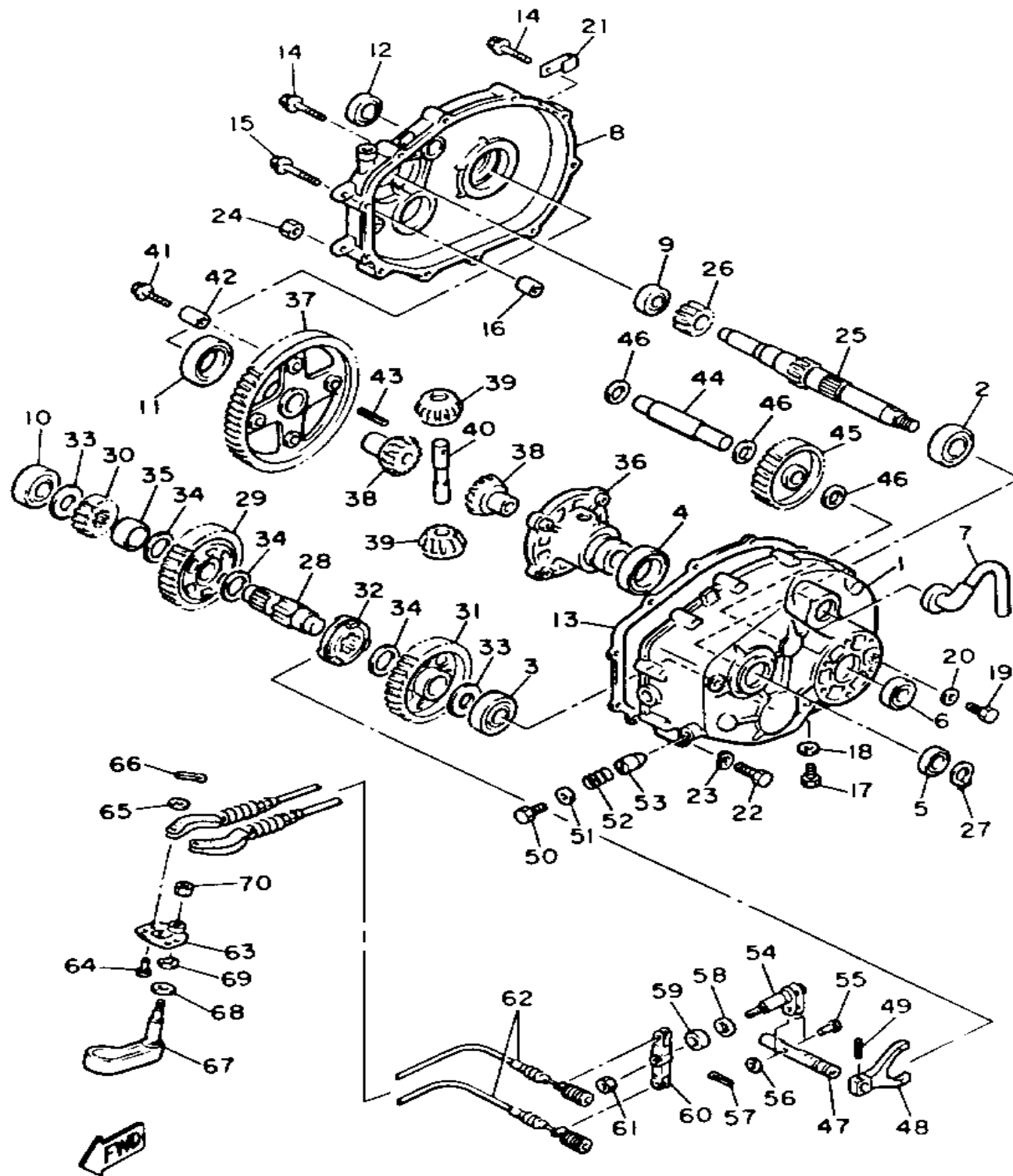
Ref. No.	Part Number	Description	Qty	Remarks
1	J38-46311-00-00	CASE, TRANSMISSION 1	1	
2	93306-20541-00	BEARING (B6205)	1	
3	93306-20421-00	BEARING	1	
4	93306-00803-00	BEARING (B6008)	1	
5	93102-25017-00	OIL SEAL	1	
6	93102-22189-00	OIL SEAL	1	
7	835-47559-00-00	CAP 2	1	
8	J38-46312-00-00	CASE, TRANS 2	1	
9	93306-20324-00	BEARING	1	
10	93306-20421-00	BEARING	1	
11	93306-00803-00	BEARING (B6008)	1	
12	93102-22189-00	OIL SEAL	1	
13	J38-46319-01-00	GASKET	1	
14	95811-08040-00	BOLT, FLANGE	8	
15	95811-08050-00	BOLT, FLANGE (95823-08050-00)	2	
16	99510-12016-00	PIN, DOWEL	2	
17	90340-14036-00	PLUG, STRAIGHT SCREW	1	
18	90430-14043-00	GASKET	1	
19	90101-08344-00	BOLT	1	
20	90201-08087-00	WASHER, PLATE	1	
21	90465-06100-00	CLAMP	1	
22	97013-08075-00	BOLT	1	
23	92990-08100-00	WASHER, SPRING	1	
24	95303-08600-00	NUT	1	
25	J38-46321-02-00	SHAFT, INPUT	1	
26	J38-46331-01-00	GEAR, INPUT 1	1	
27	93410-25017-00	CIRCLIP	1	
28	J38-46351-00-00	SHAFT, COUNTER	1	
29	J38-46361-01-00	GEAR, COUNTER 1	1	

## CONTENTS

ACCELERATOR	C3
AIR FILTER	A7-8
AIR SHROUD FAN	A6
BODY 1	D1-3
BODY 2	D4-6
BODY FITTING	D7-8
BRAKE 1	B10-12
BRAKE 2	C1
BRAKE 3	C2
BUMPER	C11-12
CAMSHAFT VALVE	A5
CARBURETOR	A9
CARRIER	D9-10
CRANKCASE	A11-12
CRANKSHAFT PISTON	A3-4
CYLINDER	A2
ELECTRICAL 1	E2
ELECTRICAL 2	E3-4
ENGINE BRACKET	B1
EXHAUST	A10
FRAME	B3
FRONT SUSPENSION WHEEL	B4-6
FUEL TANK	B9
GOVERNOR	C4
PRIMARY SHEAVE	C5
REAR AXLE WHEEL	C10
REAR SHOCKS	B2
SEAT	D11
SECONDARY SHEAVE	C6
STARTING MOTOR	D12, E1
STEERING	B7-8
TRANSMISSION	C7-9
-MODELS IN THIS CATALOG	E5

CONTINUED ON NEXT FRAME >

# TRANSMISSION



Ref. No.	Part Number	Description	Qty	Remarks
30	J38-46362-00-00	GEAR, COUNTER 2	1	
31	J38-46363-00-00	GEAR, REVERSE	1	
32	J38-4636A-00-00	DOG, CLUTCH	1	
33	90201-204K8-00	WASHER, PLATE	2	
34	90201-257J2-00	WASHER, PLATE	3	
35	90387-252M8-00	COLLAR	1	
36	J38-46411-01-00	CASE, DIFFERENTIAL	1	
37	J38-46421-01-00	GEAR, RING	1	
38	J38-46414-00-00	GEAR, DIFFERENTIAL SIDE	2	
39	J38-46415-00-00	PINION, DIFFERENTIAL	2	
40	J38-46417-02-00	PIN, DIFFERENTIAL	1	
41	90105-08390-00	BOLT, WASHER BASED	4	
42	91812-16001-00	PIN, DOWEL	2	
43	91609-40040-00	PIN, SPRING	1	
44	J38-46348-00-00	SHAFT 2	1	
45	J38-46356-00-00	GEAR, IDLER	1	
46	90201-17713-00	WASHER, PLATE	3	
47	J38-4633A-00-00	BAR, SHIFT FORK GUIDE	1	
48	J38-46338-00-00	FORK, SHIFT	1	
49	91609-40020-00	PIN, SPRING	1	
50	90101-08344-00	BOLT	1	
51	90201-08087-00	WASHER, PLATE	1	
52	90501-10060-00	SPRING, SCREW	1	
53	90249-07215-00	PIN	1	
54	J38-46384-00-00	LEVER, SHIFT 3	1	
55	91701-06022-00	PIN, CLEVIS	1	
56	92990-06200-00	WASHER, PLAIN	1	
57	91490-20020-00	PIN, COTTER	1	
58	90201-12166-00	WASHER, PLATE	1	
59	93102-12224-00	OIL SEAL	1	

## CONTENTS

ACCELERATOR	C3
AIR FILTER	A7-8
AIR SHROUD FAN	A6
BODY 1	D1-3
BODY 2	D4-6
BODY FITTING	D7-8
BRAKE 1	B10-12
BRAKE 2	C1
BRAKE 3	C2
BUMPER	C11-12
CAMSHAFT VALVE	A5
CARBURETOR	A9
CARRIER	D9-10
CRANKCASE	A11-12
CRANKSHAFT PISTON	A3-4
CYLINDER	A2
ELECTRICAL 1	E2
ELECTRICAL 2	E3-4
ENGINE BRACKET	B1
EXHAUST	A10
FRAME	B3
FRONT SUSPENSION WHEEL	B4-6
FUEL TANK	B9
GOVERNOR	C4
PRIMARY SHEAVE	C5
REAR AXLE WHEEL	C10
REAR SHOCKS	B2
SEAT	D11
SECONDARY SHEAVE	C6
STARTING MOTOR	D12, E1
STEERING	B7-8
TRANSMISSION	C7-9
-MODELS IN THIS CATALOG	E5

CONTINUED ON NEXT FRAME ►

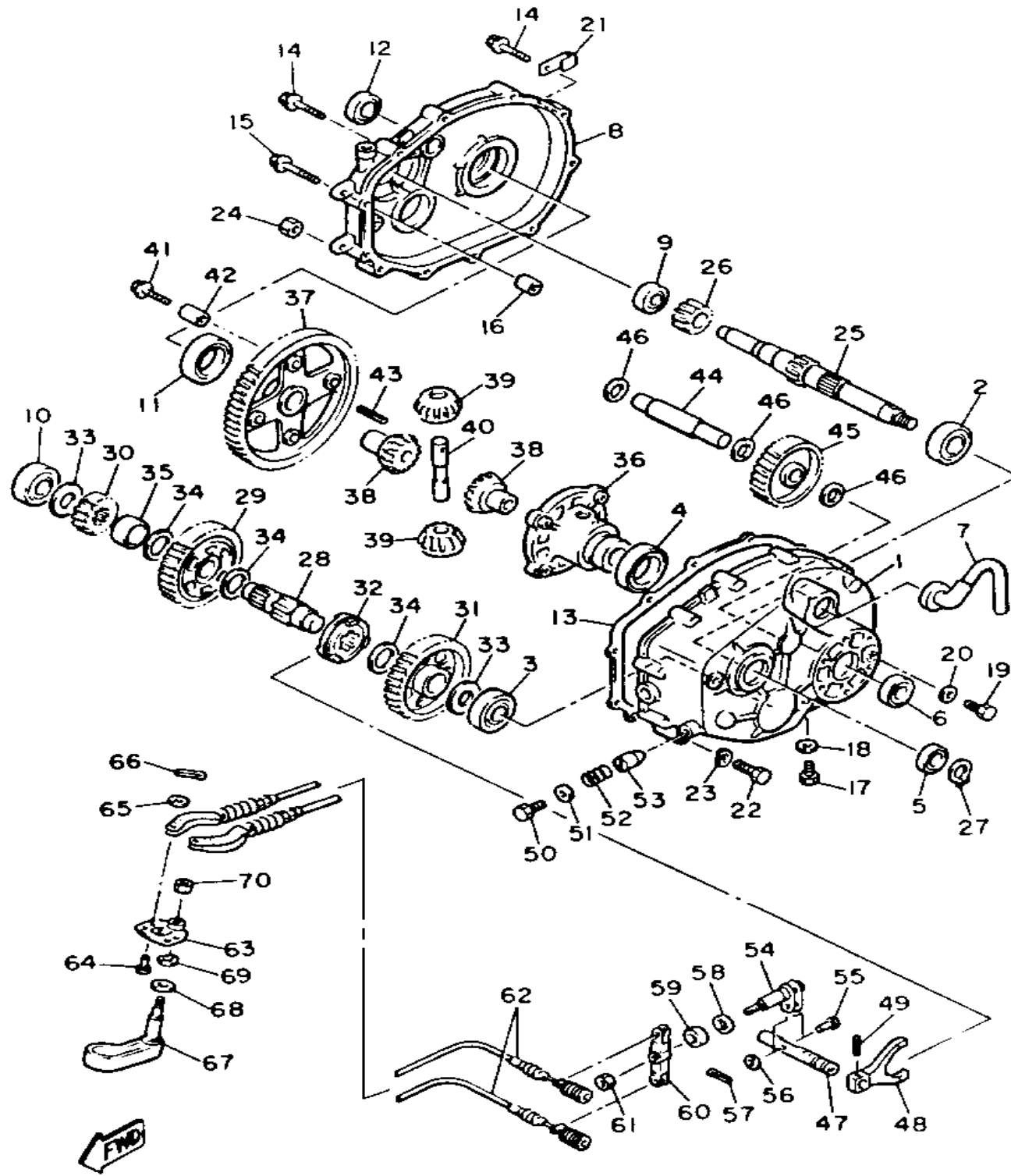


# TRANSMISSION

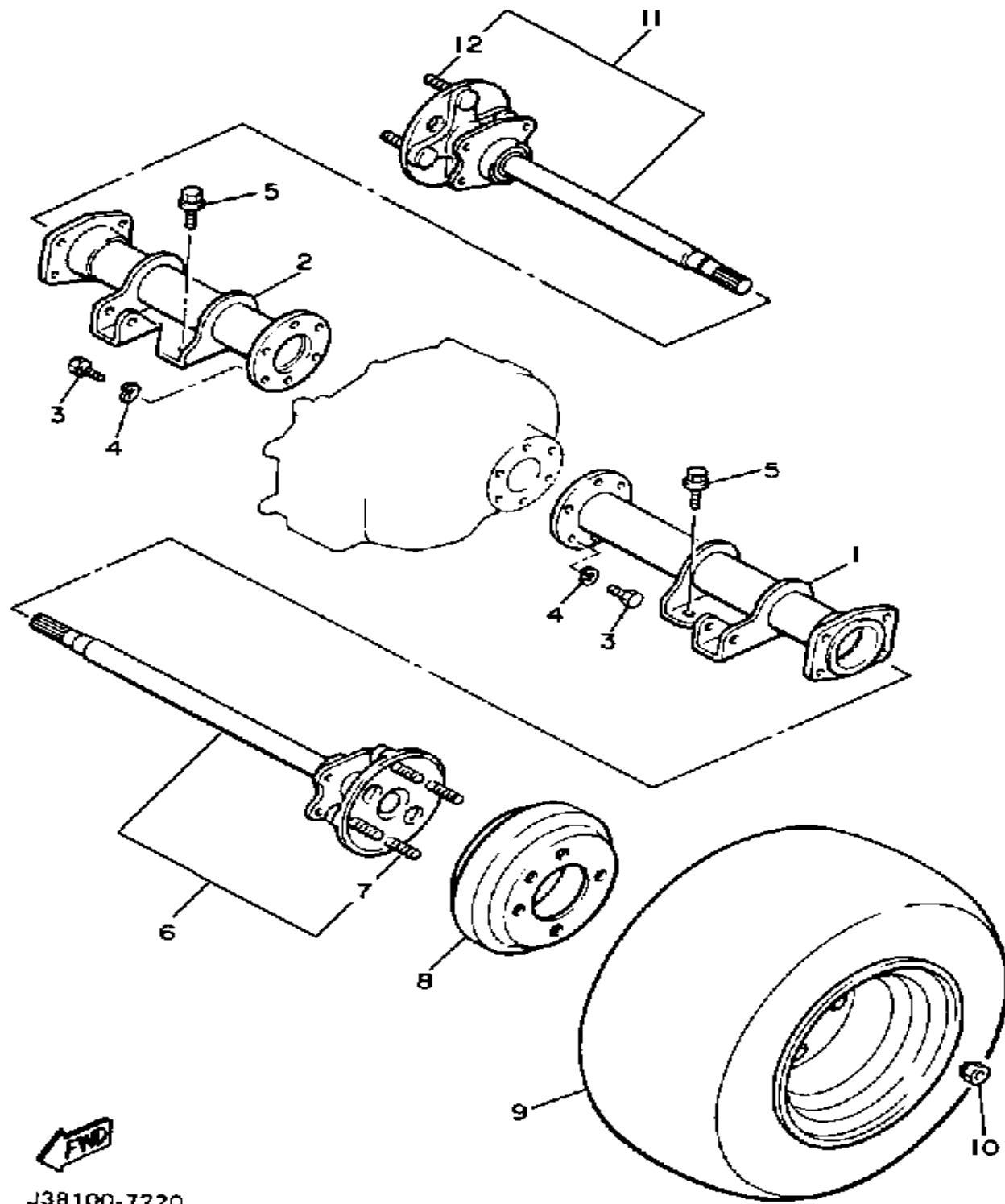
Ref. No.	Part Number	Description	Qty	Remarks
60	J55-G6383-00-	LEVER, SHIFT 2 (J38-46383-00-00)	1	
61	95611-08100-00	NUT, U	1	
62	J55-G6371-00-00	SHAFT WIRE	2	
63	J38-46382-00-00	LEVER, SHIFT 1	1	
64	91702-06014-00	PIN	2	
65	92990-06600-00	WASHER, PLATE	2	
66	91490-20020-00	PIN, COTTER	2	
67	J38-46381-00-00	KNOB, SHIFT	1	
68	90201-12474-00	WASHER, PLATE	1	
69	99001-08600-00	CIRCLIP	1	
70	95611-08100-00	NUT, U	1	

## CONTENTS

ACCELERATOR	C3
AIR FILTER	A7-8
AIR SHROUD FAN	A6
BODY 1	D1-3
BODY 2	D4-6
BODY FITTING	D7-8
BRAKE 1	B10-12
BRAKE 2	C1
BRAKE 3	C2
BUMPER	C11-12
CAMSHAFT VALVE	A5
CARBURETOR	A9
CARRIER	D9-10
CRANKCASE	A11-12
CRANKSHAFT PISTON	A3-4
CYLINDER	A2
ELECTRICAL 1	E2
ELECTRICAL 2	E3-4
ENGINE BRACKET	B1
EXHAUST	A10
FRAME	B3
FRONT SUSPENSION WHEEL	B4-6
FUEL TANK	B9
GOVERNOR	C4
PRIMARY SHEAVE	C5
REAR AXLE WHEEL	C10
REAR SHOCKS	B2
SEAT	D11
SECONDARY SHEAVE	C6
STARTING MOTOR	D12, E1
STEERING	B7-8
TRANSMISSION	C7-9
-MODELS IN THIS CATALOG	E5



# REAR AXLE WHEEL



J38100-7220

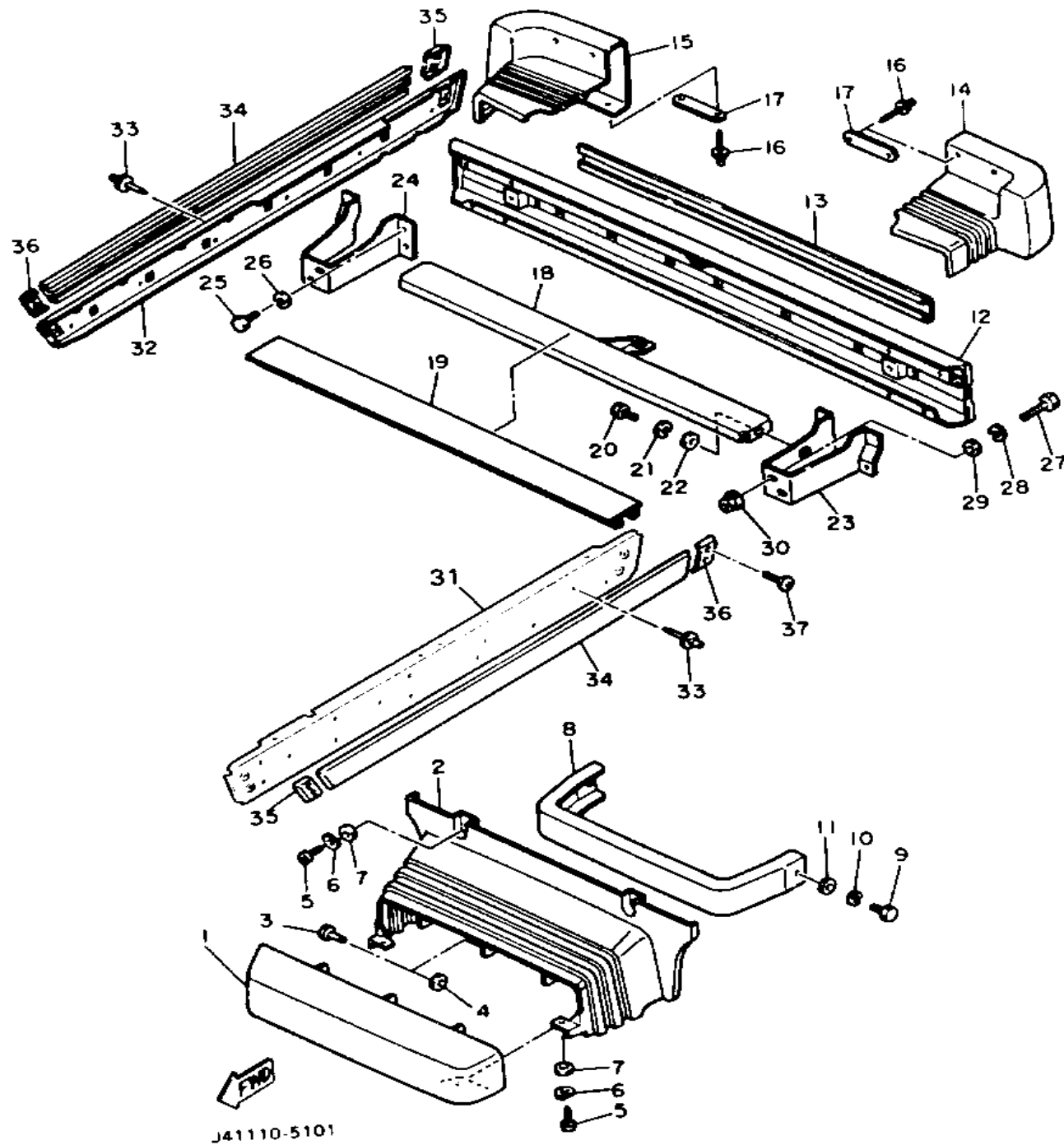
Ref. No.	Part Number	Description	Qty	Remarks
1	J38-46540-01-00	REAR AXLE HOUSING COMP.	1	
2	J38-46550-01-00	REAR AXLE HOUSING .....	1	
3	97312-08025-00	BOLT (97012-08025-00) .....	12	
4	92990-08100-00	WASHER, SPRING .....	12	
5	95811-10020-00	BOLT, FLANGE (95822-10020-00) .....	8	
6	J38-46510-00-00	REAR AXLE SHAFT COMP. ...	1	
7	90114-12004-00	. BOLT, RIBBED NECK .....	4	
8	J55-G6521-00-00	DRUM .....	2	
9	J55-F5100-00-00	FRONT WHEEL ASSEMBLY ..	2	
10	90179-12262-00	NUT .....	8	
11	J38-46520-00-00	REAR AXLE SHAFT COMP. 2 .	1	
12	90114-12004-00	. BOLT, RIBBED NECK .....	4	

## CONTENTS

ACCELERATOR	C3
AIR FILTER	A7-8
AIR SHROUD FAN	A6
BODY 1	D1-3
BODY 2	D4-6
BODY FITTING	D7-8
BRAKE 1	B10-12
BRAKE 2	C1
BRAKE 3	C2
BUMPER	C11-12
CAMSHAFT VALVE	A5
CARBURETOR	A9
CARRIER	D9-10
CRANKCASE	A11-12
CRANKSHAFT PISTON	A3-4
CYLINDER	A2
ELECTRICAL 1	E2
ELECTRICAL 2	E3-4
ENGINE BRACKET	B1
EXHAUST	A10
FRAME	B3
FRONT SUSPENSION WHEEL	B4-6
FUEL TANK	B9
GOVERNOR	C4
PRIMARY SHEAVE	C5
REAR AXLE WHEEL	C10
REAR SHOCKS	B2
SEAT	D11
SECONDARY SHEAVE	C6
STARTING MOTOR	D12, E1
STEERING	B7-8
TRANSMISSION	C7-9
-MODELS IN THIS CATALOG	E5

C10

# BUMPER



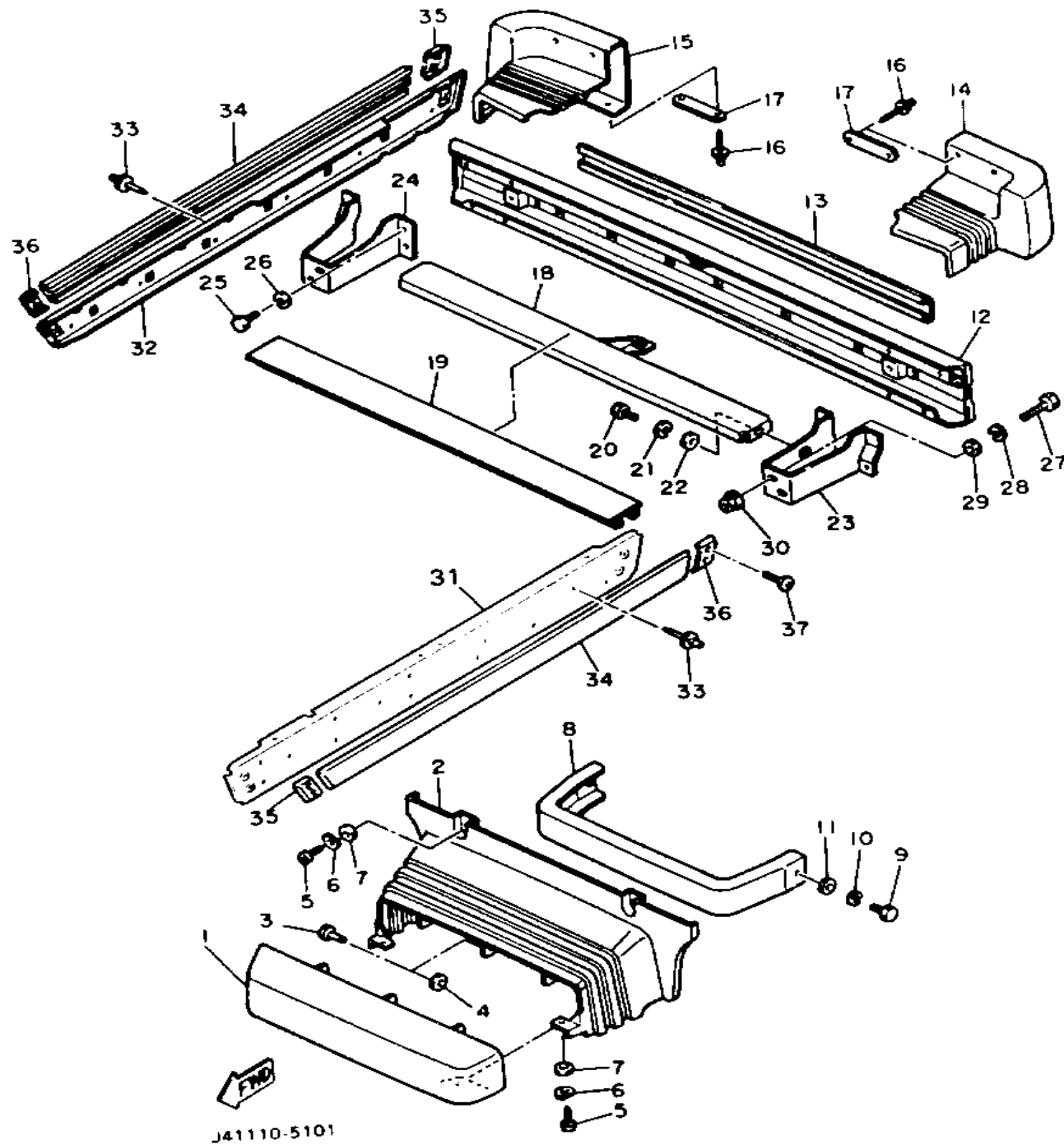
Ref. No.	Part Number	Description	Qty	Remarks
1	J55-K8162-00-00	PAD, FRONT BUMPER .....	1	
2	J55-K8163-00-00	COVER, BUMPER .....	1	
3	90269-06028-00	RIVET .....	3	
4	90201-076J4-00	WASHER, PLATE .....	3	
5	98506-05020-00	SCREW, PAN HEAD .....	4	
6	92906-05100-00	WASHER, SPRING .....	4	
7	90201-05033-00	WASHER, PLATE .....	4	
8	J55-K7511-00-00	BUMPER, FRONT 1 .....	1	
9	97022-08016-00	BOLT .....	2	
10	92990-08100-00	WASHER, SPRING .....	2	
11	92990-08600-00	WASHER, PLATE .....	2	
12	JG5-K8107-00-00	BUMPER SUB-ASSEMBLY, REAR .....	1	
13	J55-K8172-00-00	PAD, REAR BUMPER (J38-78172-00-00) .....	1	
14	J55-K8167-00-00	BUMPER, RUBBER 1 .....	1	
15	J55-K8168-00-00	BUMPER, RUBBER 2 .....	1	
16	90267-40077-00	RIVET, BLIND .....	8	
17	J17-77525-00-00	WASHER 1 .....	4	
18	J38-78179-01-00	PLATE, EXTENSION .....	1	
19	J55-K8178-00-00	COVER, EXTENSION PLATE (J38-78178-00-00) .....	1	
20	97016-08016-00	BOLT .....	3	
21	92906-08100-00	WASHER, SPRING .....	3	
22	92906-08600-00	WASHER .....	3	
23	J55-K8174-00-00	STAY, REAR BUMPER (J38-78174-01-00) .....	1	
24	J55-K8175-00-00	STAY, REAR BUMPER 2 (J38-78175-01-00) .....	1	
25	97016-08016-00	BOLT .....	6	
26	92906-08100-00	WASHER, SPRING .....	6	

## CONTENTS

ACCELERATOR	C3
AIR FILTER	A7-8
AIR SHROUD FAN	A6
BODY 1	D1-3
BODY 2	D4-6
BODY FITTING	D7-8
BRAKE 1	B10-12
BRAKE 2	C1
BRAKE 3	C2
BUMPER	C11-12
CAMSHAFT VALVE	A5
CARBURETOR	A9
CARRIER	D9-10
CRANKCASE	A11-12
CRANKSHAFT PISTON	A3-4
CYLINDER	A2
ELECTRICAL 1	E2
ELECTRICAL 2	E3-4
ENGINE BRACKET	B1
EXHAUST	A10
FRAME	B3
FRONT SUSPENSION WHEEL	B4-6
FUEL TANK	B9
GOVERNOR	C4
PRIMARY SHEAVE	C5
REAR AXLE WHEEL	C10
REAR SHOCKS	B2
SEAT	D11
SECONDARY SHEAVE	C6
STARTING MOTOR	D12, E1
STEERING	B7-8
TRANSMISSION	C7-9
-MODELS IN THIS CATALOG	E5

CONTINUED ON NEXT FRAME ►

# BUMPER



Ref. No.	Part Number	Description	Qty	Remarks
27	97026-08050-00	BOLT .....	4	
28	92906-08100-00	WASHER, SPRING .....	4	
29	92906-08600-00	WASHER .....	4	
30	95706-08500-00	NUT, FLANGE .....	4	
31	J55-WK811-00-00	PLATE, SIDE SILL KIT - LH ...	1	
32	J55-WK812-00-00	PLATE, SIDE SILL KIT - RH ...	1	
33	90267-48139-00	RIVET, BLIND .....	18	
34	J55-K818A-00-00	PROTECTOR, SIDE PLATE ...	2	
35	J38-7818E-00-00	CAP, PROTECT END 1 .....	2	
36	J38-7818F-00-00	CAP, PROTECT END 2 .....	2	
37	98606-06014-00	SCREW, OVAL HEAD .....	8	

## CONTENTS

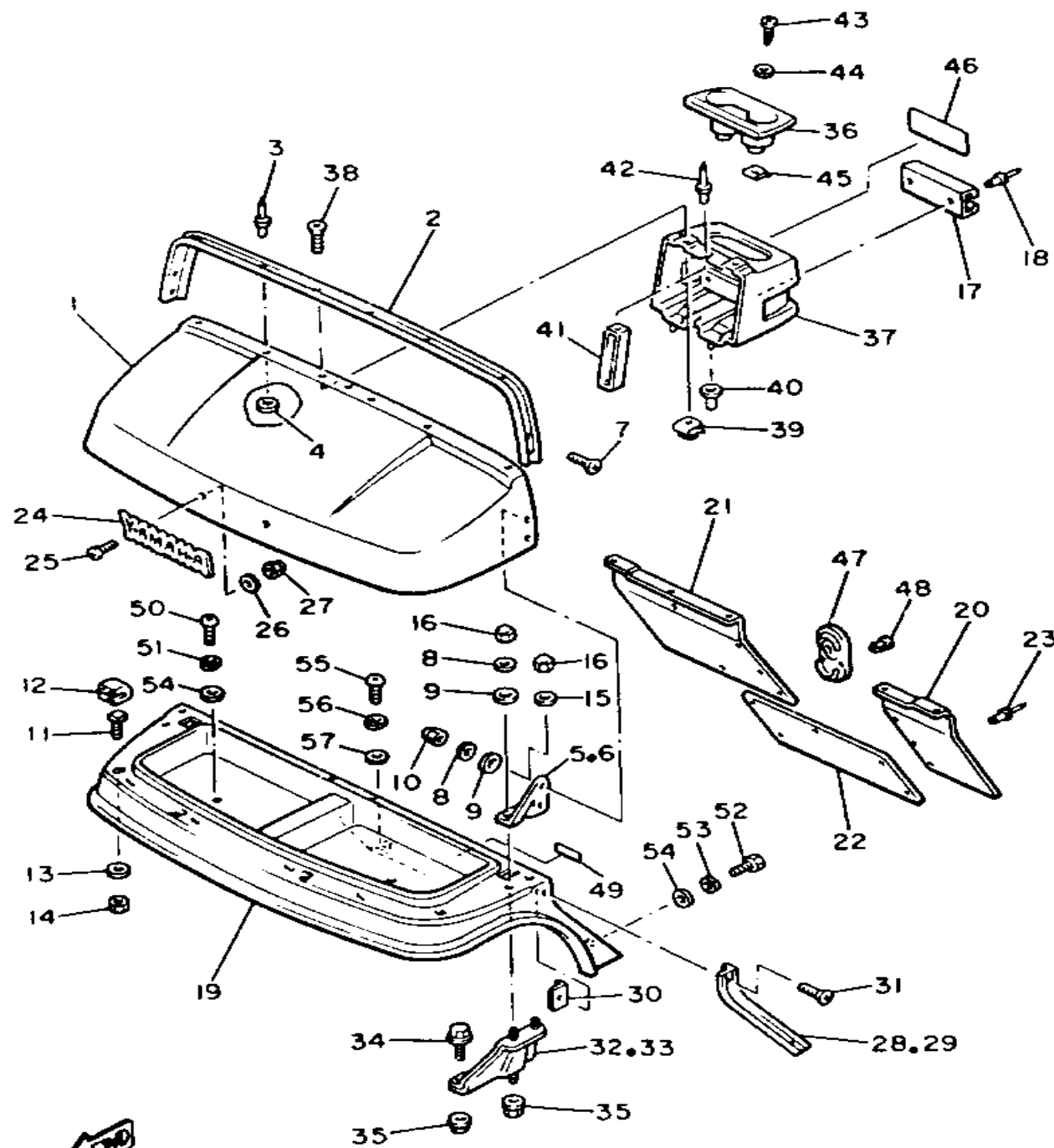
ACCELERATOR	C3
AIR FILTER	A7-8
AIR SHROUD FAN	A6
BODY 1	D1-3
BODY 2	D4-6
BODY FITTING	D7-8
BRAKE 1	B10-12
BRAKE 2	C1
BRAKE 3	C2
BUMPER	C11-12
CAMSHAFT VALVE	A5
CARBURETOR	A9
CARRIER	D9-10
CRANKCASE	A11-12
CRANKSHAFT PISTON	A3-4
CYLINDER	A2
ELECTRICAL 1	E2
ELECTRICAL 2	E3-4
ENGINE BRACKET	B1
EXHAUST	A10
FRAME	B3
FRONT SUSPENSION WHEEL	B4-6
FUEL TANK	B9
GOVERNOR	C4
PRIMARY SHEAVE	C5
REAR AXLE WHEEL	C10
REAR SHOCKS	B2
SEAT	D11
SECONDARY SHEAVE	C6
STARTING MOTOR	D12, E1
STEERING	B7-8
TRANSMISSION	C7-9
-MODELS IN THIS CATALOG	E5

# BODY 1

Ref. No.	Part Number	Description	Qty	Remarks
1	J55-K8116-00-00	COWL, FRONT UPPER	1	
2	J38-7811A-01-00	TRIM, UPPER COWL	1	
3	90267-48051-00	RIVET, BLIND	4	
4	90201-046J3-00	WASHER, PLATE	4	
5	J55-K811E-00-00	STAY, UPPER COWL (L.H.) (J38-7811E-01-00)	1	
6	J55-K811F-00-00	STAY, UPPER COWL (R.H.) (J38-7811F-01-00)	1	
7	90151-06039-00	SCREW, COUNTERSUNK	4	
8	92990-06200-00	WASHER, PLAIN	6	
9	90202-06172-00	WASHER, PLATE	6	
10	95380-06800-00	NUT	4	
11	J38-7811G-00-00	BOLT, COWL FITTING	4	
12	J38-7811H-00-00	RETAINER, COWL FITTING	4	
13	90201-065F3-00	WASHER, PLATE	4	
14	95601-06100-00	NUT, U	4	
15	90201-062G3-00	WASHER, PLATE	2	
16	95380-06800-00	NUT	4	
17	J55-K835A-00-00	HOLDER, BALL	1	
18	90267-63047-00	RIVET, BLIND	2	
19	J55-K8115-01-00	COWL, FRONT (J38-78115-02-00)	1	
20	J55-K8231-00-00	MAT, MAIN FLOOR 1 (J38-78231-01-00)	1	
21	J55-K8232-00-00	MAT, MAIN FLOOR 2 (J38-78232-01-00)	1	
22	J55-K8236-00-00	MAT, PEDAL FLOOR (J38-78236-01-00)	1	
23	90267-63047-00	RIVET, BLIND	16	
24	J38-24161-00-00	EMBLEM 1	1	
25	90152-04015-00	SCREW, COUNTERSUNK	2	
26	92906-04200-00	WASHER, PLAIN	2	

## CONTENTS

ACCELERATOR	C3
AIR FILTER	A7-8
AIR SHROUD FAN	A6
BODY 1	D1-3
BODY 2	D4-6
BODY FITTING	D7-8
BRAKE 1	B10-12
BRAKE 2	C1
BRAKE 3	C2
BUMPER	C11-12
CAMSHAFT VALVE	A5
CARBURETOR	A9
CARRIER	D9-10
CRANKCASE	A11-12
CRANKSHAFT PISTON	A3-4
CYLINDER	A2
ELECTRICAL 1	E2
ELECTRICAL 2	E3-4
ENGINE BRACKET	B1
EXHAUST	A10
FRAME	B3
FRONT SUSPENSION WHEEL	B4-6
FUEL TANK	B9
GOVERNOR	C4
PRIMARY SHEAVE	C5
REAR AXLE WHEEL	C10
REAR SHOCKS	B2
SEAT	D11
SECONDARY SHEAVE	C6
STARTING MOTOR	D12, E1
STEERING	B7-8
TRANSMISSION	C7-9
-MODELS IN THIS CATALOG	E5



J38100-7240

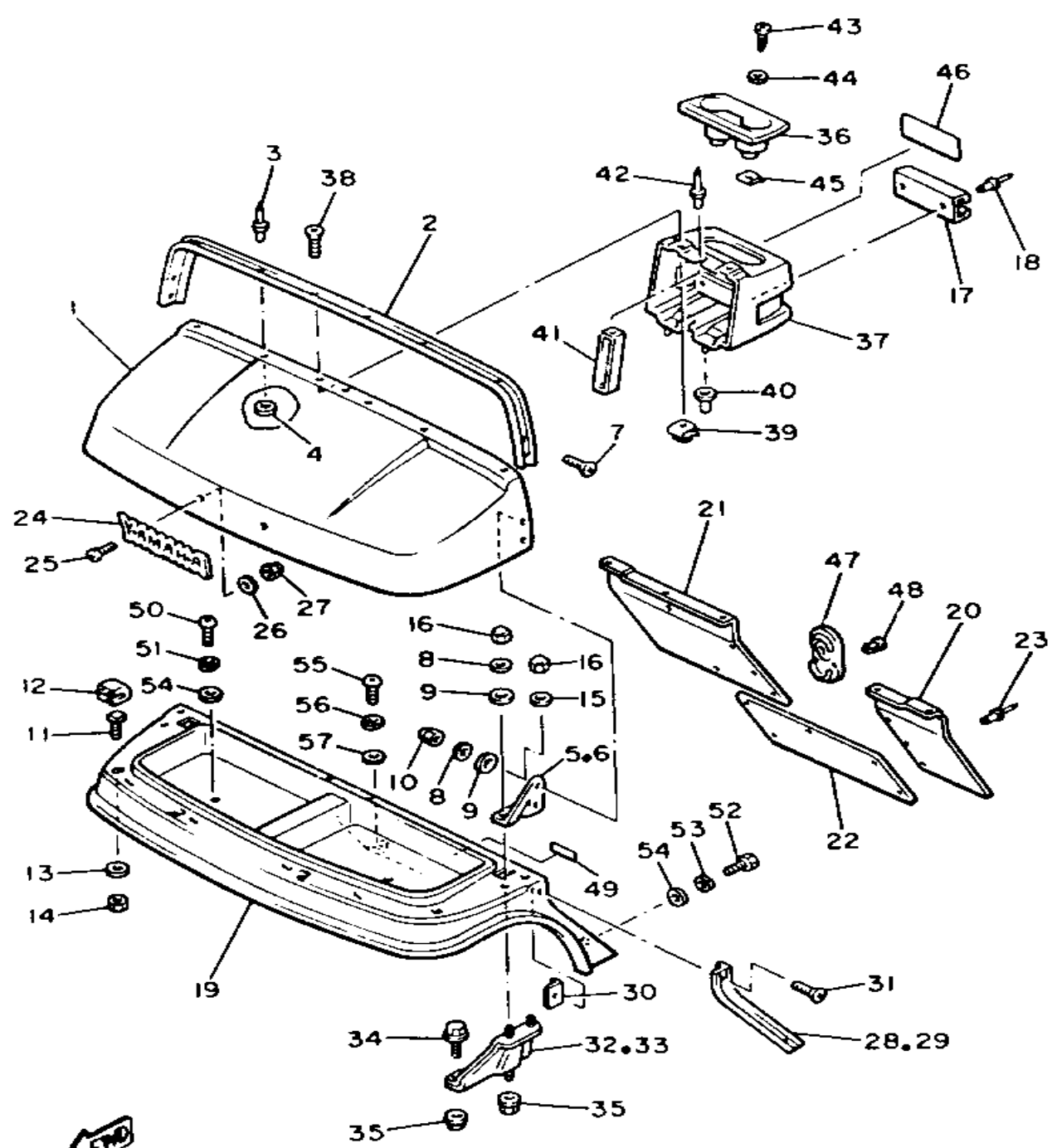
CONTINUED ON NEXT FRAME ►

# BODY 1

Ref. No.	Part Number	Description	Qty	Remarks
27	95606-04100-00	NUT, U .....	2	
28	J38-7811L-00-00	TRIM, COWL SIDE (L.H.) .....	1	
29	J38-7811M-00-00	TRIM, COWL SIDE (R.H.) .....	1	
30	J38-7811K-00-00	NUT, TRIM FITTING .....	4	
31	90151-06039-00	SCREW, COUNTERSUNK .....	4	
32	J38-7812E-01-00	SUPPORT, UPPER COWL (L.H.)	1	
33	J38-7812F-01-00	SUPPORT, UPPER COWL (R.H.)	1	
34	95811-08016-00	BOLT, FLANGE .....	2	
35	95701-08500-00	NUT, FLANGE (95702-08500-00)	4	
36	J55-K835E-00-00	HOLDER, BEVERAGE (J38-7835E-03-00) .....	1	
37	J55-K835G-00-00	HOUSING, HOLDER (J38-7835G-01-00) .....	1	
38	90151-06040-00	SCREW, COUNTERSUNK .....	2	
39	J38-78145-00-00	NUT, REAR BODY MOUNTING	2	
40	90480-12355-00	GROMMET .....	2	
41	J38-7834A-00-00	REINF., HOLDER .....	1	
42	90267-48086-00	RIVET, BLIND .....	2	
43	97780-50125-00	SCREW, TAPPING .....	2	
44	90201-05556-00	WASHER, PLATE .....	2	
45	90183-05001-00	NUT, SPRING .....	2	
46	J55-77768-10-00	LABEL, WARNING (J38-77768-10-00) .....	1	
47	J38-78273-00-00	COVER, HOLE .....	1	
48	90269-11042-00	RIVET .....	2	
49	J38-77767-10-00	LABEL, WARNING 7 .....	1	
50	98580-06020-00	SCREW .....	2	
51	92995-06100-00	WASHER, SPRING .....	2	
52	97395-06020-00	BOLT, HEXAGON .....	2	
53	92990-06100-00	WASHER, SPRING .....	2	
54	90201-06697-00	WASHER, PLATE .....	4	

## CONTENTS

ACCELERATOR	C3
AIR FILTER	A7-8
AIR SHROUD FAN	A6
BODY 1	D1-3
BODY 2	D4-6
BODY FITTING	D7-8
BRAKE 1	B10-12
BRAKE 2	C1
BRAKE 3	C2
BUMPER	C11-12
CAMSHAFT VALVE	A5
CARBURETOR	A9
CARRIER	D9-10
CRANKCASE	A11-12
CRANKSHAFT PISTON	A3-4
CYLINDER	A2
ELECTRICAL 1	E2
ELECTRICAL 2	E3-4
ENGINE BRACKET	B1
EXHAUST	A10
FRAME	B3
FRONT SUSPENSION WHEEL	B4-6
FUEL TANK	B9
GOVERNOR	C4
PRIMARY SHEAVE	C5
REAR AXLE WHEEL	C10
REAR SHOCKS	B2
SEAT	D11
SECONDARY SHEAVE	C6
STARTING MOTOR	D12, E1
STEERING	B7-8
TRANSMISSION	C7-9
-MODELS IN THIS CATALOG	E5



J38100-7240

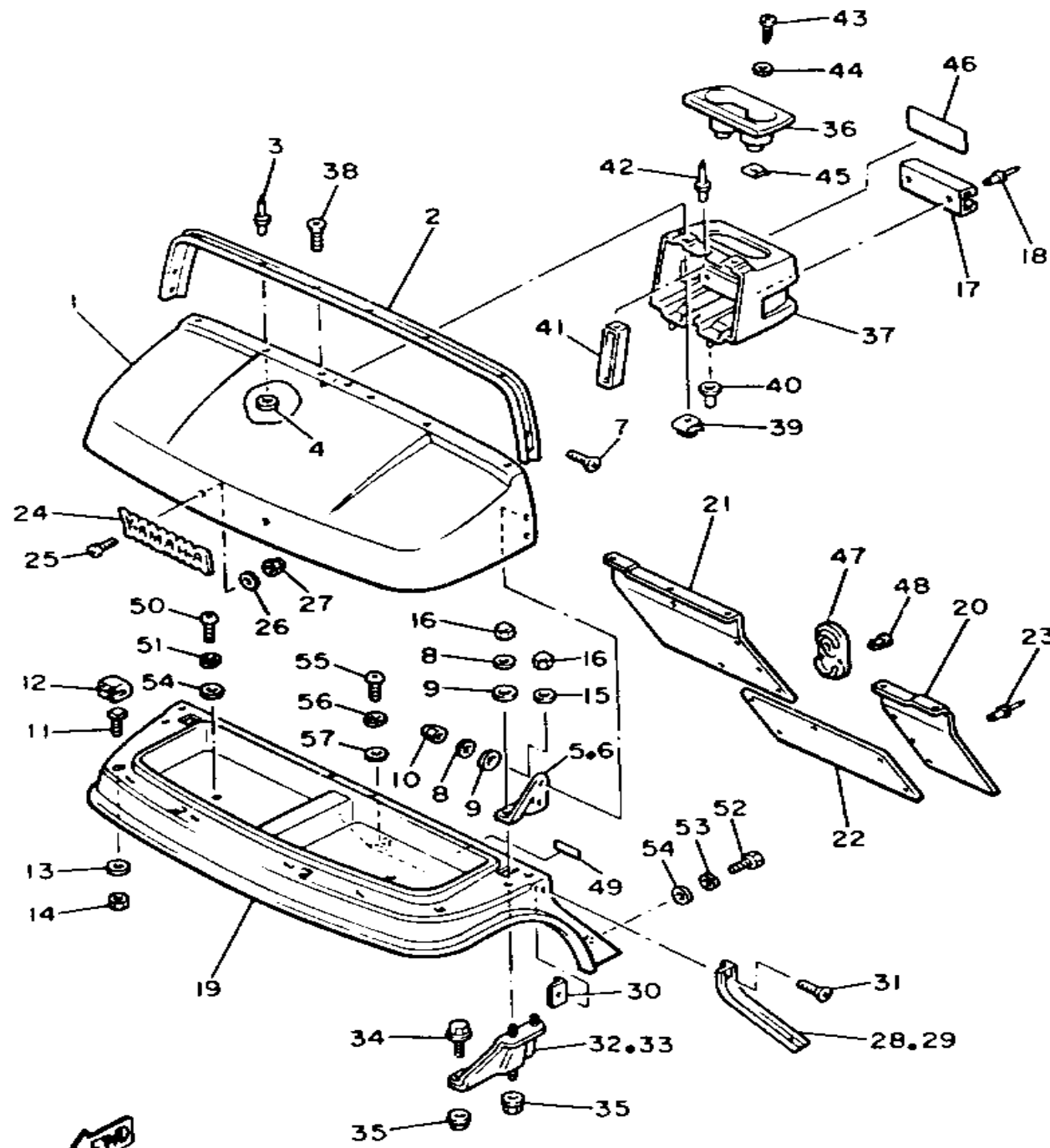
CONTINUED ON NEXT FRAME >

# BODY 1

Ref. No.	Part Number	Description	Qty	Remarks
55	92580-06020-00	SCREW, PAN HEAD .....	1	
56	92995-06100-00	WASHER, SPRING .....	1	
57	90201-06049-00	WASHER, PLATE .....	1	

## CONTENTS

ACCELERATOR	C3
AIR FILTER	A7-8
AIR SHROUD FAN	A6
BODY 1	D1-3
BODY 2	D4-6
BODY FITTING	D7-8
BRAKE 1	B10-12
BRAKE 2	C1
BRAKE 3	C2
BUMPER	C11-12
CAMSHAFT VALVE	A5
CARBURETOR	A9
CARRIER	D9-10
CRANKCASE	A11-12
CRANKSHAFT PISTON	A3-4
CYLINDER	A2
ELECTRICAL 1	E2
ELECTRICAL 2	E3-4
ENGINE BRACKET	B1
EXHAUST	A10
FRAME	B3
FRONT SUSPENSION WHEEL	B4-6
FUEL TANK	B9
GOVERNOR	C4
PRIMARY SHEAVE	C5
REAR AXLE WHEEL	C10
REAR SHOCKS	B2
SEAT	D11
SECONDARY SHEAVE	C6
STARTING MOTOR	D12, E1
STEERING	B7-8
TRANSMISSION	C7-9
-MODELS IN THIS CATALOG	E5



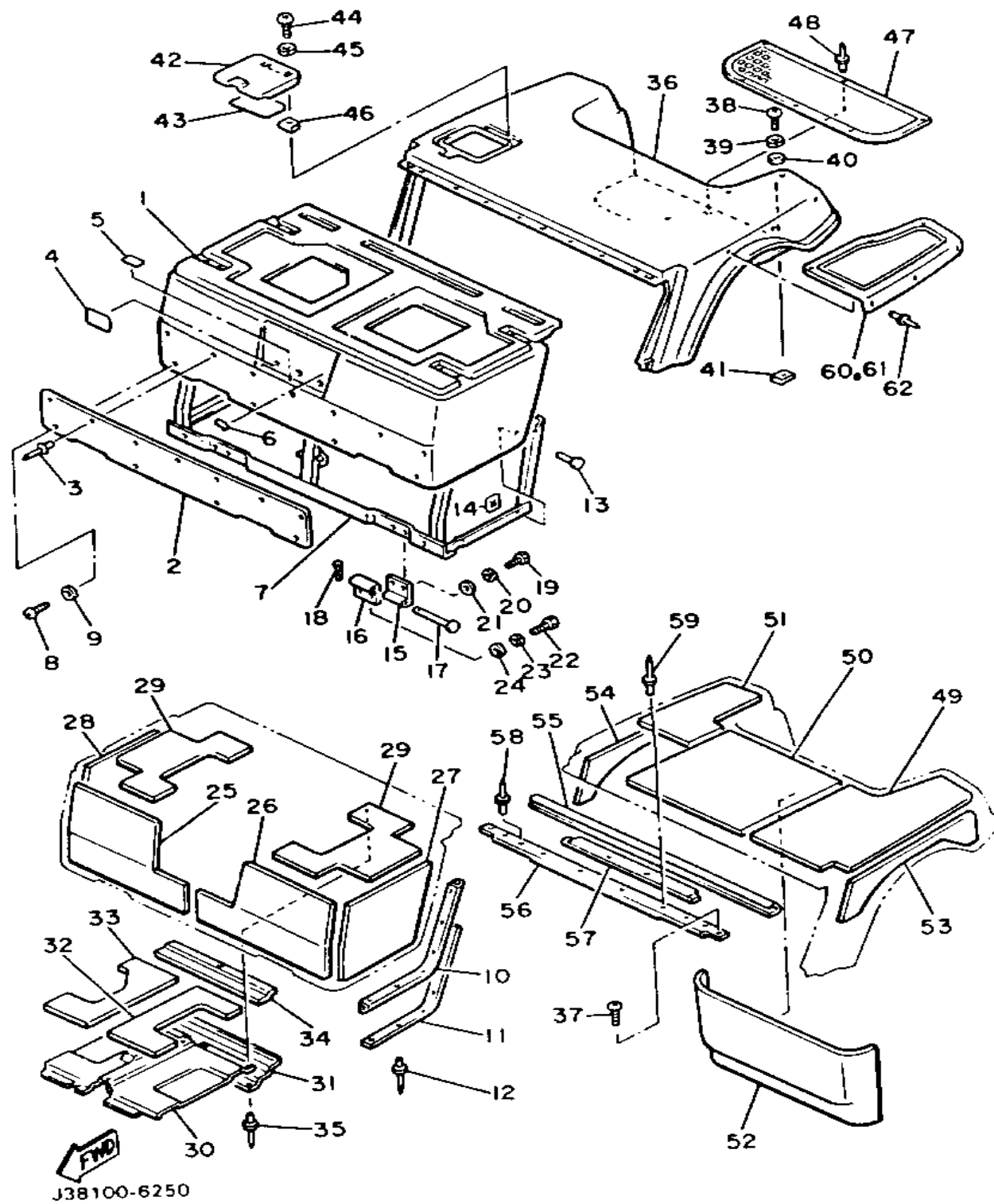
J38100-7240

# BODY 2

Ref. No.	Part Number	Description	Qty	Remarks
1	J55-K8141-00-00	PANEL, INTERMEDIATE BODY	1	
2	J38-7814N-00-00	PLATE, ORNAMENT	1	
3	90267-40131-00	RIVET, BLIND	7	
4	J41-77458-10-00	LABEL, WARNING (J41-77458-00-00-00)	1	
5	J38-77741-10-00	INDICATOR 1	1	
6	J38-77742-00-00	INDICATOR 2	1	
7	J55-K8121-00-00	REINFORCEMENT 1	1	
8	98980-06016-00	SCREW, BINDING	4	
9	90201-06697-00	WASHER, PLATE	4	
10	J38-7814F-00-00	SEAL, BODY SIDE 2	2	
11	J38-7815A-00-00	PLATE, SEAL SUPPORT 1	2	
12	90267-40054-00	RIVET, BLIND	12	
13	90338-06169-00	PLUG	2	
14	90183-06011-00	NUT, SPRING	2	
15	J55-K8143-00-00	HINGE, INTERMEDIATE BODY 1	2	
16	J55-K8144-00-00	HINGE, INTERMEDIATE BODY 2	2	
17	91790-06125-00	PIN, CLEVIS	2	
18	91490-20015-00	PIN, COTTER	2	
19	97003-06012-00	BOLT (97001-06012-00)	4	
20	92995-06100-00	WASHER, SPRING	4	
21	92990-06600-00	WASHER, PLATE	4	
22	97003-06020-00	BOLT (97303-06020-00)	4	
23	92995-06100-00	WASHER, SPRING	4	
24	92990-06600-00	WASHER, PLATE	4	
25	J55-K8251-00-00	PAD, SILENCER 1	1	
26	J55-K8252-00-00	PAD, SILENCER 2	1	
27	J55-K8253-00-00	PAD, SILENCER 3	1	
28	J55-K8254-00-00	PAD, SILENCER 4	1	

## CONTENTS

ACCELERATOR	C3
AIR FILTER	A7-8
AIR SHROUD FAN	A6
BODY 1	D1-3
BODY 2	D4-6
BODY FITTING	D7-8
BRAKE 1	B10-12
BRAKE 2	C1
BRAKE 3	C2
BUMPER	C11-12
CAMSHAFT VALVE	A5
CARBURETOR	A9
CARRIER	D9-10
CRANKCASE	A11-12
CRANKSHAFT PISTON	A3-4
CYLINDER	A2
ELECTRICAL 1	E2
ELECTRICAL 2	E3-4
ENGINE BRACKET	B1
EXHAUST	A10
FRAME	B3
FRONT SUSPENSION WHEEL	B4-6
FUEL TANK	B9
GOVERNOR	C4
PRIMARY SHEAVE	C5
REAR AXLE WHEEL	C10
REAR SHOCKS	B2
SEAT	D11
SECONDARY SHEAVE	C6
STARTING MOTOR	D12, E1
STEERING	B7-8
TRANSMISSION	C7-9
-MODELS IN THIS CATALOG	E5



CONTINUED ON NEXT FRAME ►

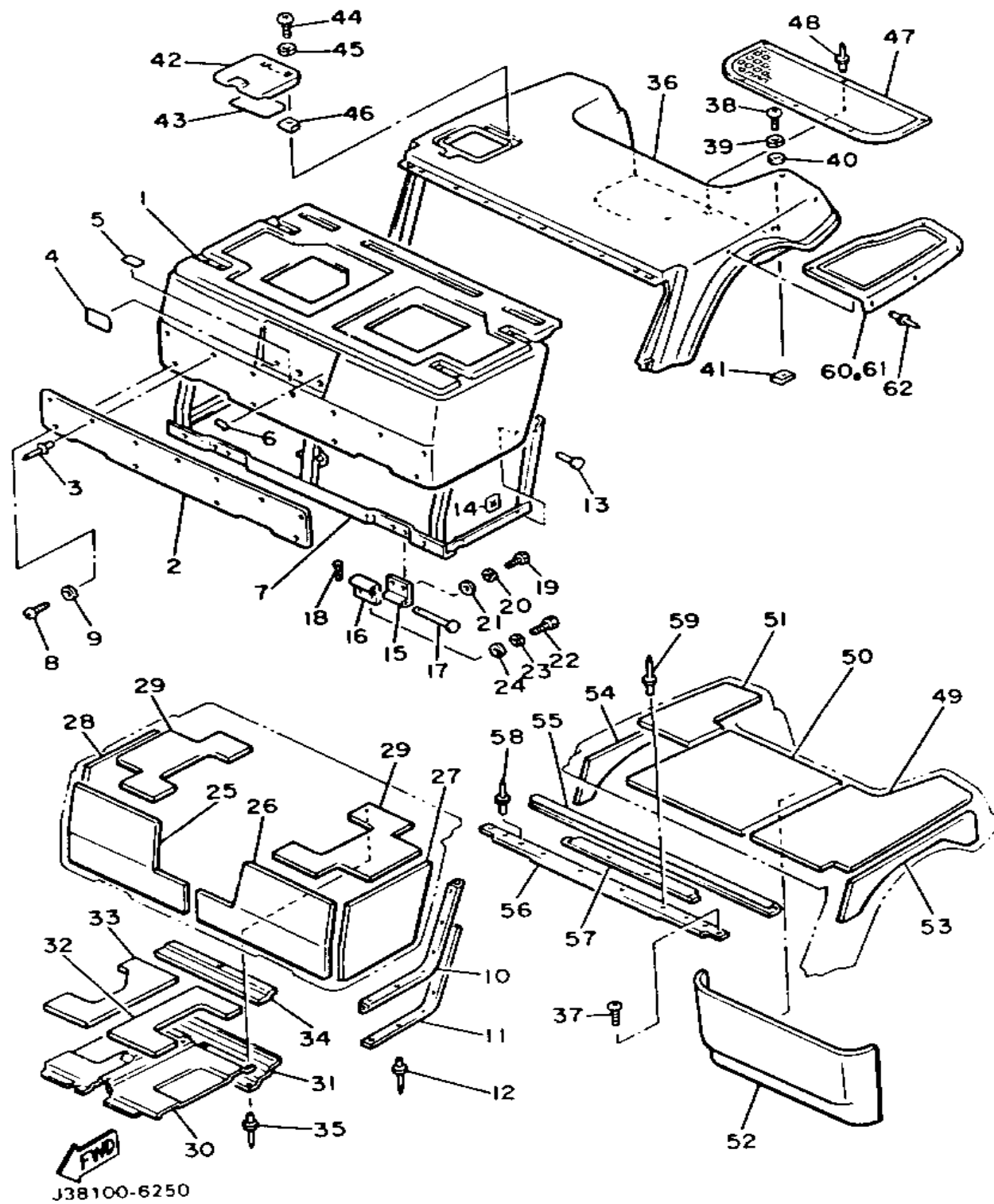


# BODY 2

Ref. No.	Part Number	Description	Qty	Remarks
29	J55-K825K-00-00	PAD, SILENCER 6	2	
30	J55-K8261-00-00	PLATE, BODY PROTECT 1	1	
31	J55-K8262-00-00	PLATE, BODY PROTECT 2	1	
32	J55-K826A-00-00	PAD, BODY PROTECT 1	1	
33	J55-K826E-00-00	PAD, BODY PROTECT 2	1	
34	J55-K826F-00-00	PAD, BODY PROTECT 3	1	
35	90267-40054-00	RIVET, BLIND	10	
36	J55-K8142-00-00	PANEL, REAR BODY	1	
37	98902-06025-00	SCREW, BIND	3	
38	92580-06020-00	SCREW, PAN HEAD	2	
39	92995-06100-00	WASHER, SPRING	2	
40	90201-065F3-00	WASHER, PLATE	2	
41	90183-06028-00	NUT, SPRING	2	
42	J55-K8272-00-00	COVER, FUEL INLET	1	
43	J38-77764-10-00	LABEL, WARNING 4	1	
44	98511-04012-00	SCREW, PAN HEAD	2	
45	92901-04100-00	WASHER, SPRING	2	
46	J55-K8272-00-00	COVER, FUEL INLET	2	
47	J55-K8241-00-00	MAT, REAR FLOOR (J38-78241-00-00)	1	
48	90267-63047-00	RIVET, BLIND	6	
49	J55-K8255-00-00	PAD, SILENCER 5	1	
50	J38-78256-00-00	PAD, SILENCER 6	1	
51	J55-K8257-00-00	PAD, SILENCER 7	1	
52	J55-K8258-00-00	PAD, SILENCER 8	1	
53	J55-K825L-00-00	PAD, SILENCER 17 (J38-7825L-00-00)	1	
54	J55-K825J-00-00	PAD, SILENCER 15 (J38-7825J-00-00)	1	
55	J38-7814A-00-00	SEAL, BODY UPPER	1	
56	J55-K815F-00-00	PLATE, SEAL SUPPORT 3	1	

## CONTENTS

ACCELERATOR	C3
AIR FILTER	A7-8
AIR SHROUD FAN	A6
BODY 1	D1-3
BODY 2	D4-6
BODY FITTING	D7-8
BRAKE 1	B10-12
BRAKE 2	C1
BRAKE 3	C2
BUMPER	C11-12
CAMSHAFT VALVE	A5
CARBURETOR	A9
CARRIER	D9-10
CRANKCASE	A11-12
CRANKSHAFT PISTON	A3-4
CYLINDER	A2
ELECTRICAL 1	E2
ELECTRICAL 2	E3-4
ENGINE BRACKET	B1
EXHAUST	A10
FRAME	B3
FRONT SUSPENSION WHEEL	B4-6
FUEL TANK	B9
GOVERNOR	C4
PRIMARY SHEAVE	C5
REAR AXLE WHEEL	C10
REAR SHOCKS	B2
SEAT	D11
SECONDARY SHEAVE	C6
STARTING MOTOR	D12, E1
STEERING	B7-8
TRANSMISSION	C7-9
-MODELS IN THIS CATALOG	E5



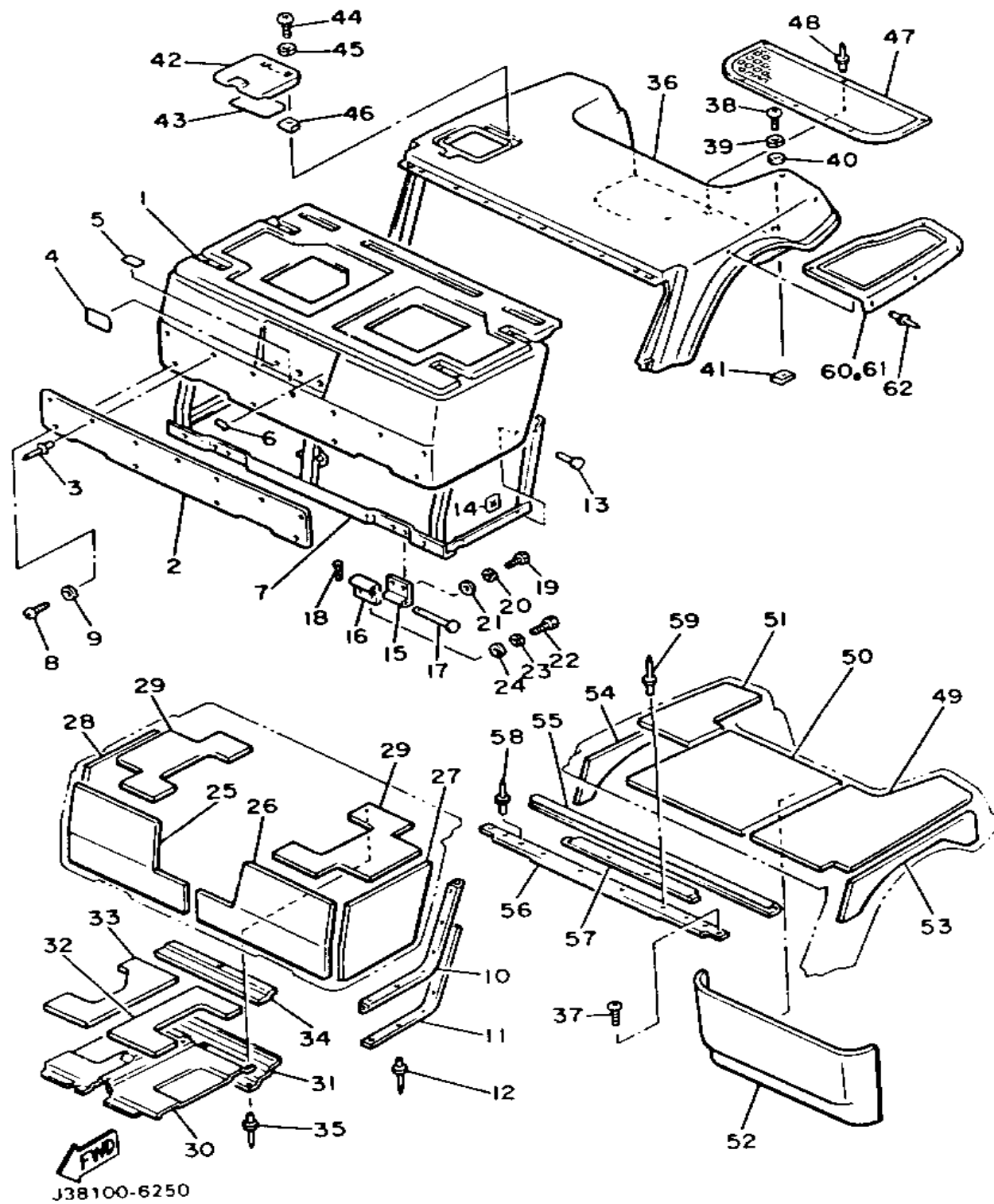
CONTINUED ON NEXT FRAME ►

# BODY 2

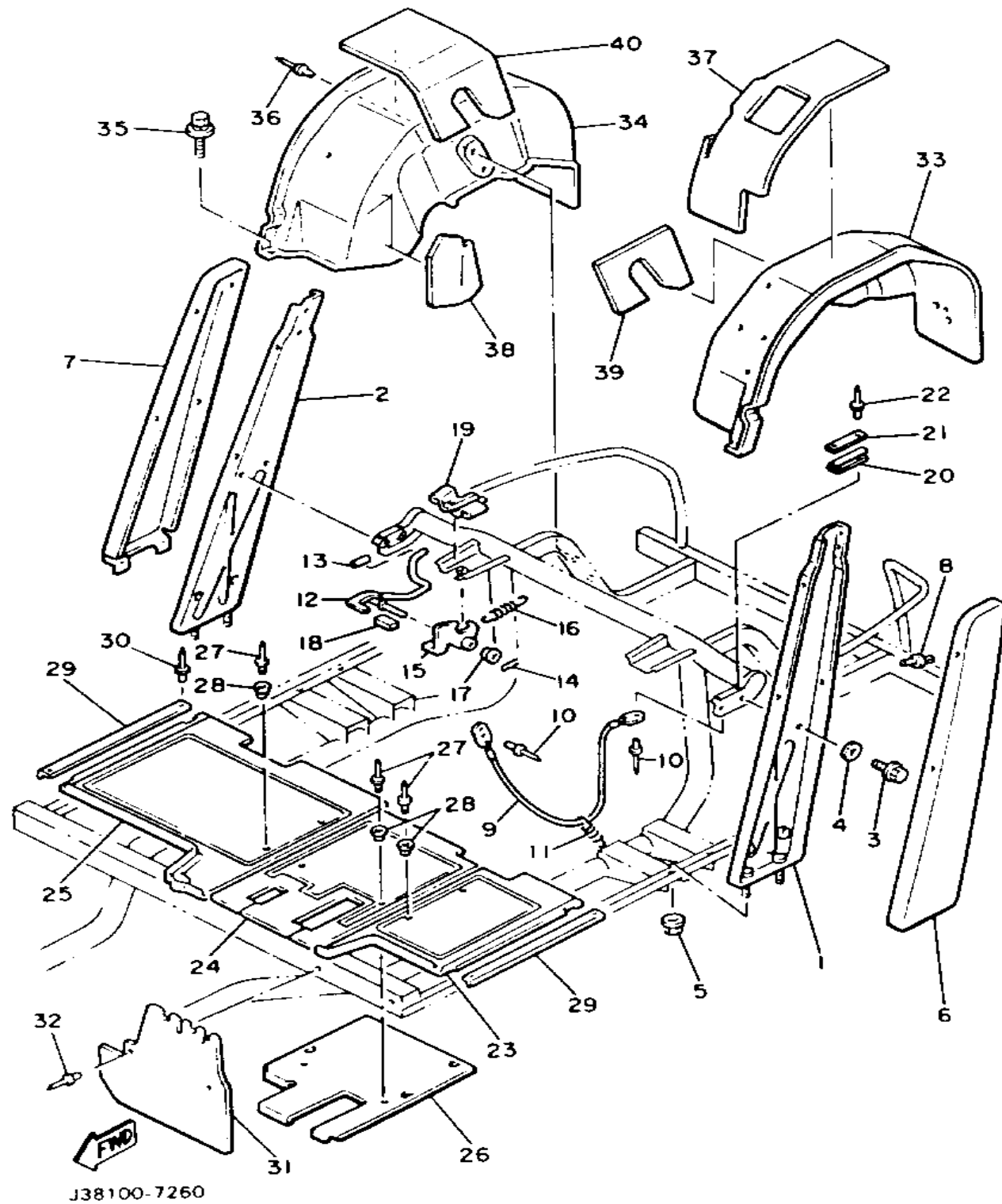
Ref. No.	Part Number	Description	Qty	Remarks
57	J38-7826G-00-00	PAD, BODY PROTECT 4	1	
58	90267-40077-00	RIVET, BLIND	4	
59	90267-40129-00	RIVET, BLIND	3	
60	J55-K8243-00-00	MAT, REAR BODY SIDE (LH)	1	
61	J55-K8244-00-00	MAT, REAR BODY SIDE (RH)	1	
62	90267-63047-00	RIVET, BLIND	12	

## CONTENTS

ACCELERATOR	C3
AIR FILTER	A7-8
AIR SHROUD FAN	A6
BODY 1	D1-3
BODY 2	D4-6
BODY FITTING	D7-8
BRAKE 1	B10-12
BRAKE 2	C1
BRAKE 3	C2
BUMPER	C11-12
CAMSHAFT VALVE	A5
CARBURETOR	A9
CARRIER	D9-10
CRANKCASE	A11-12
CRANKSHAFT PISTON	A3-4
CYLINDER	A2
ELECTRICAL 1	E2
ELECTRICAL 2	E3-4
ENGINE BRACKET	B1
EXHAUST	A10
FRAME	B3
FRONT SUSPENSION WHEEL	B4-6
FUEL TANK	B9
GOVERNOR	C4
PRIMARY SHEAVE	C5
REAR AXLE WHEEL	C10
REAR SHOCKS	B2
SEAT	D11
SECONDARY SHEAVE	C6
STARTING MOTOR	D12, E1
STEERING	B7-8
TRANSMISSION	C7-9
-MODELS IN THIS CATALOG	E5



# BODY FITTING



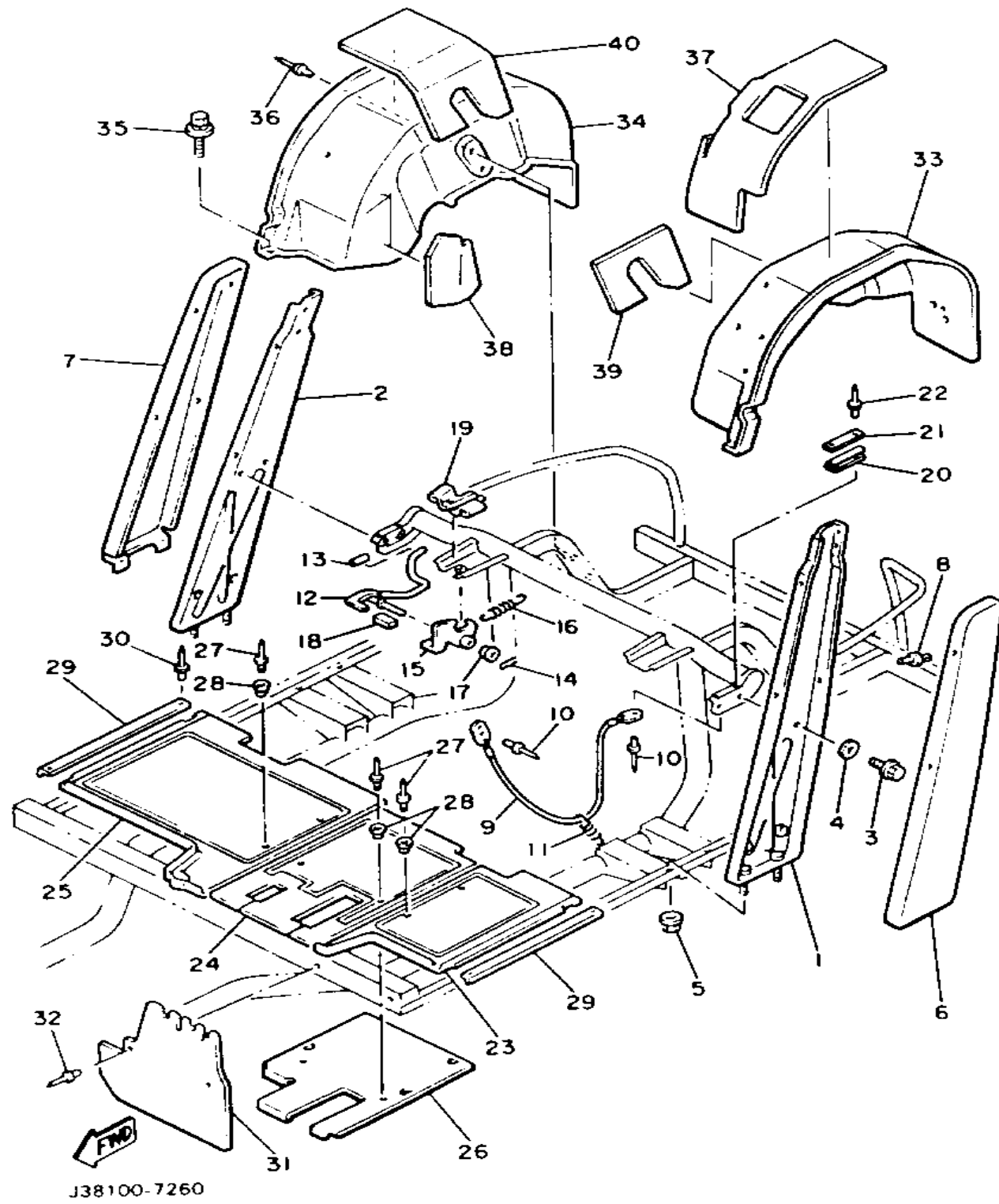
Ref. No.	Part Number	Description	Qty	Remarks
1	J55-K813A-00-00	PILLAR, SIDE (L.H) (J38-7813A-01-00)	1	
2	J55-K813E-00-00	PILLAR, SIDE (R.H.) (J38-7813E-01-00)	1	
3	95811-08016-00	BOLT, FLANGE	4	
4	90201-08730-00	WASHER, PLATE	4	
5	95701-06500-00	NUT, FLANGE	4	
6	J55-K813F-00-00	COVER, SIDE PILLAR (L.H)	1	
7	J55-K813G-00-00	COVER, SIDE PILLAR (R.H)	1	
8	90267-63134-00	RIVET, BLIND	8	
9	J39-78229-00-00	WIRE, SEAT STOPPER	1	
10	90267-40087-00	RIVET, BLIND	2	
11	90507-08037-00	SPRING, TENSION	1	
12	J38-7814G-01-00	LEVER, BODY LOCK	1	
13	90445-11147-00	HOSE	1	
14	90468-18008-00	CLIP	1	
15	J38-7814H-01-00	HOOK, BODY LOCK	1	
16	90506-18374-00	SPRING, TENSION	1	
17	J38-7814L-01-00	BUSH, LEVER END	2	
18	J38-7815H-00-00	DAMPER, LOCK	1	
19	J38-78221-00-00	SHEET, BODY MOUNTING 1	2	
20	J38-7814E-00-00	SEAL, BODY SIDE 1	2	
21	J38-7815E-00-00	PLATE, SEAL SUPPORT 2	2	
22	90267-40054-00	RIVET, BLIND	4	
23	J38-78203-00-00	FLOOR MAT COMP. 3	1	
24	J55-K8234-00-00	MAT, MAIN FLOOR 4	1	
25	J38-78205-00-00	FLOOR MAT COMP. 5	1	
26	J55-K8271-00-00	SERVICE LID, PEDAL	1	
27	90267-48086-00	RIVET, BLIND	6	
28	90387-081R2-00	COLLAR	6	
29	J38-78215-00-00	PLATE, SIDE TRIM	2	

## CONTENTS

ACCELERATOR	C3
AIR FILTER	A7-8
AIR SHROUD FAN	A6
BODY 1	D1-3
BODY 2	D4-6
BODY FITTING	D7-8
BRAKE 1	B10-12
BRAKE 2	C1
BRAKE 3	C2
BUMPER	C11-12
CAMSHAFT VALVE	A5
CARBURETOR	A9
CARRIER	D9-10
CRANKCASE	A11-12
CRANKSHAFT PISTON	A3-4
CYLINDER	A2
ELECTRICAL 1	E2
ELECTRICAL 2	E3-4
ENGINE BRACKET	B1
EXHAUST	A10
FRAME	B3
FRONT SUSPENSION WHEEL	B4-6
FUEL TANK	B9
GOVERNOR	C4
PRIMARY SHEAVE	C5
REAR AXLE WHEEL	C10
REAR SHOCKS	B2
SEAT	D11
SECONDARY SHEAVE	C6
STARTING MOTOR	D12, E1
STEERING	B7-8
TRANSMISSION	C7-9
-MODELS IN THIS CATALOG	E5

CONTINUED ON NEXT FRAME >

# BODY FITTING

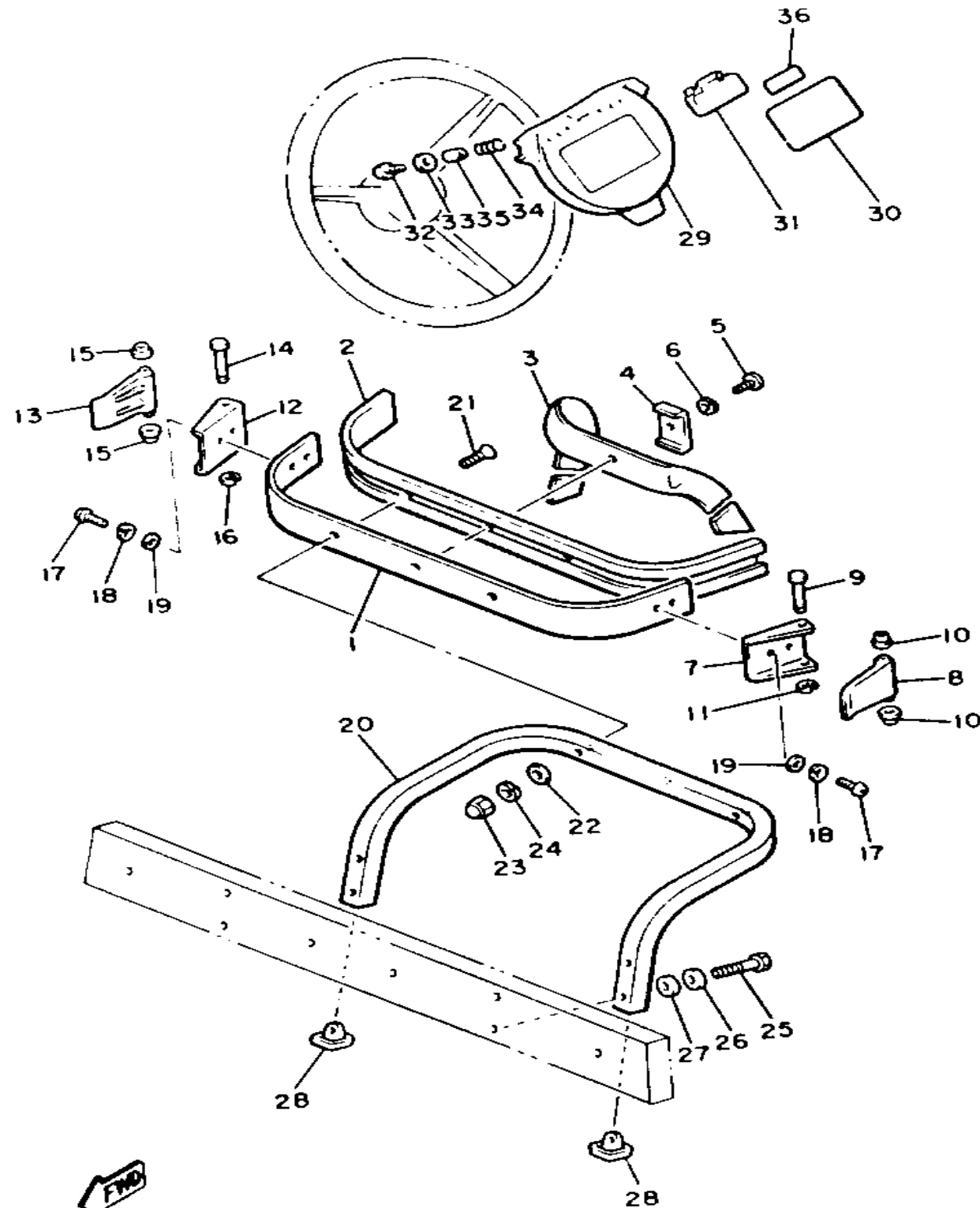


Ref. No.	Part Number	Description	Qty	Remarks
30	90267-40115-00	RIVET, BLIND .....	4	
31	J55-K8187-00-00	FLAP, FRONT FENDER (J38-78187-01-00) .....	2	
32	90267-48101-00	RIVET, BLIND .....	4	
33	J55-K8191-00-00	PANEL, REAR FENDER1 .....	1	
34	J55-K8192-00-00	PANEL, REAR FENDER 2 .....	1	
35	90119-06108-00	BOLT, WITH WASHER .....	2	
36	90267-48101-00	RIVET, BLIND .....	6	
37	J55-K8259-00-00	PAD, SILENCER 9 (J38-78259-00-00) .....	1	
38	J55-K825A-00-00	PAD, SILENCER 10 (J38-7825A-00-00) .....	1	
39	J55-K825F-00-00	PAD, SILENCER 12 (J38-7825F-00-00) .....	1	
40	J55-K825G-00-00	PAD, SILENCER 13 (J38-7825G-00-00) .....	1	

## CONTENTS

ACCELERATOR	C3
AIR FILTER	A7-8
AIR SHROUD FAN	A6
BODY 1	D1-3
BODY 2	D4-6
BODY FITTING	D7-8
BRAKE 1	B10-12
BRAKE 2	C1
BRAKE 3	C2
BUMPER	C11-12
CAMSHAFT VALVE	A5
CARBURETOR	A9
CARRIER	D9-10
CRANKCASE	A11-12
CRANKSHAFT PISTON	A3-4
CYLINDER	A2
ELECTRICAL 1	E2
ELECTRICAL 2	E3-4
ENGINE BRACKET	B1
EXHAUST	A10
FRAME	B3
FRONT SUSPENSION WHEEL	B4-6
FUEL TANK	B9
GOVERNOR	C4
PRIMARY SHEAVE	C5
REAR AXLE WHEEL	C10
REAR SHOCKS	B2
SEAT	D11
SECONDARY SHEAVE	C6
STARTING MOTOR	D12, E1
STEERING	B7-8
TRANSMISSION	C7-9
-MODELS IN THIS CATALOG	E5

# CARRIER



Ref. No.	Part Number	Description	Qty	Remarks
1	J55-K8351-00-00	SUPPORT, BAG UPPER (J38-78351-00-00)	1	
2	J38-78356-00-00	PAD, BAG SUPPORT	1	
3	J38-78355-00-00	BAND	1	
4	J38-78367-00-00	PLATE, ANCHOR	1	
5	98980-06016-00	SCREW, BINDING	1	
6	92995-06100-00	WASHER, SPRING	1	
7	J17-78157-01-00	BASE, LOCK	1	
8	J17-78368-01-00	LEVER, LOCK	1	
9	J17-78369-00-00	PIN, LEVER	1	
10	90386-06108-00	BUSH	2	
11	99080-05600-00	CIRCLIP	1	
12	J17-78157-01-00	BASE, LOCK	1	
13	J17-78368-01-00	LEVER, LOCK	1	
14	J17-78369-00-00	PIN, LEVER	1	
15	90386-06108-00	BUSH	2	
16	99080-05600-00	CIRCLIP	1	
17	98580-06010-00	SCREW, PAN HEAD (92503-06010-00)	4	
18	92995-06100-00	WASHER, SPRING	4	
19	92990-06200-00	WASHER, PLAIN	4	
20	J55-K8352-00-00	SUPPORT, BAG LOWER 1 (J38-78352-01-00)	1	
21	98701-08040-00	SCREW, FLAT HEAD (92701-08040-00)	2	
22	90202-08022-00	WASHER, PLATE	2	
23	95380-08800-00	NUT, CROWN	2	
24	92990-08100-00	WASHER, SPRING	2	
25	90101-08649-00	BOLT	4	
26	90202-08022-00	WASHER, PLATE	4	
27	90202-08171-00	WASHER, PLATE	6	

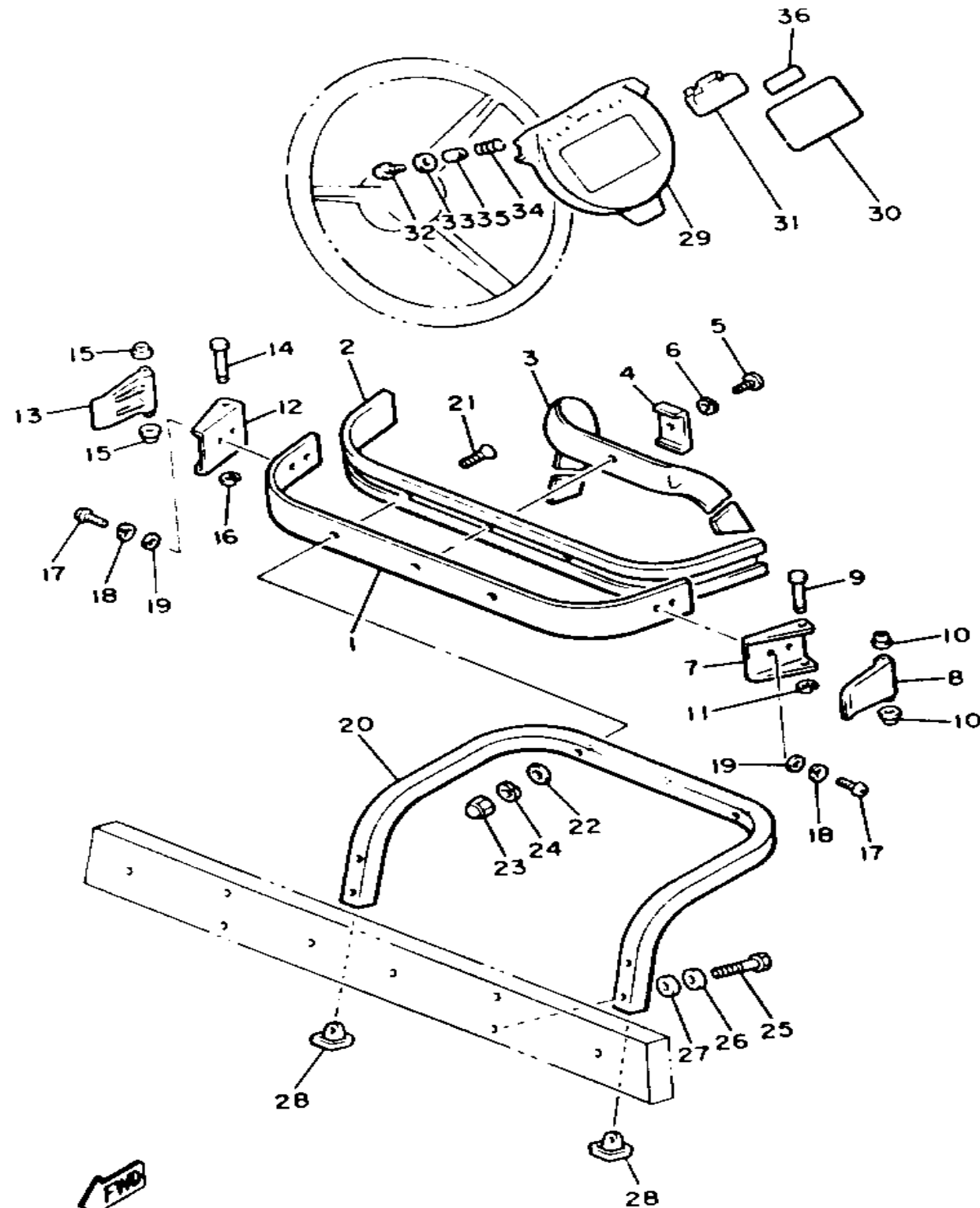
## CONTENTS

ACCELERATOR	C3
AIR FILTER	A7-8
AIR SHROUD FAN	A6
BODY 1	D1-3
BODY 2	D4-6
BODY FITTING	D7-8
BRAKE 1	B10-12
BRAKE 2	C1
BRAKE 3	C2
BUMPER	C11-12
CAMSHAFT VALVE	A5
CARBURETOR	A9
CARRIER	D9-10
CRANKCASE	A11-12
CRANKSHAFT PISTON	A3-4
CYLINDER	A2
ELECTRICAL 1	E2
ELECTRICAL 2	E3-4
ENGINE BRACKET	B1
EXHAUST	A10
FRAME	B3
FRONT SUSPENSION WHEEL	B4-6
FUEL TANK	B9
GOVERNOR	C4
PRIMARY SHEAVE	C5
REAR AXLE WHEEL	C10
REAR SHOCKS	B2
SEAT	D11
SECONDARY SHEAVE	C6
STARTING MOTOR	D12, E1
STEERING	B7-8
TRANSMISSION	C7-9
-MODELS IN THIS CATALOG	E5

CONTINUED ON NEXT FRAME >

J38100-6270

# CARRIER



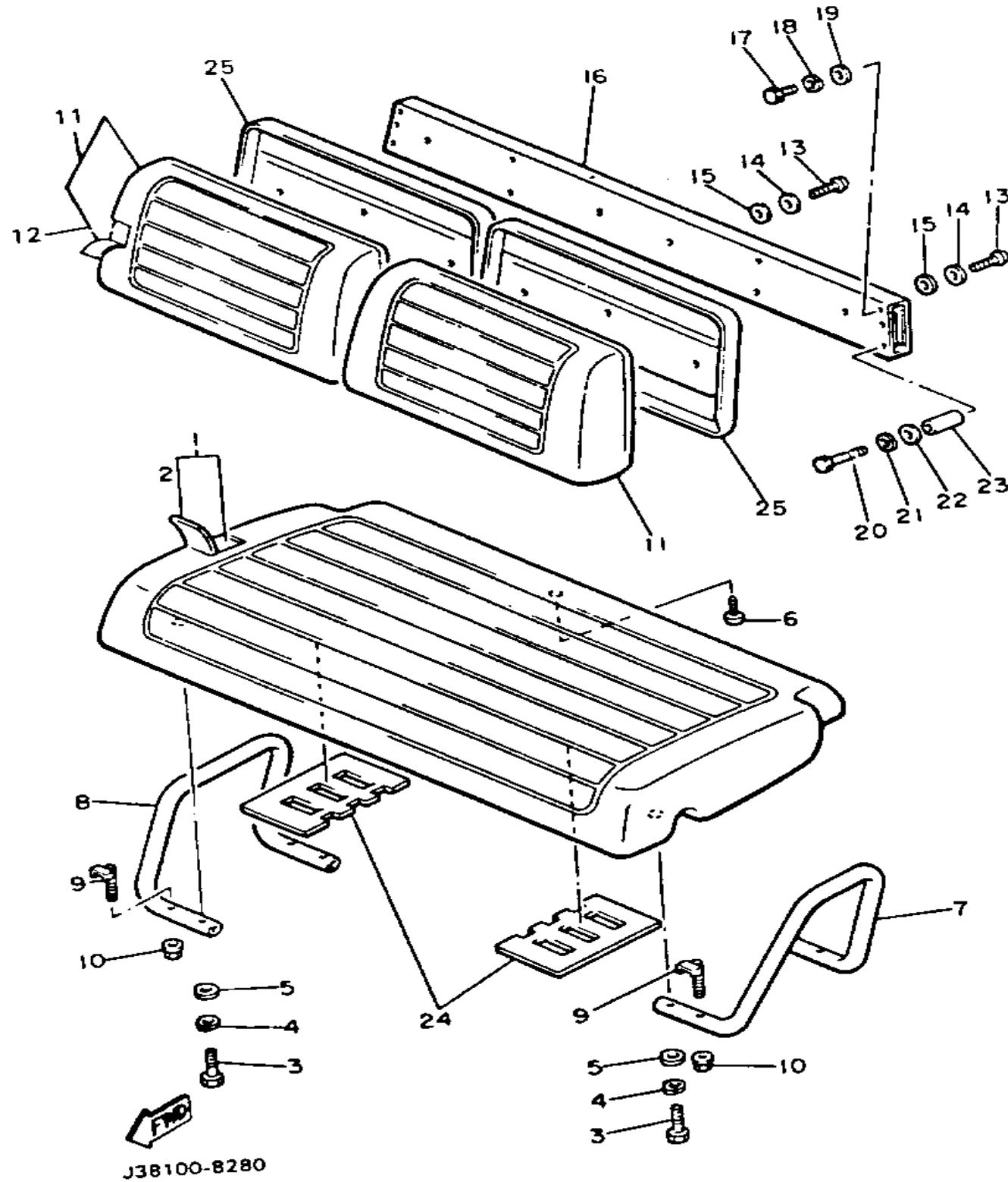
J38100-6270

Ref. No.	Part Number	Description	Qty	Remarks
28	J38-7835H-00-00	CAP, BAG SUPPORT LOWER . . . . .	2	
29	J55-K8357-00-00	HOLDER 1 . . . . .	1	
30	J55-77762-10-00	LABEL, WARNING 2 (J38-77762-01-00) . . . . .	1	
31	J55-K8358-00-00	HOLDER 2 . . . . .	1	
32	97706-40525-00	SCREW, TAPPING . . . . .	2	
33	90201-044H9-00	WASHER, PLAIN . . . . .	2	
34	90502-10013-00	SPRING, CONICAL . . . . .	2	
35	90387-046N7-00	COLLAR . . . . .	2	
36	J38-77763-10-00	LABEL, WARNING 3 . . . . .	1	

## CONTENTS

ACCELERATOR	C3
AIR FILTER	A7-8
AIR SHROUD FAN	A6
BODY 1	D1-3
BODY 2	D4-6
BODY FITTING	D7-8
BRAKE 1	B10-12
BRAKE 2	C1
BRAKE 3	C2
BUMPER	C11-12
CAMSHAFT VALVE	A5
CARBURETOR	A9
CARRIER	D9-10
CRANKCASE	A11-12
CRANKSHAFT PISTON	A3-4
CYLINDER	A2
ELECTRICAL 1	E2
ELECTRICAL 2	E3-4
ENGINE BRACKET	B1
EXHAUST	A10
FRAME	B3
FRONT SUSPENSION WHEEL	B4-6
FUEL TANK	B9
GOVERNOR	C4
PRIMARY SHEAVE	C5
REAR AXLE WHEEL	C10
REAR SHOCKS	B2
SEAT	D11
SECONDARY SHEAVE	C6
STARTING MOTOR	D12, E1
STEERING	B7-8
TRANSMISSION	C7-9
-MODELS IN THIS CATALOG	E5

# SEAT

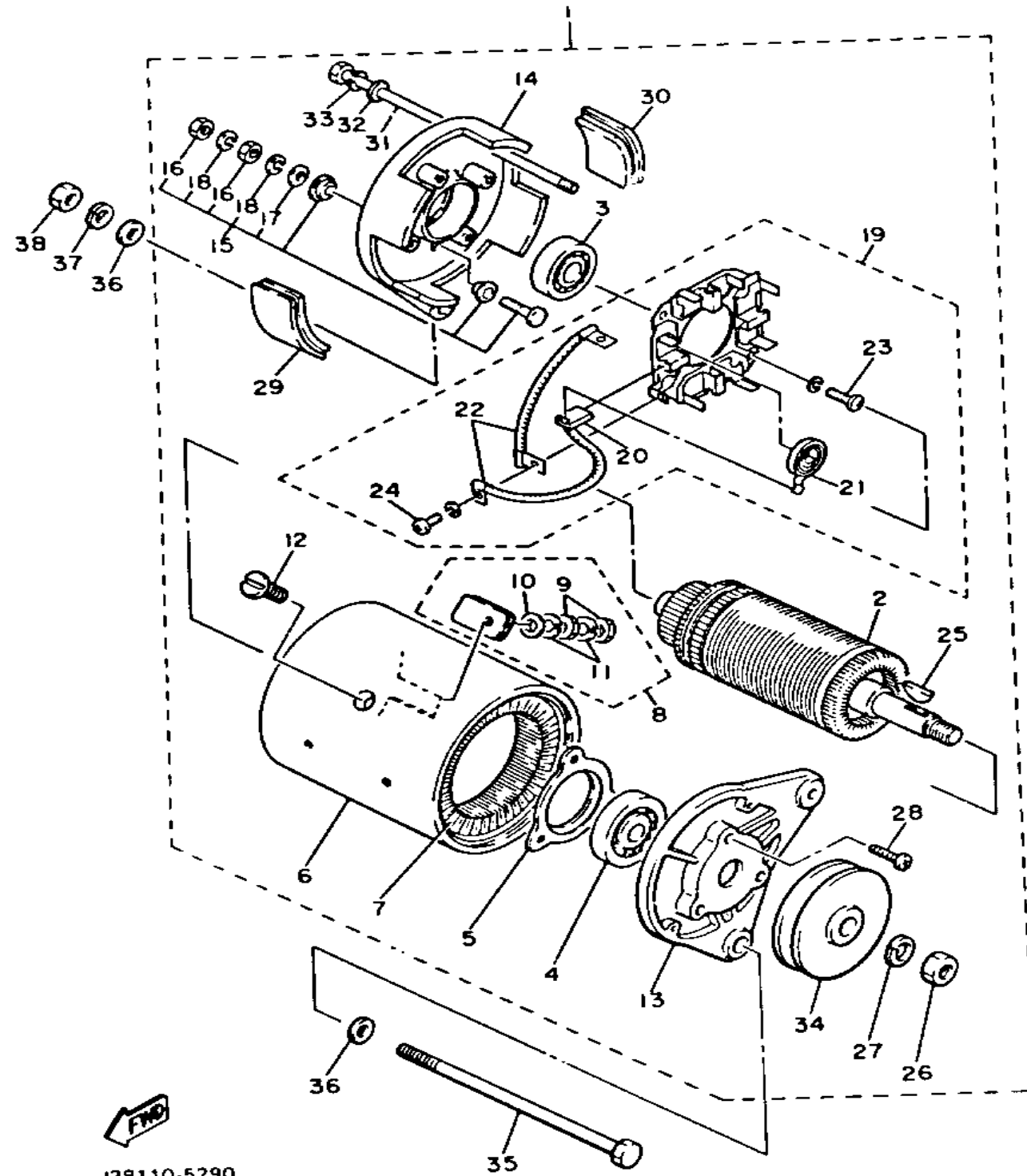


Ref. No.	Part Number	Description	Qty	Remarks
1	J55-K8401-00-00	SEAT SUB ASSY CUSHION (J38-78401-02-00)	1	
2	J55-K8404-09-00	. SEAT COVER	1	
3	97021-08065-00	BOLT	4	
4	92990-08100-00	WASHER, SPRING	4	
5	92990-08600-00	WASHER, PLATE	4	
6	97780-50116-00	SCREW, TAPPING (99780-50516-00)	1	
7	J38-78361-00-00	ARM REST 1	1	
8	J38-78362-00-00	ARM REST 2	1	
9	J38-78384-00-00	BOLT	4	
10	95601-08200-00	NUT, U	4	
11	J55-K8402-00-00	SEAT SUB ASSY, BACK (J38-78402-01-00)	2	
12	J55-K841G-09-00	. COVER, SEAT BACK 2	2	
13	98980-06045-00	SCREW, BIND	4	
14	90201-065F3-00	WASHER, PLATE	4	
15	90202-06170-00	WASHER, PLATE	4	
16	J55-K8423-09-00	SUPPORT, SEAT BACK (J55-K8423-00-00)	1	
17	97022-08016-00	BOLT	2	
18	92990-08100-00	WASHER, SPRING	2	
19	92990-08600-00	WASHER, PLATE	2	
20	97013-08075-00	BOLT	2	
21	92990-08100-00	WASHER, SPRING	2	
22	92990-08600-00	WASHER, PLATE	2	
23	90387-103G9-00	COLLAR	2	
24	J55-K8419-00-00	PAD, SEAT PROTECTOR	2	
25	J55-K8413-00-00	COVER, SEAT BACK	2	

## CONTENTS

ACCELERATOR	C3
AIR FILTER	A7-8
AIR SHROUD FAN	A6
BODY 1	D1-3
BODY 2	D4-6
BODY FITTING	D7-8
BRAKE 1	B10-12
BRAKE 2	C1
BRAKE 3	C2
BUMPER	C11-12
CAMSHAFT VALVE	A5
CARBURETOR	A9
CARRIER	D9-10
CRANKCASE	A11-12
CRANKSHAFT PISTON	A3-4
CYLINDER	A2
ELECTRICAL 1	E2
ELECTRICAL 2	E3-4
ENGINE BRACKET	B1
EXHAUST	A10
FRAME	B3
FRONT SUSPENSION WHEEL	B4-6
FUEL TANK	B9
GOVERNOR	C4
PRIMARY SHEAVE	C5
REAR AXLE WHEEL	C10
REAR SHOCKS	B2
SEAT	D11
SECONDARY SHEAVE	C6
STARTING MOTOR	D12, E1
STEERING	B7-8
TRANSMISSION	C7-9
-MODELS IN THIS CATALOG	E5

# STARTING MOTOR



J38110-5290

Ref. No.	Part Number	Description	Qty	Remarks
1	J38-81100-11-00	STARTER GENERATOR ASSEMBLY (JF2-H1100-00-00)	1	
2	J10-81150-10-00	. ARMATURE ASSEMBLY	1	
3	J10-81157-10-00	. BEARING 1 (6202 SD)	1	
4	J10-81158-10-00	. BEARING 2 (6203 SD)	1	
5	J10-81159-10-00	. HOLDER, BEARING	1	
6	J38-81110-10-00	. STATOR ASSEMBLY	1	
7	J38-81160-10-00	. FIELD COIL ASSEMBLY	1	
8	J10-81148-10-00	. SCREW SET 4	2	
9	95380-06600-00	.. NUT, HEXAGON	4	
10	92990-06600-00	.. WASHER, PLATE	2	
11	92995-06100-00	.. WASHER, SPRING	4	
12	J10-81146-10-00	. SCREW	4	
13	J38-81165-10-00	. BRACKET, STARTER GENERATOR 1	1	
14	J10-81166-10-00	. BRACKET, STARTER GENERATOR 2	1	
15	J10-81147-10-00	. SCREW	2	
16	95380-06600-00	.. NUT, HEXAGON	4	
17	92990-06600-00	.. WASHER, PLATE	2	
18	92995-06100-00	.. WASHER, SPRING	4	
19	JF2-81119-00-00	. BRUSH HOLDER ASSY	1	
20	JF2-81111-00-00	.. BRUSH	4	
21	J38-81113-10-00	.. SPRING, BRUSH	4	
22	J10-81115-10-00	.. WIRE, LEAD	2	
23	98580-05016-00	.. SCREW, PAN HEAD	2	
24	98580-04010-00	.. SCREW, PAN HEAD	4	
25	J38-81163-10-00	. KEY	1	
26	95301-14600-00	. NUT	1	
27	92901-14100-00	. WASHER, SPRING	1	
28	98501-05018-00	. SCREW, PAN HEAD	3	

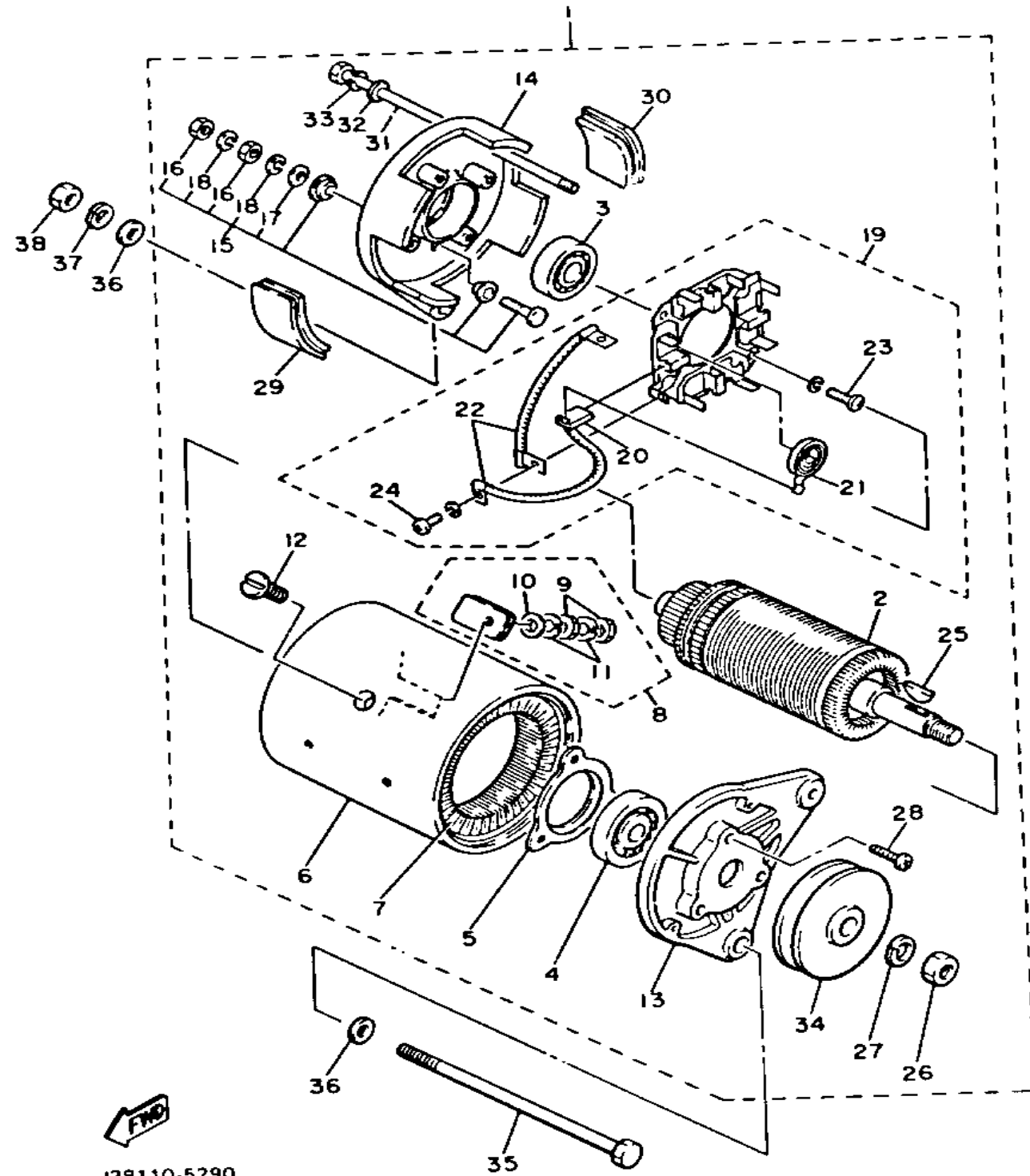
## CONTENTS

ACCELERATOR	C3
AIR FILTER	A7-8
AIR SHROUD FAN	A6
BODY 1	D1-3
BODY 2	D4-6
BODY FITTING	D7-8
BRAKE 1	B10-12
BRAKE 2	C1
BRAKE 3	C2
BUMPER	C11-12
CAMSHAFT VALVE	A5
CARBURETOR	A9
CARRIER	D9-10
CRANKCASE	A11-12
CRANKSHAFT PISTON	A3-4
CYLINDER	A2
ELECTRICAL 1	E2
ELECTRICAL 2	E3-4
ENGINE BRACKET	B1
EXHAUST	A10
FRAME	B3
FRONT SUSPENSION WHEEL	B4-6
FUEL TANK	B9
GOVERNOR	C4
PRIMARY SHEAVE	C5
REAR AXLE WHEEL	C10
REAR SHOCKS	B2
SEAT	D11
SECONDARY SHEAVE	C6
STARTING MOTOR	D12, E1
STEERING	B7-8
TRANSMISSION	C7-9
-MODELS IN THIS CATALOG	E5

CONTINUED ON NEXT FRAME >



# STARTING MOTOR



J38110-5290

Ref. No.	Part Number	Description	Qty	Remarks
29	J10-81129-10-00	. COVER, BRUSH	3	
30	J10-81129-10-00	. COVER, BRUSH	1	
31	J10-81145-10-00	. SCREW 1	2	
32	92990-06600-00	. WASHER, PLATE	2	
33	92995-06100-00	. WASHER, SPRING	2	
34	J38-81161-10-00	. PULLEY	1	
35	90101-12545-00	BOLT	1	
36	92990-12600-00	WASHER, PLATE	2	
37	92901-12100-00	WASHER, SPRING	1	
38	95303-12600-00	NUT	1	

## CONTENTS

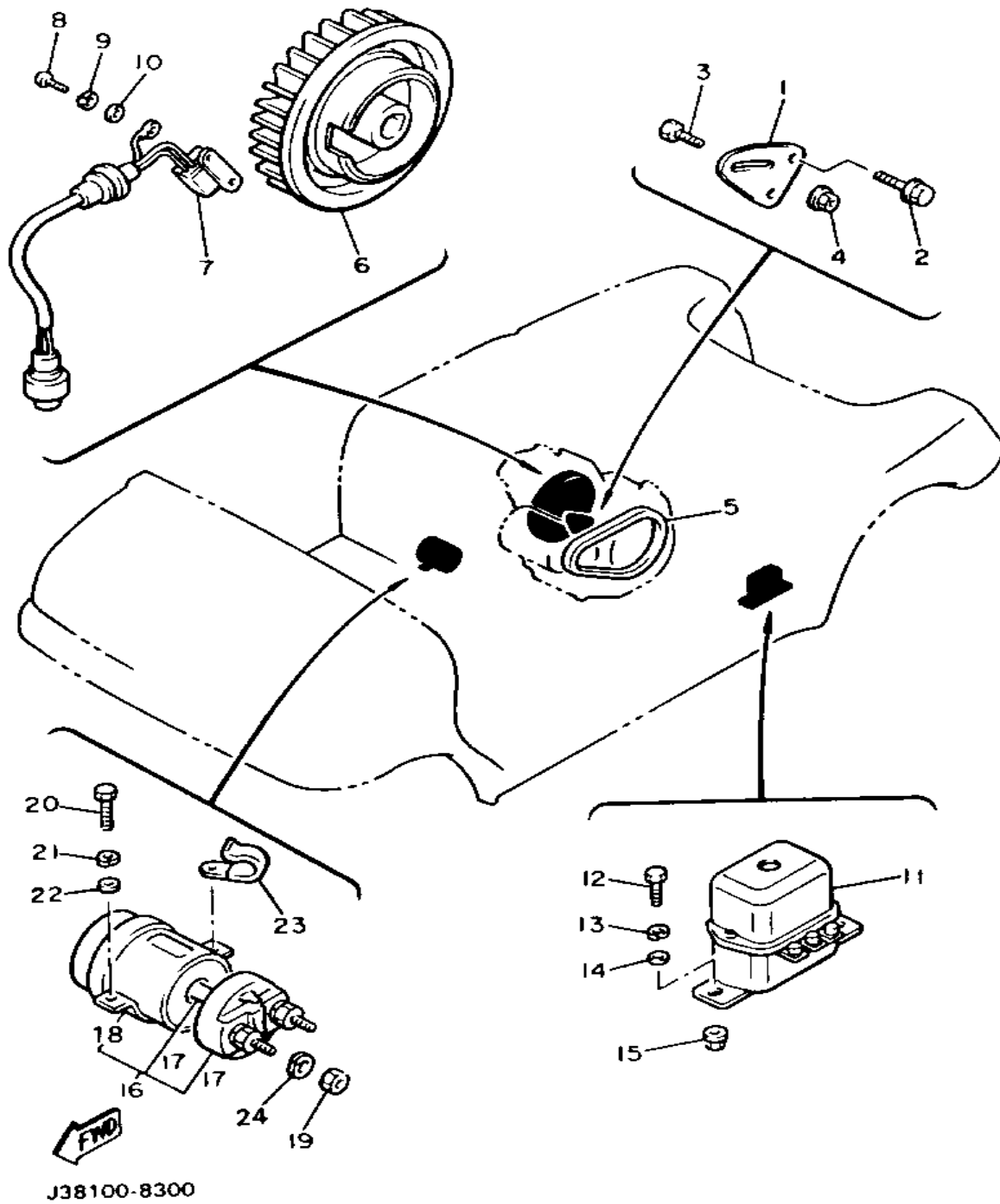
ACCELERATOR	C3
AIR FILTER	A7-8
AIR SHROUD FAN	A6
BODY 1	D1-3
BODY 2	D4-6
BODY FITTING	D7-8
BRAKE 1	B10-12
BRAKE 2	C1
BRAKE 3	C2
BUMPER	C11-12
CAMSHAFT VALVE	A5
CARBURETOR	A9
CARRIER	D9-10
CRANKCASE	A11-12
CRANKSHAFT PISTON	A3-4
CYLINDER	A2
ELECTRICAL 1	E2
ELECTRICAL 2	E3-4
ENGINE BRACKET	B1
EXHAUST	A10
FRAME	B3
FRONT SUSPENSION WHEEL	B4-6
FUEL TANK	B9
GOVERNOR	C4
PRIMARY SHEAVE	C5
REAR AXLE WHEEL	C10
REAR SHOCKS	B2
SEAT	D11
SECONDARY SHEAVE	C6
STARTING MOTOR	D12, E1
STEERING	B7-8
TRANSMISSION	C7-9
-MODELS IN THIS CATALOG	E5

# ELECTRICAL 1

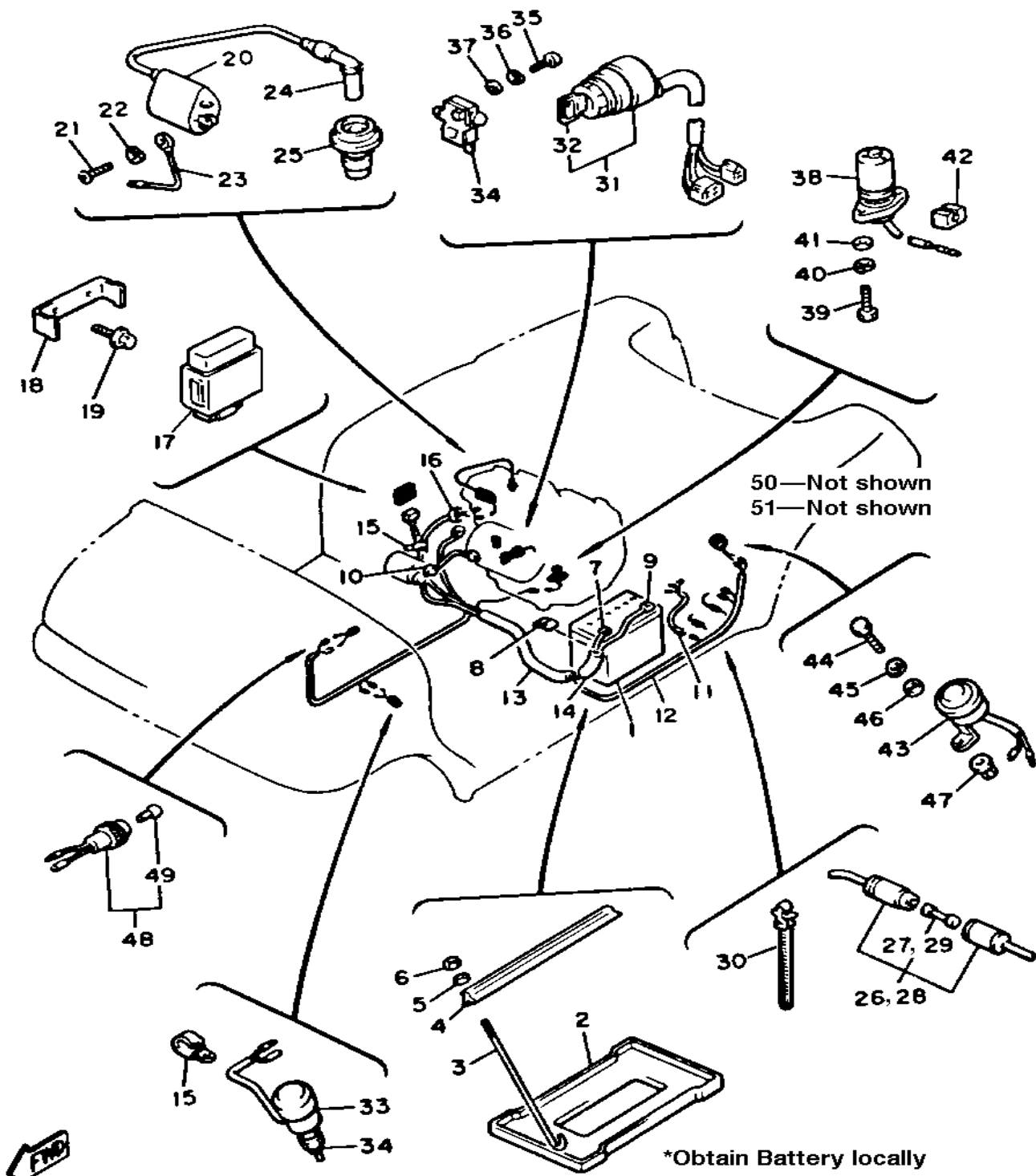
Ref. No.	Part Number	Description	Qty	Remarks
1	J38-81170-00-00	TENSIONER ASSEMBLY .....	1	
2	95821-08025-00	BOLT, FLANGE .....	2	
3	90109-087A5-00	BOLT .....	1	
4	95701-08500-00	NUT, FLANGE (95702-08500-00)	1	
5	J55-H1173-00-00	BELT .....	1	
6	J38-81350-20-00	ROTOR ASSEMBLY .....	1	
7	J38-85580-20-00	COIL, PULSER .....	1	
8	98580-05016-00	SCREW, PAN HEAD .....	2	
9	92990-05100-00	WASHER, SPRING .....	2	
10	92901-05600-00	WASHER, PLATE .....	2	
11	J10-81910-10-00	VOLTAGE REG ASSEMBLY ..	1	
12	97313-06016-00	BOLT, HEXAGON .....	2	
13	92995-06100-00	WASHER, SPRING .....	2	
14	92990-06600-00	WASHER, PLATE .....	2	
15	95702-06600-00	NUT, FLANGE .....	2	
16	J38-81950-00-00	RELAY ASSEMBLY .....	1	
17	J41-81920-09-00	. G2A/E SOLENOID REBUILD KIT .....	2	
18	J38-8195R-00-00	. RUBBER BOOT .....	1	
19	95303-08700-00	.NUT .....	2	
20	97011-06020-00	BOLT .....	2	
21	92995-06100-00	WASHER, SPRING .....	2	
22	92990-06600-00	WASHER, PLATE .....	2	
23	90465-08028-00	CLAMP .....	1	
24	92990-08100-00	WASHER, SPRING .....	2	

## CONTENTS

ACCELERATOR	C3
AIR FILTER	A7-8
AIR SHROUD FAN	A6
BODY 1	D1-3
BODY 2	D4-6
BODY FITTING	D7-8
BRAKE 1	B10-12
BRAKE 2	C1
BRAKE 3	C2
BUMPER	C11-12
CAMSHAFT VALVE	A5
CARBURETOR	A9
CARRIER	D9-10
CRANKCASE	A11-12
CRANKSHAFT PISTON	A3-4
CYLINDER	A2
ELECTRICAL 1	E2
ELECTRICAL 2	E3-4
ENGINE BRACKET	B1
EXHAUST	A10
FRAME	B3
FRONT SUSPENSION WHEEL	B4-6
FUEL TANK	B9
GOVERNOR	C4
PRIMARY SHEAVE	C5
REAR AXLE WHEEL	C10
REAR SHOCKS	B2
SEAT	D11
SECONDARY SHEAVE	C6
STARTING MOTOR	D12 ,E1
STEERING	B7-8
TRANSMISSION	C7-9
-MODELS IN THIS CATALOG	E5



# ELECTRICAL 2



Ref. No.	Part Number	Description	Qty	Remarks
1	J38-82590-21-00	WIRE HARNESS ASSEMBLY ..	1	
2	J55-H2122-00-00	SEAT, BATTERY .....	1	
3	J17-82133-00-00	SCREW, FITTING .....	2	
4	J55-H2136-00-00	PLATE, BATTERY FITTING ...	1	
5	92990-06200-00	WASHER, PLAIN .....	2	
6	95701-06300-00	NUT, NYLON .....	2	
7	J55-H2115-00-00	WIRE, PLUS LEAD (J38-82115-00-00) .....	1	
8	861-82361-00-00	CLAMP, CORD .....	1	
9	J55-H2116-00-00	WIRE, MINUS LEAD (J38-82116-00-00) .....	1	
10	J55-H2117-00-00	WIRE, LEAD .....	1	
11	J38-82105-00-00	WIRE HARNESS .....	1	
12	J38-82617-00-00	SWITCH .....	1	
13	J55-H7196-00-00	TUBE 1 (J38-87196-00-00) ....	1	
14	J55-H7197-00-00	TUBE 2 (J38-87197-00-00) ....	1	
15	90465-06038-00	CLAMP .....	2	
16	90464-23041-00	CLAMP .....	1	
17	J38-82305-20-00	IGNITOR UNIT ASSEMBLY 1 ..	1	
18	J38-8553A-00-00	STAY UNIT .....	1	
19	95801-06010-00	BOLT, FLANGE .....	2	
20	J38-82310-20-00	IGNITION COIL ASSEMBLY ...	1	
21	98501-05020-00	SCREW, PAN HEAD .....	2	
22	92990-05100-00	WASHER, SPRING .....	2	
23	J38-82318-00-00	WIRE, SUB-LEAD .....	1	
24	8K1-82370-20-00	PLUG CAP ASSEMBLY (WITH RESISTOR) .....	1	
25	J38-82372-00-00	SEAL, PLUG CAP .....	1	
26	1E6-82150-00-00	FUSE HOLDER ASSEMBLY ...	1	
27	1E6-82151-00-00	. FUSE (10A) .....	2	
28	1E6-82150-00-00	FUSE HOLDER ASSEMBLY ...	1	

## CONTENTS

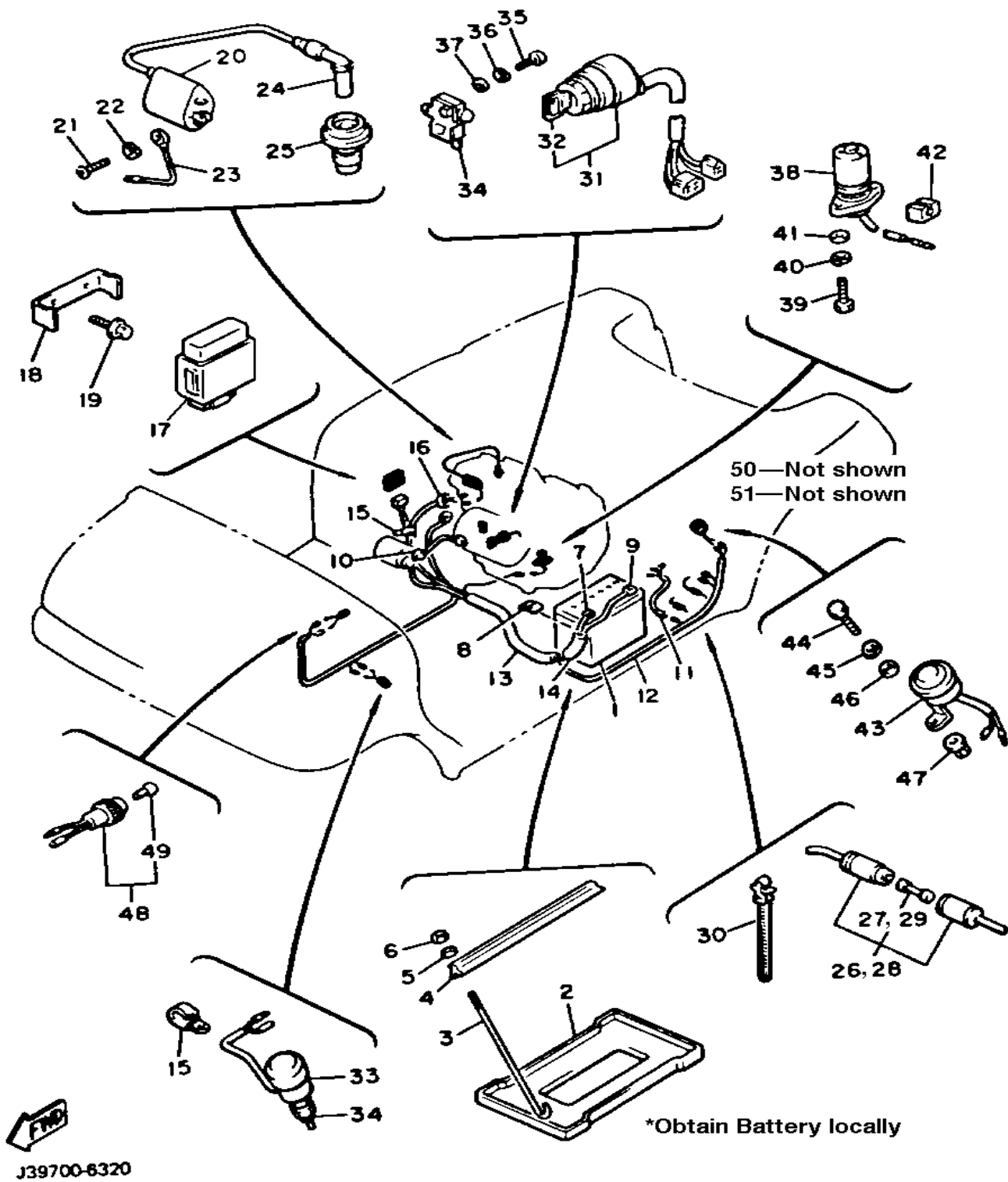
ACCELERATOR	C3
AIR FILTER	A7-8
AIR SHROUD FAN	A6
BODY 1	D1-3
BODY 2	D4-6
BODY FITTING	D7-8
BRAKE 1	B10-12
BRAKE 2	C1
BRAKE 3	C2
BUMPER	C11-12
CAMSHAFT VALVE	A5
CARBURETOR	A9
CARRIER	D9-10
CRANKCASE	A11-12
CRANKSHAFT PISTON	A3-4
CYLINDER	A2
ELECTRICAL 1	E2
ELECTRICAL 2	E3-4
ENGINE BRACKET	B1
EXHAUST	A10
FRAME	B3
FRONT SUSPENSION WHEEL	B4-6
FUEL TANK	B9
GOVERNOR	C4
PRIMARY SHEAVE	C5
REAR AXLE WHEEL	C10
REAR SHOCKS	B2
SEAT	D11
SECONDARY SHEAVE	C6
STARTING MOTOR	D12, E1
STEERING	B7-8
TRANSMISSION	C7-9
-MODELS IN THIS CATALOG	E5

CONTINUED ON NEXT FRAME ►

J39700-6320

\*Obtain Battery locally

# ELECTRICAL 2



Ref. No.	Part Number	Description	Qty	Remarks
29	1E6-82151-00-00	. FUSE (10A)	2	
30	90464-12036-00	CLAMP	2	
31	J55-82510-00-00	MAIN SWITCH ASSEMBLY	1	
32	J17-82511-20-00	. KEY, MAIN SWITCH	2	
33	J41-82550-00-00	STOP SWITCH ASSEMBLY	1	
34	JF2-82532-00-00	. CAP, RUBBER	1	
35	98511-04025-00	SCREW, PAN HEAD	1	
36	92901-04100-00	WASHER, SPRING	1	
37	92901-04600-00	WASHER, PLATE	1	
38	JH2-85720-00-00	OIL LEVEL GAUGE ASSEMBLY (JF2-85720-00-00)	1	
39	97023-06020-00	BOLT (3XF) (97302-06020-00)	2	
40	92995-06100-00	WASHER, SPRING	2	
41	92990-06600-00	WASHER, PLATE	2	
42	J38-82598-00-00	GROMMET	1	
43	J10-83383-02-00	BUZZER	1	
44	97313-06016-00	BOLT, HEXAGON	1	
45	92995-06100-00	WASHER, SPRING	1	
46	92990-06600-00	WASHER, PLATE	1	
47	95702-06600-00	NUT, FLANGE	1	
48	70R-83530-00-00	PILOT LIGHT ASSEMBLY	1	
49	123-83516-21-00	. BULB (12V-3.4W)	1	
50	90108-06420-00	. BOLT, BATTERY CABLE	2	NOT SHOWN
51	92801-06000-00	NUT, BATTERY CABLE	2	NOT SHOWN

## CONTENTS

ACCELERATOR	C3
AIR FILTER	A7-8
AIR SHROUD FAN	A6
BODY 1	D1-3
BODY 2	D4-6
BODY FITTING	D7-8
BRAKE 1	B10-12
BRAKE 2	C1
BRAKE 3	C2
BUMPER	C11-12
CAMSHAFT VALVE	A5
CARBURETOR	A9
CARRIER	D9-10
CRANKCASE	A11-12
CRANKSHAFT PISTON	A3-4
CYLINDER	A2
ELECTRICAL 1	E2
ELECTRICAL 2	E3-4
ENGINE BRACKET	B1
EXHAUST	A10
FRAME	B3
FRONT SUSPENSION WHEEL	B4-6
FUEL TANK	B9
GOVERNOR	C4
PRIMARY SHEAVE	C5
REAR AXLE WHEEL	C10
REAR SHOCKS	B2
SEAT	D11
SECONDARY SHEAVE	C6
STARTING MOTOR	D12, E1
STEERING	B7-8
TRANSMISSION	C7-9
-MODELS IN THIS CATALOG	E5

# ~MODELS IN THIS CATALOG

<b>1985</b>	<b>G2AM5 (J38)</b>	STARTING FRAME (G2A5): J38-000101
<b>1986</b>	<b>G2A (J38)</b>	STARTING FRAME (G2A): J38-007101-018590, 066101-0070910
<b>1987</b>	<b>G2AB (J38)</b>	STARTING FRAME (G2AB): J38-020101-024968
<b>1987</b>	<b>G2A (J38)</b>	STARTING FRAME (G2A): J38-039010-039489
<b>1988</b>	<b>G2A (J38)</b>	STARTING FRAME (G2A): J38-071101-072004
<b>1988</b>	<b>G2AC (JA2)</b>	STARTING FRAME (G2AC): JA2-000001 and following

**ALL THESE MODELS USE THIS SAME PARTS CATALOG.  
BE SURE TO ORDER ONLY THOSE PARTS APPLICABLE  
TO THE DESIRED MODEL.**

Ref. No.	Part Number	Description	Qty	Remarks
----------	-------------	-------------	-----	---------

<b>CONTENTS</b>	
ACCELERATOR	C3
AIR FILTER	A7-8
AIR SHROUD FAN	A6
BODY 1	D1-3
BODY 2	D4-6
BODY FITTING	D7-8
BRAKE 1	B10-12
BRAKE 2	C1
BRAKE 3	C2
BUMPER	C11-12
CAMSHAFT VALVE	A5
CARBURETOR	A9
CARRIER	D9-10
CRANKCASE	A11-12
CRANKSHAFT PISTON	A3-4
CYLINDER	A2
ELECTRICAL 1	E2
ELECTRICAL 2	E3-4
ENGINE BRACKET	B1
EXHAUST	A10
FRAME	B3
FRONT SUSPENSION WHEEL	B4-6
FUEL TANK	B9
GOVERNOR	C4
PRIMARY SHEAVE	C5
REAR AXLE WHEEL	C10
REAR SHOCKS	B2
SEAT	D11
SECONDARY SHEAVE	C6
STARTING MOTOR	D12 ,E1
STEERING	B7-8
TRANSMISSION	C7-9
~MODELS IN THIS CATALOG	E5