

PARTS CATALOGUE GOLF CAR *ELECTRIC*

- 1985 G2E5 (J41)**
- 1986 G2E (J41)**
- 1987 G2EB (J41)**
- 1988 G2EB (J41)**
- 1988 G2EC (JE2)**

STARTING FRAME (G2E5): J41-000101 and following
STARTING FRAME (G2E): J41-016101 and following
STARTING FRAME (G2EB): J41-030101 and following
STARTING FRAME (G2EB): J41-053101 and following
STARTING FRAME (G2EC): JE2-000101 and following

CONTENTS

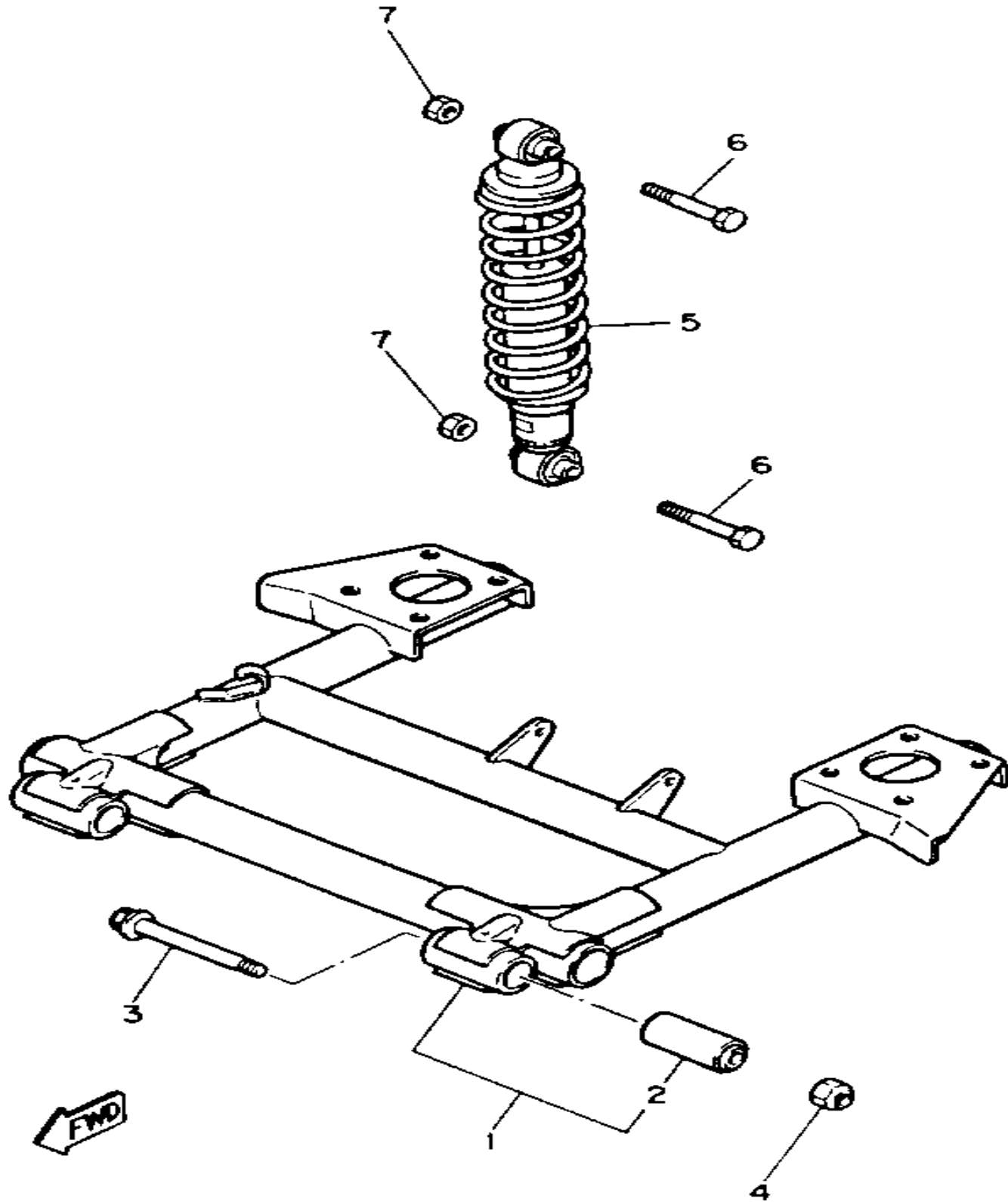
ACCELERATOR	B1
BODY JE2 & J41-016101 ~	B11-12,C1
BODY 2 JE2 & J41-016101 ~	C2-3
BODY FITTING	C4-5
BODY ~ J41-016100	B7-10
BRAKE 1	A8-10
BRAKE 2	A11
BRAKE 3	A12
BUMPER	B5-6
CARRIER	C6-7
CONTROLLER 1	C11-12
CONTROLLER 2	D1-2
ELECTRICAL 1	D3-5
FRAME	A3
FRONT SUSPENSION WHEEL	A4-5
REAR AXLE WHEEL	B4
REAR SHOCKS	A2
SEAT	C8
STARTING MOTOR	C9-10
STEERING	A6-7
TECHNICAL BULLETINS	ROW K
TRANSMISSION 1	B2-3
~MODELS IN THIS CATALOG	D6

REAR SHOCKS

Ref. No.	Part Number	Description	Qty	Remarks
1	J56-F2110-W0-00	REAR ARM COMP. (J56-F2110-00-00)	1	
2	J10-22123-00-00	. BUSH 1	2	
3	90105-10359-00	BOLT, WASHER BASED	2	
4	90185-10115-00	NUT, SELF-LOCKING	2	
5	JG6-F2210-00-00	SHOCK ABSORBER ASSEMBLY, REAR	2	
6	97012-10050-00	BOLT (97002-10050-00)	4	
7	95601-10100-00	NUT, U (95602-10100-00)	4	

CONTENTS

ACCELERATOR	B1
BODY JE2 & J41-016101 ~	B11-12,C1
BODY 2 JE2 & J41-016101 ~	C2-3
BODY FITTING	C4-5
BODY ~ J41-016100	B7-10
BRAKE 1	A8-10
BRAKE 2	A11
BRAKE 3	A12
BUMPER	B5-6
CARRIER	C6-7
CONTROLLER 1	C11-12
CONTROLLER 2	D1-2
ELECTRICAL 1	D3-5
FRAME	A3
FRONT SUSPENSION WHEEL	A4-5
REAR AXLE WHEEL	B4
REAR SHOCKS	A2
SEAT	C8
STARTING MOTOR	C9-10
STEERING	A6-7
TECHNICAL BULLETINS	ROW K
TRANSMISSION 1	B2-3
~MODELS IN THIS CATALOG	D6

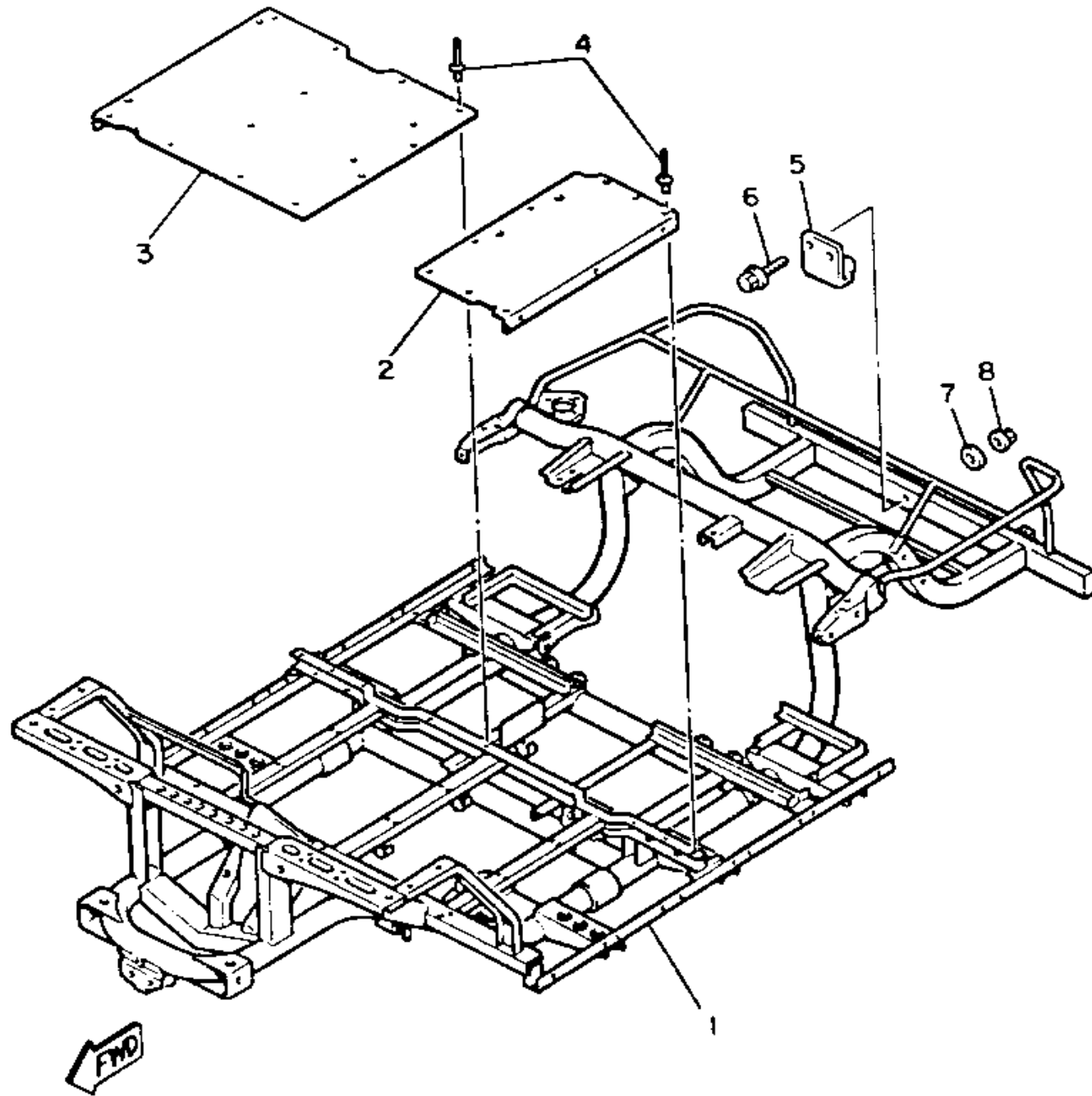


FRAME

Ref. No.	Part Number	Description	Qty	Remarks
1	J56-F2501-00-00	FRAME COMP. (J41-22501-01-00)	1	
2	J55-F2571-00-00	PANEL 1	1	
3	J55-F2572-00-00	PANEL 2	1	
4	90267-40054-00	RIVET, BLIND	20	
5	ABA-JF286-00-00	REAR HITCH	1	
6	95811-08050-00	BOLT, FLANGE (95823-08050-00)	2	
7	90201-08730-00	WASHER, PLATE	2	
8	95701-08500-00	NUT, FLANGE	2	

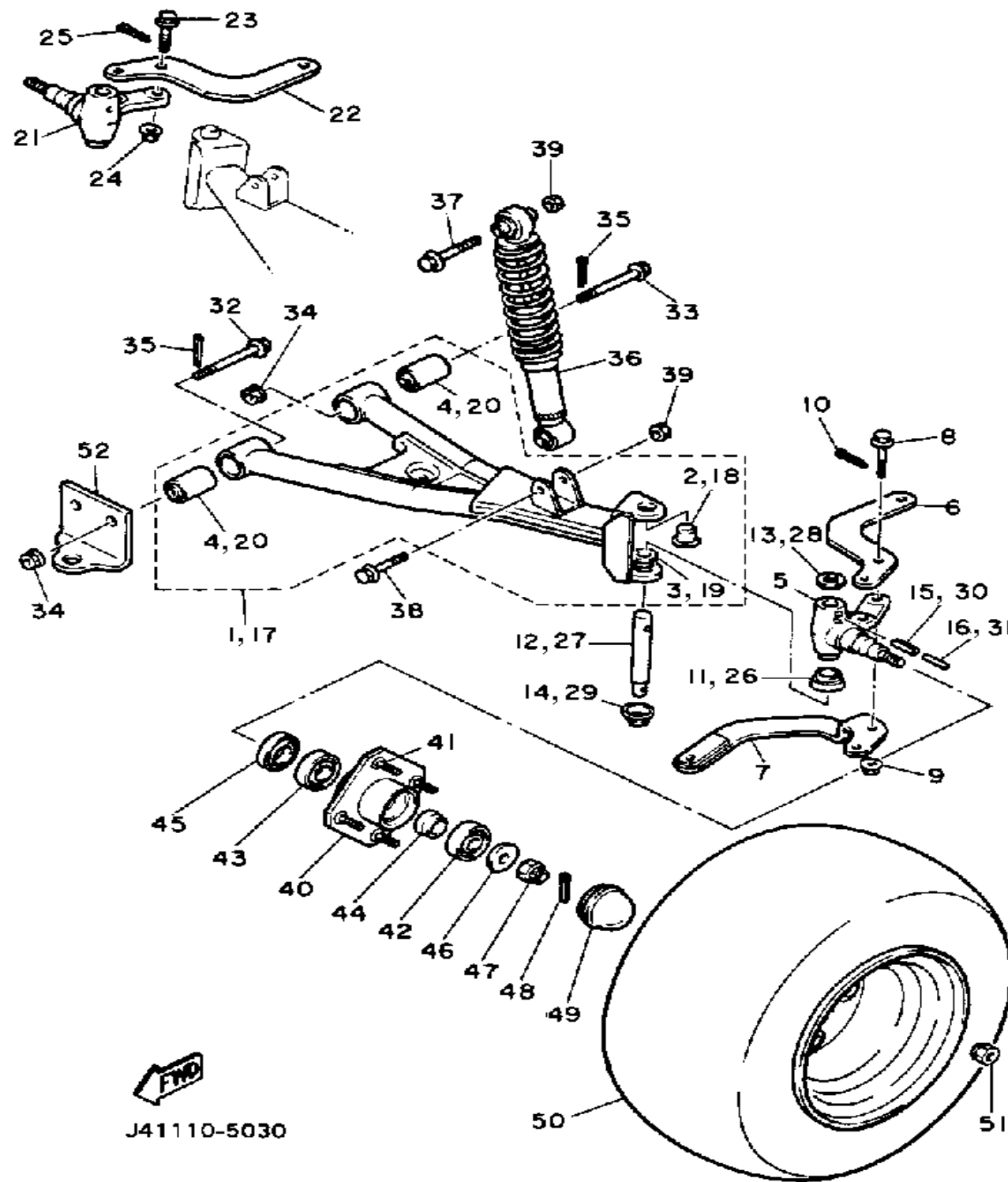
CONTENTS

ACCELERATOR	B1
BODY JE2 & J41-016101 ~	B11-12,C1
BODY 2 JE2 & J41-016101 ~	C2-3
BODY FITTING	C4-5
BODY ~ J41-016100	B7-10
BRAKE 1	A8-10
BRAKE 2	A11
BRAKE 3	A12
BUMPER	B5-6
CARRIER	C6-7
CONTROLLER 1	C11-12
CONTROLLER 2	D1-2
ELECTRICAL 1	D3-5
FRAME	A3
FRONT SUSPENSION WHEEL	A4-5
REAR AXLE WHEEL	B4
REAR SHOCKS	A2
SEAT	C8
STARTING MOTOR	C9-10
STEERING	A6-7
TECHNICAL BULLETINS	ROW K
TRANSMISSION 1	B2-3
~MODELS IN THIS CATALOG	D6



J41110-5021

FRONT SUSPENSION WHEEL



J41110-5030

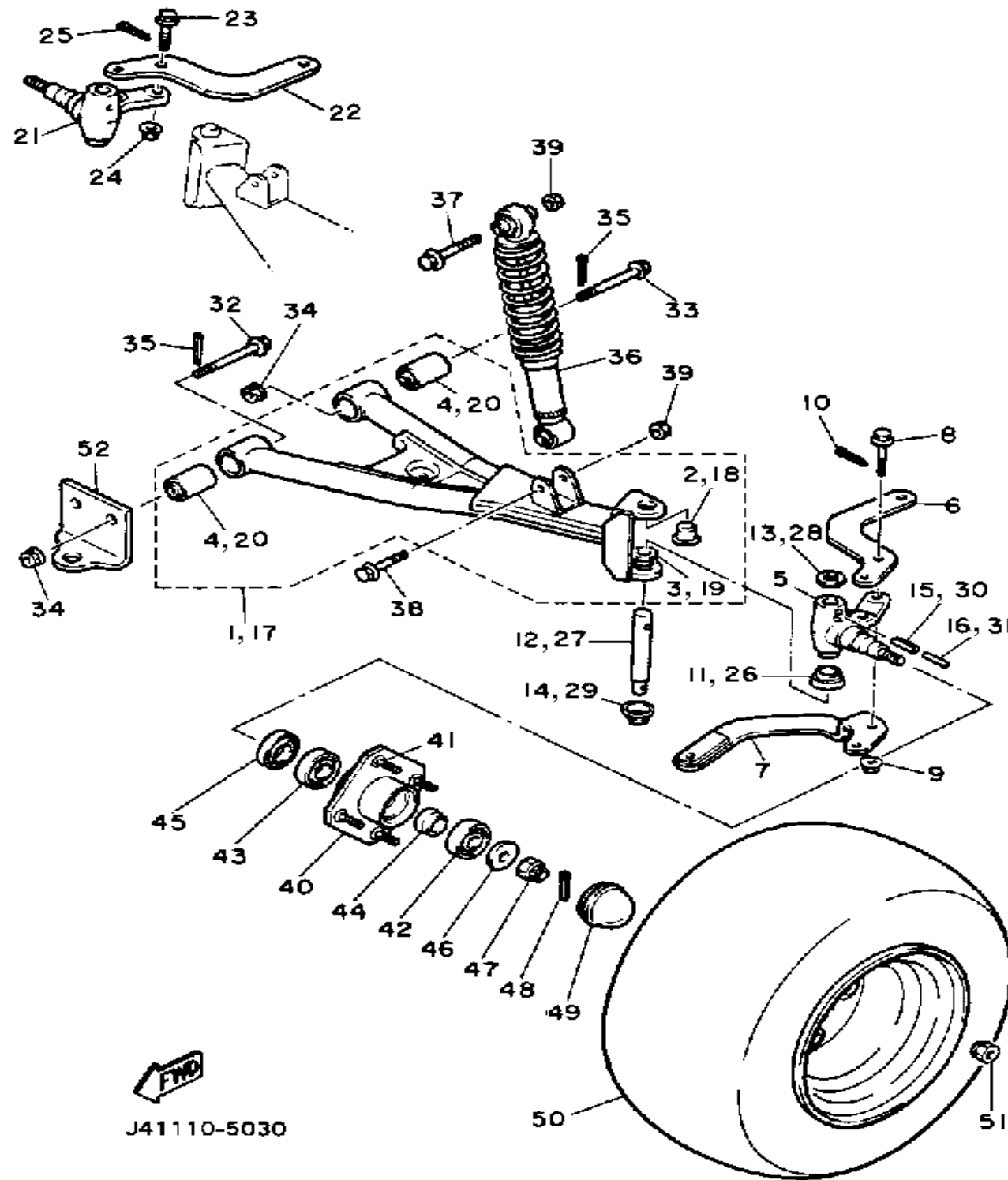
Ref. No.	Part Number	Description	Qty	Remarks
1	J38-23507-01-00	FRONT LOWER ARM SUB-ASSY (L.H) (J38-23507-00-00)	1	
2	90338-17225-00	. PLUG, STRAIGHT	1	
3	90386-15139-00	. BUSH	1	
4	J38-23526-00-00	. BUSH	2	
5	J38-23511-01-00	KNUCKLE, STEERING 1	1	
6	J38-23512-02-00	ARM, KNUCKLE 1	1	
7	ABA-JF288-00-00	ARM, STEERING (J41-23532-00-00)	1	
8	90105-10366-00	BOLT, WASHER BASED	2	
9	90185-10115-00	NUT, SELF-LOCKING	2	
10	91401-25020-00	PIN, COTTER	2	
11	J38-23527-00-00	SEAL, DUST	1	
12	J38-23516-00-00	PIN, STEERING KNUCKLE	1	
13	90201-156J2-00	WASHER, PLAIN	1	
14	J38-23528-00-00	SEAL, DUST	1	
15	91609-60028-00	PIN, SPRING	1	
16	91609-35028-00	PIN, SPRING	1	
17	J38-23508-01-00	FRONT LOWER ARM SUB-ASSY (R.H) (J38-23508-00-00)	1	
18	90338-17225-00	. PLUG, STRAIGHT	1	
19	90386-15139-00	. BUSH	1	
20	J38-23526-00-00	. BUSH	2	
21	J38-23521-01-00	KNUCKLE, STEERING 2	1	
22	J38-23512-02-00	ARM, KNUCKLE 1	1	
23	90105-10360-00	BOLT, FLANGE	2	
24	90185-10115-00	NUT, SELF-LOCKING	2	
25	91401-25020-00	PIN, COTTER	2	
26	J38-23527-00-00	SEAL, DUST	1	
27	J55-F3516-00-00	KING PIN, STEERING KNUCKLE	1	

CONTENTS

ACCELERATOR	B1
BODY JE2 & J41-016101 ~	B11-12,C1
BODY 2 JE2 & J41-016101 ~	C2-3
BODY FITTING	C4-5
BODY ~ J41-016100	B7-10
BRAKE 1	A8-10
BRAKE 2	A11
BRAKE 3	A12
BUMPER	B5-6
CARRIER	C6-7
CONTROLLER 1	C11-12
CONTROLLER 2	D1-2
ELECTRICAL 1	D3-5
FRAME	A3
FRONT SUSPENSION WHEEL	A4-5
REAR AXLE WHEEL	B4
REAR SHOCKS	A2
SEAT	C8
STARTING MOTOR	C9-10
STEERING	A6-7
TECHNICAL BULLETINS	ROW K
TRANSMISSION 1	B2-3
~MODELS IN THIS CATALOG	D6

CONTINUED ON NEXT FRAME >

FRONT SUSPENSION WHEEL

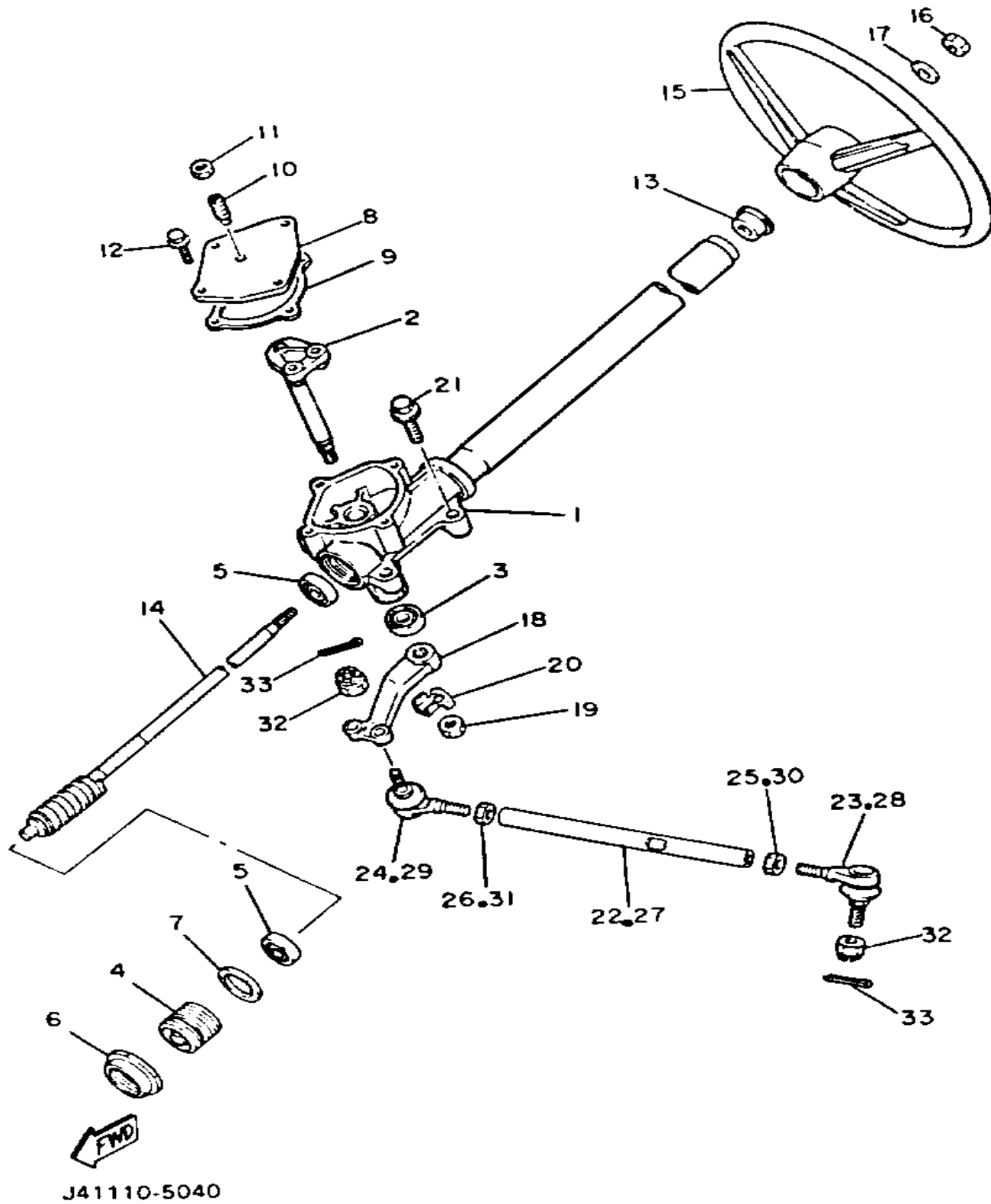


Ref. No.	Part Number	Description	Qty	Remarks
28	90201-156J2-00	WASHER, PLAIN	2	
29	J38-23528-00-00	SEAL, DUST	1	
30	91609-60028-00	PIN, SPRING	1	
31	91609-35028-00	PIN, SPRING	1	
32	90105-10358-00	BOLT, WASHER BASED	2	
33	90105-10357-00	BOLT, FLANGE	2	
34	90185-10115-00	NUT, SELF-LOCKING	4	
35	91401-25020-00	PIN, COTTER	4	
36	J41-23350-00-00	SHOCK ABSORBER	2	J41-000101 ~
	JG6-F3350-00-00	SHOCK ABSORBER	2	JE2-000101 ~
37	97002-10065-00	BOLT	2	
38	97012-10050-00	BOLT (97002-10050-00)	2	
39	95601-10100-00	NUT, U (95602-10100-00)	4	
40	J38-W2511-00-00	HUB, FRONT	2	
41	90114-12003-00	BOLT, RIBBED NECK	8	
42	93306-20437-00	BEARING	2	
43	93306-00511-00	BEARING	2	
44	90387-241M7-00	COLLAR	2	
45	93102-30083-00	OIL SEAL	2	
46	90209-32271-00	WASHER	2	
47	95601-14100-00	NUT, U (95602-14100-00)	2	
48	91401-25020-00	PIN, COTTER	2	
49	J17-25118-00-00	COVER, HUB DUST	2	
50	J55-F5100-00-00	FRONT WHEEL ASSEMBLY	2	
51	90179-12262-00	NUT	8	
52	J41-23881-02-00	BRACKET 1 (J41-23881-01)	1	

CONTENTS

ACCELERATOR	B1
BODY JE2 & J41-016101 ~	B11-12,C1
BODY 2 JE2 & J41-016101 ~	C2-3
BODY FITTING	C4-5
BODY ~ J41-016100	B7-10
BRAKE 1	A8-10
BRAKE 2	A11
BRAKE 3	A12
BUMPER	B5-6
CARRIER	C6-7
CONTROLLER 1	C11-12
CONTROLLER 2	D1-2
ELECTRICAL 1	D3-5
FRAME	A3
FRONT SUSPENSION WHEEL	A4-5
REAR AXLE WHEEL	B4
REAR SHOCKS	A2
SEAT	C8
STARTING MOTOR	C9-10
STEERING	A6-7
TECHNICAL BULLETINS	ROW K
TRANSMISSION 1	B2-3
~MODELS IN THIS CATALOG	D6

STEERING



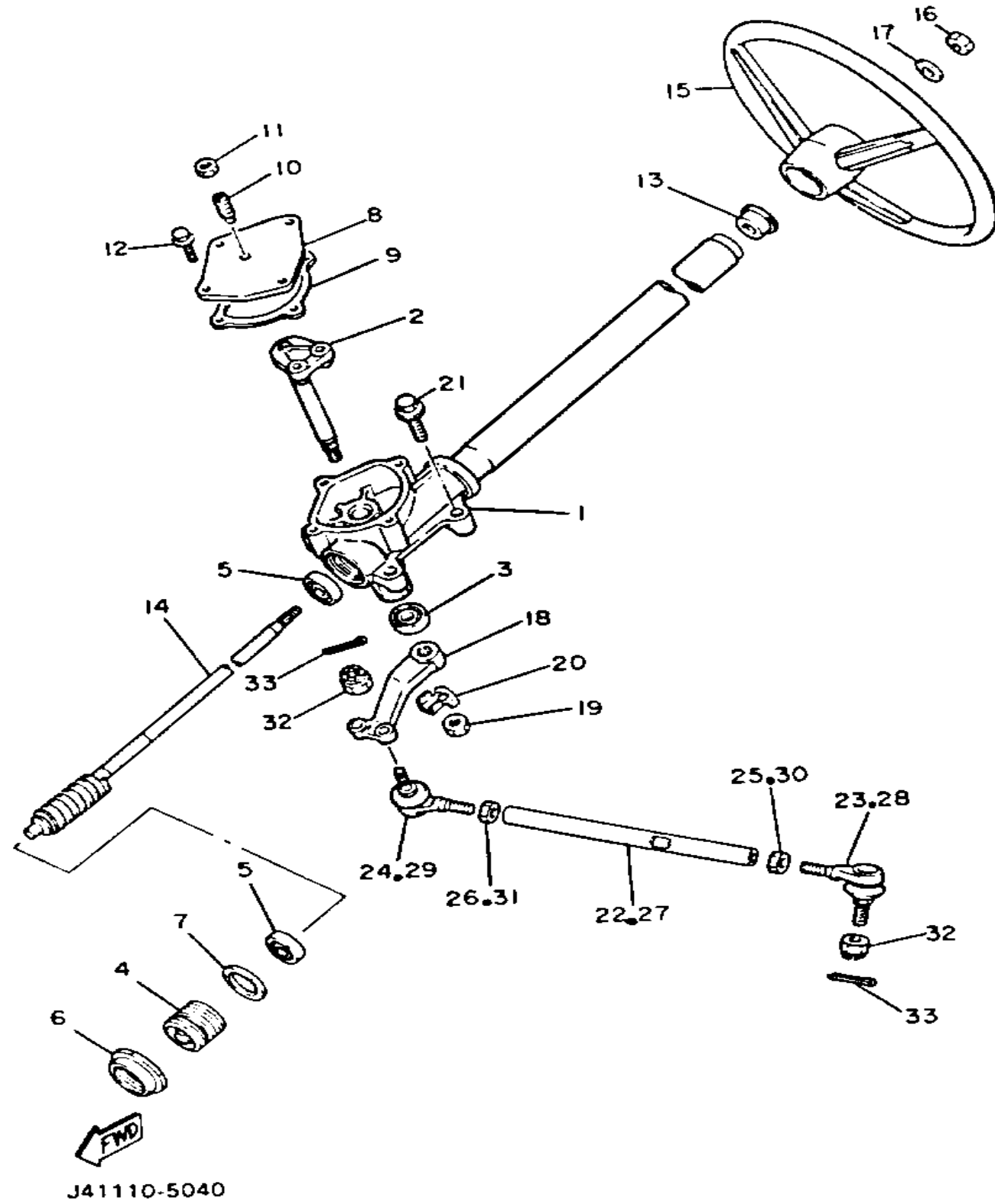
Ref. No.	Part Number	Description	Qty	Remarks
1	J55-F3811-00-00	COLUMN, STEERING (J38-23811-00-00)	1	
2	J38-23816-00-00	ARM, PITMAN	1	
3	93102-22087-00	OIL SEAL	1	
4	J55-F3876-00-00	BOLT	1	
5	93332-00010-00	BEARING	2	
6	J10-23877-00-00	NUT	1	
7	J10-23444-00-00	WASHER	1	
8	J55-23818-00-00	COVER, STEERING	1	
9	J38-23462-00-00	SEAL, STEERING	1	
10	J10-23459-00-00	BOLT	1	
11	90170-08024-00	NUT, HEX	1	
12	95811-06020-00	BOLT, FLANGE	4	
13	J38-23814-00-00	HOLDER, HANDLE UPPER	1	
14	J10-23840-00-00	STEERING SHAFT ASSEMBLY	1	
15	J55-F3838-00-00	WHEEL, STEERING (J10-23838-00-00)	1	
16	90185-12119-00	NUT, SELF-LOCKING	1	
17	92990-12200-00	WASHER, PLAIN	1	
18	J38-23826-01-00	ARM, IDLER	1	
19	95701-16300-00	NUT, FLANGE	1	
20	90215-16252-00	WASHER, TONGUE	1	
21	95811-10050-00	BOLT, FLANGE	4	
22	J38-23831-02-00	ROD, TIE	1	018621 ~ AND JE2
	J38-23831-00-00	ROD, ITE	1	~ 018620
23	J38-23841-01-00	JOINT, UNIVERSAL 1	1	018621 - AND JE2
	J38-23841-00-00	JOINT, UNIVERSAL 1	1	~ 018620
24	J38-23845-01-00	JOINT, UNIVERSAL 2	1	018621 - AND JE2
	J38-23845-00-00	JOINT, UNIVERSAL 2	1	~ 018620
25	95303-10700-00	NUT	1	~ 018620
	90170-12055-00	NUT	1	018621 - AND JE2

CONTENTS

ACCELERATOR	B1
BODY JE2 & J41-016101 ~	B11-12,C1
BODY 2 JE2 & J41-016101 ~	C2-3
BODY FITTING	C4-5
BODY ~ J41-016100	B7-10
BRAKE 1	A8-10
BRAKE 2	A11
BRAKE 3	A12
BUMPER	B5-6
CARRIER	C6-7
CONTROLLER 1	C11-12
CONTROLLER 2	D1-2
ELECTRICAL 1	D3-5
FRAME	A3
FRONT SUSPENSION WHEEL	A4-5
REAR AXLE WHEEL	B4
REAR SHOCKS	A2
SEAT	C8
STARTING MOTOR	C9-10
STEERING	A6-7
TECHNICAL BULLETINS	ROW K
TRANSMISSION 1	B2-3
~MODELS IN THIS CATALOG	D6

CONTINUED ON NEXT FRAME >

STEERING

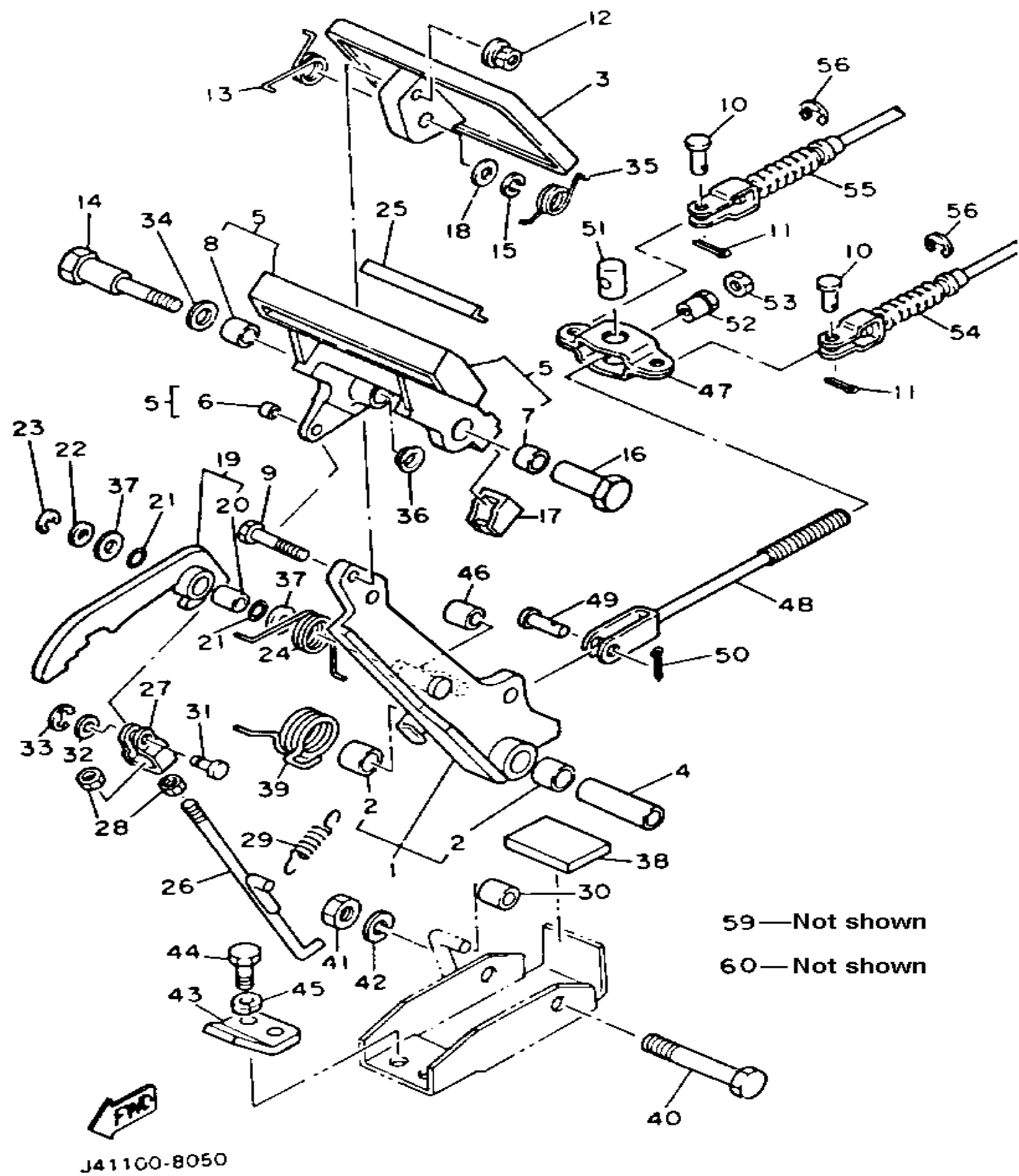


Ref. No.	Part Number	Description	Qty	Remarks
26	90170-10186-00	NUT	1	~ 018620
	90170-12054-00	NUT	1	018621 - AND JE2
27	J38-23837-02-00	ROD, TIE 2	1	018621 - AND JE2
	J38-23837-00-00	ROD, TIE 2	1	~ 018620
28	J38-23841-01-00	JOINT, UNIVERSAL 1	1	018621 - AND JE2
	J38-23841-00-00	JOINT, UNIVERSAL 1	1	~ 018620
29	J38-23845-01-00	JOINT, UNIVERSAL 2	1	018621 - AND JE2
	J38-23845-00-00	JOINT, UNIVERSAL 2	1	~ 018620
30	95303-10700-00	NUT	1	~ 018620
	90170-12055-00	NUT	1	018621 - AND JE2
31	90170-10186-00	NUT	1	~ 018620
	90170-12054-00	NUT	1	018621 - AND JE2
32	95601-10100-00	NUT, U (95602-10100-00)	4	
33	91401-25020-00	PIN, COTTER	4	

CONTENTS

ACCELERATOR	B1
BODY JE2 & J41-016101 ~	B11-12,C1
BODY 2 JE2 & J41-016101 ~	C2-3
BODY FITTING	C4-5
BODY ~ J41-016100	B7-10
BRAKE 1	A8-10
BRAKE 2	A11
BRAKE 3	A12
BUMPER	B5-6
CARRIER	C6-7
CONTROLLER 1	C11-12
CONTROLLER 2	D1-2
ELECTRICAL 1	D3-5
FRAME	A3
FRONT SUSPENSION WHEEL	A4-5
REAR AXLE WHEEL	B4
REAR SHOCKS	A2
SEAT	C8
STARTING MOTOR	C9-10
STEERING	A6-7
TECHNICAL BULLETINS	ROW K
TRANSMISSION 1	B2-3
~MODELS IN THIS CATALOG	D6

BRAKE 1



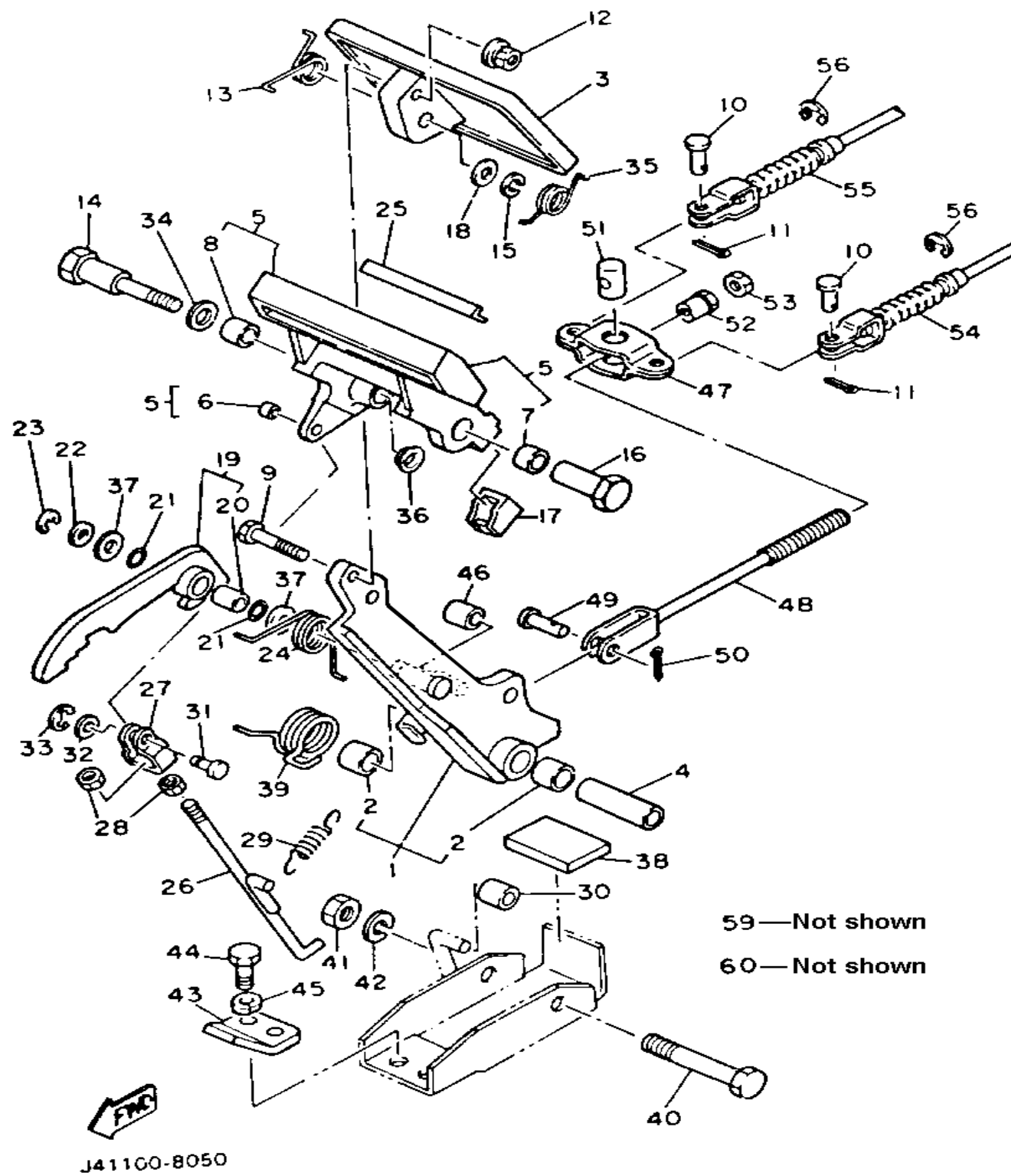
Ref. No.	Part Number	Description	Qty	Remarks
1	J17-27250-01-00	BRAKE ARM COMP	1	ORDER REF # 59 & 60 FOR KIT
2	90384-14080-00	BUSH, BIMETAL FORMED	2	
3	J10-27211-00-00	PEDAL, BRAKE	1	
4	90387-107F8-00	COLLAR	1	
5	99999-01799-00	PARKING PEDAL COMP. (J17-25670-00-00)	1	INC J17-25679-01 DAMPER QTY 2
6	90384-05163-00	. BUSH, BIMETAL	1	
7	90384-12164-00	. BUSH, BIMETAL	1	
8	90380-12051-00	. BUSH, SOLID	1	
9	90101-06555-00	BOLT, HEX	1	
10	92990-06200-00	WASHER	1	
11	92995-06100-00	WASHER, SPRING	1	
12	95380-06600-00	NUT	1	
13	90508-23542-00	SPRING, TORSION	1	
14	90109-08669-00	BOLT	1	
15	92990-08100-00	WASHER	1	
16	90179-08378-00	NUT	1	
17	J17-25679-01-00	DAMPER	2	
18	92990-08200-00	WASHER, PLAIN	1	
19	J17-W2561-00-00	SECTOR, PARKING BRAKE ..	1	
20	90384-10162-00	. BUSH, BIMETAL FORMED ...	1	
21	J17-27221-00-00	SEAL, SHAFT	2	
22	90201-065F3-00	WASHER, PLATE	1	
23	95601-06100-00	NUT, U	1	
24	90508-14548-00	SPRING, TORSION	1	
25	J17-25672-00-00	PAD, PARKING PEDAL	1	
26	J17-27231-00-00	ROD, BRAKE	1	
27	J17-27232-00-00	END, ROD 2	2	
28	95380-06700-00	NUT	2	

CONTENTS

ACCELERATOR	B1
BODY JE2 & J41-016101 ~	B11-12,C1
BODY 2 JE2 & J41-016101 ~	C2-3
BODY FITTING	C4-5
BODY ~ J41-016100	B7-10
BRAKE 1	A8-10
BRAKE 2	A11
BRAKE 3	A12
BUMPER	B5-6
CARRIER	C6-7
CONTROLLER 1	C11-12
CONTROLLER 2	D1-2
ELECTRICAL 1	D3-5
FRAME	A3
FRONT SUSPENSION WHEEL	A4-5
REAR AXLE WHEEL	B4
REAR SHOCKS	A2
SEAT	C8
STARTING MOTOR	C9-10
STEERING	A6-7
TECHNICAL BULLETINS	ROW K
TRANSMISSION 1	B2-3
~MODELS IN THIS CATALOG	D6

CONTINUED ON NEXT FRAME ►

BRAKE 1



Ref. No.	Part Number	Description	Qty	Remarks
29	90506-12277-00	SPRING, TENSION	2	
30	J17-25673-00-00	DAMPER, BRAKE	1	
31	J17-27228-00-00	PIN, JOINT	1	
32	92901-05600-00	WASHER, PLATE	1	
33	99080-04600-00	CIRCLIP (E)	1	
34	90201-123F2-00	WASHER, PLAIN	1	
35	90508-26557-00	SPRING, TORSION	1	
36	90380-12105-00	BUSH, SOLID	1	
37	90201-104G8-00	WASHER, PLATE	2	
38	J17-27245-00-00	PAD, BRAKE PEDAL	1	
39	90508-40543-00	SPRING, TORSION	1	
40	90101-10447-00	BOLT, HEX	1	
41	95601-10100-00	NUT, U (95602-10100-00)	1	
42	92901-10100-00	WASHER, SPRING	1	
43	J17-27246-00-00	NAIL, BRAKE	1	
44	97313-08020-00	BOLT, HEXAGON	2	
45	92990-08100-00	WASHER	2	
46	J17-25673-00-00	DAMPER, BRAKE	1	
47	J10-25681-00-00	EQUALIZER, BRAKE	1	
48	J20-25685-00-00	ROD	1	
49	91701-10022-00	PIN, CLEVIS	1	
50	91490-30020-00	PIN, COTTER	1	
51	90249-14129-00	PIN	1	
52	90179-08261-00	NUT	1	
53	95303-08700-00	NUT	1	
54	J56-F6341-00-00	CABLE, BRAKE	1	
55	J56-F6351-00-00	CABLE, BRAKE	1	
56	99001-09600-00	CIRCLIP	4	
57	91701-08018-00	PIN, CLEVIS	4	
58	91490-25020-00	PIN, COTTER	4	

CONTENTS

ACCELERATOR	B1
BODY JE2 & J41-016101 ~	B11-12,C1
BODY 2 JE2 & J41-016101 ~	C2-3
BODY FITTING	C4-5
BODY ~ J41-016100	B7-10
BRAKE 1	A8-10
BRAKE 2	A11
BRAKE 3	A12
BUMPER	B5-6
CARRIER	C6-7
CONTROLLER 1	C11-12
CONTROLLER 2	D1-2
ELECTRICAL 1	D3-5
FRAME	A3
FRONT SUSPENSION WHEEL	A4-5
REAR AXLE WHEEL	B4
REAR SHOCKS	A2
SEAT	C8
STARTING MOTOR	C9-10
STEERING	A6-7
TECHNICAL BULLETINS	ROW K
TRANSMISSION 1	B2-3
~MODELS IN THIS CATALOG	D6

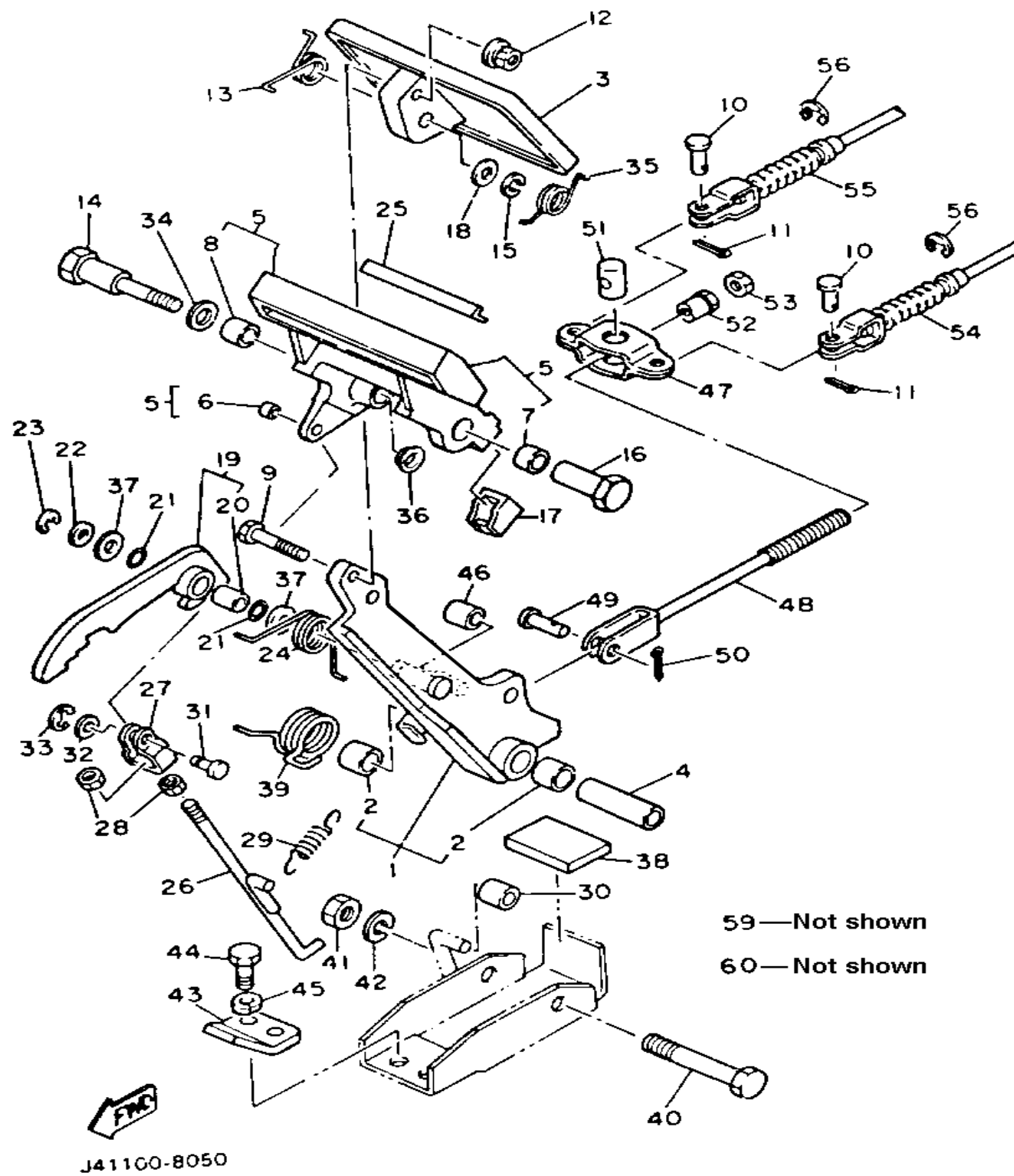
CONTINUED ON NEXT FRAME >

BRAKE 1

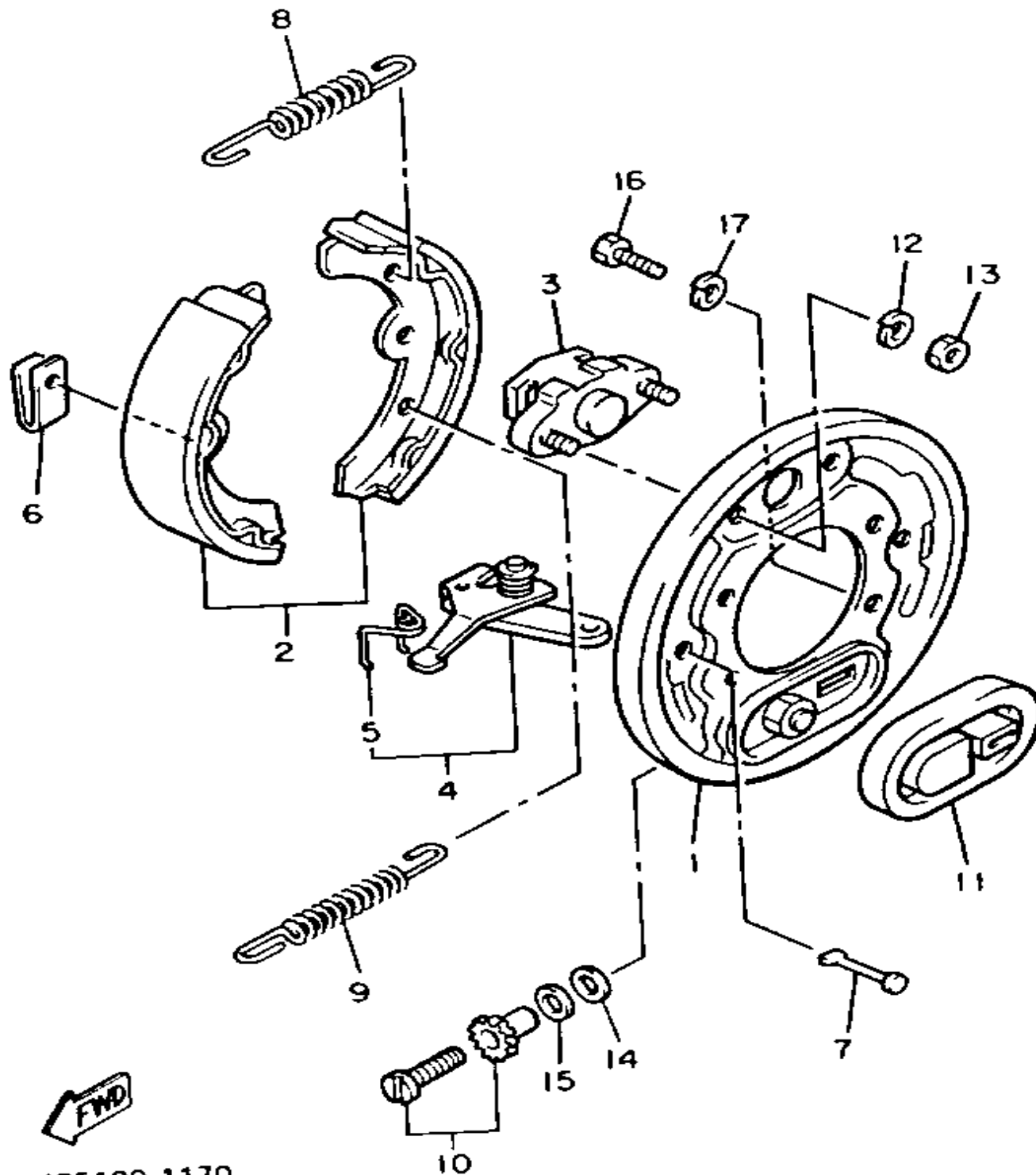
Ref. No.	Part Number	Description	Qty	Remarks
59	92990-10600-00	WASHER, PLATE	1	NOT SHOWN
60	99080-07600-00	CIRCLIP (E)	1	NOT SHOWN

CONTENTS

ACCELERATOR	B1
BODY JE2 & J41-016101 ~	B11-12,C1
BODY 2 JE2 & J41-016101 ~	C2-3
BODY FITTING	C4-5
BODY ~ J41-016100	B7-10
BRAKE 1	A8-10
BRAKE 2	A11
BRAKE 3	A12
BUMPER	B5-6
CARRIER	C6-7
CONTROLLER 1	C11-12
CONTROLLER 2	D1-2
ELECTRICAL 1	D3-5
FRAME	A3
FRONT SUSPENSION WHEEL	A4-5
REAR AXLE WHEEL	B4
REAR SHOCKS	A2
SEAT	C8
STARTING MOTOR	C9-10
STEERING	A6-7
TECHNICAL BULLETINS	ROW K
TRANSMISSION 1	B2-3
~MODELS IN THIS CATALOG	D6



BRAKE 2



Ref. No.	Part Number	Description	Qty	Remarks
1	J17-27208-00-00	BACKING PLATE R.H	1	
2	J55-W2536-00-00	BRAKE SHOE SET	1	
3	J17-27206-00-00	ANCHOR BODY COMP.	1	
4	J38-27204-00-00	LEVER ASSEMBLY 1	1	
5	J55-25358-00-00	. SPRING LEVER	1	
6	J10-27281-00-00	SPRING, SHOE CLAMP	2	
7	J10-27282-00-00	PIN, SHOE HOLD DOWN	2	
8	90506-20281-00	SPRING, TENSION	1	
9	90506-26191-00	SPRING, TENSION	1	
10	J55-27270-00-00	ADJUSTER ASSEMBLY	1	
11	J10-27286-00-00	COVER, DUST	1	
12	92995-06100-00	WASHER, SPRING	2	
13	95380-06600-00	NUT	2	
14	90201-121H8-00	WASHER, PLATE	1	
15	90201-121H9-00	WASHER, PLATE	1	
16	97011-08016-00	BOLT	4	
17	92990-08100-00	WASHER	4	

CONTENTS

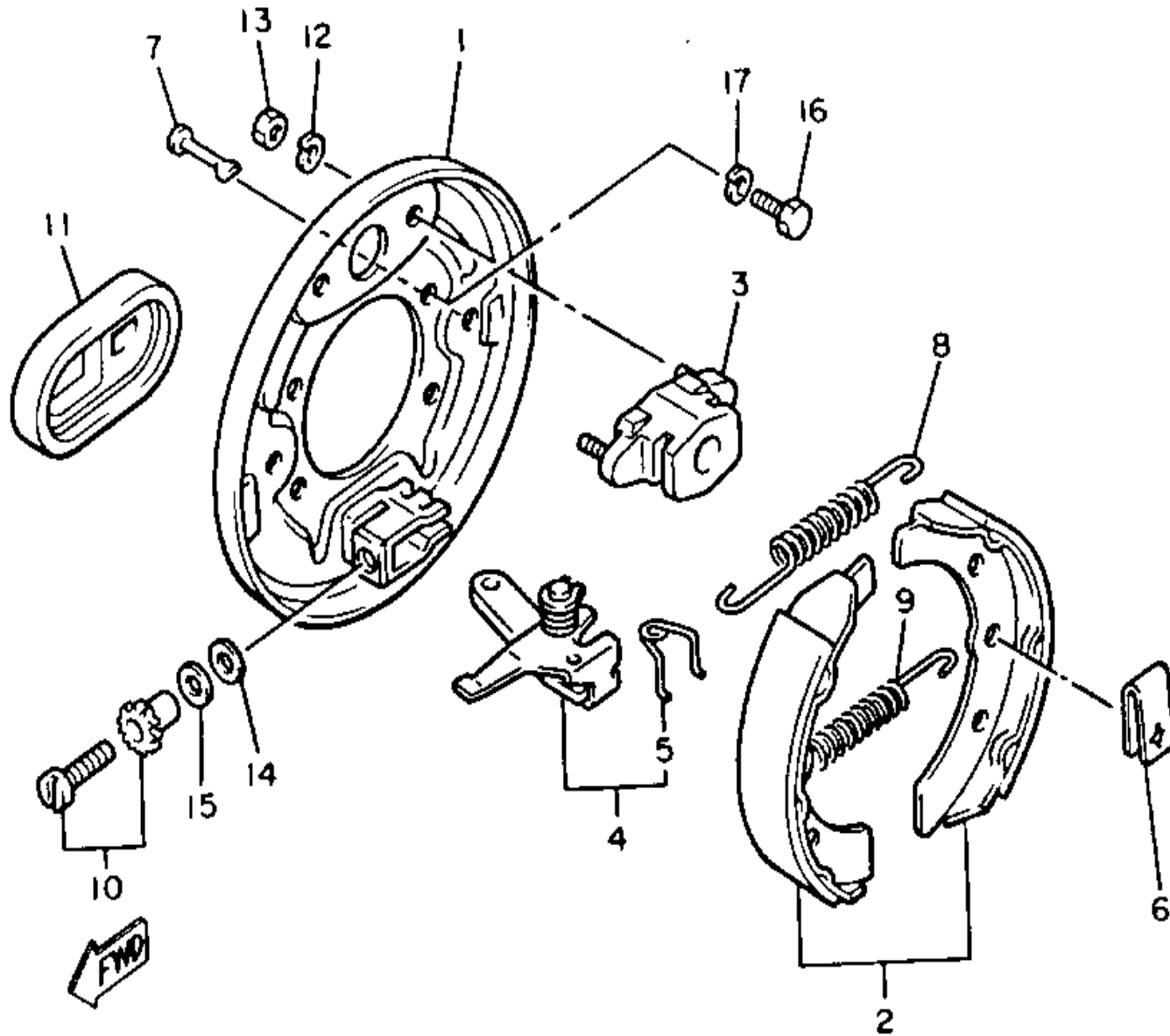
ACCELERATOR	B1
BODY JE2 & J41-016101 ~	B11-12,C1
BODY 2 JE2 & J41-016101 ~	C2-3
BODY FITTING	C4-5
BODY ~ J41-016100	B7-10
BRAKE 1	A8-10
BRAKE 2	A11
BRAKE 3	A12
BUMPER	B5-6
CARRIER	C6-7
CONTROLLER 1	C11-12
CONTROLLER 2	D1-2
ELECTRICAL 1	D3-5
FRAME	A3
FRONT SUSPENSION WHEEL	A4-5
REAR AXLE WHEEL	B4
REAR SHOCKS	A2
SEAT	C8
STARTING MOTOR	C9-10
STEERING	A6-7
TECHNICAL BULLETINS	ROW K
TRANSMISSION 1	B2-3
~MODELS IN THIS CATALOG	D6

BRAKE 3

Ref. No.	Part Number	Description	Qty	Remarks
1	J17-27209-00-00	BACKING PLATE SUB ASSEMBLY 2 (L.H)	1	
2	J55-W2536-00-00	BRAKE SHOE SET	1	
3	J17-27206-00-00	ANCHOR BODY COMP.	1	
4	J38-27205-00-00	LEVER ASSEMBLY 2	1	
5	J55-25357-00-00	. SPRING, LEVER	1	
6	J10-27281-00-00	SPRING, SHOE CLAMP	2	
7	J10-27282-00-00	PIN, SHOE HOLD DOWN	2	
8	90506-20281-00	SPRING, TENSION	1	
9	90506-26191-00	SPRING, TENSION	1	
10	J55-27260-00-00	ADJUSTER ASSEMBLY	1	
11	J10-27286-00-00	COVER, DUST	1	
12	92995-06100-00	WASHER, SPRING	2	
13	95380-06600-00	NUT	2	
14	90201-121H8-00	WASHER, PLATE	1	
15	90201-121H9-00	WASHER, PLATE	1	
16	97011-08016-00	BOLT	4	
17	92990-08100-00	WASHER	4	

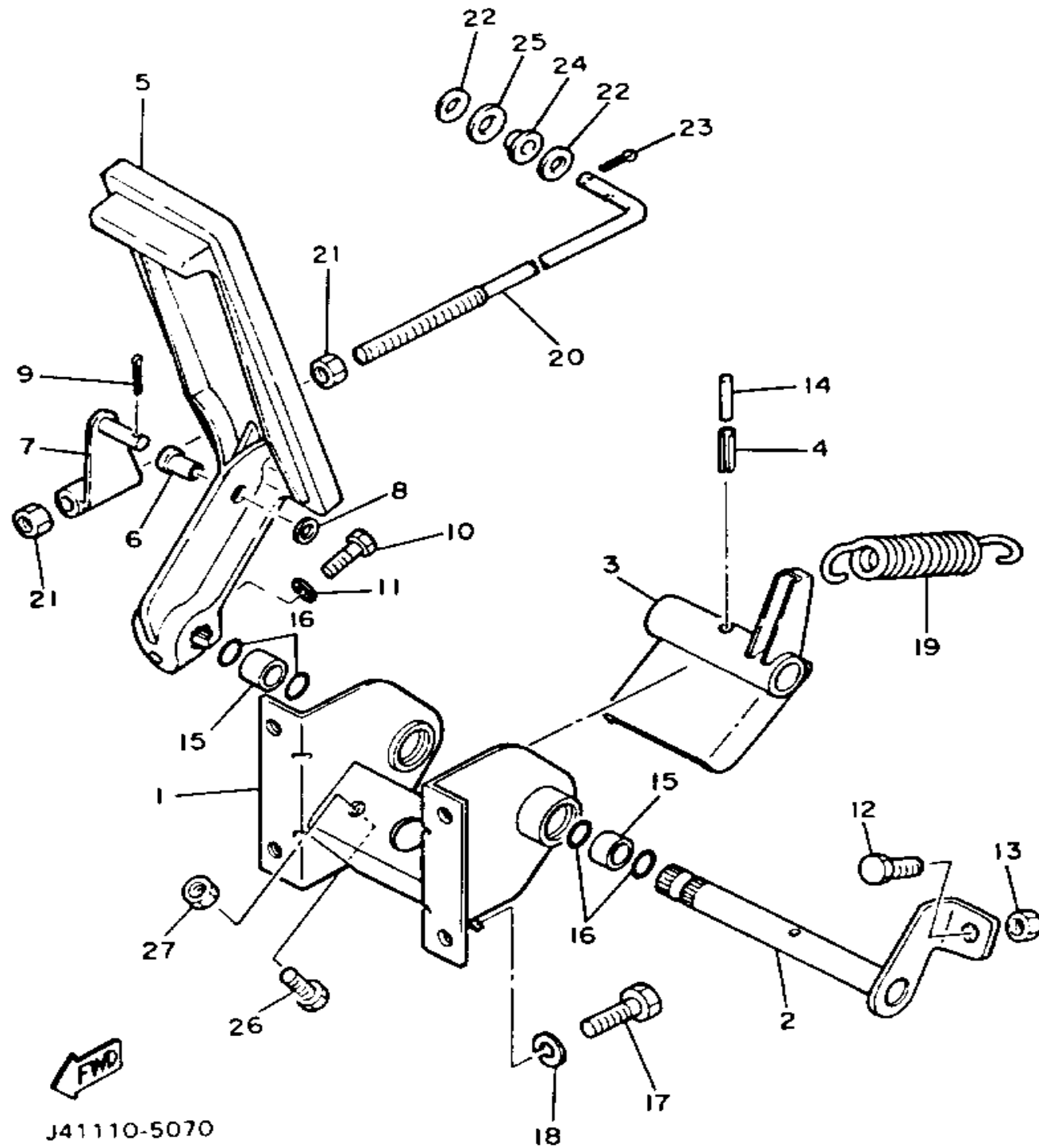
CONTENTS

ACCELERATOR	B1
BODY JE2 & J41-016101 ~	B11-12,C1
BODY 2 JE2 & J41-016101 ~	C2-3
BODY FITTING	C4-5
BODY ~ J41-016100	B7-10
BRAKE 1	A8-10
BRAKE 2	A11
BRAKE 3	A12
BUMPER	B5-6
CARRIER	C6-7
CONTROLLER 1	C11-12
CONTROLLER 2	D1-2
ELECTRICAL 1	D3-5
FRAME	A3
FRONT SUSPENSION WHEEL	A4-5
REAR AXLE WHEEL	B4
REAR SHOCKS	A2
SEAT	C8
STARTING MOTOR	C9-10
STEERING	A6-7
TECHNICAL BULLETINS	ROW K
TRANSMISSION 1	B2-3
~MODELS IN THIS CATALOG	D6



JG5100-1160

ACCELERATOR



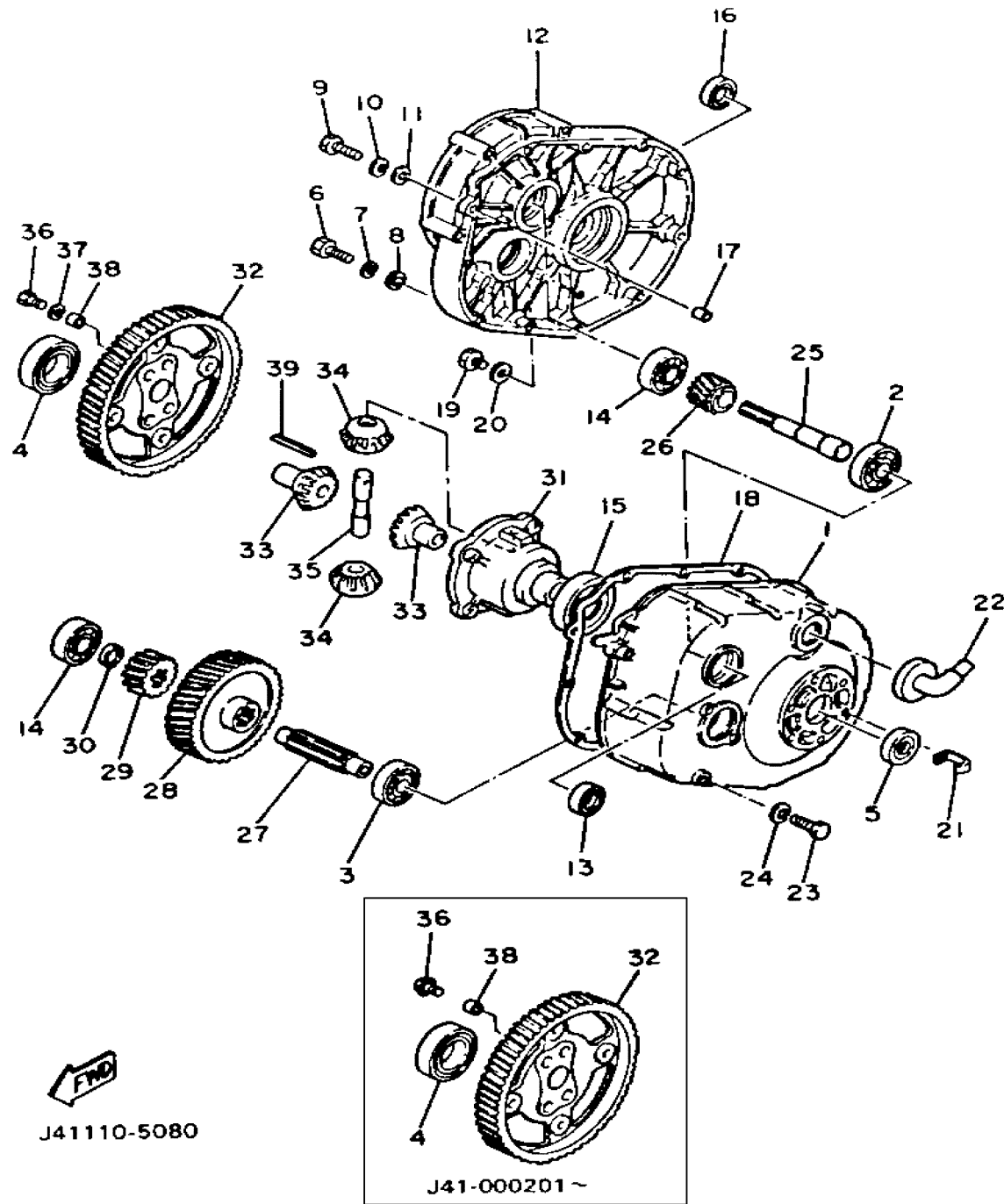
J41110-5070

Ref. No.	Part Number	Description	Qty	Remarks
1	J41-27874-00-00	BRACKET, ACCELERATOR PEDAL	1	
2	J17-27853-00-00	SHAFT, PEDAL 1	1	
3	J22-27872-00-00	ARM, ACCELERATOR PEDAL .	1	
4	91609-60028-00	PIN, SPRING	1	
5	JF3-27871-00-00	PEDAL, ACCELERATOR	1	
6	90381-06033-00	BUSH, SOLID	1	
7	J14-27815-00-00	LEVER, CRANK PEDAL	1	
8	92990-06600-00	WASHER, PLATE	1	
9	91490-20020-00	PIN, COTTER	1	
10	97011-06025-00	BOLT (97001-06025-00)	1	
11	92995-06100-00	WASHER, SPRING	1	
12	90106-08040-00	BOLT	1	
13	95303-08700-00	NUT	1	
14	91609-35028-00	PIN, SPRING	1	
15	90384-14080-00	BUSH, BIMETAL FORMED	2	
16	93210-14104-00	O-RING	4	
17	97313-06016-00	BOLT, HEXAGON	4	
18	92995-06100-00	WASHER, SPRING	4	
19	90506-29283-00	SPRING, TENSION	1	
20	J14-27241-00-00	ROD, JOINT	1	
21	95303-08700-00	NUT	2	
22	90201-07077-00	WASHER, PLATE	2	
23	91401-25020-00	PIN, COTTER	1	
24	90386-07100-00	BUSH	1	
25	90202-10116-00	WASHER, PLATE	1	
26	97011-06025-00	BOLT (97001-06025-00)	1	
27	95380-06700-00	NUT	1	

CONTENTS

ACCELERATOR	B1
BODY JE2 & J41-016101 ~	B11-12,C1
BODY 2 JE2 & J41-016101 ~	C2-3
BODY FITTING	C4-5
BODY ~ J41-016100	B7-10
BRAKE 1	A8-10
BRAKE 2	A11
BRAKE 3	A12
BUMPER	B5-6
CARRIER	C6-7
CONTROLLER 1	C11-12
CONTROLLER 2	D1-2
ELECTRICAL 1	D3-5
FRAME	A3
FRONT SUSPENSION WHEEL	A4-5
REAR AXLE WHEEL	B4
REAR SHOCKS	A2
SEAT	C8
STARTING MOTOR	C9-10
STEERING	A6-7
TECHNICAL BULLETINS	ROW K
TRANSMISSION 1	B2-3
~MODELS IN THIS CATALOG	D6

TRANSMISSION 1



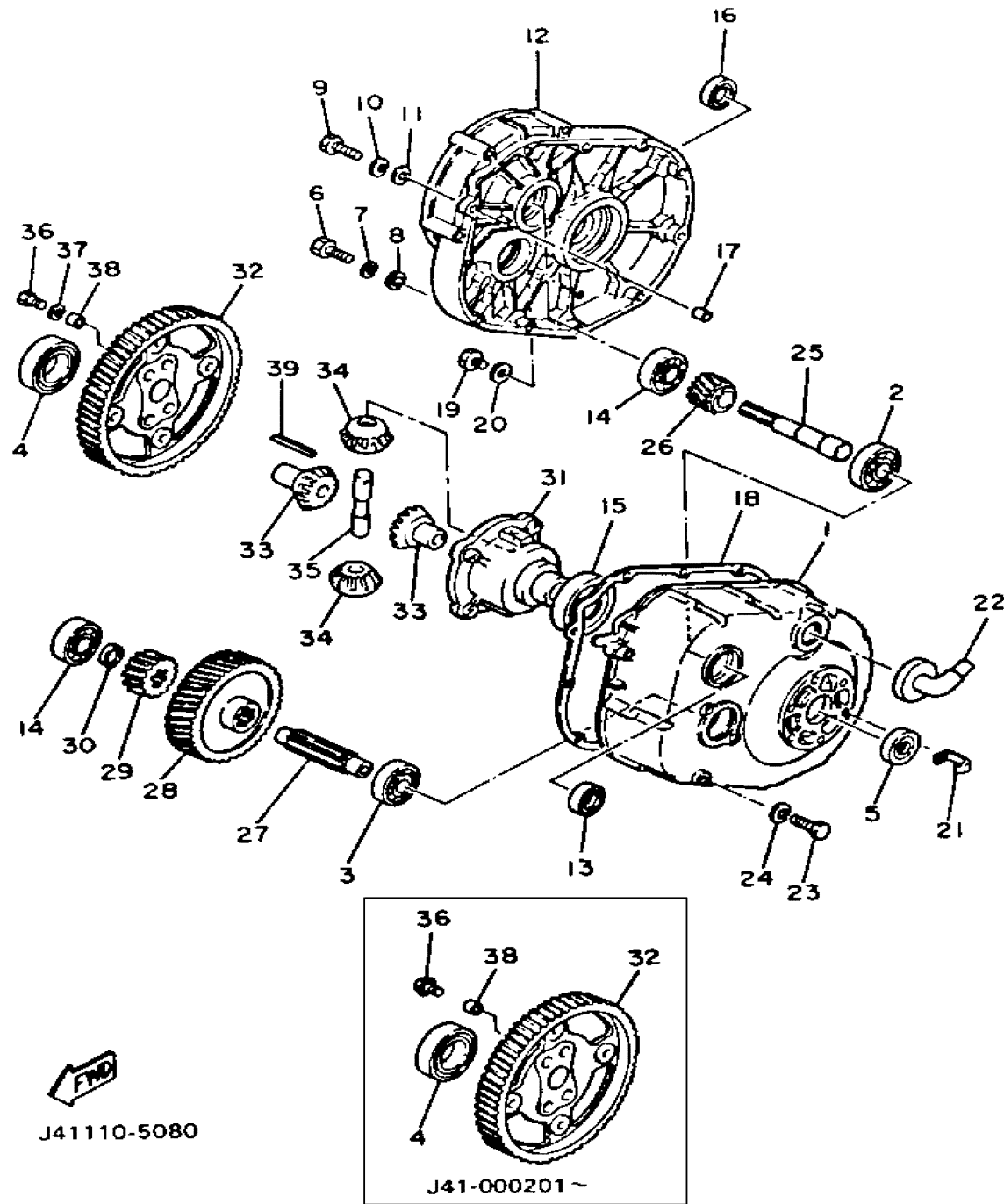
Ref. No.	Part Number	Description	Qty	Remarks
1	J14-46311-00-00	CASE, TRANSMISSION 1	1	
2	93306-20529-00	BEARING (B6205C4)	1	~ J41-000200
	93306-20541-00	BEARING (B6205)	1	J41-000201 - AND JE2
3	93306-20421-00	BEARING	1	
4	93306-00803-00	BEARING (B6008)	1	
5	93102-22189-00	OIL SEAL	1	
6	97313-08035-00	BOLT, HEXAGON	9	
7	92990-08100-00	WASHER	9	
8	92901-08600-00	WASHER	9	
9	97313-08045-00	BOLT	2	
10	92990-08100-00	WASHER	2	
11	92901-08600-00	WASHER	2	
12	J14-46312-02-00	CASE, TRANSMISSION 2	1	
13	93102-20143-00	OIL SEAL	1	
14	93306-20421-00	BEARING	2	
15	93306-00803-00	BEARING (B6008)	1	
16	93102-22189-00	OIL SEAL	1	
17	99510-12016-00	PIN, DOWEL	2	
18	J10-46319-01-00	GASKET	1	
19	90340-14036-00	PLUG, STRAIGHT SCREW	2	
20	90430-14043-00	GASKET	2	
21	90465-06100-00	CLAMP	1	
22	835-47559-00-00	CAP 2	1	
23	97011-10020-00	BOLT	2	
24	92901-10100-00	WASHER, SPRING	2	
25	J14-46321-01-00	SHAFT, INPUT	1	
26	J10-46331-02-00	GEAR, INPUT 1	1	
27	J10-46351-00-00	SHAFT, COUNTER	1	
28	J10-46361-02-00	GEAR, COUNTER 1	1	
29	J17-46362-00-00	GEAR, COUNTER 2	1	

CONTENTS

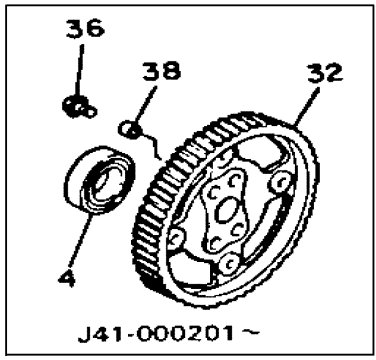
ACCELERATOR	B1
BODY JE2 & J41-016101 ~	B11-12,C1
BODY 2 JE2 & J41-016101 ~	C2-3
BODY FITTING	C4-5
BODY ~ J41-016100	B7-10
BRAKE 1	A8-10
BRAKE 2	A11
BRAKE 3	A12
BUMPER	B5-6
CARRIER	C6-7
CONTROLLER 1	C11-12
CONTROLLER 2	D1-2
ELECTRICAL 1	D3-5
FRAME	A3
FRONT SUSPENSION WHEEL	A4-5
REAR AXLE WHEEL	B4
REAR SHOCKS	A2
SEAT	C8
STARTING MOTOR	C9-10
STEERING	A6-7
TECHNICAL BULLETINS	ROW K
TRANSMISSION 1	B2-3
~MODELS IN THIS CATALOG	D6

CONTINUED ON NEXT FRAME >

TRANSMISSION 1



J41110-5080

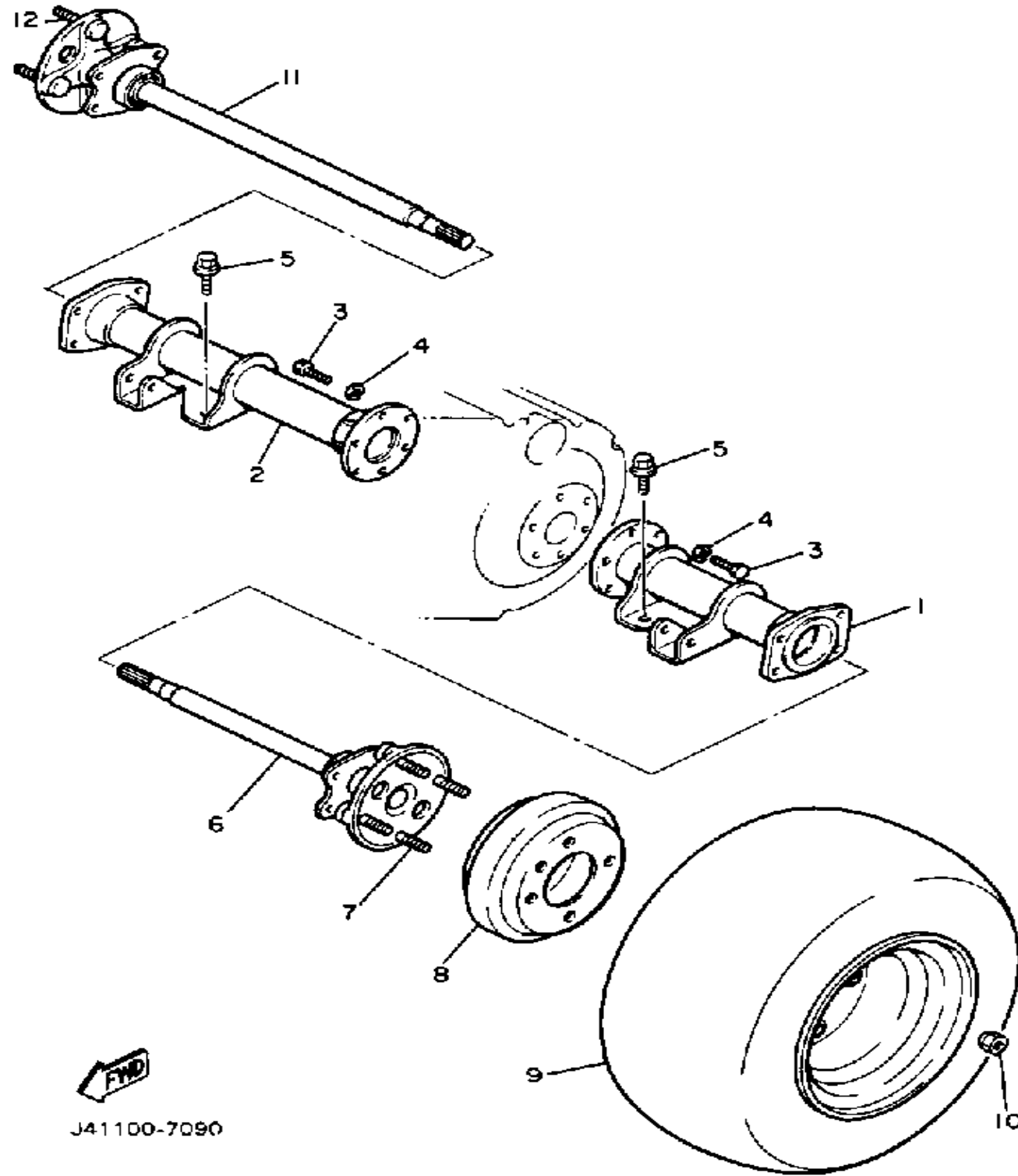


Ref. No.	Part Number	Description	Qty	Remarks
30	90201-20272-00	WASHER, PLATE	1	
31	J38-46411-01-00	CASE, DIFFERENTIAL	1	J41-000201~ AND JE2
	J38-46411-00-00	CASE, DIFFERENTIAL	1	~ J41-000200
32	J17-46421-00-00	GEAR, RING	1	~ J41-000200
	J41-46421-00-00	GEAR, RING	1	J41-000201~ AND JE2
33	J38-46414-00-00	GEAR, DIFFERENTIAL SIDE ..	2	
34	J38-46415-00-00	PINION, DIFFERENTIAL	2	
35	J38-46417-02-00	PIN, DIFFERENTIAL	1	
36	97313-08030-00	BOLT, HEXAGON	4	~ J41-000200
	90105-08390-00	BOLT, WASHER BASED	4	J41-000201~ AND JE2
37	92990-08100-00	WASHER	4	~ J41-000200
38	99510-12016-00	PIN, DOWEL	2	J41-000201~ AND JE2
	99510-10114-00	PIN, DOWEL	2	~J41-000200
39	91690-40040-00	PIN, SPRING	1	

CONTENTS

ACCELERATOR	B1
BODY JE2 & J41-016101 ~	B11-12,C1
BODY 2 JE2 & J41-016101 ~	C2-3
BODY FITTING	C4-5
BODY ~ J41-016100	B7-10
BRAKE 1	A8-10
BRAKE 2	A11
BRAKE 3	A12
BUMPER	B5-6
CARRIER	C6-7
CONTROLLER 1	C11-12
CONTROLLER 2	D1-2
ELECTRICAL 1	D3-5
FRAME	A3
FRONT SUSPENSION WHEEL	A4-5
REAR AXLE WHEEL	B4
REAR SHOCKS	A2
SEAT	C8
STARTING MOTOR	C9-10
STEERING	A6-7
TECHNICAL BULLETINS	ROW K
TRANSMISSION 1	B2-3
~MODELS IN THIS CATALOG	D6

REAR AXLE WHEEL

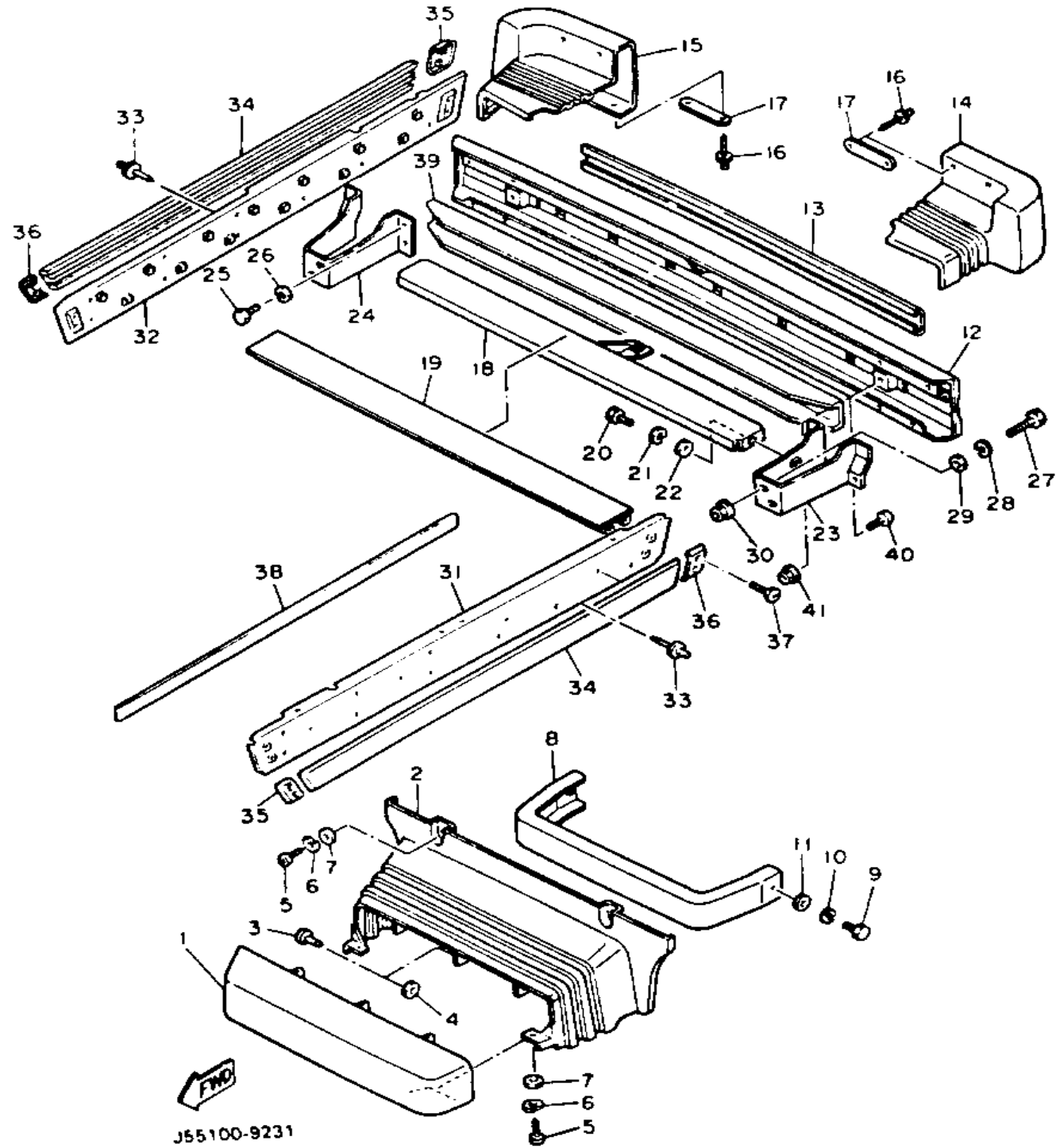


Ref. No.	Part Number	Description	Qty	Remarks
1	J41-46540-01-00	REAR AXLE HOUSING COMP.	1	
2	J41-46550-01-00	REAR AXLE HOUSING COMP. 2	1	
3	97312-08025-00	BOLT (97012-08025-00)	12	
4	92990-08100-00	WASHER	12	
5	95811-10020-00	BOLT, FLANGE (95822-10020-00)	8	
6	J41-46510-00-00	REAR AXLE SHAFT COMP.	1	
7	90114-12004-00	. BOLT, RIBBED NECK	4	
8	J55-G6521-00-00	DRUM	2	
9	J55-F5100-00-00	FRONT WHEEL ASSEMBLY	2	
10	90179-12262-00	NUT	8	
11	J41-46520-00-00	REAR AXLE SHAFT COMP. 2	1	
12	90114-12004-00	. BOLT, RIBBED NECK	4	

CONTENTS

ACCELERATOR	B1
BODY JE2 & J41-016101 ~	B11-12,C1
BODY 2 JE2 & J41-016101 ~	C2-3
BODY FITTING	C4-5
BODY ~ J41-016100	B7-10
BRAKE 1	A8-10
BRAKE 2	A11
BRAKE 3	A12
BUMPER	B5-6
CARRIER	C6-7
CONTROLLER 1	C11-12
CONTROLLER 2	D1-2
ELECTRICAL 1	D3-5
FRAME	A3
FRONT SUSPENSION WHEEL	A4-5
REAR AXLE WHEEL	B4
REAR SHOCKS	A2
SEAT	C8
STARTING MOTOR	C9-10
STEERING	A6-7
TECHNICAL BULLETINS	ROW K
TRANSMISSION 1	B2-3
~MODELS IN THIS CATALOG	D6

BUMPER



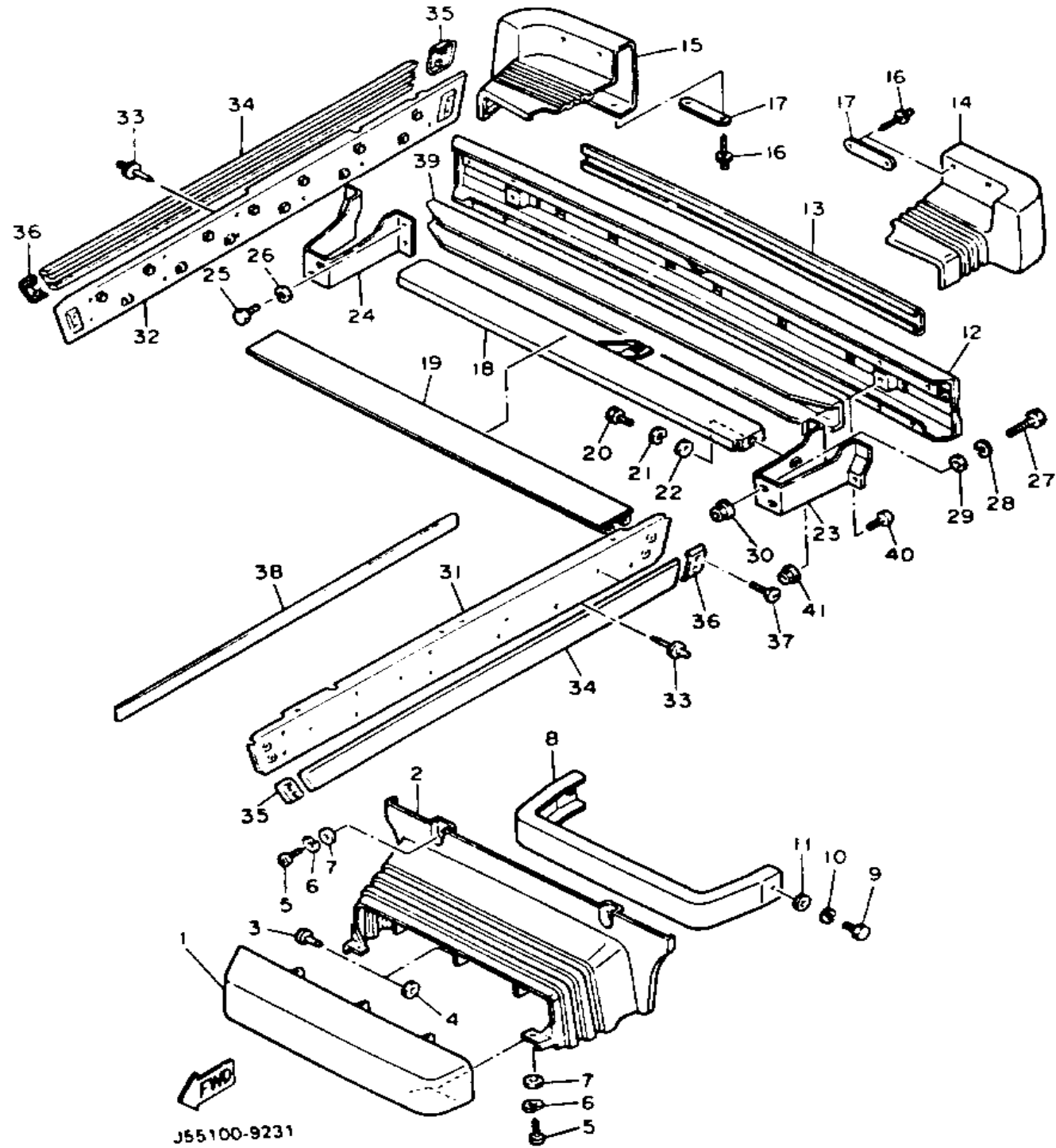
Ref. No.	Part Number	Description	Qty	Remarks
1	J55-K8162-00-00	PAD, FRONT BUMPER	1	
2	J55-K8163-00-00	COVER, BUMPER	1	
3	90269-06028-00	RIVET	3	
4	90201-076J4-00	WASHER, PLATE	3	
5	98506-05020-00	SCREW, PAN HEAD	4	
6	92906-05100-00	WASHER, SPRING	4	
7	90201-05033-00	WASHER, PLATE	4	
8	J55-K7511-00-00	BUMPER, FRONT 1	1	
9	97022-08016-00	BOLT	2	
10	92990-08100-00	WASHER	2	
11	92990-08600-00	WASHER, PLATE	2	
12	JG5-K8107-00-00	BUMPER SUB-ASSEMBLY, REAR	1	
13	J55-K8172-00-00	PAD, REAR BUMPER (J38-78172-00-00)	1	
14	J55-K8167-00-00	BUMPER, RUBBER 1	1	
15	J55-K8168-00-00	BUMPER, RUBBER 2	1	
16	90267-40077-00	RIVET, BLIND	8	
17	J17-77525-00-00	WASHER 1	4	
18	J38-78179-01-00	PLATE, EXTENSION	1	
19	J55-K8178-00-00	COVER, EXTENSION PLATE (J38-78178-00-00)	1	
20	97016-08016-00	BOLT	3	
21	92906-08100-00	WASHER, SPRING	3	
22	92906-08600-00	WASHER	3	
23	J55-K8174-00-00	STAY, REAR BUMPER (J38-78174-01-00)	1	
24	J55-K8175-00-00	STAY, REAR BUMPER 2 (J38-78175-01-00)	1	
25	97016-08016-00	BOLT	6	
26	92906-08100-00	WASHER, SPRING	6	

CONTENTS

ACCELERATOR	B1
BODY JE2 & J41-016101 ~	B11-12,C1
BODY 2 JE2 & J41-016101 ~	C2-3
BODY FITTING	C4-5
BODY ~ J41-016100	B7-10
BRAKE 1	A8-10
BRAKE 2	A11
BRAKE 3	A12
BUMPER	B5-6
CARRIER	C6-7
CONTROLLER 1	C11-12
CONTROLLER 2	D1-2
ELECTRICAL 1	D3-5
FRAME	A3
FRONT SUSPENSION WHEEL	A4-5
REAR AXLE WHEEL	B4
REAR SHOCKS	A2
SEAT	C8
STARTING MOTOR	C9-10
STEERING	A6-7
TECHNICAL BULLETINS	ROW K
TRANSMISSION 1	B2-3
~MODELS IN THIS CATALOG	D6

CONTINUED ON NEXT FRAME ➤

BUMPER

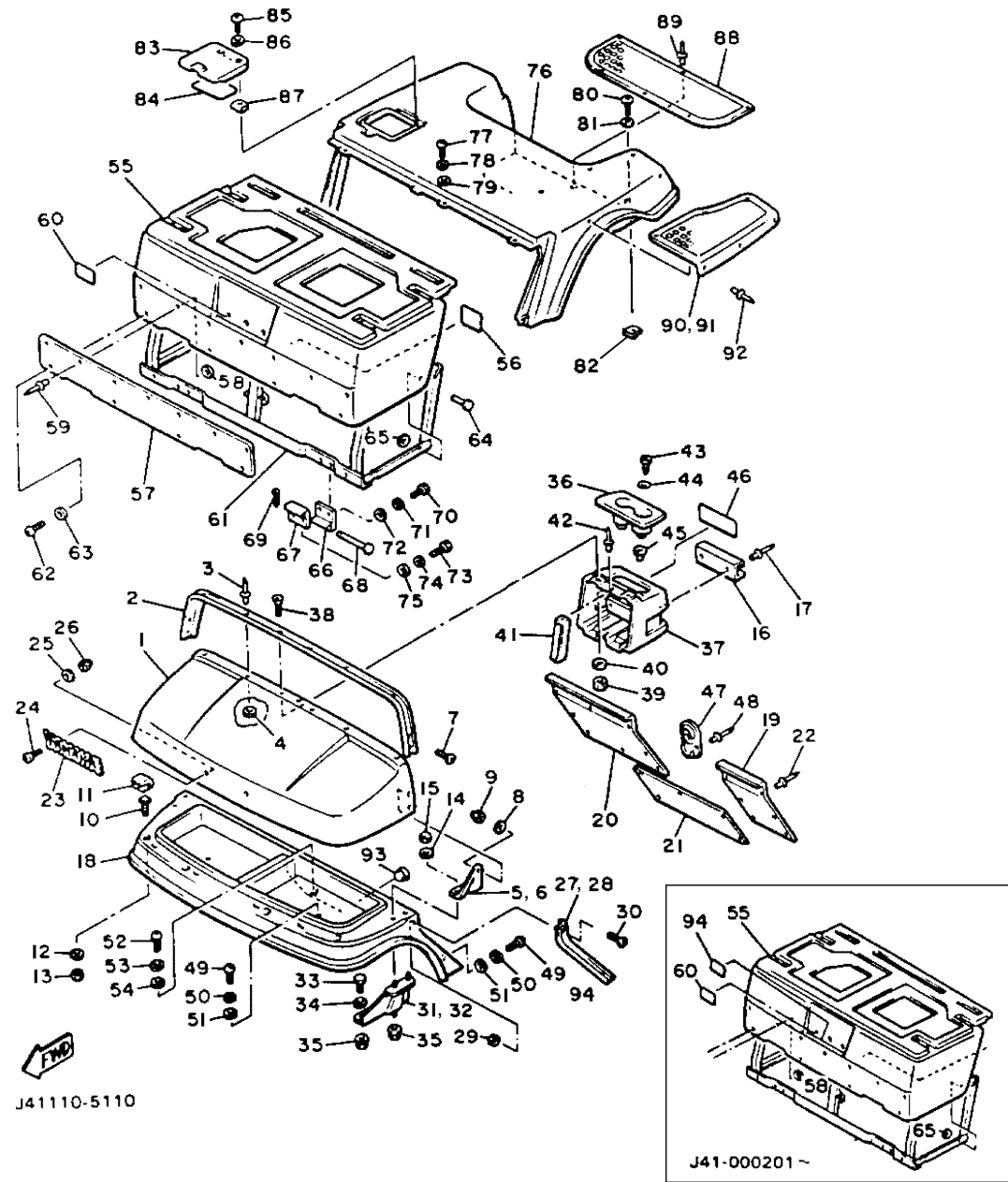


Ref. No.	Part Number	Description	Qty	Remarks
27	97026-08050-00	BOLT	4	
28	92906-08100-00	WASHER, SPRING	4	
29	92906-08600-00	WASHER	4	
30	95706-08500-00	NUT, FLANGE	4	
31	J55-WK811-00-00	PLATE, SIDE SILL KIT - LH ...	1	
32	J55-WK812-00-00	PLATE, SIDE SILL KIT - RH ...	1	
33	90267-48139-00	RIVET, BLIND	18	
34	J55-K818A-00-00	PROTECTOR, SIDE PLATE ...	2	
35	J38-7818E-00-00	CAP, PROTECT END 1	2	
36	J38-7818F-00-00	CAP, PROTECT END 2	2	
37	98606-06014-00	SCREW, OVAL HEAD	8	
38	J55-78181-00-00	PLATE 1	4	AP
39	J55-77529-00-00	SPACER, BUMPER	1	AP
40	92016-08016-00	BOLT, BUTTON HEAD	2	AP
41	95706-08500-00	NUT, FLANGE	2	AP

CONTENTS

ACCELERATOR	B1
BODY JE2 & J41-016101 ~	B11-12,C1
BODY 2 JE2 & J41-016101 ~	C2-3
BODY FITTING	C4-5
BODY ~ J41-016100	B7-10
BRAKE 1	A8-10
BRAKE 2	A11
BRAKE 3	A12
BUMPER	B5-6
CARRIER	C6-7
CONTROLLER 1	C11-12
CONTROLLER 2	D1-2
ELECTRICAL 1	D3-5
FRAME	A3
FRONT SUSPENSION WHEEL	A4-5
REAR AXLE WHEEL	B4
REAR SHOCKS	A2
SEAT	C8
STARTING MOTOR	C9-10
STEERING	A6-7
TECHNICAL BULLETINS	ROW K
TRANSMISSION 1	B2-3
~MODELS IN THIS CATALOG	D6

BODY ~ J41-016100



J41110-5110

J41-000201 ~

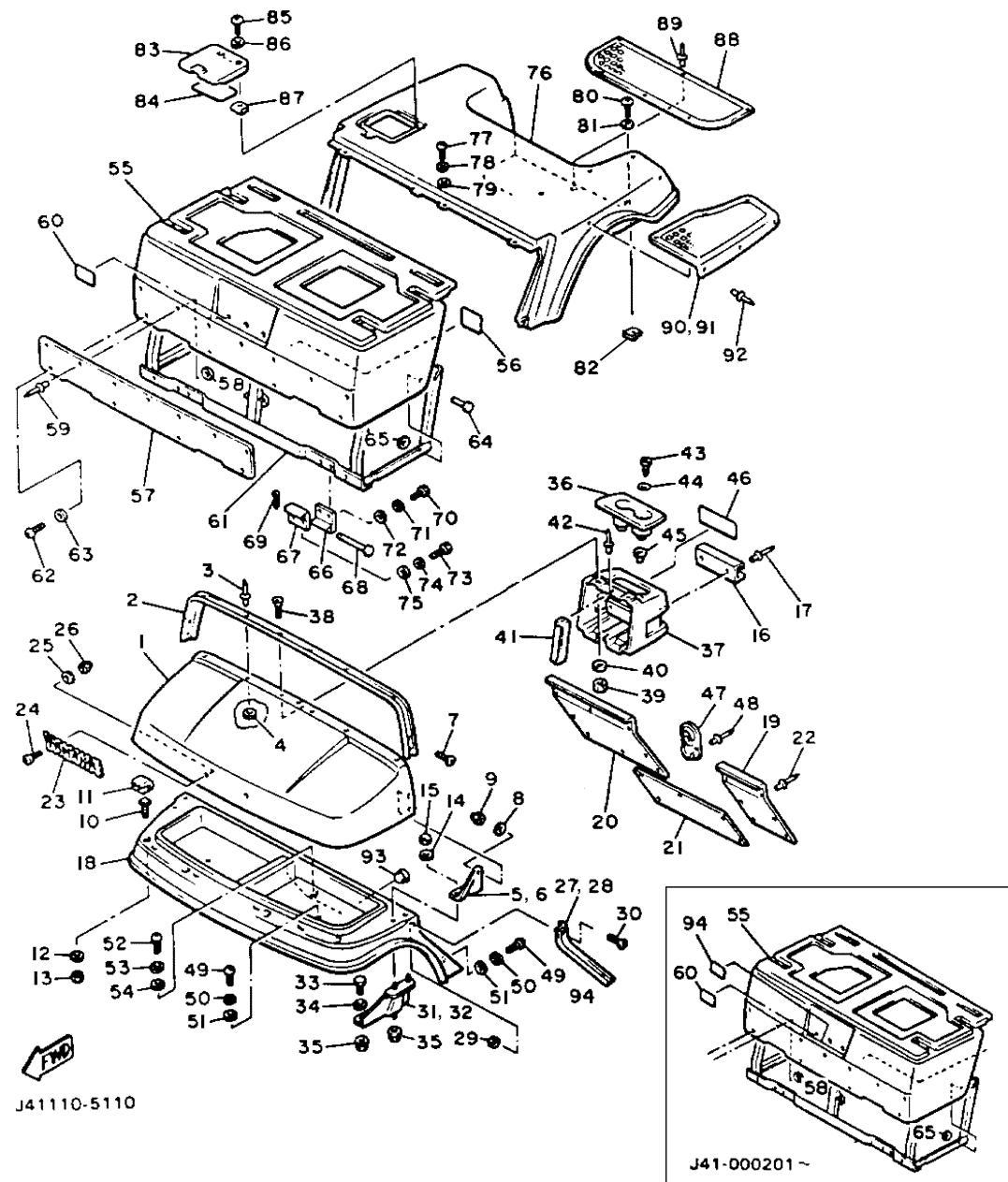
Ref. No.	Part Number	Description	Qty	Remarks
1	J55-K8116-00-00	COWL, FRONT UPPER	1	
2	J38-7811A-01-00	TRIM, UPPER COWL	1	
3	90267-48051-00	RIVET, BLIND	4	
4	90201-046J3-00	WASHER, PLATE	4	
5	J55-K811E-00-00	STAY, UPPER COWL (L.H.) (J38-7811E-01-00)	1	
6	J55-K811F-00-00	STAY, UPPER COWL (R.H.) (J38-7811F-01-00)	1	
7	90151-06039-00	SCREW, COUNTERSUNK	4	
8	92990-06200-00	WASHER	4	
9	95380-06800-00	NUT	4	
10	J38-7811G-00-00	BOLT, COWL FITTING	4	
11	J38-7811H-00-00	RETAINER, COWL FITTING	4	
12	90201-065F3-00	WASHER, PLATE	4	
13	95601-06100-00	NUT, U	4	
14	90201-062G3-00	WASHER, PLATE	4	
15	95380-06800-00	NUT	4	
16	J55-K835A-00-00	HOLDER, BALL	1	
17	90267-63047-00	RIVET, BLIND	2	
18	J55-K8115-01-00	COWL, FRONT (J38-78115-02-00)	1	
19	J55-K8231-00-00	MAT, MAIN FLOOR 1 (J38-78231-01-00)	1	
20	J55-K8232-00-00	MAT, MAIN FLOOR 2 (J38-78232-01-00)	1	
21	J55-K8236-00-00	MAT, PEDAL FLOOR (J38-78236-01-00)	1	
22	90267-63047-00	RIVET, BLIND	18	
23	J38-24161-00-00	EMBLEM 1	1	
24	90152-04015-00	SCREW, COUNTERSUNK	2	
25	92906-04200-00	WASHER, PLAIN	2	
26	95606-04100-00	NUT, U	2	

CONTENTS

ACCELERATOR	B1
BODY JE2 & J41-016101 ~	B11-12,C1
BODY 2 JE2 & J41-016101 ~	C2-3
BODY FITTING	C4-5
BODY ~ J41-016100	B7-10
BRAKE 1	A8-10
BRAKE 2	A11
BRAKE 3	A12
BUMPER	B5-6
CARRIER	C6-7
CONTROLLER 1	C11-12
CONTROLLER 2	D1-2
ELECTRICAL 1	D3-5
FRAME	A3
FRONT SUSPENSION WHEEL	A4-5
REAR AXLE WHEEL	B4
REAR SHOCKS	A2
SEAT	C8
STARTING MOTOR	C9-10
STEERING	A6-7
TECHNICAL BULLETINS	ROW K
TRANSMISSION 1	B2-3
~MODELS IN THIS CATALOG	D6

CONTINUED ON NEXT FRAME >

BODY ~ J41-016100



J41110-5110

J41-000201 ~

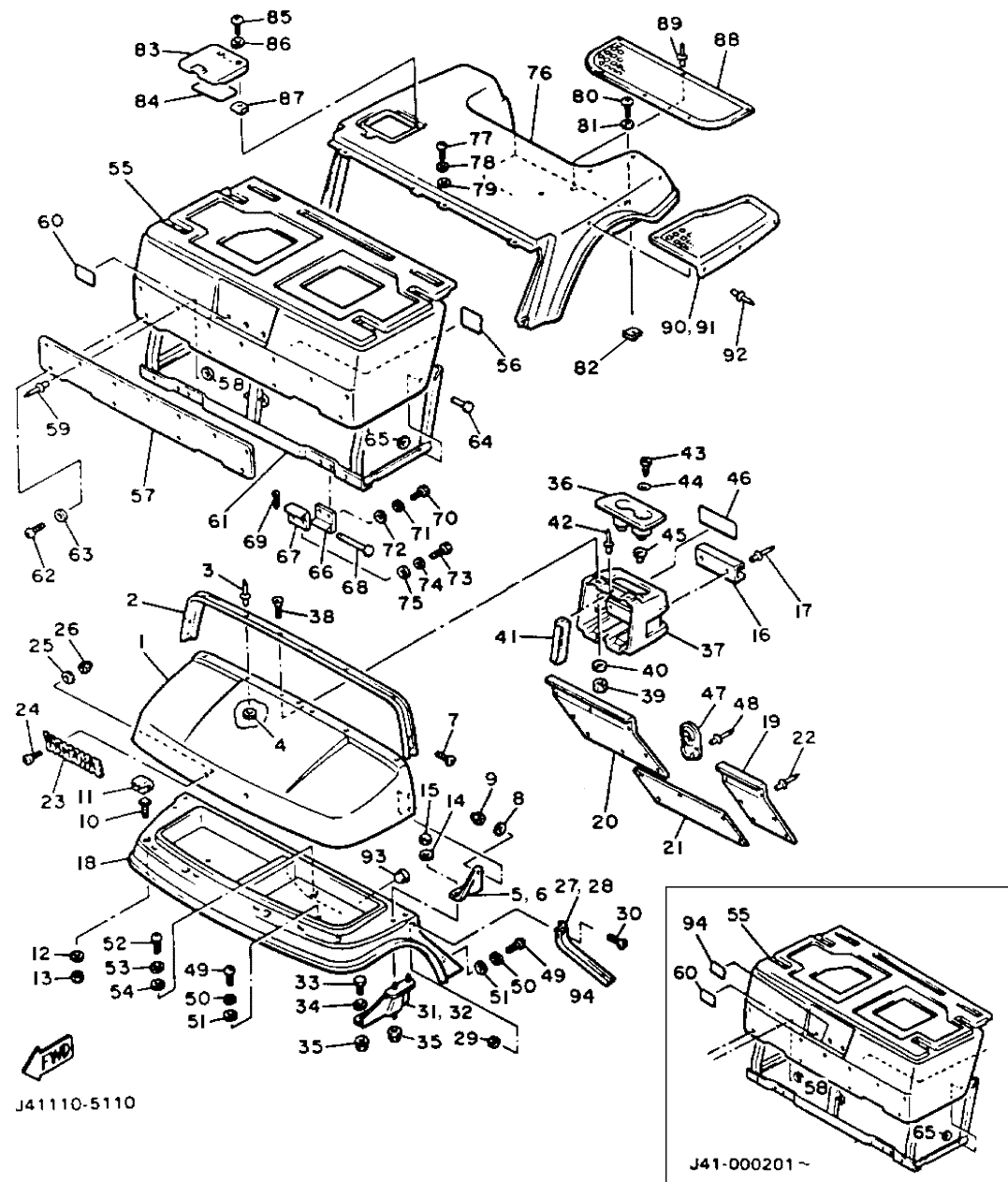
Ref. No.	Part Number	Description	Qty	Remarks
27	J38-7811L-00-00	TRIM, COWL SIDE (L.H.)	1	
28	J38-7811M-00-00	TRIM, COWL SIDE (R.H.)	1	
29	J38-7811K-00-00	NUT, TRIM FITTING	4	
30	90151-06039-00	SCREW, COUNTERSUNK	4	
31	J38-7812E-01-00	SUPPORT, UPPER COWL (L.H.)	1	
32	J38-7812F-01-00	SUPPORT, UPPER COWL (R.H.)	1	
33	97022-08016-00	BOLT	2	
34	92990-08600-00	WASHER, PLATE	2	
35	95701-08500-00	NUT, FLANGE	4	
36	J55-K835E-00-00	HOLDER, BEVERAGE (J38-7835E-03-00)	1	
37	J55-K835G-00-00	HOUSING, HOLDER (J38-7835G-01-00)	1	
38	90151-06040-00	SCREW, COUNTERSUNK	2	
39	J38-78145-00-00	NUT, REAR BODY MOUNTING	2	
40	90202-06008-00	WASHER, PLATE	2	
41	J38-7834A-00-00	REINF., HOLDER	1	
42	90267-48086-00	RIVET, BLIND	2	
43	97780-50120-00	SCREW, TAPPING	2	
44	90201-05556-00	WASHER, PLATE	2	
45	90480-07241-00	GROMMET	2	
46	J55-77768-10-00	LABEL, WARNING (J38-77768-10-00)	1	
47	J38-78273-00-00	COVER, HOLE	1	
48	90269-11042-00	RIVET	2	
49	92580-06020-00	SCREW, PAN HEAD	4	
50	92995-06100-00	WASHER, SPRING	4	
51	90201-06697-00	WASHER, PLATE	4	
52	98580-06016-00	SCREW, PAN HEAD	1	
53	92995-06100-00	WASHER, SPRING	1	
54	90201-06049-00	WASHER, PLATE	1	

CONTENTS

ACCELERATOR	B1
BODY JE2 & J41-016101 ~	B11-12,C1
BODY 2 JE2 & J41-016101 ~	C2-3
BODY FITTING	C4-5
BODY ~ J41-016100	B7-10
BRAKE 1	A8-10
BRAKE 2	A11
BRAKE 3	A12
BUMPER	B5-6
CARRIER	C6-7
CONTROLLER 1	C11-12
CONTROLLER 2	D1-2
ELECTRICAL 1	D3-5
FRAME	A3
FRONT SUSPENSION WHEEL	A4-5
REAR AXLE WHEEL	B4
REAR SHOCKS	A2
SEAT	C8
STARTING MOTOR	C9-10
STEERING	A6-7
TECHNICAL BULLETINS	ROW K
TRANSMISSION 1	B2-3
~MODELS IN THIS CATALOG	D6

CONTINUED ON NEXT FRAME >

BODY ~ J41-016100



J41110-5110

J41-000201~

Ref. No.	Part Number	Description	Qty	Remarks
55	J55-K8141-00-00	PANEL, INTERMEDIATE BODY	1	
56	J22-77765-00-00	LABEL, WARNING 5	1	
57	J38-7814N-00-00	PLATE, ORNAMENT	1	
58	90201-04325-00	WASHER, PLATE	7	
59	90267-40054-00	RIVET, BLIND	7	
60	J41-77458-10-00	LABEL, WARNING (J41-77458-00-00-00)	1	
61	J56-K8121-00-00	REINFORCEMENT 1 (J41-78121-01-00)	1	
62	98980-06016-00	SCREW, BINDING	4	
63	90201-06697-00	WASHER, PLATE	4	
64	90338-06169-00	PLUG	2	
65	90183-06011-00	NUT, SPRING	2	
66	J55-K8143-00-00	HINGE, INTERMEDIATE BODY 1	2	
67	J55-K8144-00-00	HINGE, INTERMEDIATE BODY 2	2	
68	91790-06125-00	PIN, CLEVIS	2	
69	91490-20015-00	PIN, COTTER	2	
70	97003-06012-00	BOLT (97001-06012-00)	4	
71	92995-06100-00	WASHER, SPRING	4	
72	92990-06600-00	WASHER, PLATE	4	
73	97023-06020-00	BOLT (3XF)	4	
74	92995-06100-00	WASHER, SPRING	4	
75	92990-06600-00	WASHER, PLATE	4	
76	90891-60024-00	PANEL, REAR BODY (J38-78142-01)	1	
77	92580-06020-00	SCREW, PAN HEAD	3	
78	92995-06100-00	WASHER, SPRING	3	
79	90201-06M08-00	WASHER, PLATE	3	
80	98980-06016-00	SCREW, BINDING	2	

CONTENTS

ACCELERATOR	B1
BODY JE2 & J41-016101 ~	B11-12,C1
BODY 2 JE2 & J41-016101 ~	C2-3
BODY FITTING	C4-5
BODY ~ J41-016100	B7-10
BRAKE 1	A8-10
BRAKE 2	A11
BRAKE 3	A12
BUMPER	B5-6
CARRIER	C6-7
CONTROLLER 1	C11-12
CONTROLLER 2	D1-2
ELECTRICAL 1	D3-5
FRAME	A3
FRONT SUSPENSION WHEEL	A4-5
REAR AXLE WHEEL	B4
REAR SHOCKS	A2
SEAT	C8
STARTING MOTOR	C9-10
STEERING	A6-7
TECHNICAL BULLETINS	ROW K
TRANSMISSION 1	B2-3
~MODELS IN THIS CATALOG	D6

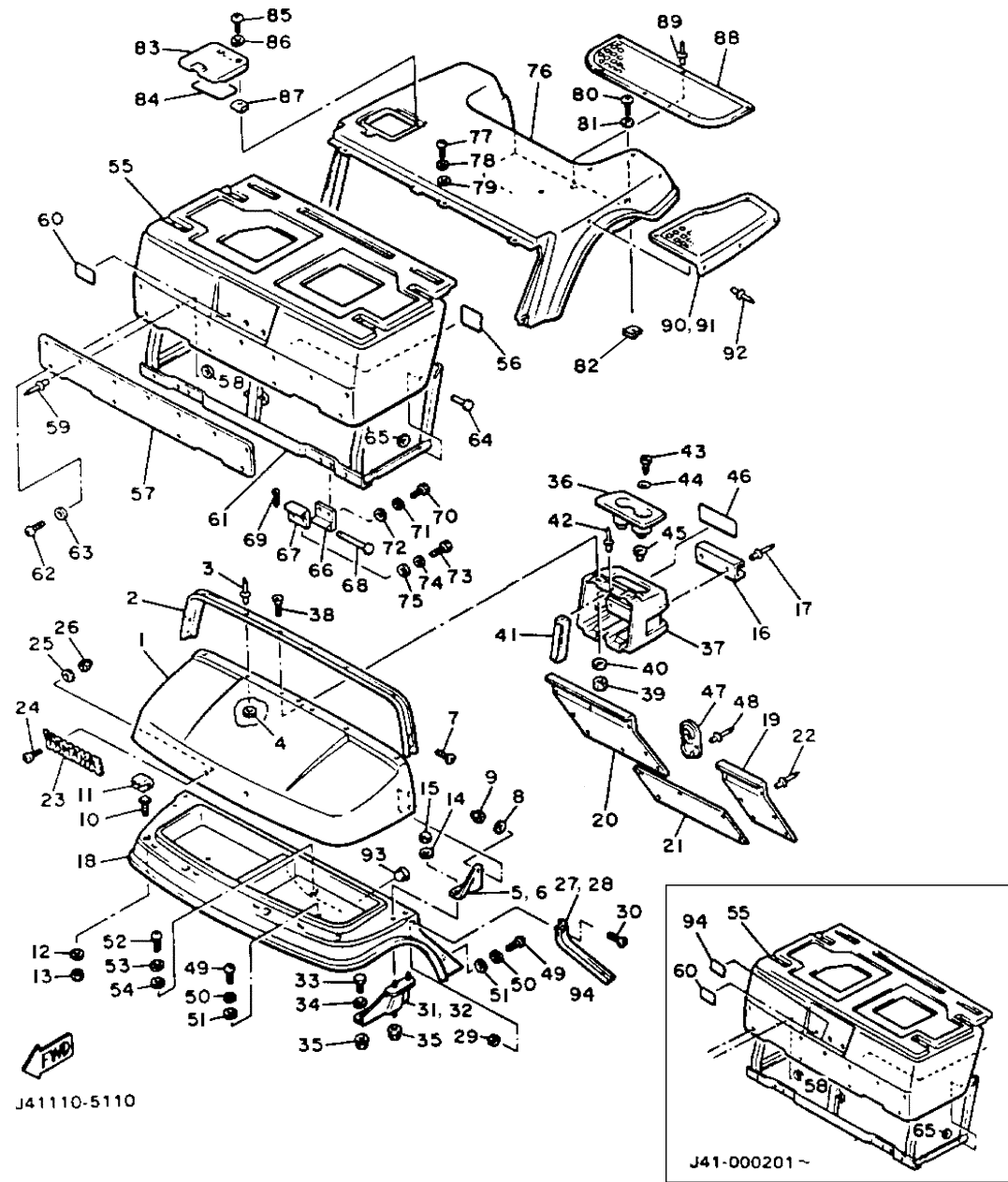
CONTINUED ON NEXT FRAME ►

BODY ~ J41-016100

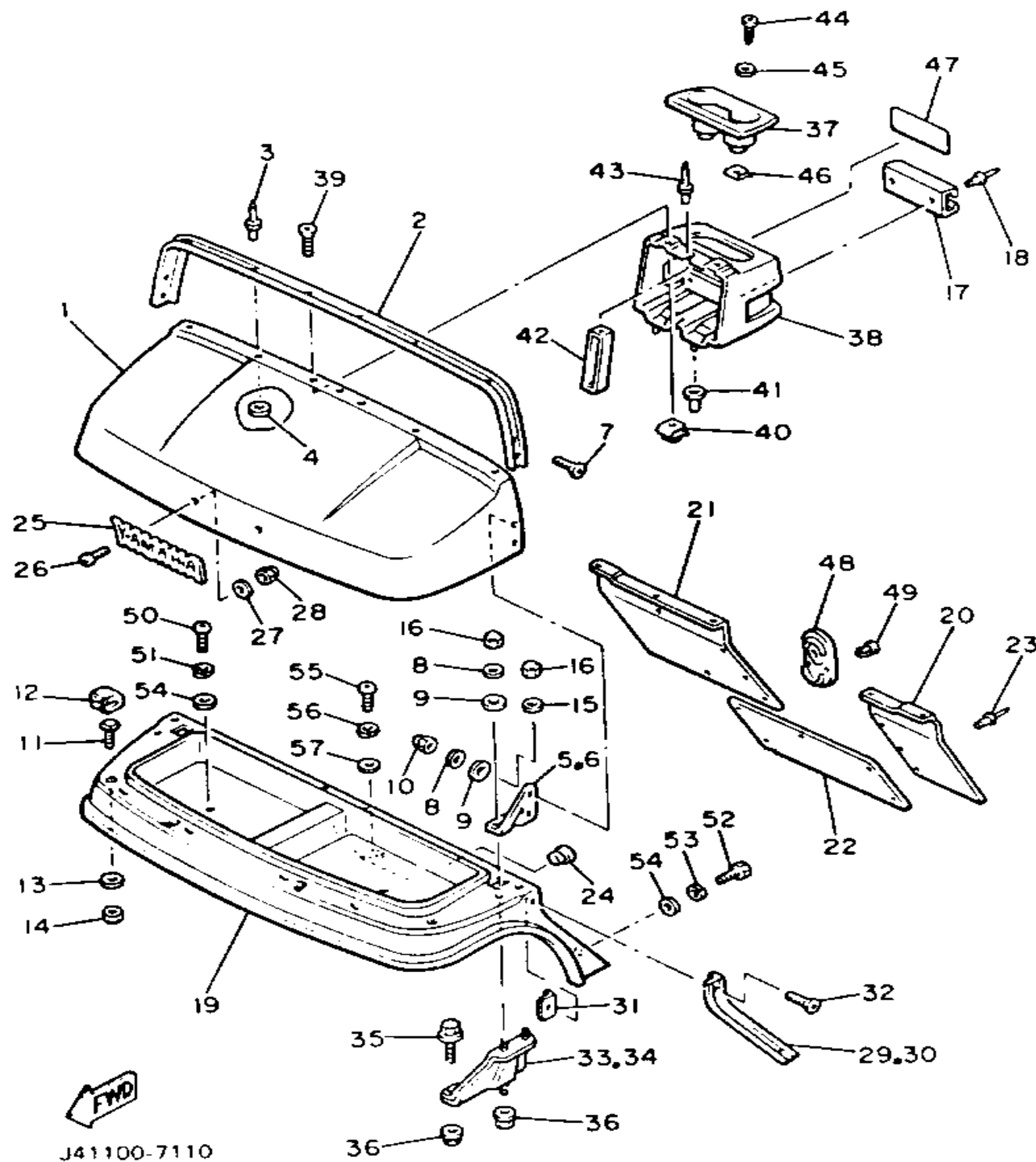
Ref. No.	Part Number	Description	Qty	Remarks
81	90201-065F3-00	WASHER, PLATE	2	
82	90183-06028-00	NUT, SPRING	2	
83	J55-K8272-00-00	COVER, FUEL INLET	1	
84	J51-77764-00-00	LABEL, WARNING 4	1	
85	98511-04012-00	SCREW, PAN HEAD	2	
86	92901-04600-00	WASHER, PLATE	2	
87	J38-78276-00-00	NUT, INLET FITTING	2	
88	J55-K8241-00-00	MAT, REAR FLOOR (J38-78241-00-00)	1	
89	90267-63047-00	RIVET, BLIND	6	
90	J55-K8243-00-00	MAT, REAR BODY SIDE (LH)	1	
91	J55-K8244-00-00	MAT, REAR BODY SIDE (RH)	1	
92	90267-63047-00	RIVET, BLIND	12	
93	J41-78274-01-00	COVER, HOLE 2	1	
94	J38-77741-10-00	INDICATOR 1	1	J41-000201~016100

CONTENTS

ACCELERATOR	B1
BODY JE2 & J41-016101 ~	B11-12,C1
BODY 2 JE2 & J41-016101 ~	C2-3
BODY FITTING	C4-5
BODY ~ J41-016100	B7-10
BRAKE 1	A8-10
BRAKE 2	A11
BRAKE 3	A12
BUMPER	B5-6
CARRIER	C6-7
CONTROLLER 1	C11-12
CONTROLLER 2	D1-2
ELECTRICAL 1	D3-5
FRAME	A3
FRONT SUSPENSION WHEEL	A4-5
REAR AXLE WHEEL	B4
REAR SHOCKS	A2
SEAT	C8
STARTING MOTOR	C9-10
STEERING	A6-7
TECHNICAL BULLETINS	ROW K
TRANSMISSION 1	B2-3
~MODELS IN THIS CATALOG	D6



BODY JE2 & J41-016101 ~



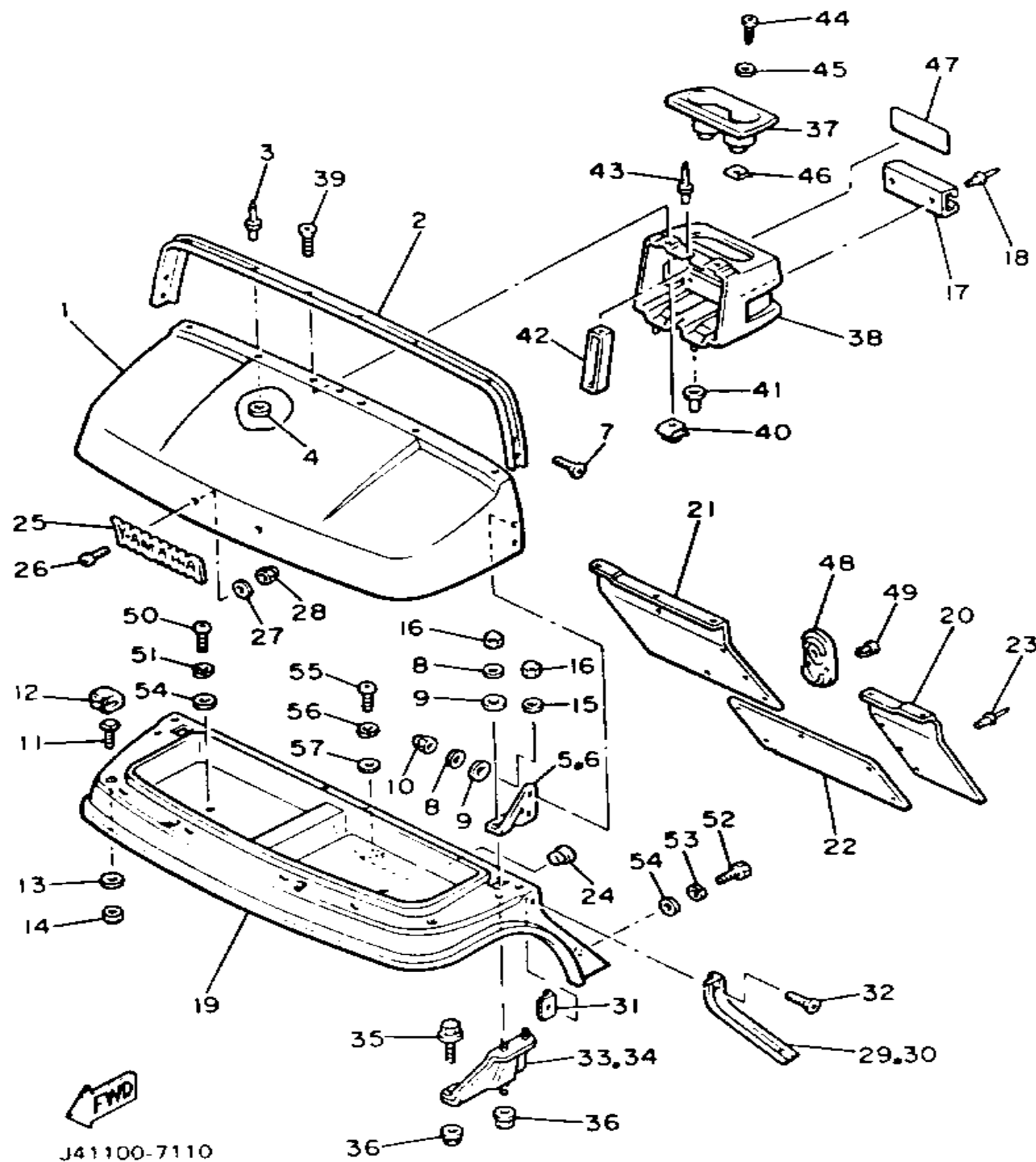
Ref. No.	Part Number	Description	Qty	Remarks
1	J55-K8116-00-00	COWL, FRONT UPPER	1	
2	J38-7811A-01-00	TRIM, UPPER COWL	1	
3	90267-48051-00	RIVET, BLIND	4	
4	90201-046J3-00	WASHER, PLATE	4	
5	J55-K811E-00-00	STAY, UPPER COWL (L.H.) (J38-7811E-01-00)	1	
6	J55-K811F-00-00	STAY, UPPER COWL (R.H.) (J38-7811F-01-00)	1	
7	90151-06039-00	SCREW, COUNTERSUNK	4	
8	92990-06200-00	WASHER	6	
9	90202-06172-00	WASHER, PLATE	6	
10	95380-06800-00	NUT	4	
11	J38-7811G-00-00	BOLT, COWL FITTING	4	
12	J38-7811H-00-00	RETAINER, COWL FITTING	4	
13	90201-065F3-00	WASHER, PLATE	4	
14	95601-06100-00	NUT, U	4	
15	90201-062G3-00	WASHER, PLATE	2	
16	95380-06800-00	NUT	4	
17	J55-K835A-00-00	HOLDER, BALL	1	
18	90267-63047-00	RIVET, BLIND	2	
19	J55-K8115-01-00	COWL, FRONT (J38-78115-02-00)	1	
20	J55-K8231-00-00	MAT, MAIN FLOOR 1 (J38-78231-01-00)	1	
21	J55-K8232-00-00	MAT, MAIN FLOOR 2 (J38-78232-01-00)	1	
22	J55-K8236-00-00	MAT, PEDAL FLOOR (J38-78236-01-00)	1	
23	90267-63047-00	RIVET, BLIND	16	
24	J41-78274-01-00	COVER, HOLE 2	1	
25	J38-24161-00-00	EMBLEM 1	1	
26	90152-04015-00	SCREW, COUNTERSUNK	2	

CONTENTS

ACCELERATOR	B1
BODY JE2 & J41-016101 ~	B11-12,C1
BODY 2 JE2 & J41-016101 ~	C2-3
BODY FITTING	C4-5
BODY ~ J41-016100	B7-10
BRAKE 1	A8-10
BRAKE 2	A11
BRAKE 3	A12
BUMPER	B5-6
CARRIER	C6-7
CONTROLLER 1	C11-12
CONTROLLER 2	D1-2
ELECTRICAL 1	D3-5
FRAME	A3
FRONT SUSPENSION WHEEL	A4-5
REAR AXLE WHEEL	B4
REAR SHOCKS	A2
SEAT	C8
STARTING MOTOR	C9-10
STEERING	A6-7
TECHNICAL BULLETINS	ROW K
TRANSMISSION 1	B2-3
~MODELS IN THIS CATALOG	D6

CONTINUED ON NEXT FRAME ►

BODY JE2 & J41-016101 ~



Ref. No.	Part Number	Description	Qty	Remarks
27	92906-04200-00	WASHER, PLAIN	2	
28	95606-04100-00	NUT, U	2	
29	J38-7811L-00-00	TRIM, COWL SIDE (L.H.)	1	
30	J38-7811M-00-00	TRIM, COWL SIDE (R.H.)	1	
31	J38-7811K-00-00	NUT, TRIM FITTING	4	
32	90151-06039-00	SCREW, COUNTERSUNK	4	
33	J38-7812E-01-00	SUPPORT, UPPER COWL (L.H.)	1	
34	J38-7812F-01-00	SUPPORT, UPPER COWL (R.H.)	1	
35	95811-08016-00	BOLT, FLANGE	2	
36	95701-08500-00	NUT, FLANGE	4	
37	J55-K835E-00-00	HOLDER, BEVERAGE (J38-7835E-03-00)	1	
38	J55-K835G-00-00	HOUSING, HOLDER (J38-7835G-01-00)	1	
39	90151-06040-00	SCREW, COUNTERSUNK	2	
40	J38-78145-00-00	NUT, REAR BODY MOUNTING	2	
41	90480-12355-00	GROMMET	2	
42	J38-7834A-00-00	REINF., HOLDER	1	
43	90267-48086-00	RIVET, BLIND	2	
44	97780-50125-00	SCREW, TAPPING	2	
45	90201-05556-00	WASHER, PLATE	2	
46	90183-05001-00	NUT, SPRING	2	
47	J55-77768-10-00	LABEL, WARNING (J38-77768-10-00)	1	
48	J38-78273-00-00	COVER, HOLE	1	
49	90269-11042-00	RIVET	2	
50	98580-06020-00	SCREW	2	
51	92995-06100-00	WASHER, SPRING	2	
52	97395-06020-00	BOLT, HEXAGON	2	
53	92995-06100-00	WASHER, SPRING	2	
54	90201-06697-00	WASHER, PLATE	4	

CONTENTS

ACCELERATOR	B1
BODY JE2 & J41-016101 ~	B11-12,C1
BODY 2 JE2 & J41-016101 ~	C2-3
BODY FITTING	C4-5
BODY ~ J41-016100	B7-10
BRAKE 1	A8-10
BRAKE 2	A11
BRAKE 3	A12
BUMPER	B5-6
CARRIER	C6-7
CONTROLLER 1	C11-12
CONTROLLER 2	D1-2
ELECTRICAL 1	D3-5
FRAME	A3
FRONT SUSPENSION WHEEL	A4-5
REAR AXLE WHEEL	B4
REAR SHOCKS	A2
SEAT	C8
STARTING MOTOR	C9-10
STEERING	A6-7
TECHNICAL BULLETINS	ROW K
TRANSMISSION 1	B2-3
~MODELS IN THIS CATALOG	D6

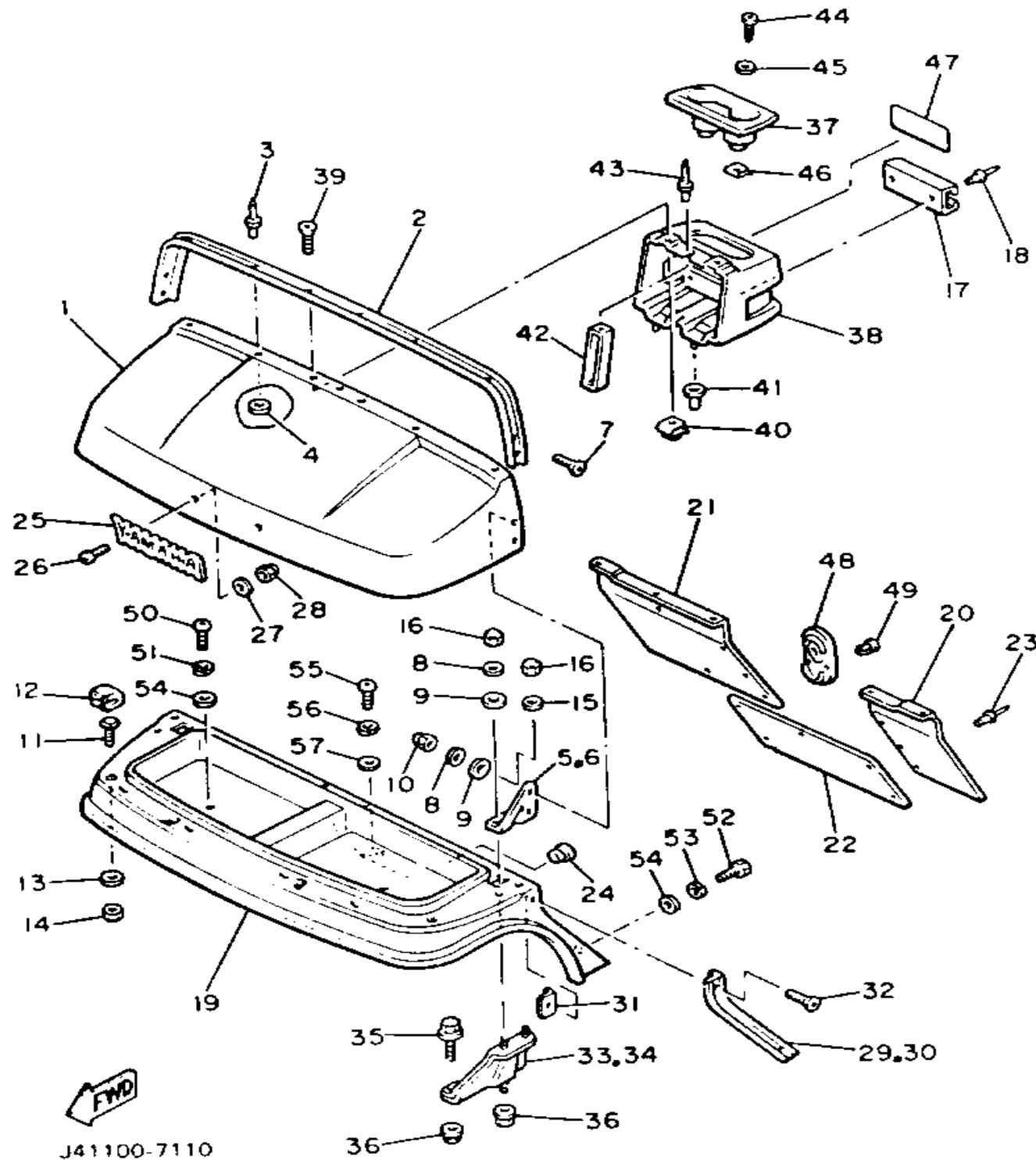
CONTINUED ON NEXT FRAME >

BODY JE2 & J41-016101 ~

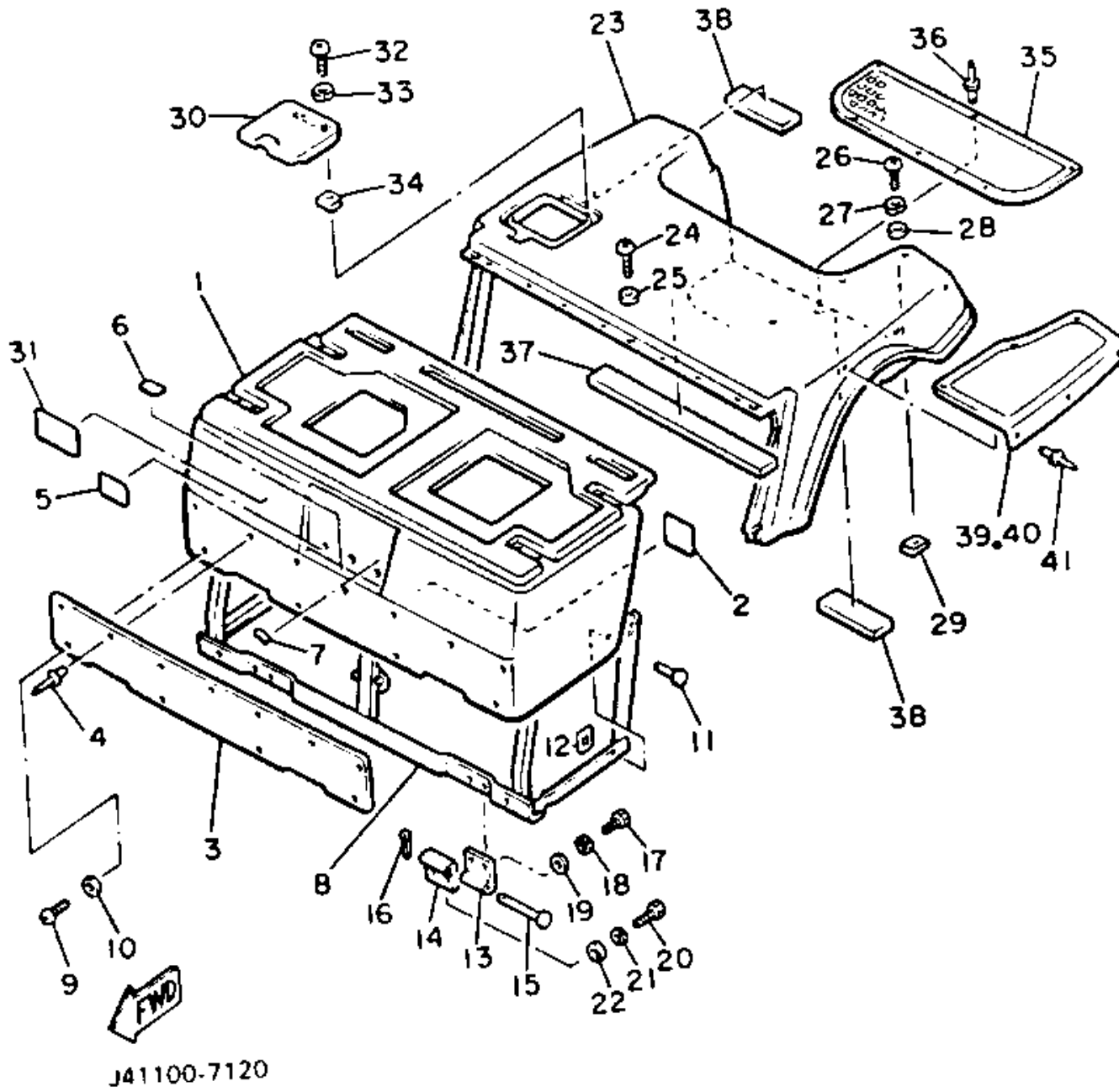
Ref. No.	Part Number	Description	Qty	Remarks
55	92580-06020-00	SCREW, PAN HEAD	1	
56	92990-06100-00	WASHER, SPRING	1	
57	90201-06049-00	WASHER, PLATE	1	

CONTENTS

ACCELERATOR	B1
BODY JE2 & J41-016101 ~	B11-12,C1
BODY 2 JE2 & J41-016101 ~	C2-3
BODY FITTING	C4-5
BODY ~ J41-016100	B7-10
BRAKE 1	A8-10
BRAKE 2	A11
BRAKE 3	A12
BUMPER	B5-6
CARRIER	C6-7
CONTROLLER 1	C11-12
CONTROLLER 2	D1-2
ELECTRICAL 1	D3-5
FRAME	A3
FRONT SUSPENSION WHEEL	A4-5
REAR AXLE WHEEL	B4
REAR SHOCKS	A2
SEAT	C8
STARTING MOTOR	C9-10
STEERING	A6-7
TECHNICAL BULLETINS	ROW K
TRANSMISSION 1	B2-3
~MODELS IN THIS CATALOG	D6



BODY 2 JE2 & J41-016101 ~



Ref. No.	Part Number	Description	Qty	Remarks
1	J55-K8141-00-00	PANEL, INTERMEDIATE BODY	1	
2	J22-77765-00-00	LABEL, WARNING 5	1	
3	J38-7814N-00-00	PLATE, ORNAMENT	1	
4	90267-40131-00	RIVET, BLIND	7	
5	J41-77458-10-00	LABEL, WARNING (J41-77458-00-00-00)	1	
6	J38-77741-10-00	INDICATOR 1	1	
7	J38-77742-00-00	INDICATOR 2	1	
8	J56-K8121-00-00	REINFORCEMENT 1 (J41-78121-01-00)	1	
9	98980-06016-00	SCREW, BINDING	4	
10	90201-06697-00	WASHER, PLATE	4	
11	90338-06169-00	PLUG	2	
12	90183-06011-00	NUT, SPRING	2	
13	J55-K8143-00-00	HINGE, INTERMEDIATE BODY 1	2	
14	J55-K8144-00-00	HINGE, INTERMEDIATE BODY 2	2	
15	91790-06125-00	PIN, CLEVIS	2	
16	91490-20015-00	PIN, COTTER	2	
17	97003-06012-00	BOLT (97001-06012-00)	4	
18	92995-06100-00	WASHER, SPRING	4	
19	92990-06600-00	WASHER, PLATE	4	
20	97011-06020-00	BOLT	4	
21	92995-06100-00	WASHER, SPRING	4	
22	92990-06600-00	WASHER, PLATE	4	
23	J55-K8142-00-00	PANEL, REAR BODY	1	
24	98902-06025-00	SCREW, BIND	3	
25	90201-06M08-00	WASHER, PLATE	3	
26	98580-06020-00	SCREW	2	
27	92995-06100-00	WASHER, SPRING	2	

CONTENTS

ACCELERATOR	B1
BODY JE2 & J41-016101 ~	B11-12,C1
BODY 2 JE2 & J41-016101 ~	C2-3
BODY FITTING	C4-5
BODY ~ J41-016100	B7-10
BRAKE 1	A8-10
BRAKE 2	A11
BRAKE 3	A12
BUMPER	B5-6
CARRIER	C6-7
CONTROLLER 1	C11-12
CONTROLLER 2	D1-2
ELECTRICAL 1	D3-5
FRAME	A3
FRONT SUSPENSION WHEEL	A4-5
REAR AXLE WHEEL	B4
REAR SHOCKS	A2
SEAT	C8
STARTING MOTOR	C9-10
STEERING	A6-7
TECHNICAL BULLETINS	ROW K
TRANSMISSION 1	B2-3
~MODELS IN THIS CATALOG	D6

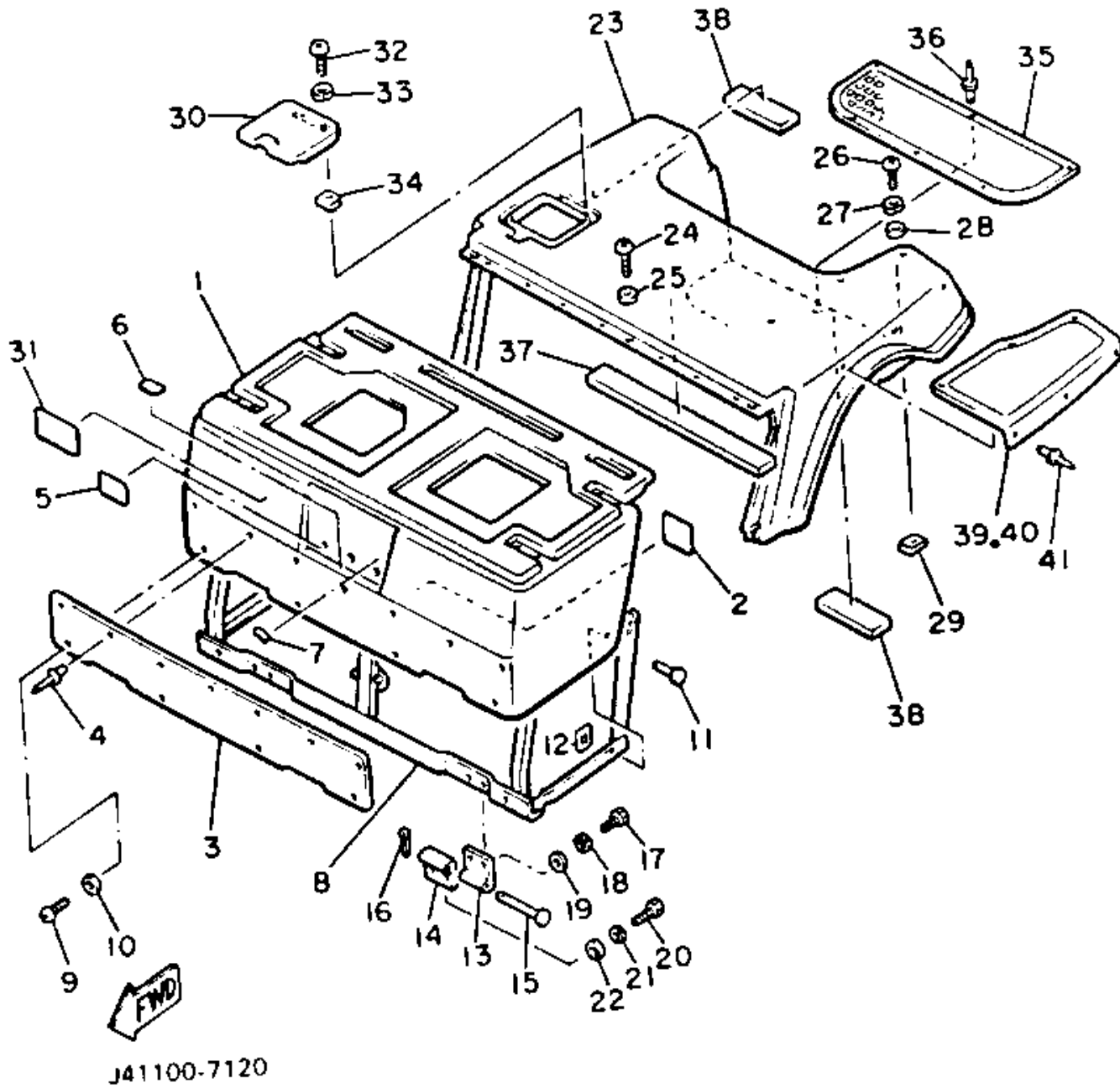
CONTINUED ON NEXT FRAME >

BODY 2 JE2 & J41-016101 ~

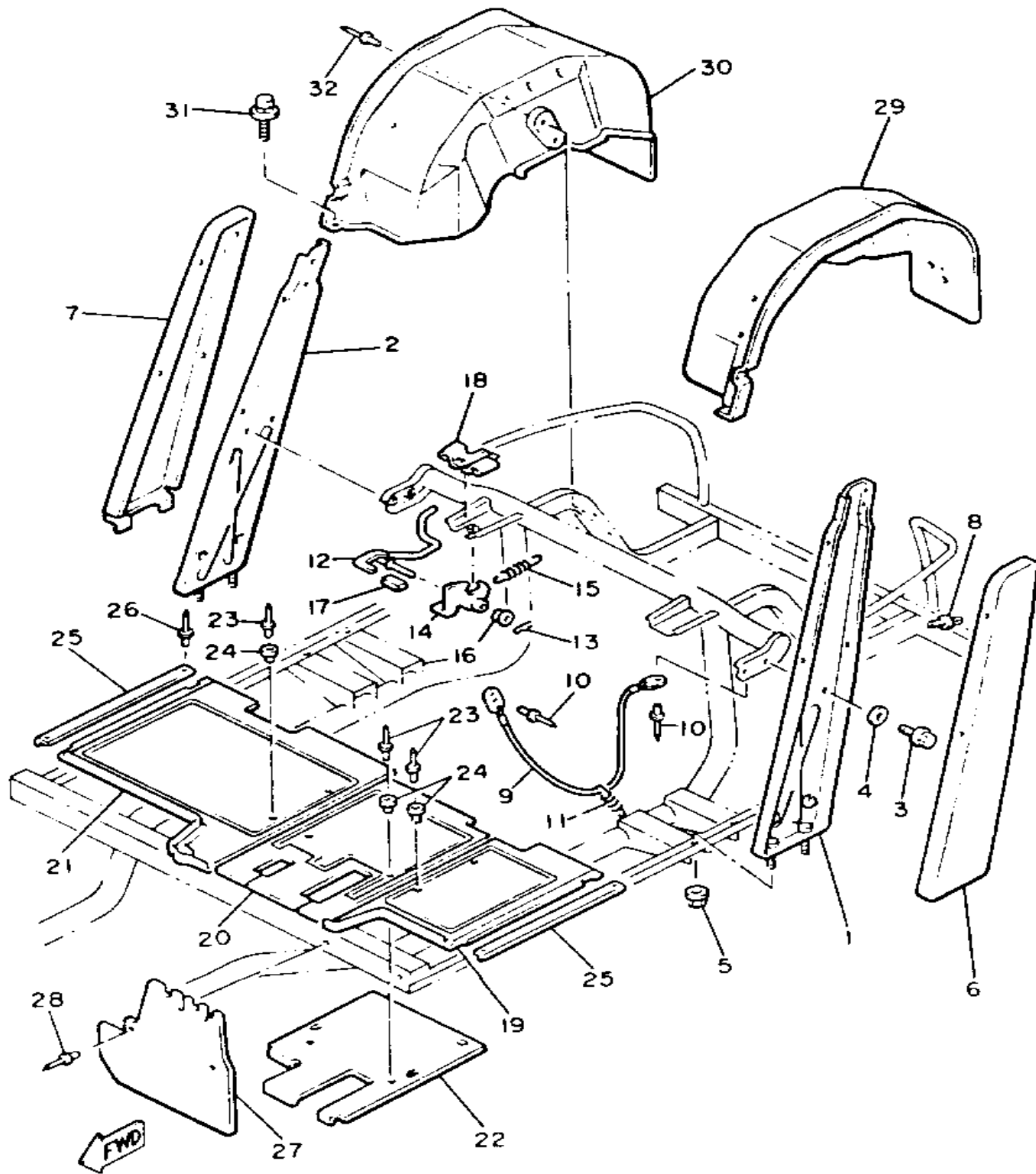
Ref. No.	Part Number	Description	Qty	Remarks
28	90201-065F3-00	WASHER, PLATE	2	
29	90183-06028-00	NUT, SPRING	2	
30	J55-K8272-00-00	COVER, FUEL INLET	1	
31	J51-77764-00-00	LABEL, WARNING 4	1	
32	98511-04012-00	SCREW, PAN HEAD	2	
33	92901-04100-00	WASHER, SPRING	2	
34	J38-78276-00-00	NUT, INLET FITTING	2	
35	J55-K8241-00-00	MAT, REAR FLOOR (J38-78241-00-00)	1	
36	90267-63047-00	RIVET, BLIND	6	
37	J38-7821A-00-00	PAD, BODY MOUNTING 1	1	
38	J38-7821E-00-00	PAD, BODY MOUNTING 2	2	
39	J55-K8243-00-00	MAT, REAR BODY SIDE (LH)	1	
40	J55-K8244-00-00	MAT, REAR BODY SIDE (RH)	1	
41	90267-63047-00	RIVET, BLIND	12	

CONTENTS

ACCELERATOR	B1
BODY JE2 & J41-016101 ~	B11-12,C1
BODY 2 JE2 & J41-016101 ~	C2-3
BODY FITTING	C4-5
BODY ~ J41-016100	B7-10
BRAKE 1	A8-10
BRAKE 2	A11
BRAKE 3	A12
BUMPER	B5-6
CARRIER	C6-7
CONTROLLER 1	C11-12
CONTROLLER 2	D1-2
ELECTRICAL 1	D3-5
FRAME	A3
FRONT SUSPENSION WHEEL	A4-5
REAR AXLE WHEEL	B4
REAR SHOCKS	A2
SEAT	C8
STARTING MOTOR	C9-10
STEERING	A6-7
TECHNICAL BULLETINS	ROW K
TRANSMISSION 1	B2-3
~MODELS IN THIS CATALOG	D6



BODY FITTING



Ref. No.	Part Number	Description	Qty	Remarks
1	J55-K813A-00-00	PILLAR, SIDE (L.H) (J38-7813A-01-00)	1	
2	J55-K813E-00-00	PILLAR, SIDE (R.H.) (J38-7813E-01-00)	1	
3	95811-08016-00	BOLT, FLANGE	4	
4	90201-08730-00	WASHER, PLATE	4	
5	95701-06500-00	NUT, FLANGE	4	
6	J55-K813F-00-00	COVER, SIDE PILLAR (L.H)	1	
7	J55-K813G-00-00	COVER, SIDE PILLAR (R.H)	1	
8	90267-63134-00	RIVET, BLIND	8	
9	J38-78229-00-00	WIRE, SEAT STOPPER	1	
10	90267-40087-00	RIVET, BLIND	2	
11	90507-08037-00	SPRING, TENSION	1	
12	J38-7814G-01-00	LEVER, BODY LOCK	1	
13	90468-18008-00	CLIP	1	
14	J38-7814H-01-00	HOOK, BODY LOCK	1	
15	90506-18374-00	SPRING, TENSION	1	
16	J38-7814L-01-00	BUSH, LEVER END	2	
17	J38-7815H-00-00	DAMPER, LOCK	1	
18	J38-78221-00-00	SHEET, BODY MOUNTING 1	2	
19	J38-78203-00-00	FLOOR MAT COMP. 3	1	
20	J55-K8234-00-00	MAT, MAIN FLOOR 4	1	
21	J38-78205-00-00	FLOOR MAT COMP. 5	1	
22	J55-K8271-00-00	SERVICE LID, PEDAL	1	
23	90267-48086-00	RIVET, BLIND	6	
24	90387-081R2-00	COLLAR	6	
25	J38-78215-00-00	PLATE, SIDE TRIM	2	
26	90267-40115-00	RIVET, BLIND	4	
27	J55-K8187-00-00	FLAP, FRONT FENDER (J38-78187-01-00)	2	
28	90267-48101-00	RIVET, BLIND	4	

CONTENTS

ACCELERATOR	B1
BODY JE2 & J41-016101 ~	B11-12,C1
BODY 2 JE2 & J41-016101 ~	C2-3
BODY FITTING	C4-5
BODY ~ J41-016100	B7-10
BRAKE 1	A8-10
BRAKE 2	A11
BRAKE 3	A12
BUMPER	B5-6
CARRIER	C6-7
CONTROLLER 1	C11-12
CONTROLLER 2	D1-2
ELECTRICAL 1	D3-5
FRAME	A3
FRONT SUSPENSION WHEEL	A4-5
REAR AXLE WHEEL	B4
REAR SHOCKS	A2
SEAT	C8
STARTING MOTOR	C9-10
STEERING	A6-7
TECHNICAL BULLETINS	ROW K
TRANSMISSION 1	B2-3
~MODELS IN THIS CATALOG	D6

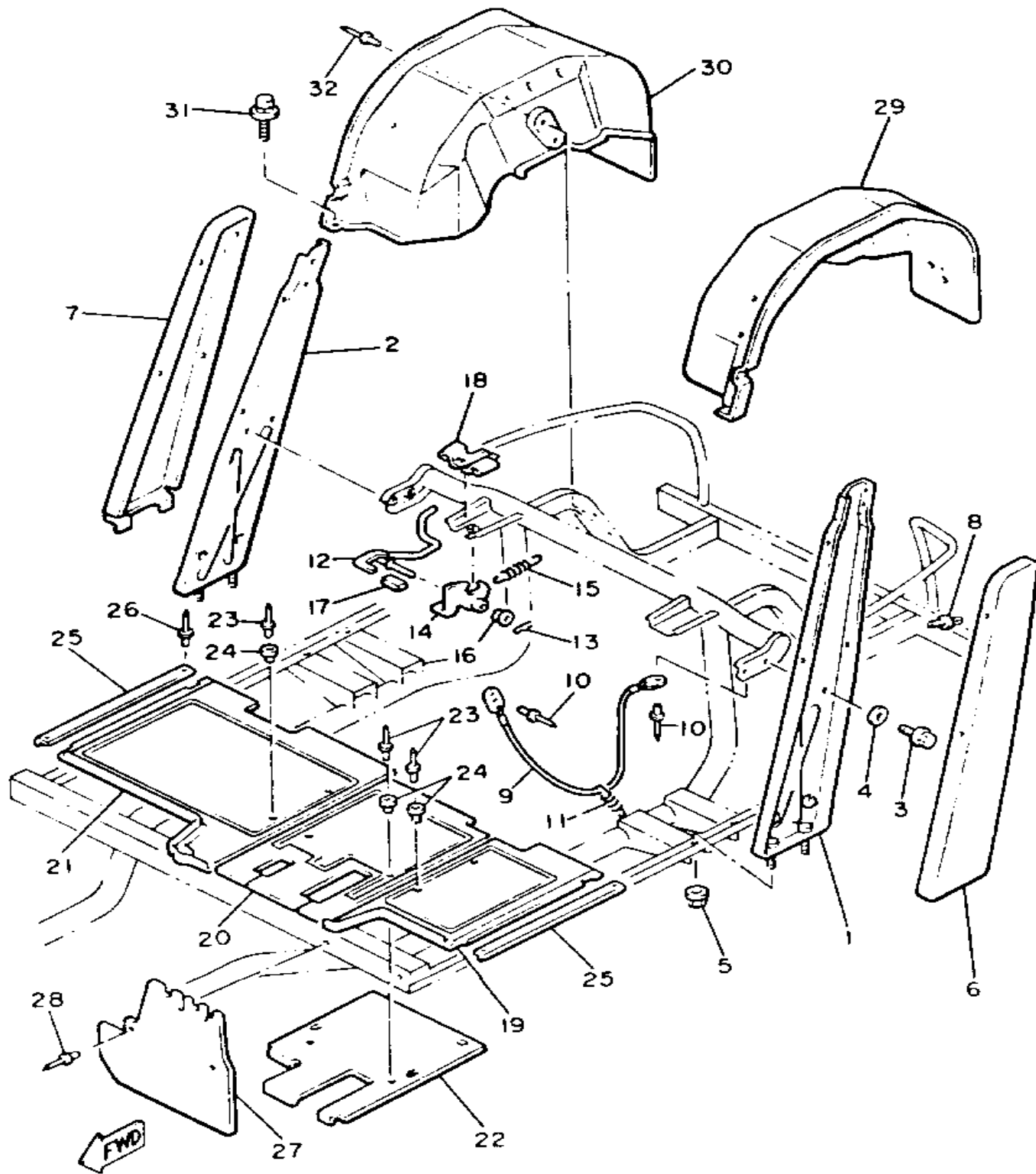
CONTINUED ON NEXT FRAME ►

BODY FITTING

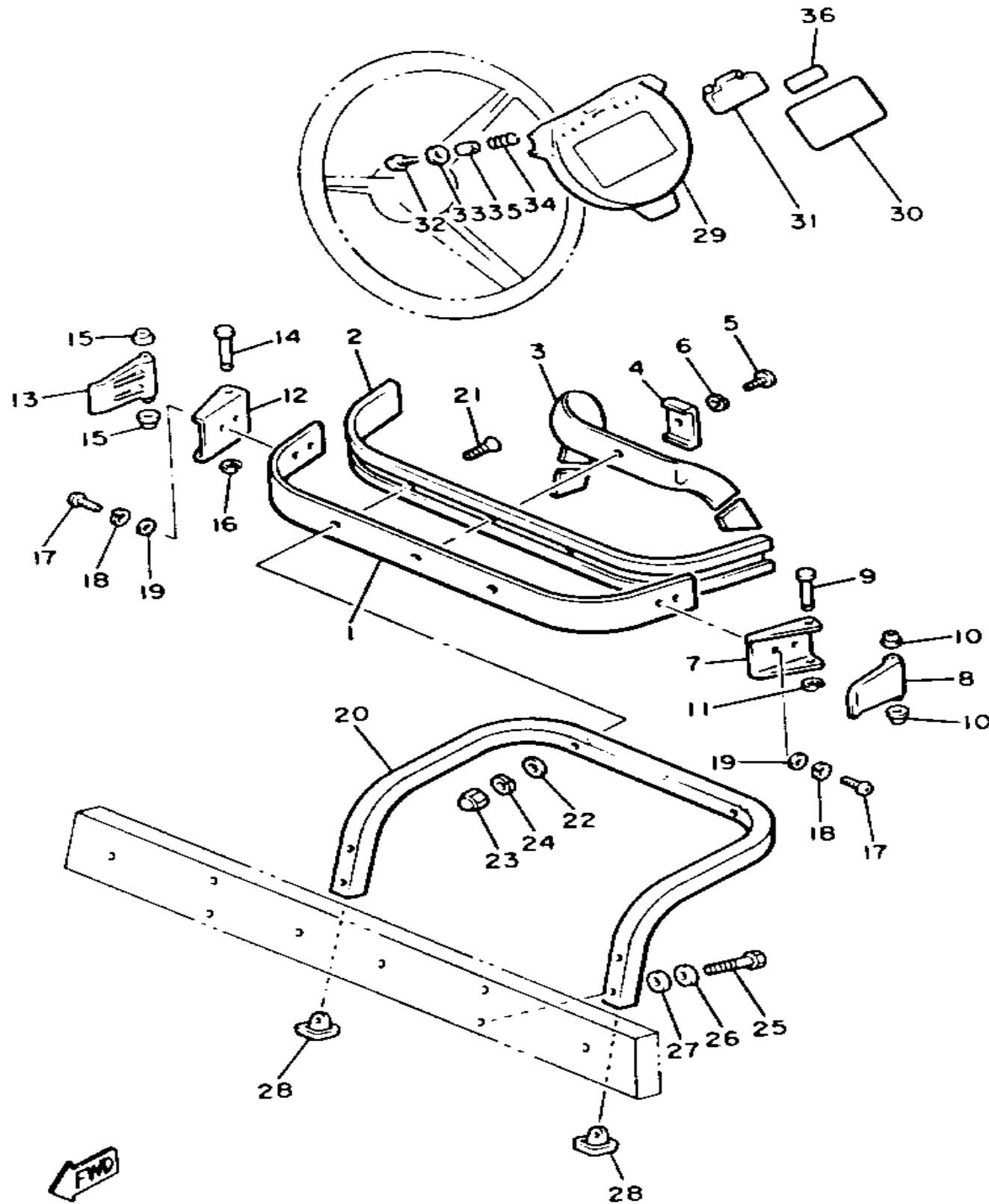
Ref. No.	Part Number	Description	Qty	Remarks
29	J56-K8191-00-00	PANEL, REAR FENDER 1 (J41-78191-01-00)	1	
30	J55-K8192-00-00	PANEL, REAR FENDER 2	1	
31	90119-06108-00	BOLT, WITH WASHER	2	
32	90267-48101-00	RIVET, BLIND	6	

CONTENTS

ACCELERATOR	B1
BODY JE2 & J41-016101 ~	B11-12,C1
BODY 2 JE2 & J41-016101 ~	C2-3
BODY FITTING	C4-5
BODY ~ J41-016100	B7-10
BRAKE 1	A8-10
BRAKE 2	A11
BRAKE 3	A12
BUMPER	B5-6
CARRIER	C6-7
CONTROLLER 1	C11-12
CONTROLLER 2	D1-2
ELECTRICAL 1	D3-5
FRAME	A3
FRONT SUSPENSION WHEEL	A4-5
REAR AXLE WHEEL	B4
REAR SHOCKS	A2
SEAT	C8
STARTING MOTOR	C9-10
STEERING	A6-7
TECHNICAL BULLETINS	ROW K
TRANSMISSION 1	B2-3
~MODELS IN THIS CATALOG	D6



CARRIER



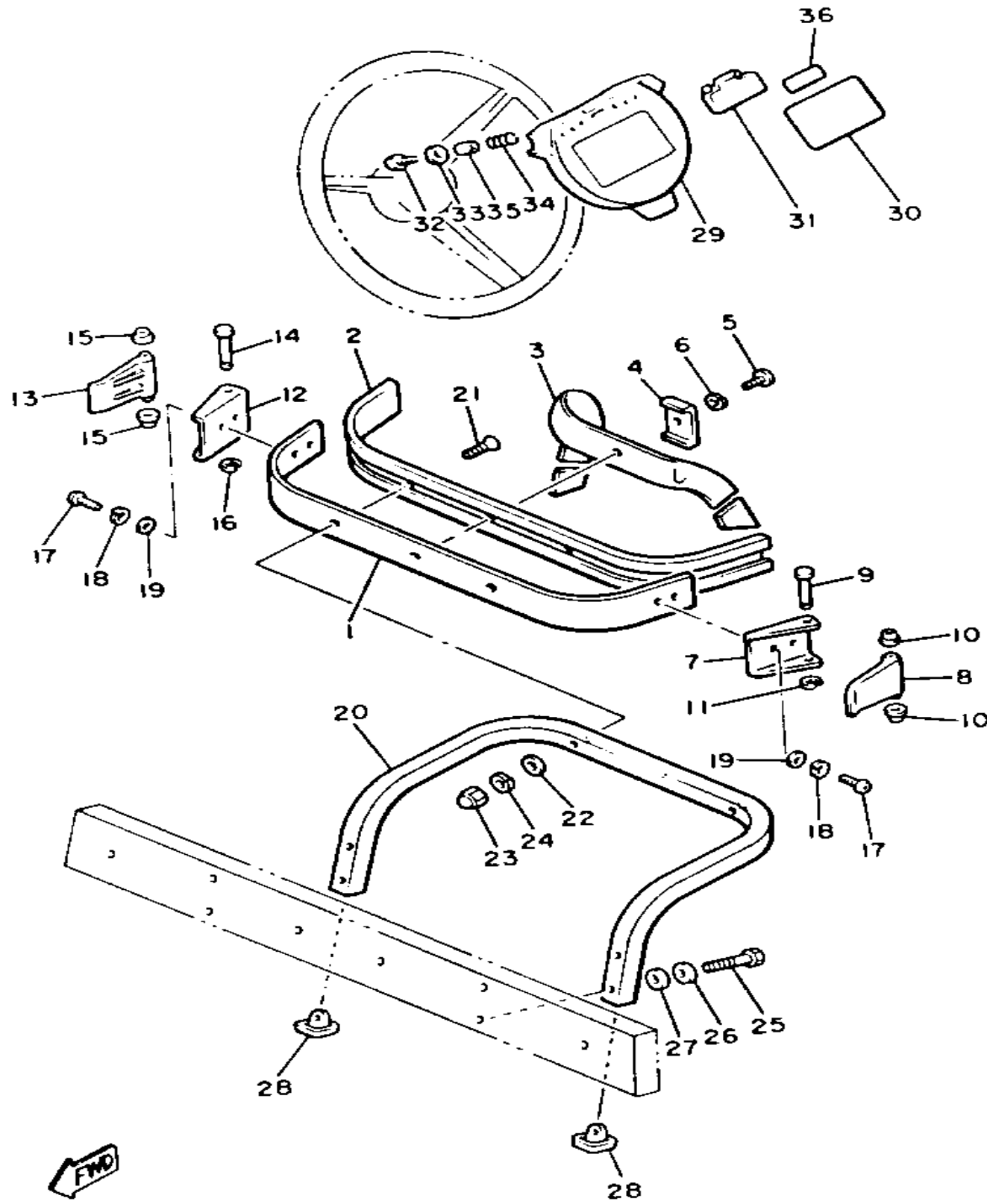
Ref. No.	Part Number	Description	Qty	Remarks
1	J55-K8351-00-00	SUPPORT, BAG UPPER (J38-78351-00)	1	
2	J38-78356-00-00	PAD, BAG SUPPORT	1	
3	J38-78355-00-00	BAND	1	
4	J38-78367-00-00	PLATE, ANCHOR	1	
5	98980-06016-00	SCREW, BINDING	1	
6	92995-06100-00	WASHER, SPRING	1	
7	J17-78157-01-00	BASE, LOCK	1	
8	J17-78368-01-00	LEVER, LOCK	1	
9	J17-78369-00-00	PIN, LEVER	1	
10	90386-06108-00	BUSH	2	
11	99080-05600-00	CIRCLIP	1	
12	J17-78157-01-00	BASE, LOCK	1	
13	J17-78368-01-00	LEVER, LOCK	1	
14	J17-78369-00-00	PIN, LEVER	1	
15	90386-06108-00	BUSH	2	
16	99080-05600-00	CIRCLIP	1	
17	98580-06010-00	SCREW, PAN HEAD (92503-06010-00)	4	
18	92995-06100-00	WASHER, SPRING	4	
19	92990-06200-00	WASHER	4	
20	J55-K8352-00-00	SUPPORT, BAG LOWER 1 (J38-78352-01-00)	1	
21	98701-08040-00	SCREW, FLAT HEAD (92701-08040)	2	
22	90202-08022-00	WASHER, PLATE	2	
23	95380-08800-00	NUT, CROWN	2	
24	92990-08100-00	WASHER	2	
25	90101-08649-00	BOLT	4	
26	90202-08022-00	WASHER, PLATE	4	
27	90202-08171-00	WASHER, PLATE	6	

CONTENTS

ACCELERATOR	B1
BODY JE2 & J41-016101 ~	B11-12,C1
BODY 2 JE2 & J41-016101 ~	C2-3
BODY FITTING	C4-5
BODY ~ J41-016100	B7-10
BRAKE 1	A8-10
BRAKE 2	A11
BRAKE 3	A12
BUMPER	B5-6
CARRIER	C6-7
CONTROLLER 1	C11-12
CONTROLLER 2	D1-2
ELECTRICAL 1	D3-5
FRAME	A3
FRONT SUSPENSION WHEEL	A4-5
REAR AXLE WHEEL	B4
REAR SHOCKS	A2
SEAT	C8
STARTING MOTOR	C9-10
STEERING	A6-7
TECHNICAL BULLETINS	ROW K
TRANSMISSION 1	B2-3
~MODELS IN THIS CATALOG	D6

CONTINUED ON NEXT FRAME >

CARRIER

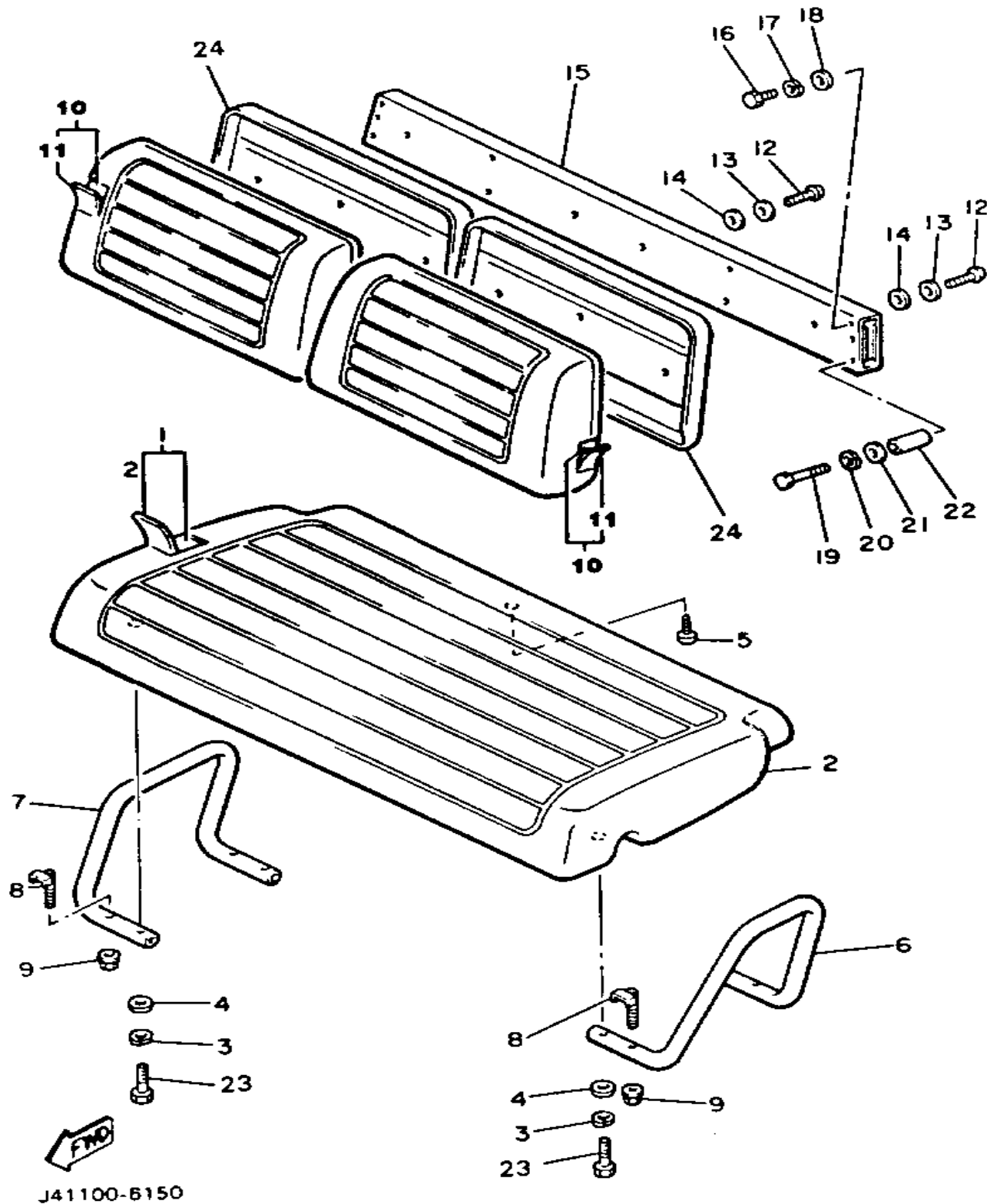


Ref. No.	Part Number	Description	Qty	Remarks
28	J38-7835H-00-00	CAP, BAG SUPPORT LOWER	2	
29	J55-K8357-00-00	HOLDER 1	1	
30	J55-77762-10-00	LABEL, WARNING 2 (J38-77762-01-00)	1	
31	J55-K8358-00-00	HOLDER 2	1	
32	97706-40525-00	SCREW, TAPPING	2	
33	90201-044H9-00	WASHER, PLAIN	2	
34	90502-10013-00	SPRING, CONICAL	2	
35	90387-046N7-00	COLLAR	2	
36	J51-77763-00-00	LABEL, WARNING 3	1	

CONTENTS

ACCELERATOR	B1
BODY JE2 & J41-016101 ~	B11-12,C1
BODY 2 JE2 & J41-016101 ~	C2-3
BODY FITTING	C4-5
BODY ~ J41-016100	B7-10
BRAKE 1	A8-10
BRAKE 2	A11
BRAKE 3	A12
BUMPER	B5-6
CARRIER	C6-7
CONTROLLER 1	C11-12
CONTROLLER 2	D1-2
ELECTRICAL 1	D3-5
FRAME	A3
FRONT SUSPENSION WHEEL	A4-5
REAR AXLE WHEEL	B4
REAR SHOCKS	A2
SEAT	C8
STARTING MOTOR	C9-10
STEERING	A6-7
TECHNICAL BULLETINS	ROW K
TRANSMISSION 1	B2-3
~MODELS IN THIS CATALOG	D6

SEAT



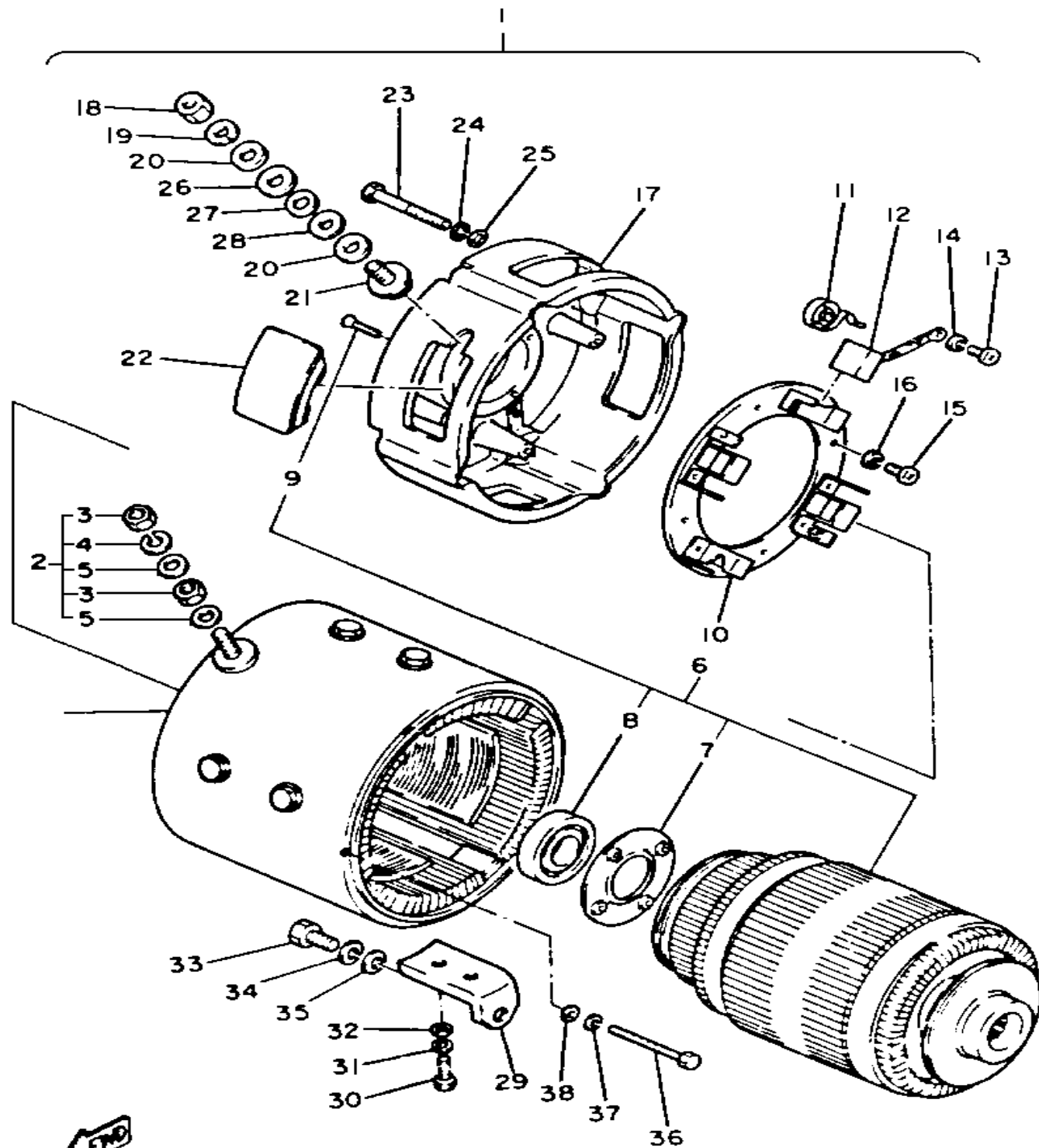
J41100-6150

Ref. No.	Part Number	Description	Qty	Remarks
1	J55-K8401-00-00	SEAT SUB ASS'Y CUSHION (J38-78401-02)	1	
2	J55-K8404-09-00	. SEAT COVER	1	
3	92990-08100-00	WASHER	4	
4	92990-08600-00	WASHER, PLATE	4	
5	97780-50116-00	SCREW, TAPPING (99780-50516)	1	
6	J38-78361-00-00	ARM REST 1	1	
7	J38-78362-00-00	ARM REST 2	1	
8	J38-78384-00-00	BOLT	4	
9	95601-08200-00	NUT, U	4	
10	J55-K8402-00-00	SEAT SUB ASSY, BACK (J38-78402-01-00)	2	
11	J55-K841G-09-00	. COVER, SEAT BACK 2	2	
12	98980-06045-00	SCREW, BIND	4	
13	90201-065F3-00	WASHER, PLATE	4	
14	90202-06170-00	WASHER, PLATE	4	
15	J55-K8423-09-00	SUPPORT, SEAT BACK (J55-K8423-00-00)	1	
16	97022-08016-00	BOLT	2	
17	92990-08100-00	WASHER	2	
18	92990-08600-00	WASHER, PLATE	2	
19	97013-08075-00	BOLT	2	
20	92990-08100-00	WASHER	2	
21	92990-08600-00	WASHER, PLATE	2	
22	90387-103G9-00	COLLAR	2	
23	97021-08065-00	BOLT	4	
24	J55-K8413-00-00	COVER, SEAT BACK	2	

CONTENTS

ACCELERATOR	B1
BODY JE2 & J41-016101 ~	B11-12,C1
BODY 2 JE2 & J41-016101 ~	C2-3
BODY FITTING	C4-5
BODY ~ J41-016100	B7-10
BRAKE 1	A8-10
BRAKE 2	A11
BRAKE 3	A12
BUMPER	B5-6
CARRIER	C6-7
CONTROLLER 1	C11-12
CONTROLLER 2	D1-2
ELECTRICAL 1	D3-5
FRAME	A3
FRONT SUSPENSION WHEEL	A4-5
REAR AXLE WHEEL	B4
REAR SHOCKS	A2
SEAT	C8
STARTING MOTOR	C9-10
STEERING	A6-7
TECHNICAL BULLETINS	ROW K
TRANSMISSION 1	B2-3
~MODELS IN THIS CATALOG	D6

STARTING MOTOR



J36100-4150

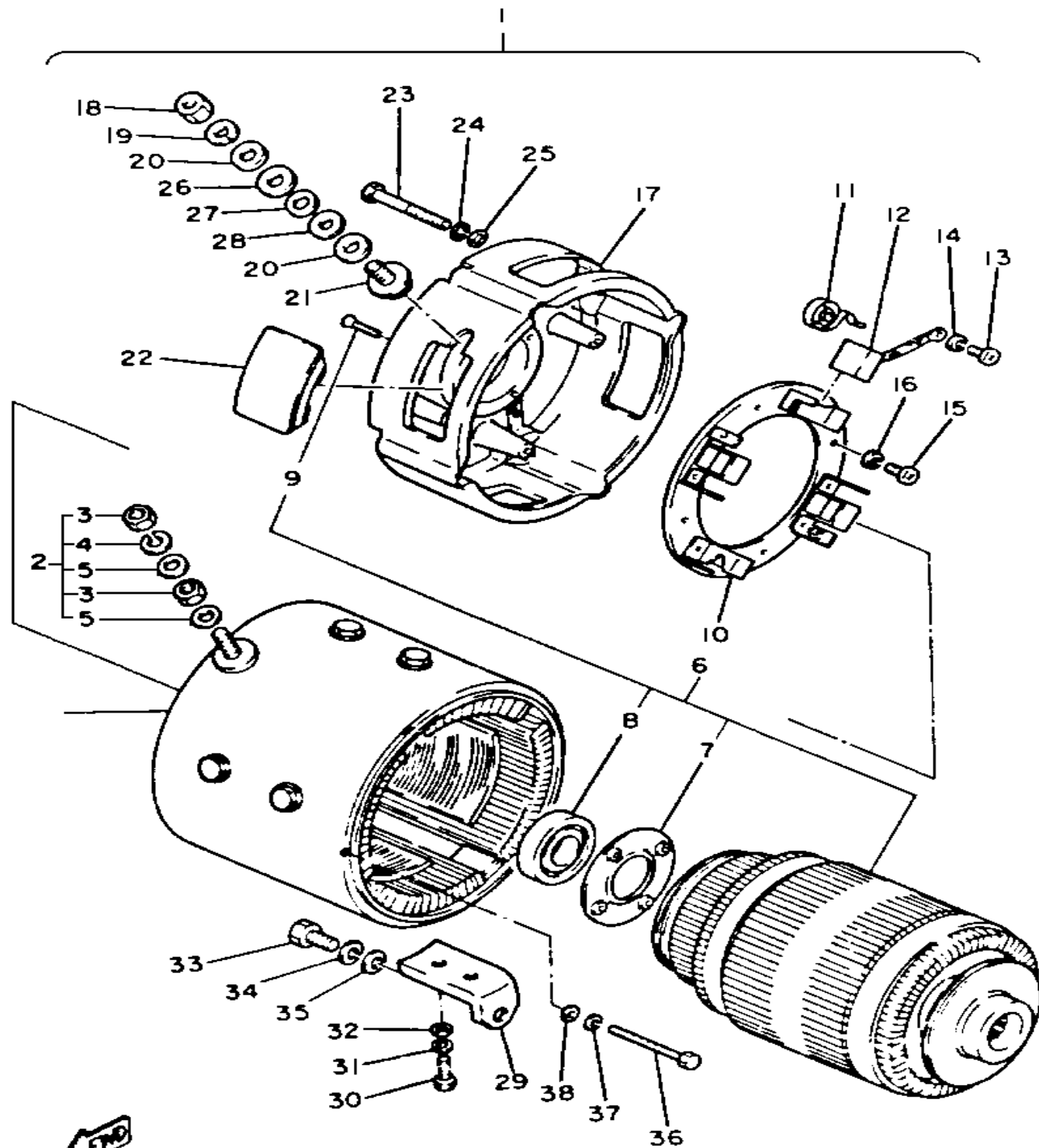
Ref. No.	Part Number	Description	Qty	Remarks
1	JG6-H1890-00-00	MOTOR ASSEMBLY	1	
2	J14-81810-10-00	. STATOR ASS"Y	1	
3	95303-08600-00	.. NUT	4	
4	92990-08100-00	.. WASHER	2	
5	92990-08200-00	.. WASHER, PLAIN	4	
6	J14-81850-10-00	. ARMATURE ASS"Y	1	
7	J14-81856-10-00	.. RETAINER	1	
8	J14-81857-10-00	.. BEARING	1	
9	98701-05020-00	.. SCREW, FLAT HEAD	4	
10	J14-81840-10-00	. BRUSH HOLDER ASS"Y	1	
11	J14-81813-10-00	. SPRING, BRUSH	4	
12	J14-81811-10-00	. BRUSH 1	4	
13	98501-05010-00	. SCREW, PAN HEAD	4	
14	92990-05100-00	. WASHER, SPRING	4	
15	98580-05016-00	. SCREW, PAN HEAD	4	
16	92990-05100-00	. WASHER, SPRING	4	
17	J14-81822-10-00	. BRACKET, STARTING MOTOR	1	
18	95303-08600-00	. NUT	2	
19	92990-08100-00	. WASHER	2	
20	92990-08200-00	. WASHER, PLAIN	2	
21	J14-81826-10-00	. BOLT	2	
22	J14-81842-10-00	. COVER	4	
23	J14-81828-10-00	. BOLT 2	4	
24	92995-06100-00	. WASHER, SPRING	4	
25	92990-06600-00	. WASHER, PLATE	4	
26	J14-81843-00-00	. WASHER 1	2	
27	J14-81845-00-00	. PLATE	2	
28	J14-81824-00-00	. WASHER 2	2	
29	J14-81823-01-00	STAY, STARTING MOTOR (J14-81823-00-00)	1	

CONTENTS

ACCELERATOR	B1
BODY JE2 & J41-016101 ~	B11-12,C1
BODY 2 JE2 & J41-016101 ~	C2-3
BODY FITTING	C4-5
BODY ~ J41-016100	B7-10
BRAKE 1	A8-10
BRAKE 2	A11
BRAKE 3	A12
BUMPER	B5-6
CARRIER	C6-7
CONTROLLER 1	C11-12
CONTROLLER 2	D1-2
ELECTRICAL 1	D3-5
FRAME	A3
FRONT SUSPENSION WHEEL	A4-5
REAR AXLE WHEEL	B4
REAR SHOCKS	A2
SEAT	C8
STARTING MOTOR	C9-10
STEERING	A6-7
TECHNICAL BULLETINS	ROW K
TRANSMISSION 1	B2-3
~MODELS IN THIS CATALOG	D6

CONTINUED ON NEXT FRAME >

STARTING MOTOR



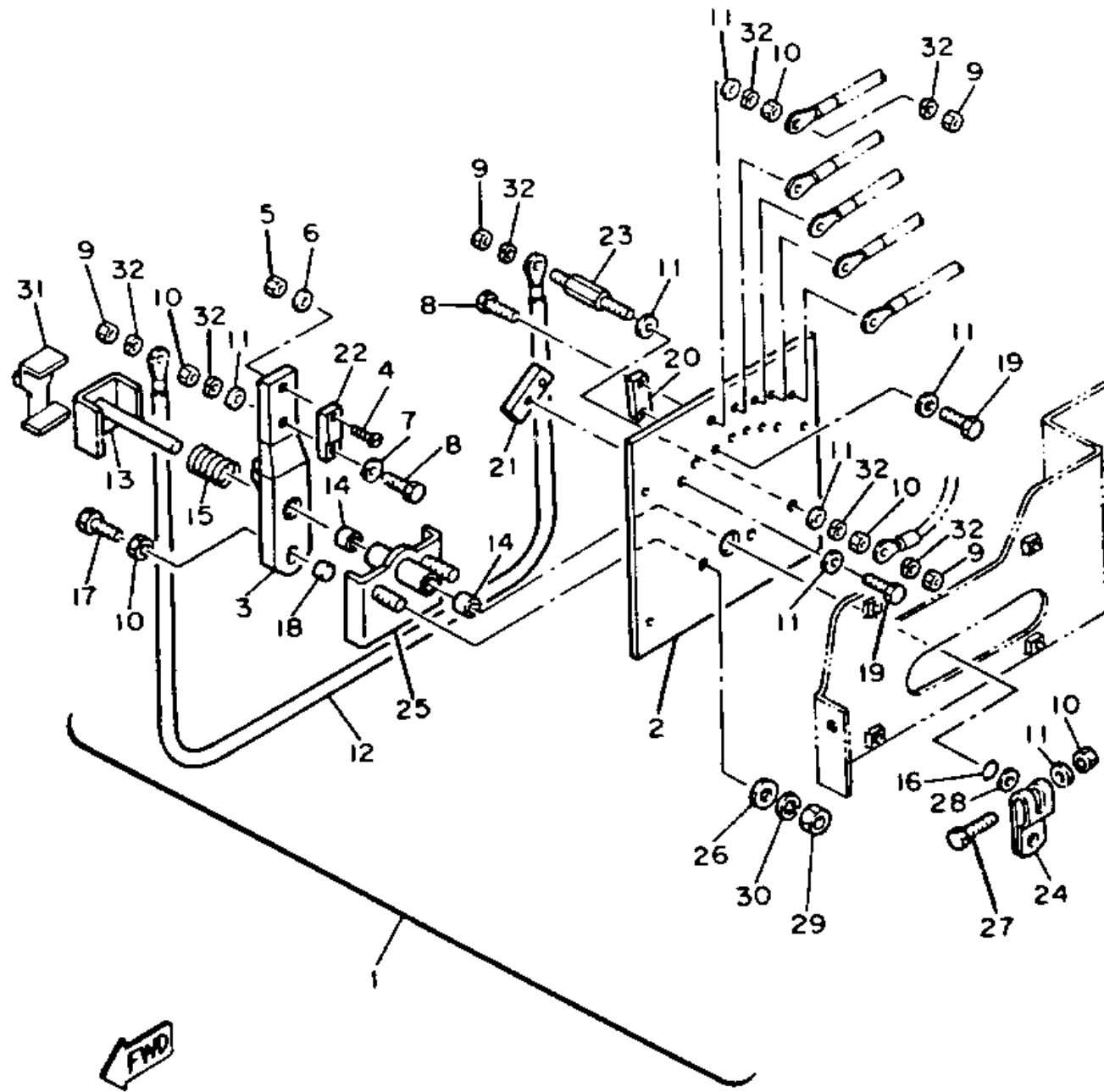
J36100-4150

Ref. No.	Part Number	Description	Qty	Remarks
30	97011-06016-00	BOLT	2	
31	92995-06100-00	WASHER, SPRING	2	
32	92990-06600-00	WASHER, PLATE	2	
33	97022-08016-00	BOLT	1	
34	92990-08100-00	WASHER	1	
35	92990-08600-00	WASHER, PLATE	1	
36	97313-06055-00	BOLT, HEXAGON (97322-06055-00)	3	
37	92995-06100-00	WASHER, SPRING	3	
38	90201-06643-00	WASHER, PLATE	3	

CONTENTS

ACCELERATOR	B1
BODY JE2 & J41-016101 ~	B11-12,C1
BODY 2 JE2 & J41-016101 ~	C2-3
BODY FITTING	C4-5
BODY ~ J41-016100	B7-10
BRAKE 1	A8-10
BRAKE 2	A11
BRAKE 3	A12
BUMPER	B5-6
CARRIER	C6-7
CONTROLLER 1	C11-12
CONTROLLER 2	D1-2
ELECTRICAL 1	D3-5
FRAME	A3
FRONT SUSPENSION WHEEL	A4-5
REAR AXLE WHEEL	B4
REAR SHOCKS	A2
SEAT	C8
STARTING MOTOR	C9-10
STEERING	A6-7
TECHNICAL BULLETINS	ROW K
TRANSMISSION 1	B2-3
~MODELS IN THIS CATALOG	D6

CONTROLLER 1



J41100-8170

Ref. No.	Part Number	Description	Qty	Remarks
1	J46-86140-00-00	CONTROLLER ASSY (J22-86140-00-00)	1	
2	J46-86142-00-00	. BASE, PLATE	1	
3	J22-86152-00-00	. ARM, MOVING	1	
4	98701-04016-00	. SCREW, FLAT HEAD (98702-04016-00)	1	
5	95301-04600-00	. NUT	1	
6	92902-04300-00	. WASHER, IN. TOOTH	1	
7	90201-063F3-00	. WASHER, PLATE	1	
8	90101-06469-00	. BOLT	7	
9	95320-06600-00	. NUT	8	
10	95380-06700-00	. NUT	9	
11	92995-06100-00	. WASHER, SPRING	16	
12	J22-86157-00-00	. WIRE, LEAD	1	
13	J14-86155-01-00	. SHAFT, CONTROLLER	1	
14	90380-10010-00	. BUSH, SOLID	2	
15	90501-16573-00	. SPRING, COMPRESSION	1	
16	93210-10166-00	. O-RING	1	
17	97023-06020-00	. BOLT (3XF)	1	
18	90386-05111-00	. BUSH, SPECIAL NYLON	1	
19	97003-06012-00	. BOLT (97001-06012-00)	7	
20	J14-86162-00-00	. CONTACT, STATE	5	
21	J14-82103-00-00	. TERMINAL 1	1	
22	J14-86153-00-00	. CONTACT, MOVING	1	
23	J22-82104-00-00	. TERMINAL 2	1	
24	J14-86144-01-00	. LEVER, CONTROLLER	1	
25	J14-86156-00-00	. HOLDER, SHAFT	1	
26	92990-06600-00	. WASHER, PLATE	2	
27	97021-06030-00	. BOLT	1	
28	92990-10200-00	. WASHER, PLAIN	1	
29	95303-08600-00	. NUT	2	

CONTENTS

ACCELERATOR	B1
BODY JE2 & J41-016101 ~	B11-12,C1
BODY 2 JE2 & J41-016101 ~	C2-3
BODY FITTING	C4-5
BODY ~ J41-016100	B7-10
BRAKE 1	A8-10
BRAKE 2	A11
BRAKE 3	A12
BUMPER	B5-6
CARRIER	C6-7
CONTROLLER 1	C11-12
CONTROLLER 2	D1-2
ELECTRICAL 1	D3-5
FRAME	A3
FRONT SUSPENSION WHEEL	A4-5
REAR AXLE WHEEL	B4
REAR SHOCKS	A2
SEAT	C8
STARTING MOTOR	C9-10
STEERING	A6-7
TECHNICAL BULLETINS	ROW K
TRANSMISSION 1	B2-3
~MODELS IN THIS CATALOG	D6

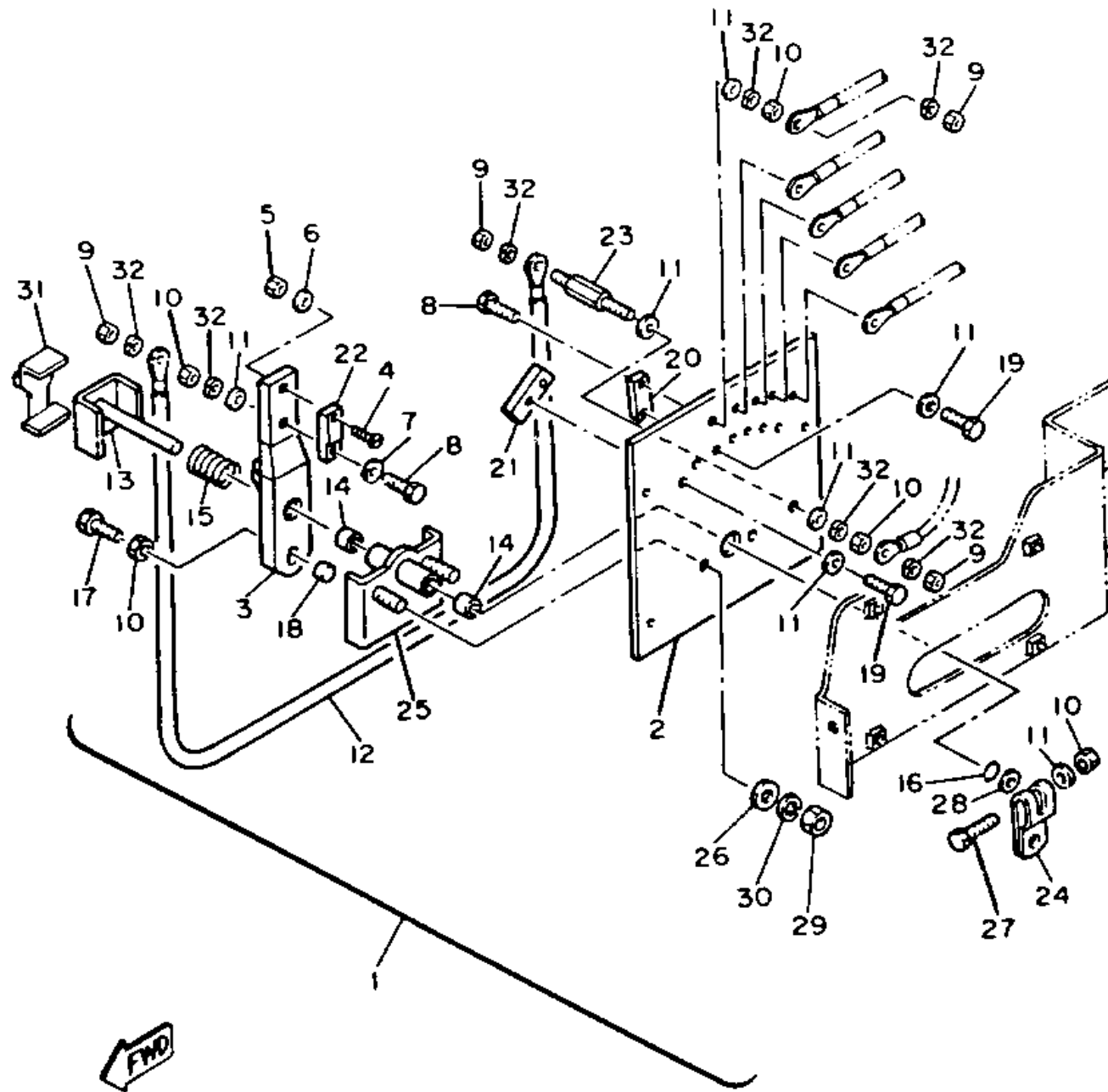
CONTINUED ON NEXT FRAME >

CONTROLLER 1

Ref. No.	Part Number	Description	Qty	Remarks
30	92990-08100-00	. WASHER	2	
31	J22-86158-00-00	. SPRING, COMPRESSION	1	
32	92995-06100-00	. WASHER, SPRING	15	

CONTENTS

ACCELERATOR	B1
BODY JE2 & J41-016101 ~	B11-12,C1
BODY 2 JE2 & J41-016101 ~	C2-3
BODY FITTING	C4-5
BODY ~ J41-016100	B7-10
BRAKE 1	A8-10
BRAKE 2	A11
BRAKE 3	A12
BUMPER	B5-6
CARRIER	C6-7
CONTROLLER 1	C11-12
CONTROLLER 2	D1-2
ELECTRICAL 1	D3-5
FRAME	A3
FRONT SUSPENSION WHEEL	A4-5
REAR AXLE WHEEL	B4
REAR SHOCKS	A2
SEAT	C8
STARTING MOTOR	C9-10
STEERING	A6-7
TECHNICAL BULLETINS	ROW K
TRANSMISSION 1	B2-3
~MODELS IN THIS CATALOG	D6



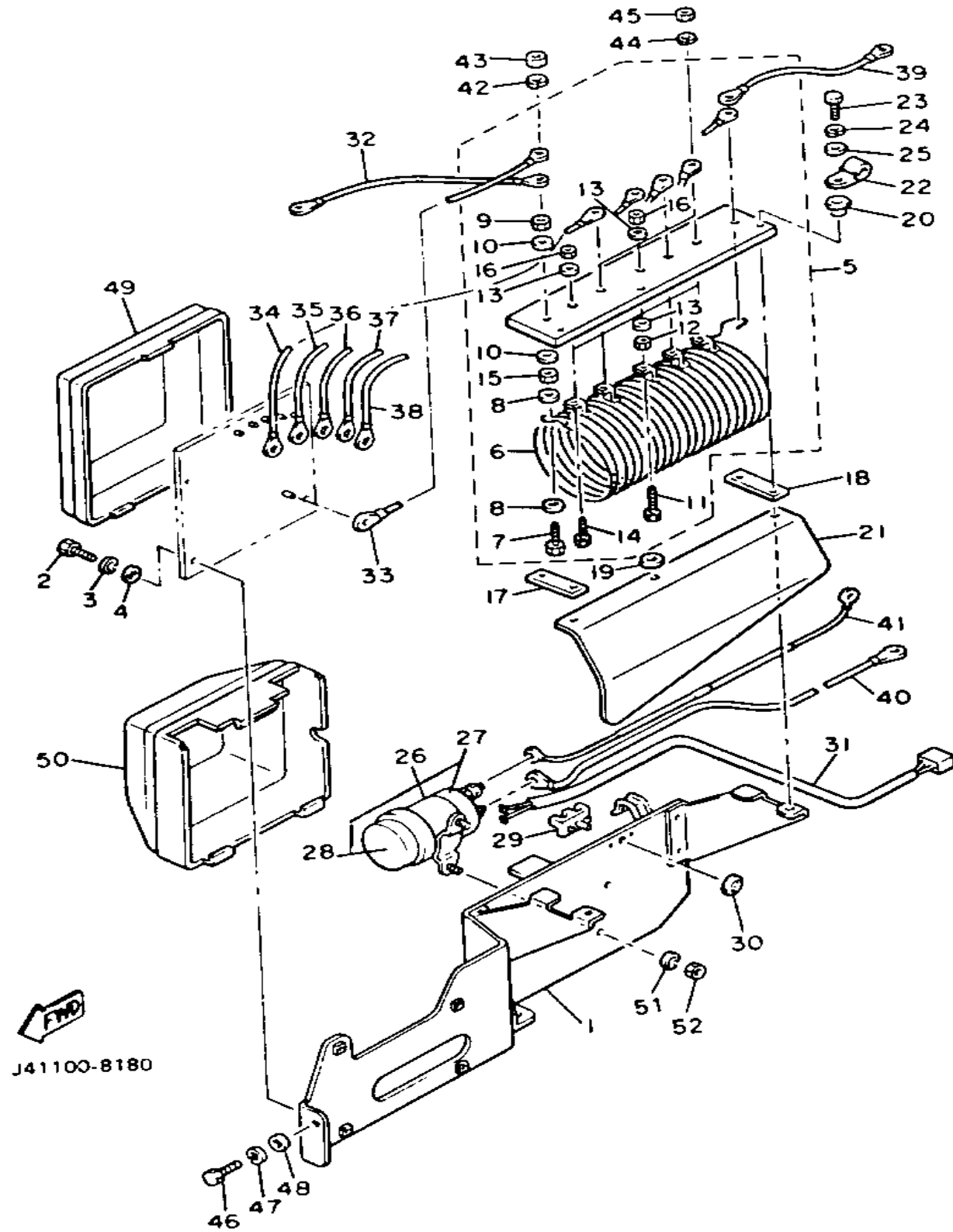
J41100-8170

CONTROLLER 2

Ref. No.	Part Number	Description	Qty	Remarks
1	J41-86141-00-00	PLATE, CONTROLLER	1	
2	97313-06016-00	BOLT, HEXAGON	4	
3	92995-06100-00	WASHER, SPRING	4	
4	92990-06600-00	WASHER, PLATE	4	
5	J51-85370-00-00	RESISTOR	1	
6	J51-85370-00-00	. RESISTOR	1	
7	90101-08470-00	. BOLT	2	
8	90201-083F1-00	. WASHER, PLATE	4	
9	95303-08700-00	. NUT	2	
10	92990-08600-00	. WASHER, PLATE	4	
11	90101-06469-00	. BOLT	4	
12	95380-06700-00	. NUT	6	
13	92990-06600-00	. WASHER, PLATE	10	
14	97011-06025-00	. BOLT (97001-06025-00)	1	
15	95320-08700-00	. NUT	2	
16	95320-06600-00	. NUT	4	
17	J46-8257L-00-00	PLATE, INSULATOR	1	
18	J46-8250X-00-00	PLATE, INSULATOR	1	
19	J46-8253F-00-00	INSULATOR 2	1	
20	J46-8253E-00-00	INSULATOR 1	3	
21	J14-85379-00-00	COVER, RESISTOR	1	
22	90465-08028-00	CLAMP	1	
23	97011-06025-00	BOLT (97001-06025-00)	3	
24	92995-06100-00	WASHER, SPRING	3	
25	92990-06600-00	WASHER, PLATE	3	
26	J41-81950-00-00	RELAY ASSEMBLY	1	
27	J41-81920-09-00	. G2A/E SOLENOID REBUILD KIT	1	
28	J38-8195R-00-00	. RUBBER BOOT	1	
29	J22-86159-00-00	HOLDER, WIRE	1	

CONTENTS

ACCELERATOR	B1
BODY JE2 & J41-016101 ~	B11-12,C1
BODY 2 JE2 & J41-016101 ~	C2-3
BODY FITTING	C4-5
BODY ~ J41-016100	B7-10
BRAKE 1	A8-10
BRAKE 2	A11
BRAKE 3	A12
BUMPER	B5-6
CARRIER	C6-7
CONTROLLER 1	C11-12
CONTROLLER 2	D1-2
ELECTRICAL 1	D3-5
FRAME	A3
FRONT SUSPENSION WHEEL	A4-5
REAR AXLE WHEEL	B4
REAR SHOCKS	A2
SEAT	C8
STARTING MOTOR	C9-10
STEERING	A6-7
TECHNICAL BULLETINS	ROW K
TRANSMISSION 1	B2-3
~MODELS IN THIS CATALOG	D6



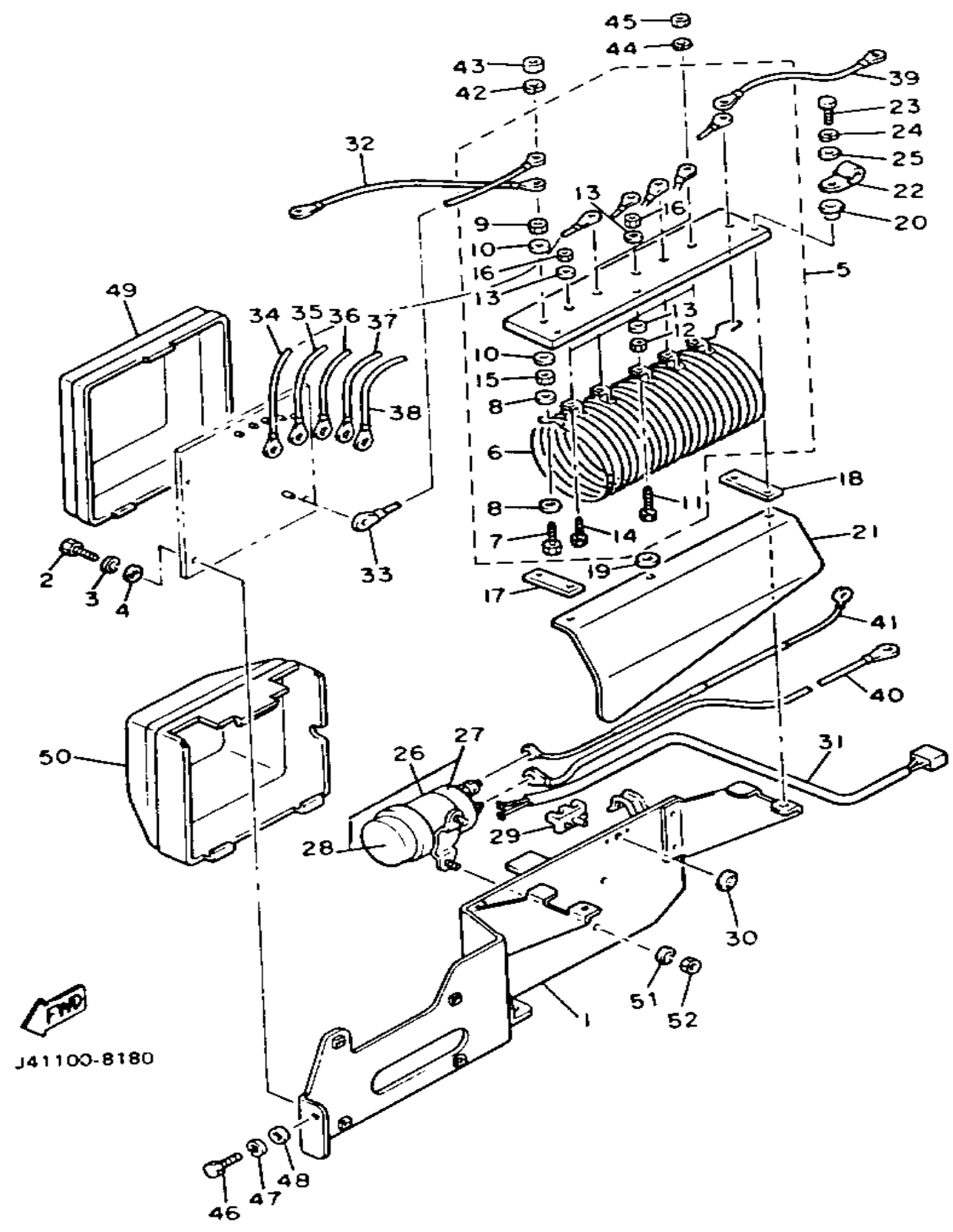
CONTINUED ON NEXT FRAME >

CONTROLLER 2

Ref. No.	Part Number	Description	Qty	Remarks
30	J22-86143-00-00	NUT, SPECIAL	1	
31	J41-86177-00-00	WIRE, LEAD 7	1	
32	J41-86176-00-00	WIRE, LEAD	1	
33	J14-82507-00-00	WIRE, LEAD	1	
34	J14-86175-00-00	WIRE, LEAD 5	1	
35	J14-86175-00-00	WIRE, LEAD 5	1	
36	J14-86175-00-00	WIRE, LEAD 5	1	
37	J14-86175-00-00	WIRE, LEAD 5	1	
38	J14-86175-00-00	WIRE, LEAD 5	1	
39	J56-H2117-00-00	WIRE, LEAD	1	
40	J56-H2117-00-00	WIRE, LEAD	1	
41	J14-82531-00-00	WIRE, LEAD	1	
42	92990-08100-00	WASHER	2	
43	95303-08700-00	NUT	2	
44	92995-06100-00	WASHER, SPRING	4	
45	95380-06700-00	NUT	4	
46	97022-08016-00	BOLT	2	
47	92990-08100-00	WASHER	2	
48	92990-08600-00	WASHER, PLATE	2	
49	J56-H6163-00-00	COVER, CONTROLLER	1	
50	J56-H1942-00-00	COVER (J22-81942-00-00)	1	
51	92990-08100-00	WASHER	2	
52	95303-08700-00	NUT	2	

CONTENTS

ACCELERATOR	B1
BODY JE2 & J41-016101 ~	B11-12,C1
BODY 2 JE2 & J41-016101 ~	C2-3
BODY FITTING	C4-5
BODY ~ J41-016100	B7-10
BRAKE 1	A8-10
BRAKE 2	A11
BRAKE 3	A12
BUMPER	B5-6
CARRIER	C6-7
CONTROLLER 1	C11-12
CONTROLLER 2	D1-2
ELECTRICAL 1	D3-5
FRAME	A3
FRONT SUSPENSION WHEEL	A4-5
REAR AXLE WHEEL	B4
REAR SHOCKS	A2
SEAT	C8
STARTING MOTOR	C9-10
STEERING	A6-7
TECHNICAL BULLETINS	ROW K
TRANSMISSION 1	B2-3
~MODELS IN THIS CATALOG	D6



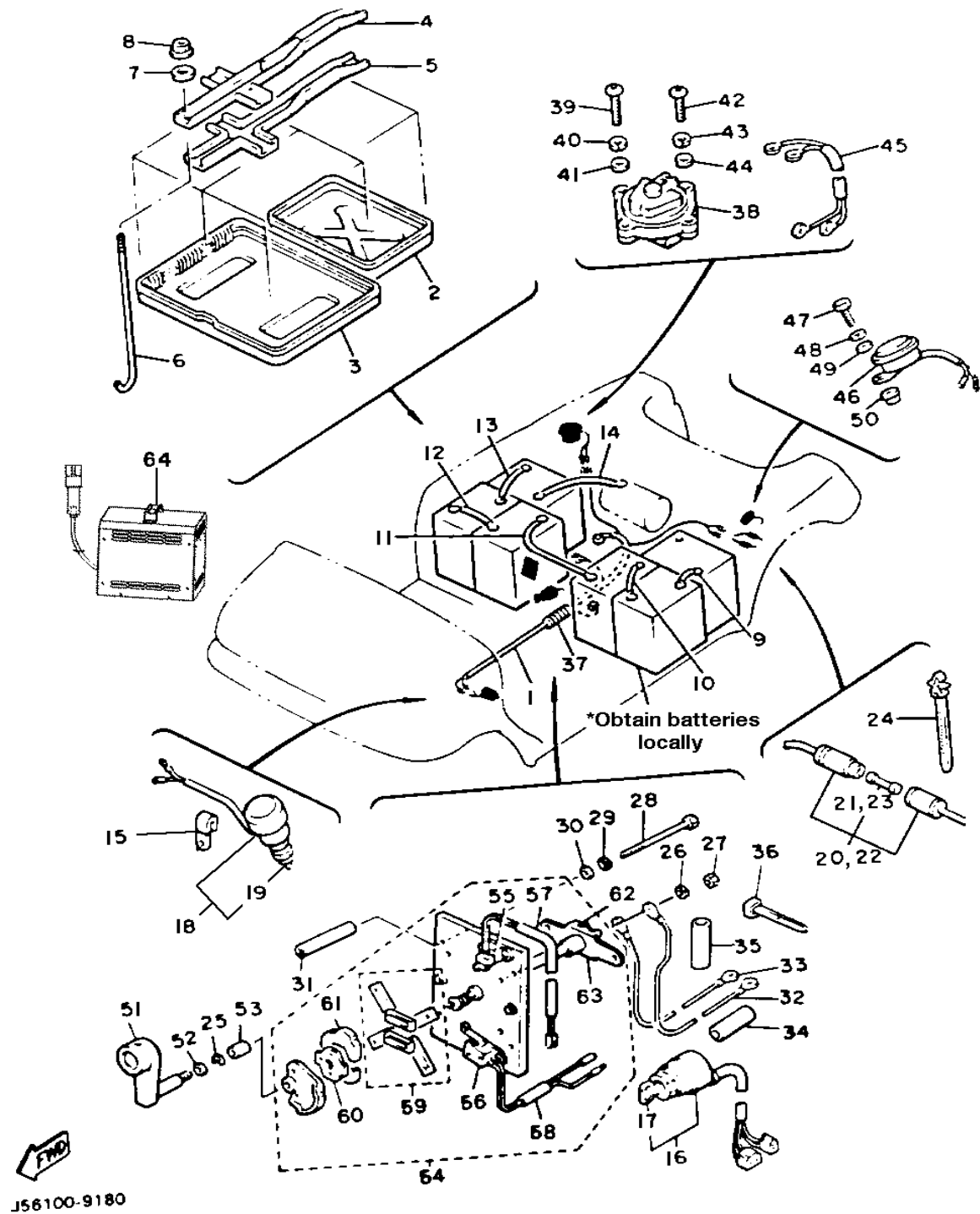
J41100-8180

ELECTRICAL 1

Ref. No.	Part Number	Description	Qty	Remarks
1	J43-82590-00-00	WIRE HARNESS (J41-82590-00-00)	1	
2	J56-H2122-00-00	SEAT, BATTERY	2	
3	J56-H2123-00-00	SEAT, BATTERY	2	
4	J41-82136-01-00	PLATE, BATTERY FITTING	2	
5	J41-82121-00-00	PAD, BATTERY	2	
6	J14-82133-01-00	SCREW, FITTING	4	
7	90201-06067-00	WASHER, PLATE	4	
8	95701-06500-00	NUT, FLANGE	4	
9	J56-H2127-00-00	WIRE, LEAD 2	1	
10	J56-H2117-00-00	WIRE, LEAD	1	
11	J56-H2149-00-00	WIRE, LEAD 3	1	
12	J56-H2127-00-00	WIRE, LEAD 2	1	
13	J56-H2117-00-00	WIRE, LEAD	1	
14	J56-H2116-00-00	WIRE, MINUS LEAD (J14-82116-00-00)	1	
15	90465-06038-00	CLAMP	1	
16	J55-82510-00-00	MAIN SWITCH ASSEMBLY	1	
17	J17-82511-20-00	. KEY, MAIN SWITCH	2	
18	J41-82550-00-00	STOP SWITCH ASSEMBLY	1	
19	JF2-82532-00-00	. CAP, RUBBER	1	
20	1E6-82150-00-00	FUSE HOLDER ASSEMBLY	1	
21	1E6-82151-00-00	. FUSE (10A)	2	
22	1E6-82150-00-00	FUSE HOLDER ASSEMBLY	1	
23	1E6-82151-00-00	. FUSE (10A)	2	
24	90464-12036-00	CLAMP	2	
25	99001-08600-00	CIRCLIP	1	
26	92995-06100-00	WASHER, SPRING	4	
27	95380-06600-00	NUT	4	
28	97021-06080-00	BOLT (97001-06080-00)	4	
29	92995-06100-00	WASHER, SPRING	4	

CONTENTS

ACCELERATOR	B1
BODY JE2 & J41-016101 ~	B11-12,C1
BODY 2 JE2 & J41-016101 ~	C2-3
BODY FITTING	C4-5
BODY ~ J41-016100	B7-10
BRAKE 1	A8-10
BRAKE 2	A11
BRAKE 3	A12
BUMPER	B5-6
CARRIER	C6-7
CONTROLLER 1	C11-12
CONTROLLER 2	D1-2
ELECTRICAL 1	D3-5
FRAME	A3
FRONT SUSPENSION WHEEL	A4-5
REAR AXLE WHEEL	B4
REAR SHOCKS	A2
SEAT	C8
STARTING MOTOR	C9-10
STEERING	A6-7
TECHNICAL BULLETINS	ROW K
TRANSMISSION 1	B2-3
~MODELS IN THIS CATALOG	D6



J56100-9180

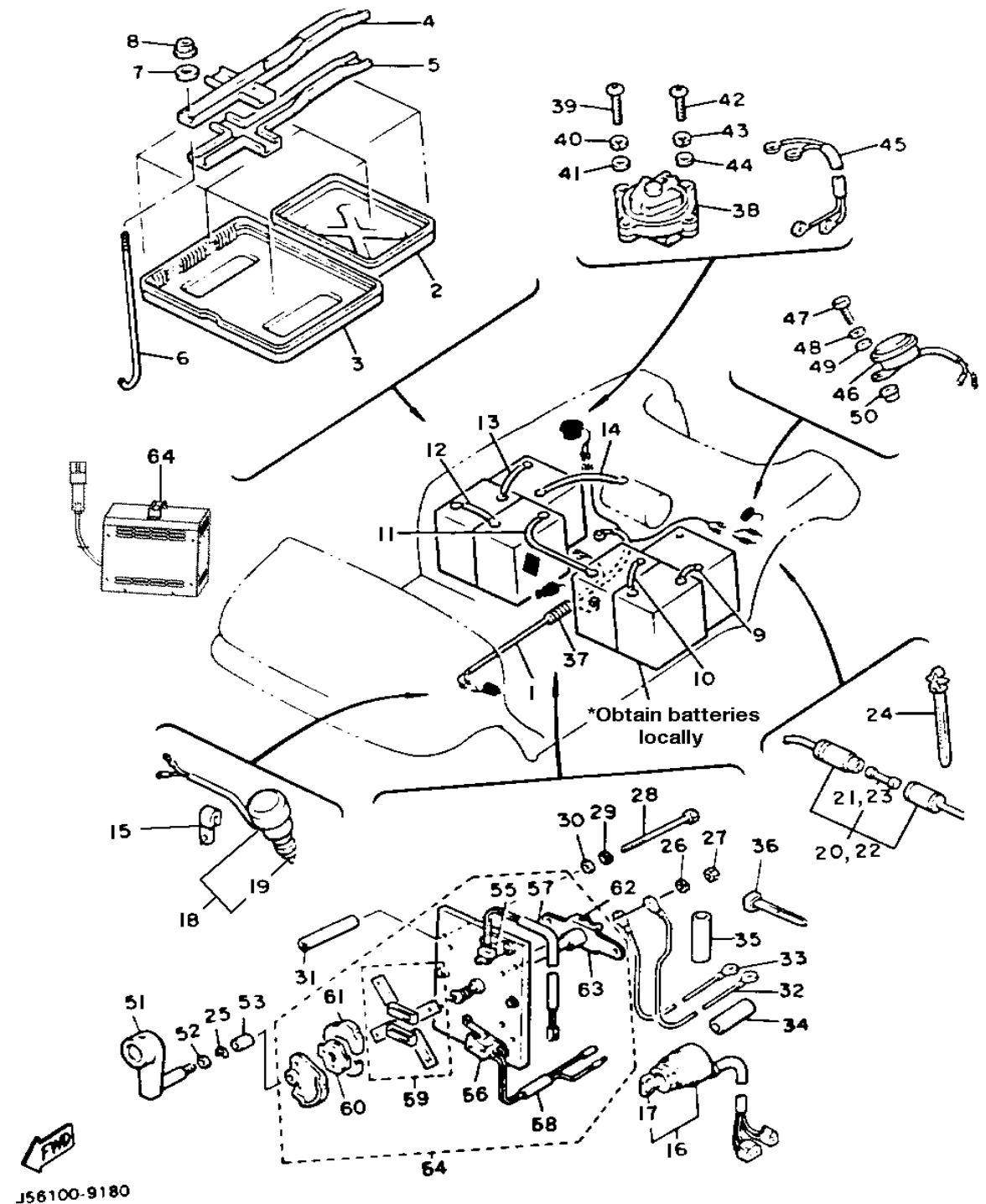
CONTINUED ON NEXT FRAME >

ELECTRICAL 1

Ref. No.	Part Number	Description	Qty	Remarks
30	92990-06600-00	WASHER, PLATE	4	
31	90387-061M8-00	COLLAR	4	
32	J56-H2531-00-00	WIRE, LEAD	1	
33	J56-H2531-00-00	WIRE, LEAD	1	
34	J56-H7198-00-00	TUBE 2 (J22-87197-00-00)	1	
35	J56-H7197-00-00	TUBE 2	1	
36	90464-13073-00	CLAMP	1	
37	J56-H7196-00-00	TUBE 1	1	
38	JF3-86181-00-00	RECEPTACLE	1	
39	98506-05035-00	SCREW, PAN HEAD	2	
40	92906-05100-00	WASHER, SPRING	2	
41	92906-05600-00	WASHER, PLATE	2	
42	98506-05016-00	SCREW, PAN HEAD	2	
43	92906-05100-00	WASHER, SPRING	2	
44	92906-05600-00	WASHER, PLATE	2	
45	J41-82542-00-00	WIRE, LEAD	1	
46	J14-83383-01-00	BUZZER	1	
47	97313-06016-00	BOLT, HEXAGON	1	
48	92995-06100-00	WASHER, SPRING	1	
49	92990-06600-00	WASHER, PLATE	1	
50	95702-06600-00	NUT, FLANGE	1	
51	J41-46381-00-00	KNOB, SHIFT	1	
52	90201-12474-00	WASHER, PLATE	1	
53	J41-46394-00-00	JOINT	1	
54	J41-82917-01-00	SWITCH	1	FWD/REV SWITCH
55	J41-82617-00-00	. SWITCH	1	
56	J41-82817-00-00	. MICRO SWITCH	1	
57	J41-8253R-00-00	. WIRE, LEAD 1	1	
58	J41-8253T-00-00	. WIRE, LEAD 2	1	
59	J41-8250H-09-00	. CONTACT PLATE COMP	1	

CONTENTS

ACCELERATOR	B1
BODY JE2 & J41-016101 ~	B11-12,C1
BODY 2 JE2 & J41-016101 ~	C2-3
BODY FITTING	C4-5
BODY ~ J41-016100	B7-10
BRAKE 1	A8-10
BRAKE 2	A11
BRAKE 3	A12
BUMPER	B5-6
CARRIER	C6-7
CONTROLLER 1	C11-12
CONTROLLER 2	D1-2
ELECTRICAL 1	D3-5
FRAME	A3
FRONT SUSPENSION WHEEL	A4-5
REAR AXLE WHEEL	B4
REAR SHOCKS	A2
SEAT	C8
STARTING MOTOR	C9-10
STEERING	A6-7
TECHNICAL BULLETINS	ROW K
TRANSMISSION 1	B2-3
~MODELS IN THIS CATALOG	D6



J56100-9180

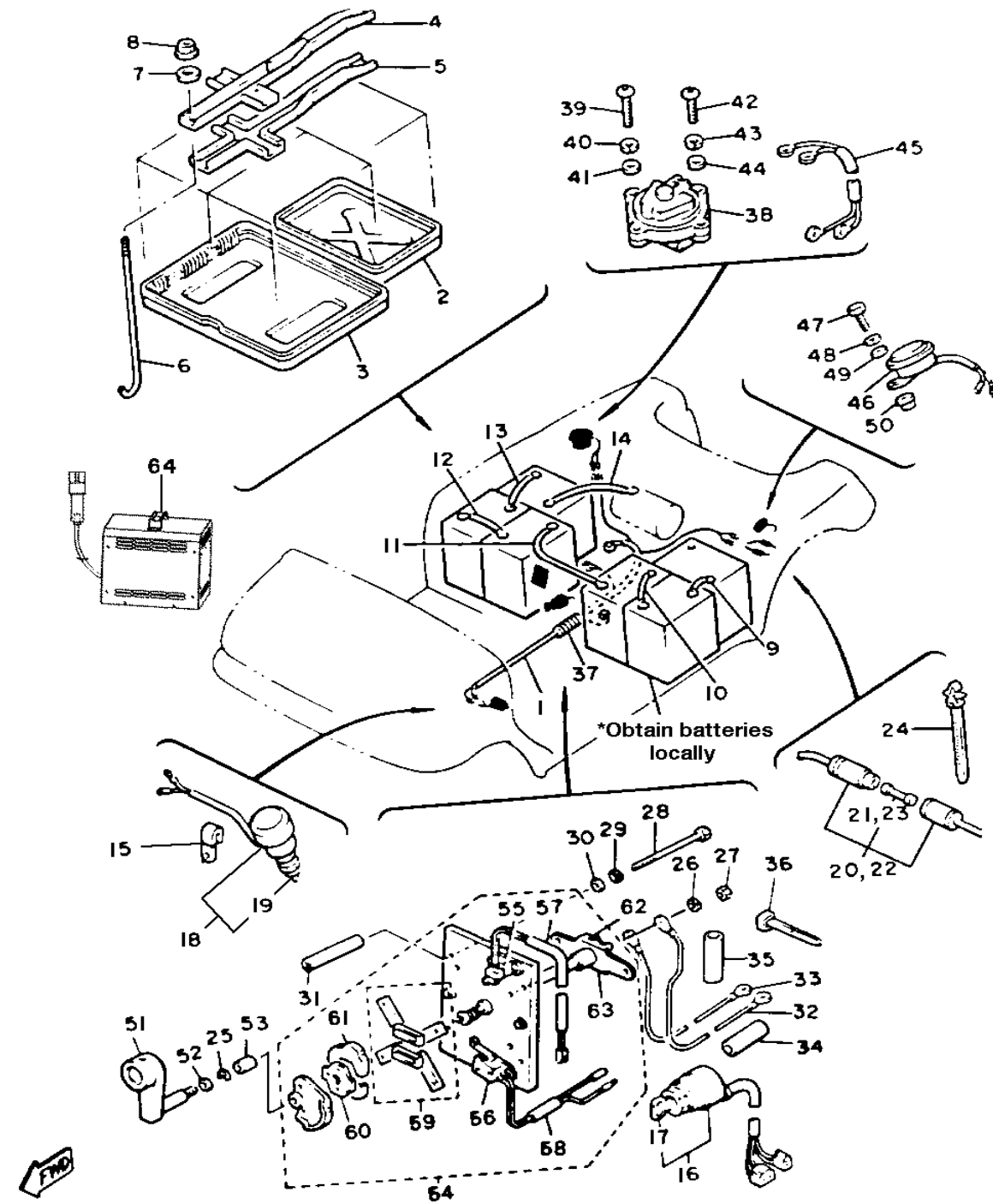
CONTINUED ON NEXT FRAME ➤

ELECTRICAL 1

Ref. No.	Part Number	Description	Qty	Remarks
60	J41-82388-00-00	. PLATE	1	
61	J41-82915-00-00	. HOLDER 1	1	
62	J41-8250T-09-00	. PLATE ACTION COMP	1	
63	91609-40040-00	. PIN, SPRING	1	
64	JN4-H2107-00-00	CHARGER, BATTERY, 36V ...	1	UR

CONTENTS

ACCELERATOR	B1
BODY JE2 & J41-016101 ~	B11-12,C1
BODY 2 JE2 & J41-016101 ~	C2-3
BODY FITTING	C4-5
BODY ~ J41-016100	B7-10
BRAKE 1	A8-10
BRAKE 2	A11
BRAKE 3	A12
BUMPER	B5-6
CARRIER	C6-7
CONTROLLER 1	C11-12
CONTROLLER 2	D1-2
ELECTRICAL 1	D3-5
FRAME	A3
FRONT SUSPENSION WHEEL	A4-5
REAR AXLE WHEEL	B4
REAR SHOCKS	A2
SEAT	C8
STARTING MOTOR	C9-10
STEERING	A6-7
TECHNICAL BULLETINS	ROW K
TRANSMISSION 1	B2-3
~MODELS IN THIS CATALOG	D6



J56100-9180

~MODELS IN THIS CATALOG

Ref. No.	Part Number	Description	Qty	Remarks
----------	-------------	-------------	-----	---------

CONTENTS

ACCELERATOR	B1
BODY JE2 & J41-016101 ~	B11-12,C1
BODY 2 JE2 & J41-016101 ~	C2-3
BODY FITTING	C4-5
BODY ~ J41-016100	B7-10
BRAKE 1	A8-10
BRAKE 2	A11
BRAKE 3	A12
BUMPER	B5-6
CARRIER	C6-7
CONTROLLER 1	C11-12
CONTROLLER 2	D1-2
ELECTRICAL 1	D3-5
FRAME	A3
FRONT SUSPENSION WHEEL	A4-5
REAR AXLE WHEEL	B4
REAR SHOCKS	A2
SEAT	C8
STARTING MOTOR	C9-10
STEERING	A6-7
TECHNICAL BULLETINS	ROW K
TRANSMISSION 1	B2-3
~MODELS IN THIS CATALOG	D6

1985 G2E5 (J41)

STARTING FRAME (G2E5): J41-000101 and following

1986 G2E (J41)

STARTING FRAME (G2E): J41-016101 and following

1987 G2EB (J41)

STARTING FRAME (G2EB): J41-030101 and following

1988 G2EB (J41)

STARTING FRAME (G2EB): J41-053101 and following

1988 G2EC (JE2)

STARTING FRAME (G2EC): JE2-000101 and following

ALL THESE MODELS USE THIS SAME PARTS CATALOG.
BE SURE TO ORDER ONLY THOSE PARTS APPLICABLE
TO THE DESIRED MODEL.

TECHNICAL BULLETIN

GOLF CAR DATE: 1/21/88 BY: G88-001

SELF-ADJUSTING BRAKE MODELS CORRECT INSTALLATION

INTRODUCTION
PROBLEM: During the brake reassembly, shoes and springs on vehicles with self-adjusting brakes can be assembled incorrectly.
CAUSE: The service manuals are incorrect and incomplete.
BENEFIT: Follow the assembly procedures in this bulletin to correctly assemble the brake shoes.

DEALER ACTION SUMMARY
 1. Make notes in all service manuals to refer to this bulletin for correct self-adjusting brake assembly procedures, or insert copies of this bulletin in the appropriate places in the service manuals.
 2. Make sure all service personnel are aware of the correct assembly procedures.
NOTE: The correct brake assembly information will be included with all manuals available in the future from YPDI after date of this bulletin.

AFFECTED UNITS
 All G1, G2, and G3 units with self-adjusting brakes.

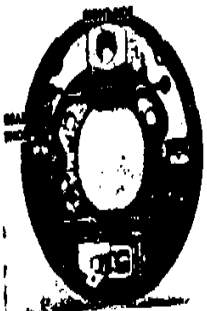
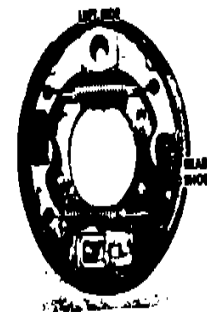
CORRECT ASSEMBLY PROCEDURES

1. Locate the longer brake shoe and install it toward the rear of the car.

NOTE: A very light coating of grease should be applied to the toes of all shoes where they contact the adjusters and anchor bodies. Do not overgrease.

2. Hook the lower brake shoe return spring from underneath the front shoe and over the rear shoe as pictured. The long leg of the spring goes to the rear shoe.

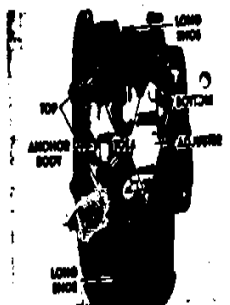
3. Hook the top brake shoe return spring from underneath, as pictured.



CORRECT ASSEMBLY PROCEDURES (Cont'd.)

NOTE: The long rear shoe on each side has one triangular-shaped end, and one that is cut away. The cutaway ends of both shoes go to the top or anchor body, as pictured.

NOTE: The top end of each shoe has a number stamped in it.



WARRANTY INFORMATION

This bulletin is issued for informational purposes only. No special warranty applies.

PAGE 1 OF 2 PAGE 2 OF 2 ROUTE TO: SERVICE PARTS WARRANTY SALES

TECHNICAL BULLETIN

GOLF CAR DATE: 3/17/88 BY: G88-003

G2-A/G2-E SOLENOID REPAIR KIT

INTRODUCTION
PROBLEM: Solenoid plunger moves, but solenoid does not operate.
CAUSE: Internal moving parts or contacts worn or damaged.
REMEDY: Install solenoid repair kit.

NOTE: If the solenoid coil is bad, the complete solenoid must be replaced. (The solenoid coil is bad if the solenoid plunger does not move when power is applied directly to the solenoid coil wires, or if there is no continuity between the two solenoid coil wires [measured with an ohmmeter with the battery cables and wire harness disconnected.]
 If the coil is good, the ohmmeter should read $62\Omega \pm 10\%$ (J-41) or $7\Omega \pm 10\%$ (J-38). Any higher readings indicate a shorted or grounded coil.

DEALER ACTION SUMMARY
 If a solenoid's plunger moves, but the solenoid does not operate properly, a repair kit may be installed, using the service procedures in this bulletin.

AFFECTED UNITS
 All G2-A J38
 All G2-E J41

SERVICE PROCEDURES
 Turn the main switch off, and disconnect the negative battery lead. Secure the battery lead so it cannot contact the battery terminal, and remove the solenoid.
NOTE: Refer to the PARTS INFORMATION section to view all parts named in the following procedures.

DISASSEMBLY

1. Remove the cover screws and loosen the end cap.

Do not try to remove the cap at this point. The coil wires are still attached and will easily break if any strain is put on them.



DISASSEMBLY (Cont'd.)

2. Heat the terminals at the top of the cap to melt the solder that holds the coil wires. Only when the solder is fluid, pull upward on the cap and allow the wires to slip out. Discard the old cap and seal.

Do not pull on the end cap until the solder has melted. The coil wires will break.



3. Remove the rubber cover, and underneath, the two screws, the plate, and the two coils.

4. Remove the contact plate by removing the small nut holding it to the shaft and plunger assembly.

5. Discard the plunger, shaft, and contact plate and parts. Keep the large spring and insulator for use in reassembly.



REASSEMBLY

WARNING

Failure to follow these reassembly and plunger adjustment instructions properly can cause the solenoid to engage by itself, with the following possible consequences:

- A. ELECTRIC CAR - WITH BRAKE ON: Overheating of the resistor coils and motor, resulting in serious damage to these components.
- B. ELECTRIC CAR - WITH BRAKE OFF: The car may move without an operator.
- C. GAS CAR - WITH BRAKE ON OR OFF: The starter motor will operate without the accelerator pedal being pressed. Under certain conditions, the car can move without an operator.

PAGE 1 OF 4 PAGE 2 OF 4

CONTENTS

ACCELERATOR	B1
BODY JE2 & J41-016101 ~	B11-12,C1
BODY 2 JE2 & J41-016101 ~	C2-3
BODY FITTING	C4-5
BODY ~ J41-016100	B7-10
BRAKE 1	A8-10
BRAKE 2	A11
BRAKE 3	A12
BUMPER	B5-6
CARRIER	C6-7
CONTROLLER 1	C11-12
CONTROLLER 2	D1-2
ELECTRICAL 1	D3-5
FRAME	A3
FRONT SUSPENSION WHEEL	A4-5
REAR AXLE WHEEL	B4
REAR SHOCKS	A2
SEAT	C8
STARTING MOTOR	C9-10
STEERING	A6-7
TECHNICAL BULLETINS	ROW K
TRANSMISSION 1	B2-3
-MODELS IN THIS CATALOG	D6