

PARTS CATALOGUE GOLF CAR GAS

1982 G1A3 (J17)

STARTING FRAME: J17-000101 and following

CONTENTS

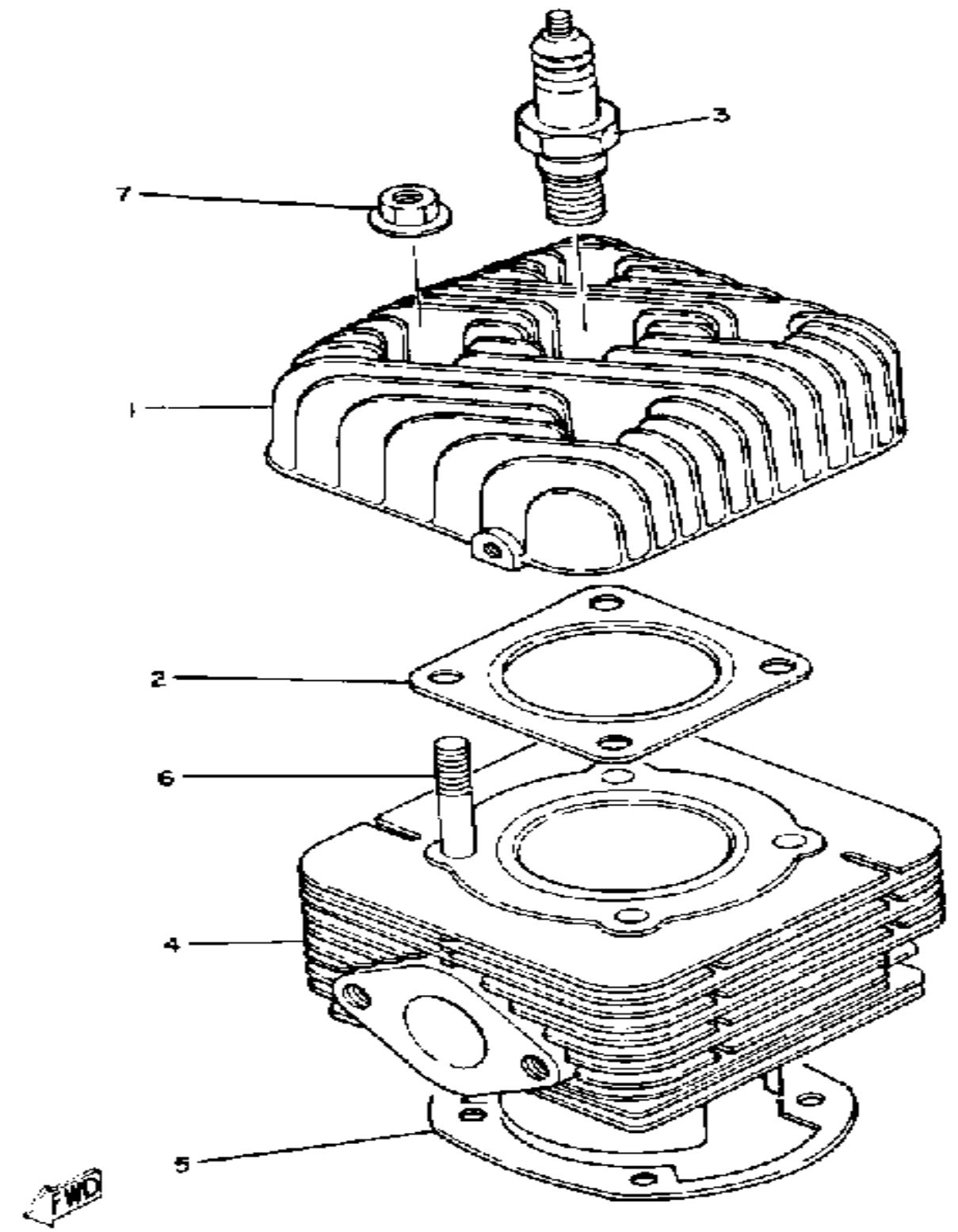
ACCELERATOR	C3
AIR FILTER	A7-8
AIR SHROUD FAN	A4
BODY	C12 ,D1
BODY FITTING	D2-3
BRAKE	B10-12
BUMPER	C10-11
CARBURETOR	A9
CARRIER	D4-5
CDI MAGNETO	D10-11
CRANKCASE	A11
CRANKSHAFT PISTON	A3
CYLINDER HEAD CYLINDER	A2
DRUM BRAKE	C1-2
ELECTRICAL 1	D12 ,E1
EXHAUST	A10
FRAME	B1
FRONT SUSPENSION WHEEL	B2-4
FUEL TANK	B8-9
GENERATOR	D7-8
GOVERNOR	C4
OIL PUMP	A5
OIL TANK	B7
PRIMARY SHEAVE	C5
PUMP DRIVE GEAR	A6
REAR AXLE WHEEL	C9
REAR SHOCKS	A12
SEAT	D6
SECONDARY SHEAVE	C6
STARTER PULLEY	D9
STEERING	B5-6
TRANSMISSION	C7-8

CYLINDER HEAD CYLINDER

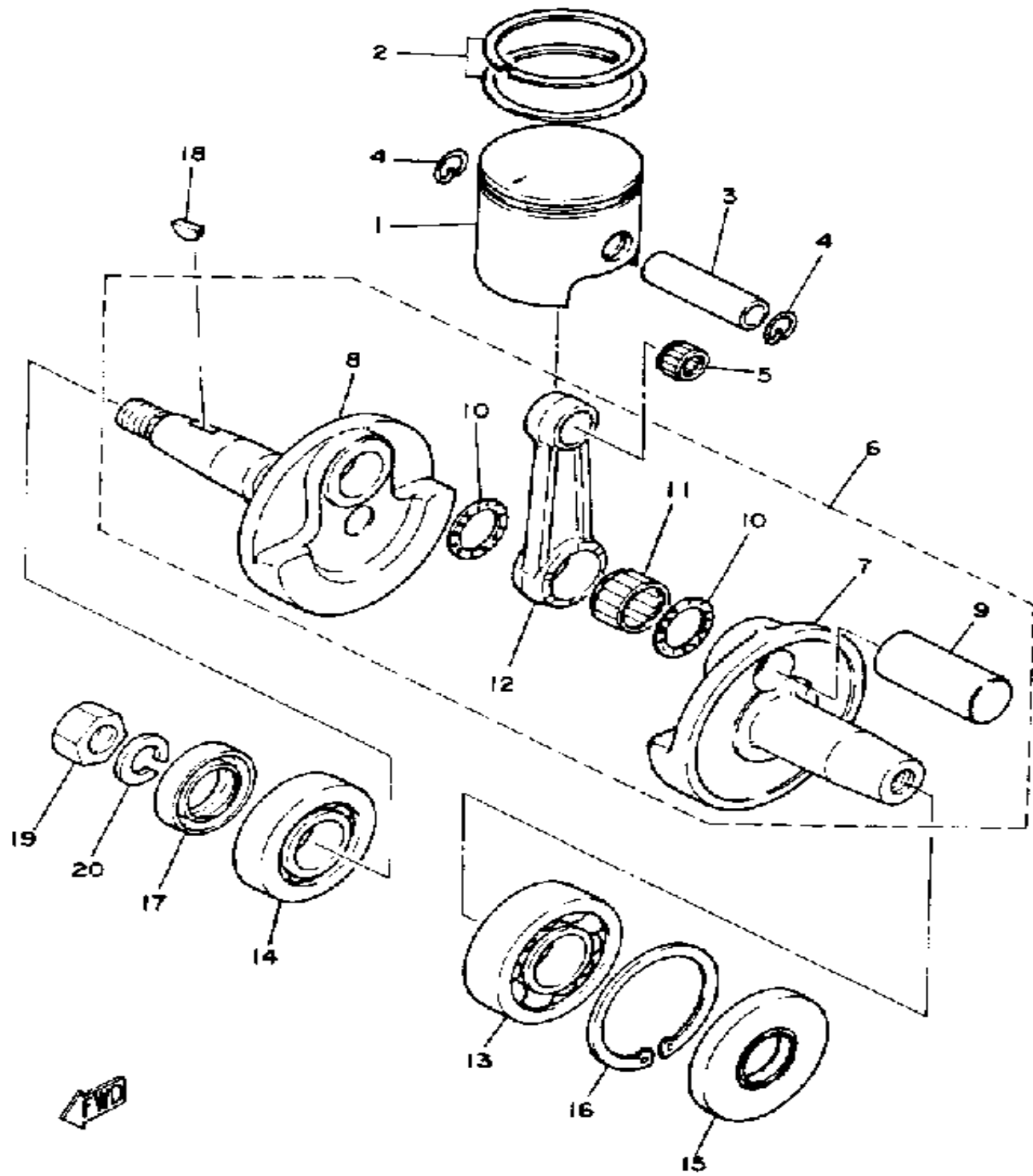
Ref. No.	Part Number	Description	Qty	Remarks
1	J17-11111-00-00	HEAD, CYLINDER 1	1	
2	J10-11181-00-00	GASKET, CYLINDER HEAD 1 .	1	
3	NGK-BP5HS-00-00	NGK BP5HS 10PK	1	
4	J17-11311-00-00	CYLINDER 1	1	
5	881-11351-01-00	GASKET, CYLINDER	1	
6	90116-08254-00	BOLT, STUD	4	
7	95701-08500-00	NUT, FLANGE (95702-08500-00)	4	

CONTENTS

ACCELERATOR	C3
AIR FILTER	A7-8
AIR SHROUD FAN	A4
BODY	C12 ,D1
BODY FITTING	D2-3
BRAKE	B10-12
BUMPER	C10-11
CARBURETOR	A9
CARRIER	D4-5
CDI MAGNETO	D10-11
CRANKCASE	A11
CRANKSHAFT PISTON	A3
CYLINDER HEAD CYLINDER	A2
DRUM BRAKE	C1-2
ELECTRICAL 1	D12 ,E1
EXHAUST	A10
FRAME	B1
FRONT SUSPENSION WHEEL	B2-4
FUEL TANK	B8-9
GENERATOR	D7-8
GOVERNOR	C4
OIL PUMP	A5
OIL TANK	B7
PRIMARY SHEAVE	C5
PUMP DRIVE GEAR	A6
REAR AXLE WHEEL	C9
REAR SHOCKS	A12
SEAT	D6
SECONDARY SHEAVE	C6
STARTER PULLEY	D9
STEERING	B5-6
TRANSMISSION	C7-8



CRANKSHAFT PISTON

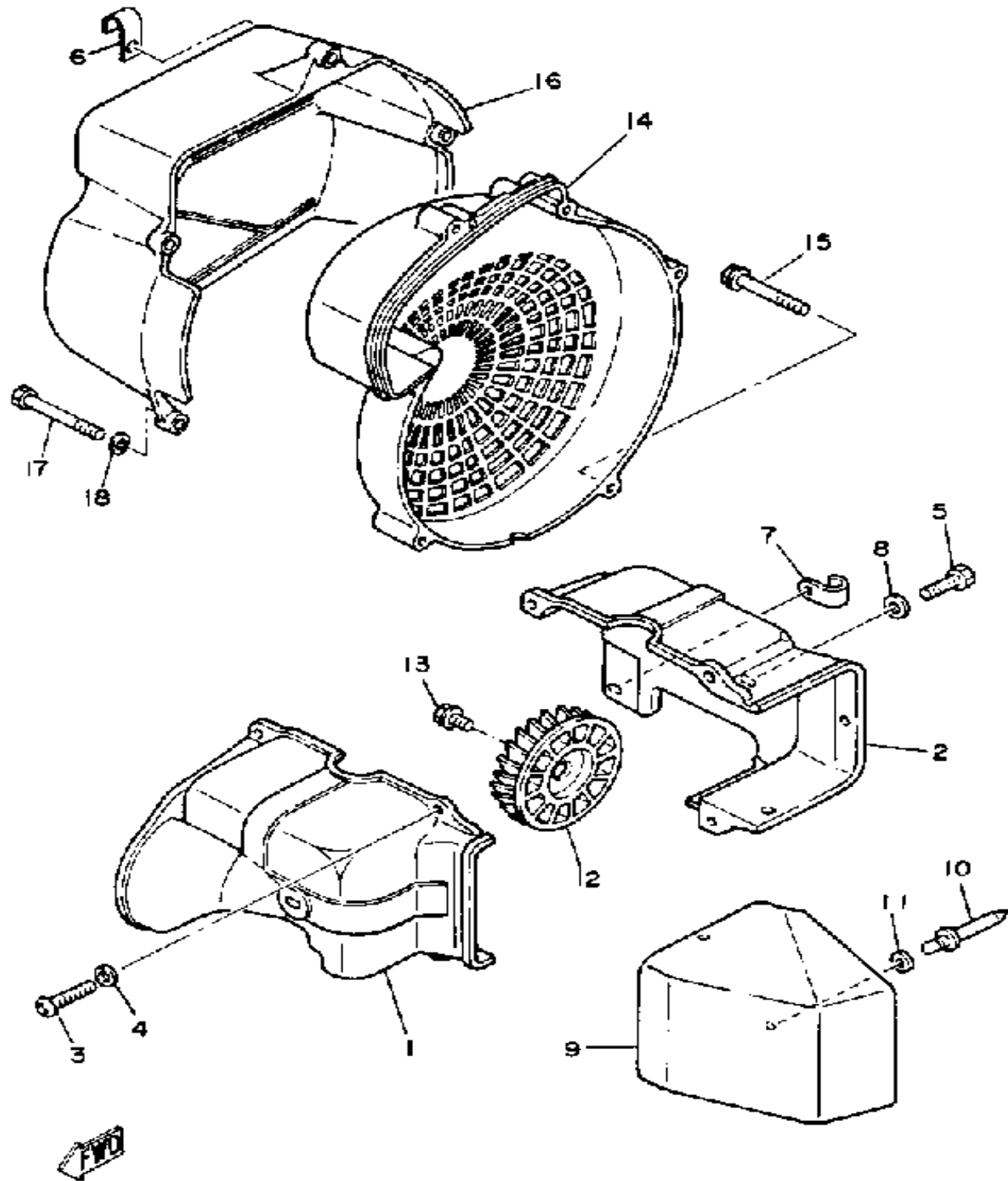


Ref. No.	Part Number	Description	Qty	Remarks
1	J10-11631-00-96	PISTON STD	1	U.R.
	J10-11635-00-00	PISTON 1 O/S 0.25	1	ALTERNATE PART
	J10-11636-00-00	PISTON 2 O/S 0.50	1	ALTERNATE PART
2	J10-11610-00-00	PISTON RING SET STD	1	
	J10-11610-20-00	PISTON RING SET 2ND (2ND O/S)	1	ALTERNATE PART
	J10-11610-10-00	PISTON RING SET 1ST (1ST O/S)	1	ALTERNATE PART
3	818-11633-00-00	PIN, PISTON	1	
4	93450-20026-00	CIRCLIP	2	
5	93310-218A6-00	BEARING, CYLINDRICAL	1	
6	J10-11400-00-00	CRANKSHAFT ASSEMBLY	1	
7	J10-11412-00-00	. CRANK 1	1	
8	J10-11422-00-00	. CRANK 2	1	
9	857-11681-00-00	. PIN, CRANK 1	1	
10	90209-24073-00	. WASHER, SPECIAL SHAPE	2	
11	93310-42497-00	. BEARING, CYLINDER #0	1	
12	881-11651-00-00	. ROD, CONNECTING	1	
13	93306-30630-00	BEARING	1	
14	93306-20622-00	BEARING	1	
15	93102-30188-00	OIL SEAL, SD-TYPE	1	
16	93450-72048-00	CIRCLIP, INNER	1	
17	93102-30128-00	OIL SEAL, SD-TYPE	1	
18	90280-16053-00	KEY, WOODRUFF (90280-05048-00)	1	
19	90170-16182-00	NUT	1	
20	92901-16100-00	WASHER, SPRING	1	

CONTENTS

ACCELERATOR	C3
AIR FILTER	A7-8
AIR SHROUD FAN	A4
BODY	C12, D1
BODY FITTING	D2-3
BRAKE	B10-12
BUMPER	C10-11
CARBURETOR	A9
CARRIER	D4-5
CDI MAGNETO	D10-11
CRANKCASE	A11
CRANKSHAFT PISTON	A3
CYLINDER HEAD CYLINDER	A2
DRUM BRAKE	C1-2
ELECTRICAL 1	D12, E1
EXHAUST	A10
FRAME	B1
FRONT SUSPENSION WHEEL	B2-4
FUEL TANK	B8-9
GENERATOR	D7-8
GOVERNOR	C4
OIL PUMP	A5
OIL TANK	B7
PRIMARY SHEAVE	C5
PUMP DRIVE GEAR	A6
REAR AXLE WHEEL	C9
REAR SHOCKS	A12
SEAT	D6
SECONDARY SHEAVE	C6
STARTER PULLEY	D9
STEERING	B5-6
TRANSMISSION	C7-8

AIR SHROUD FAN



Ref. No.	Part Number	Description	Qty	Remarks
1	J10-12651-00-00	AIR SHROUD, CYLINDER 1 ...	1	
2	J24-12652-00-00	AIR SHROUD, CYLINDER 2 ...	1	
3	98503-06014-00	SCREW, PAN HEAD (92502-06016-00)	3	
4	92901-06600-00	WASHER	3	
5	97313-06016-00	BOLT, HEXAGON	4	
6	90462-08056-00	CLAMP	1	
7	90465-08028-00	CLAMP	1	
8	90201-065F3-00	WASHER, PLATE	4	
9	J10-12631-00-00	DEFLECTOR 1	1	
10	90267-48086-00	RIVET, BLIND	3	
11	90201-04325-00	WASHER, PLATE	3	
12	8G8-12611-01-00	FAN	1	
13	95811-06012-00	BOLT, FLANGE	6	
14	J10-12621-01-00	CASE, FAN	1	
15	95811-06050-00	BOLT, FLANGE	1	
16	J24-12616-00-00	COVER, FAN CASE	1	
17	97313-06060-00	BOLT, HEXAGON	4	
18	92901-06600-00	WASHER	4	

CONTENTS

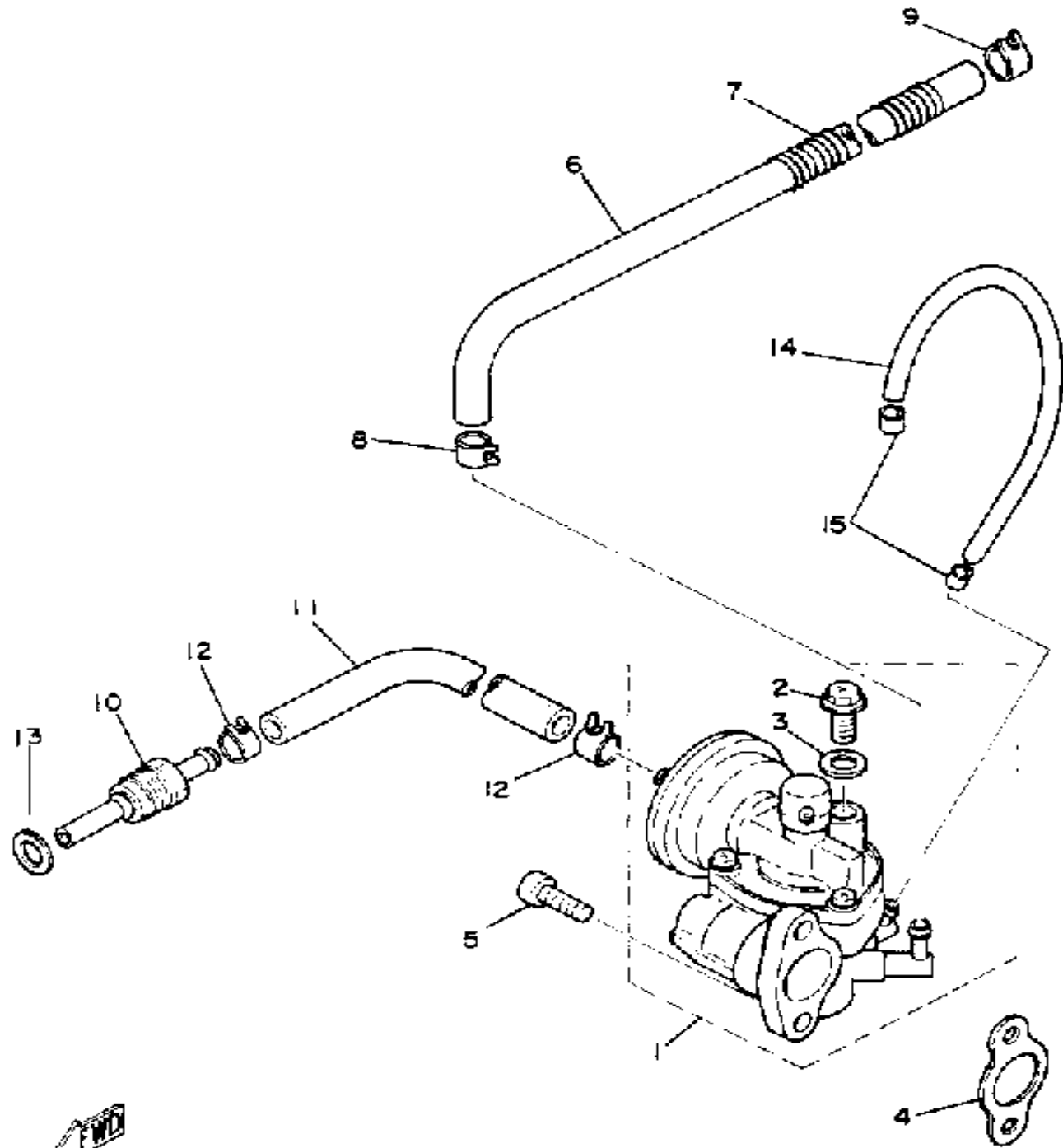
ACCELERATOR	C3
AIR FILTER	A7-8
AIR SHROUD FAN	A4
BODY	C12, D1
BODY FITTING	D2-3
BRAKE	B10-12
BUMPER	C10-11
CARBURETOR	A9
CARRIER	D4-5
CDI MAGNETO	D10-11
CRANKCASE	A11
CRANKSHAFT PISTON	A3
CYLINDER HEAD CYLINDER	A2
DRUM BRAKE	C1-2
ELECTRICAL 1	D12, E1
EXHAUST	A10
FRAME	B1
FRONT SUSPENSION WHEEL	B2-4
FUEL TANK	B8-9
GENERATOR	D7-8
GOVERNOR	C4
OIL PUMP	A5
OIL TANK	B7
PRIMARY SHEAVE	C5
PUMP DRIVE GEAR	A6
REAR AXLE WHEEL	C9
REAR SHOCKS	A12
SEAT	D6
SECONDARY SHEAVE	C6
STARTER PULLEY	D9
STEERING	B5-6
TRANSMISSION	C7-8

OIL PUMP

Ref. No.	Part Number	Description	Qty	Remarks
1	J17-13101-00-00	OIL PUMP ASSEMBLY	1	
2	90401-06001-00	. BOLT, UNION	1	
3	90430-06180-00	. GASKET	1	
4	3MT-13116-00-00	GASKET, PUMP CASE (8Y0-13116-00-00)	1	
5	98580-05016-00	SCREW, PAN HEAD	2	
6	90445-09635-00	HOSE	1	
7	90501-08430-00	SPRING, COMPRESSION	1	
8	90467-09005-00	CLIP, SCISSOR	1	
9	90467-09026-00	CLIP	1	
10	J10-13283-00-00	JET, SENSOR	1	
11	90445-11634-00	HOSE	1	
12	90467-10035-00	CLIP	2	
13	90201-08624-00	WASHER, PLATE	1	
14	90445-05214-00	HOSE	1	
15	90468-02033-00	CLIP	2	

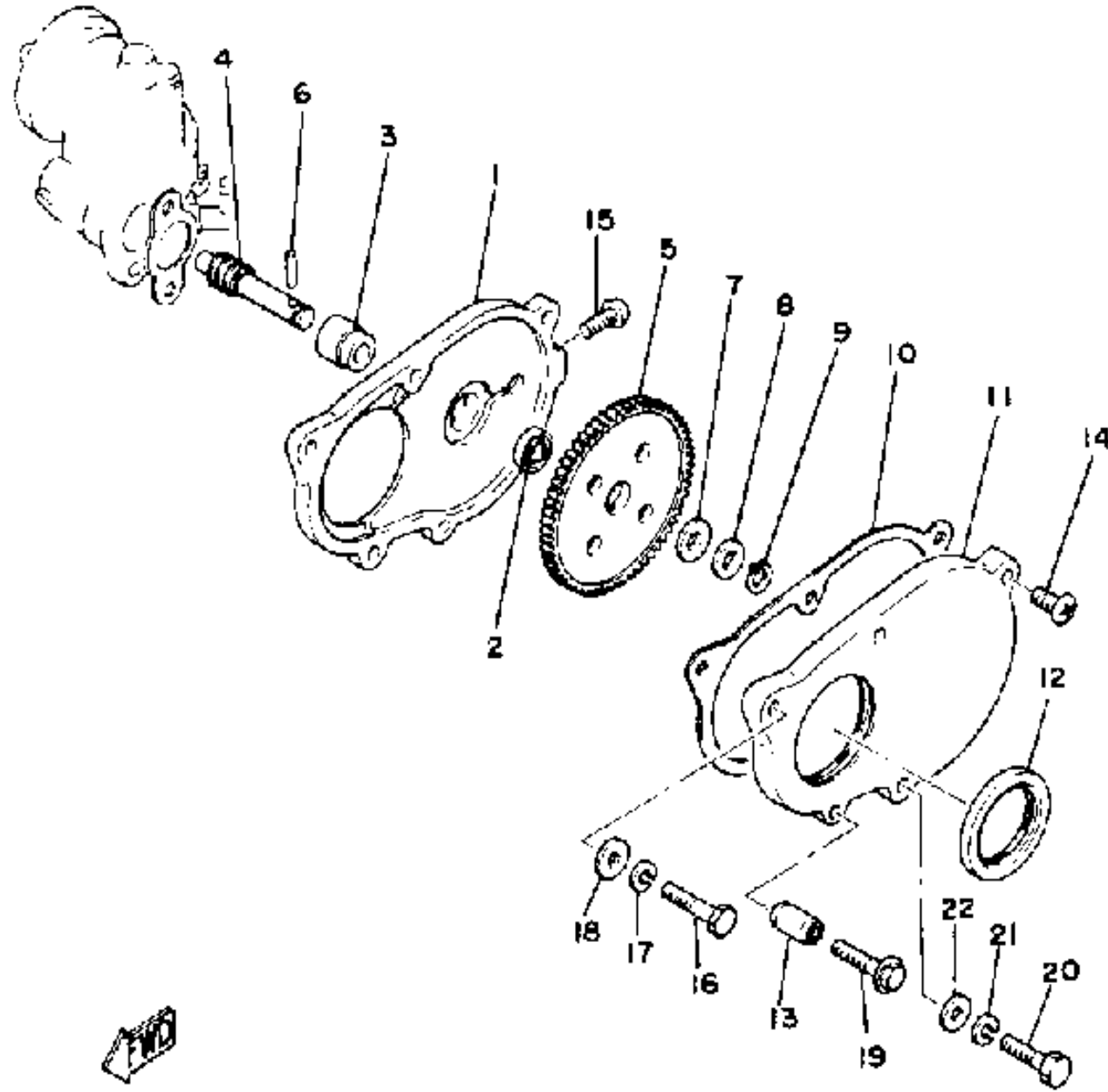
CONTENTS

ACCELERATOR	C3
AIR FILTER	A7-8
AIR SHROUD FAN	A4
BODY	C12 ,D1
BODY FITTING	D2-3
BRAKE	B10-12
BUMPER	C10-11
CARBURETOR	A9
CARRIER	D4-5
CDI MAGNETO	D10-11
CRANKCASE	A11
CRANKSHAFT PISTON	A3
CYLINDER HEAD CYLINDER	A2
DRUM BRAKE	C1-2
ELECTRICAL 1	D12 ,E1
EXHAUST	A10
FRAME	B1
FRONT SUSPENSION WHEEL	B2-4
FUEL TANK	B8-9
GENERATOR	D7-8
GOVERNOR	C4
OIL PUMP	A5
OIL TANK	B7
PRIMARY SHEAVE	C5
PUMP DRIVE GEAR	A6
REAR AXLE WHEEL	C9
REAR SHOCKS	A12
SEAT	D6
SECONDARY SHEAVE	C6
STARTER PULLEY	D9
STEERING	B5-6
TRANSMISSION	C7-8



A5

PUMP DRIVE GEAR

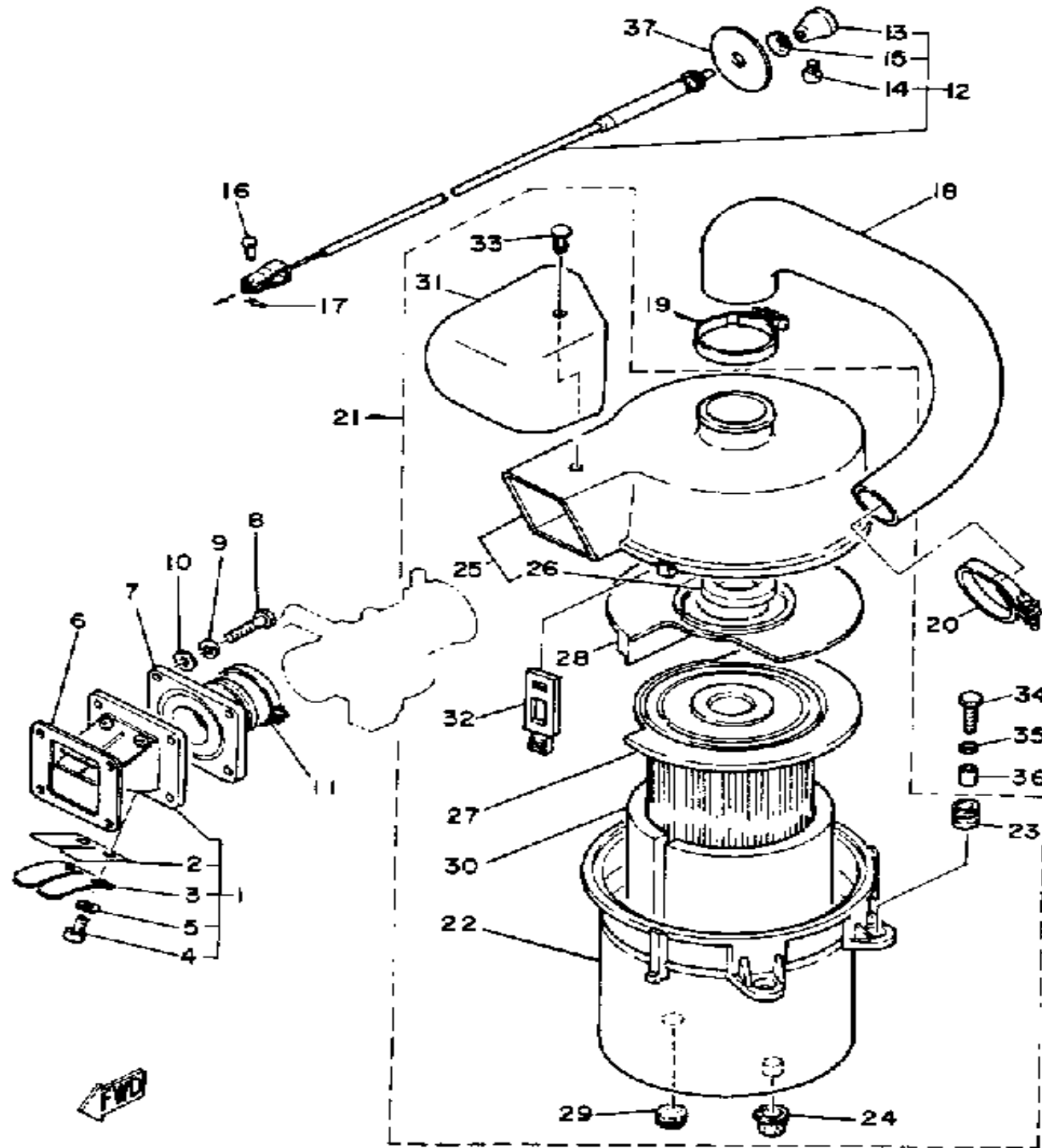


Ref. No.	Part Number	Description	Qty	Remarks
1	J10-15416-00-00	COVER, OIL PUMP	1	
2	93101-10090-00	OIL SEAL	1	
3	1E7-13176-00-00	METAL, WORM SHAFT OTR ...	1	
4	J10-13175-00-00	SHAFT, WORM	1	
5	J10-13188-00-00	GEAR, DRIVE	1	
6	93603-22028-00	PIN, DOWEL	1	
7	90206-11016-00	WASHER, WAVE	1	
8	137-13148-00-00	PLATE, CAM THRUST	1	
9	99009-10400-00	CIRCLIP	1	
10	J10-15466-00-00	GASKET 2	1	
11	J10-15426-00-00	COVER, OIL PUMP R	1	
12	93112-53004-00	OIL SEAL, SR-TYPE	1	
13	91810-18025-00	PIN, DOWEL	2	
14	98580-06018-00	SCREW, PAN HEAD (N15)	1	
15	98580-06012-00	SCREW, PAN HEAD (92501-06012-00)	1	
16	97313-08035-00	BOLT, HEXAGON	1	
17	92990-08100-00	WASHER	1	
18	92901-08600-00	WASHER	1	
19	95811-06035-00	BOLT, FLANGE	2	
20	97021-06030-00	BOLT	1	
21	92995-06100-00	WASHER, SPRING (92990-06100-00)	1	
22	92901-06600-00	WASHER	1	

CONTENTS

ACCELERATOR	C3
AIR FILTER	A7-8
AIR SHROUD FAN	A4
BODY	C12 ,D1
BODY FITTING	D2-3
BRAKE	B10-12
BUMPER	C10-11
CARBURETOR	A9
CARRIER	D4-5
CDI MAGNETO	D10-11
CRANKCASE	A11
CRANKSHAFT PISTON	A3
CYLINDER HEAD CYLINDER	A2
DRUM BRAKE	C1-2
ELECTRICAL 1	D12 ,E1
EXHAUST	A10
FRAME	B1
FRONT SUSPENSION WHEEL	B2-4
FUEL TANK	B8-9
GENERATOR	D7-8
GOVERNOR	C4
OIL PUMP	A5
OIL TANK	B7
PRIMARY SHEAVE	C5
PUMP DRIVE GEAR	A6
REAR AXLE WHEEL	C9
REAR SHOCKS	A12
SEAT	D6
SECONDARY SHEAVE	C6
STARTER PULLEY	D9
STEERING	B5-6
TRANSMISSION	C7-8

AIR FILTER



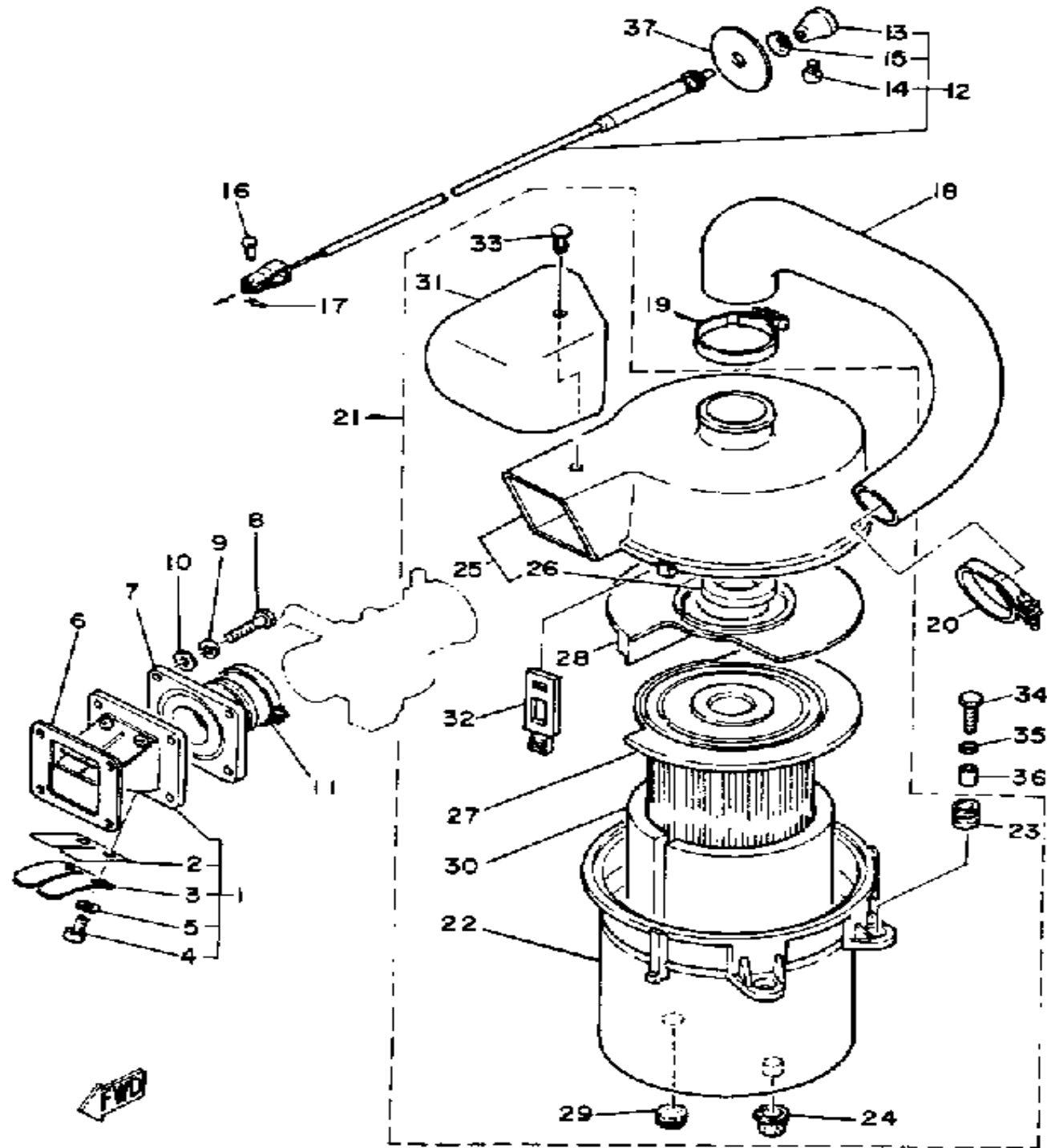
Ref. No.	Part Number	Description	Qty	Remarks
1	558-13610-00-00	REED VALVE ASSEMBLY	1	
2	345-13613-70-00	. REED, VALVE	2	
3	345-13616-70-00	. STOPPER, REED VALVE	2	
4	98580-03008-00	. SCREW, PAN HEAD	4	
5	92990-03100-00	. WASHER, SPRING (92901-03100-00)	4	
6	87A-13621-00-00	GASKET, VALVE SEAT	1	
7	J17-13586-00-00	JOINT, CARBURETOR 1	1	
8	97021-06030-00	BOLT	4	
9	92995-06100-00	WASHER, SPRING (92990-06100-00)	4	
10	92901-06600-00	WASHER	4	
11	90460-41191-00	CLAMP, HOSE (90460-41146-00)	1	
12	J10-26331-02-00	CABLE, STARTER 1	1	
13	J10-26325-00-00	. KNOB, STARTER	1	
14	90149-03132-00	. SCREW, SPECIAL SHAPE	1	
15	J17-26339-09-00	. BOOT	1	
16	91701-05010-00	PIN, CLEVIS	1	
17	90468-10050-00	CLIP	1	
18	J10-14453-00-00	JOINT, AIR CLNR 1	1	
19	90460-41191-00	CLAMP, HOSE (90460-41146-00)	1	
20	90460-50035-00	CLAMP, HOSE	1	
21	J17-14410-00-00	AIR CLEANER ASSEMBLY 1	1	
22	J10-14411-01-00	. CASE, AIR CLEANER 1	1	
23	90480-13238-00	. GROMMET	2	
24	90480-14239-00	. GROMMET	2	
25	J17-W1443-00-00	. CAP, CLEANER CASE 1 (J17-14412-01-00)	1	
26	J10-14416-00-00	. . GASKET, AIR CLEANER	1	
27	J10-14450-10-00	. ELEMENT ASSY, AIR CLEANER	1	

CONTENTS

ACCELERATOR	C3
AIR FILTER	A7-8
AIR SHROUD FAN	A4
BODY	C12, D1
BODY FITTING	D2-3
BRAKE	B10-12
BUMPER	C10-11
CARBURETOR	A9
CARRIER	D4-5
CDI MAGNETO	D10-11
CRANKCASE	A11
CRANKSHAFT PISTON	A3
CYLINDER HEAD CYLINDER	A2
DRUM BRAKE	C1-2
ELECTRICAL 1	D12, E1
EXHAUST	A10
FRAME	B1
FRONT SUSPENSION WHEEL	B2-4
FUEL TANK	B8-9
GENERATOR	D7-8
GOVERNOR	C4
OIL PUMP	A5
OIL TANK	B7
PRIMARY SHEAVE	C5
PUMP DRIVE GEAR	A6
REAR AXLE WHEEL	C9
REAR SHOCKS	A12
SEAT	D6
SECONDARY SHEAVE	C6
STARTER PULLEY	D9
STEERING	B5-6
TRANSMISSION	C7-8

CONTINUED ON NEXT FRAME >

AIR FILTER

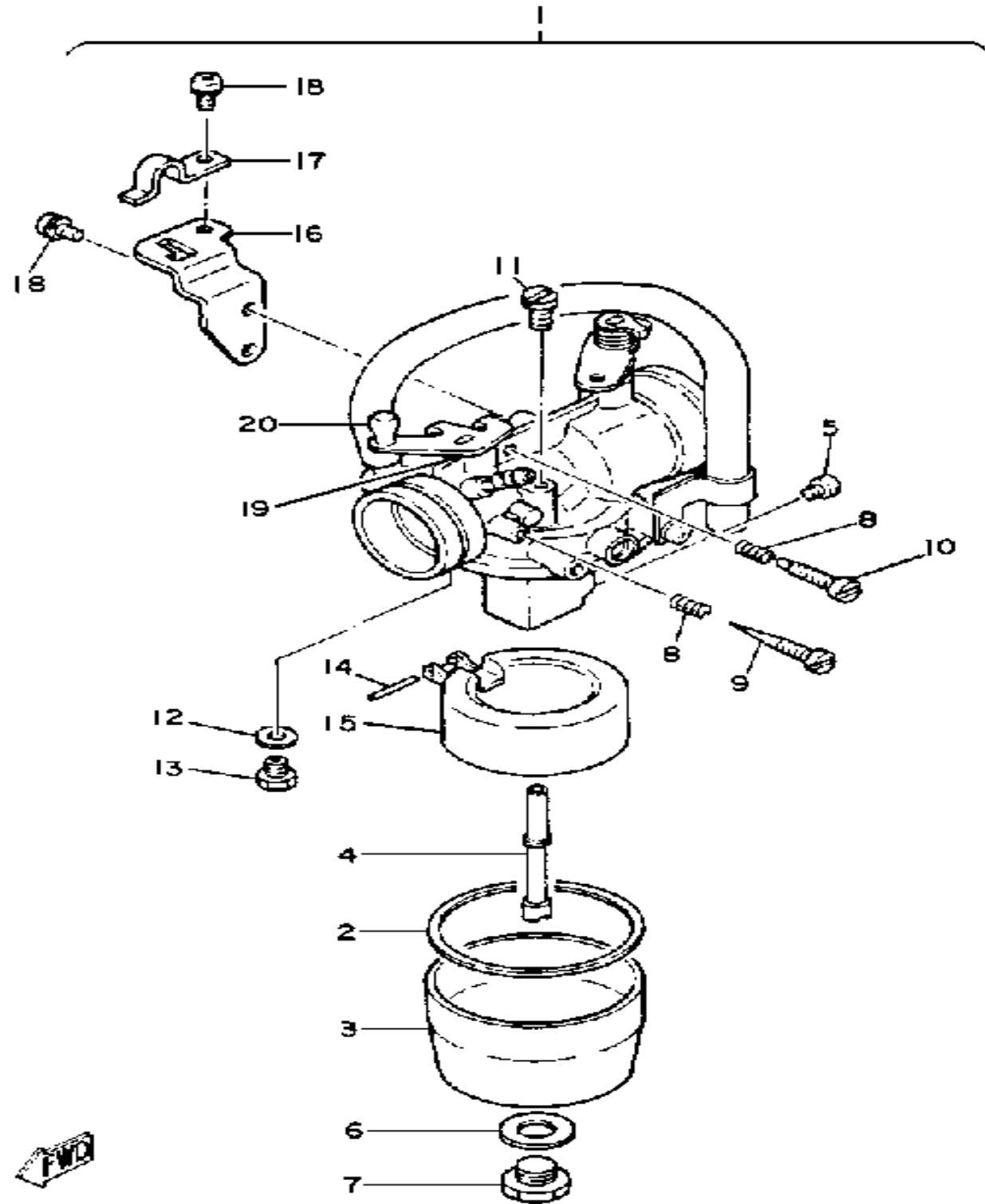


Ref. No.	Part Number	Description	Qty	Remarks
28	J10-1441F-00-00	. PARTN, AIR CLEANER CASE	1	
29	90480-14100-00	. GROMMET	1	
30	J10-14417-00-00	. COVER 1	1	
31	J17-12644-00-00	. DEFLECTOR 3	1	
32	J10-14436-00-00	. HOOK	3	
33	90269-65032-00	. RIVET, SPECIAL SHAPE	1	
34	97003-06022-00	BOLT, HEXAGON (97301-06022-00)	2	
35	90201-065F3-00	WASHER, PLATE	1	
36	90387-06026-00	COLLAR	2	
37	90201-114E6-00	WASHER, PLATE	1	

CONTENTS

ACCELERATOR	C3
AIR FILTER	A7-8
AIR SHROUD FAN	A4
BODY	C12, D1
BODY FITTING	D2-3
BRAKE	B10-12
BUMPER	C10-11
CARBURETOR	A9
CARRIER	D4-5
CDI MAGNETO	D10-11
CRANKCASE	A11
CRANKSHAFT PISTON	A3
CYLINDER HEAD CYLINDER	A2
DRUM BRAKE	C1-2
ELECTRICAL 1	D12, E1
EXHAUST	A10
FRAME	B1
FRONT SUSPENSION WHEEL	B2-4
FUEL TANK	B8-9
GENERATOR	D7-8
GOVERNOR	C4
OIL PUMP	A5
OIL TANK	B7
PRIMARY SHEAVE	C5
PUMP DRIVE GEAR	A6
REAR AXLE WHEEL	C9
REAR SHOCKS	A12
SEAT	D6
SECONDARY SHEAVE	C6
STARTER PULLEY	D9
STEERING	B5-6
TRANSMISSION	C7-8

CARBURETOR

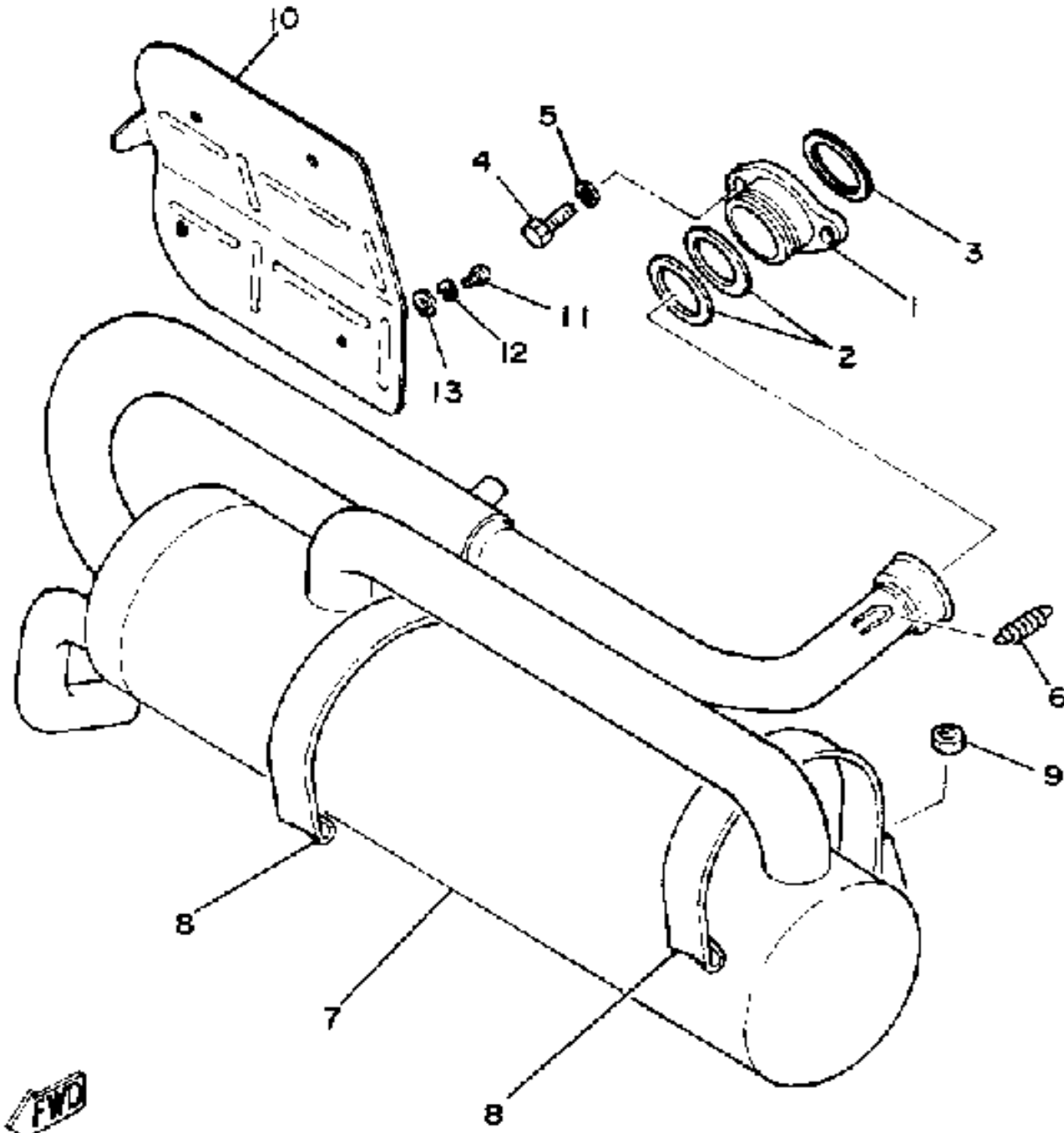


Ref. No.	Part Number	Description	Qty	Remarks
1	J17-14101-01-00	CARBURETOR ASSEMBLY 1 (J17-14101-00-00)	1	
2	796-14184-00-00	. GASKET, FLOAT CHAMBER	1	
3	796-14181-00-00	. BODY, FLOAT CHAMBER 1	1	
4	J17-14141-00-00	. NOZZLE, MAIN	1	
5	3G2-14231-19-00	. JET, POWER (# 95)	1	
6	732-14237-00-00	. GASKET	1	
7	J10-14244-00-00	. HOLDER, NOZZLE	1	
8	620-14212-00-00	. SPRING, PILOT ADJUSTING	2	
9	620-14211-00-00	. SCREW, PILOT ADJUSTING	1	
10	J10-14122-00-00	. SCREW, THROTTLE	1	
11	620-14142-32-00	. JET, PILOT #32	1	
12	127-14195-00-00	. WASHER, NEEDLE VALVE	1	
13	353-14190-10-00	. NEEDLE VALVE ASSEMBLY	1	
14	796-14186-00-00	. PIN, FLOAT	1	
15	796-14185-00-00	. FLOAT	1	
16	J10-14581-00-00	. BRACKET	1	
17	J10-14243-00-00	. PLATE	1	
18	98580-03008-00	. SCREW, PAN HEAD	2	
19	J10-14131-00-00	. SPRING, THROTTLE	1	
20	J17-14202-09-00	. THROTTLE SHAFT ASSY	1	

CONTENTS

ACCELERATOR	C3
AIR FILTER	A7-8
AIR SHROUD FAN	A4
BODY	C12, D1
BODY FITTING	D2-3
BRAKE	B10-12
BUMPER	C10-11
CARBURETOR	A9
CARRIER	D4-5
CDI MAGNETO	D10-11
CRANKCASE	A11
CRANKSHAFT PISTON	A3
CYLINDER HEAD CYLINDER	A2
DRUM BRAKE	C1-2
ELECTRICAL 1	D12, E1
EXHAUST	A10
FRAME	B1
FRONT SUSPENSION WHEEL	B2-4
FUEL TANK	B8-9
GENERATOR	D7-8
GOVERNOR	C4
OIL PUMP	A5
OIL TANK	B7
PRIMARY SHEAVE	C5
PUMP DRIVE GEAR	A6
REAR AXLE WHEEL	C9
REAR SHOCKS	A12
SEAT	D6
SECONDARY SHEAVE	C6
STARTER PULLEY	D9
STEERING	B5-6
TRANSMISSION	C7-8

EXHAUST



Ref. No.	Part Number	Description	Qty	Remarks
1	81E-14612-00-00	NUT, RING	1	
2	888-14633-00-00	RING	2	
3	8F3-14613-00-00	GASKET, EXHAUST PIPE	1	
4	97013-08025-00	BOLT	2	
5	92990-08100-00	WASHER	2	
6	90506-20074-00	SPRING, TENSION	2	
7	J17-14610-01-00	EXHAUST PIPE ASSEMBLY L (J17-14610-00-00)	1	
8	J10-14715-01-00	BAND, MUFFLER	2	
9	95611-08100-00	NUT, U	2	
10	J17-1468U-00-00	PLATE, SILENCER	1	
11	98580-05012-00	SCREW, PAN HEAD	4	
12	92990-05100-00	WASHER, SPRING	4	
13	90201-06074-00	WASHER, PLATE	4	

CONTENTS

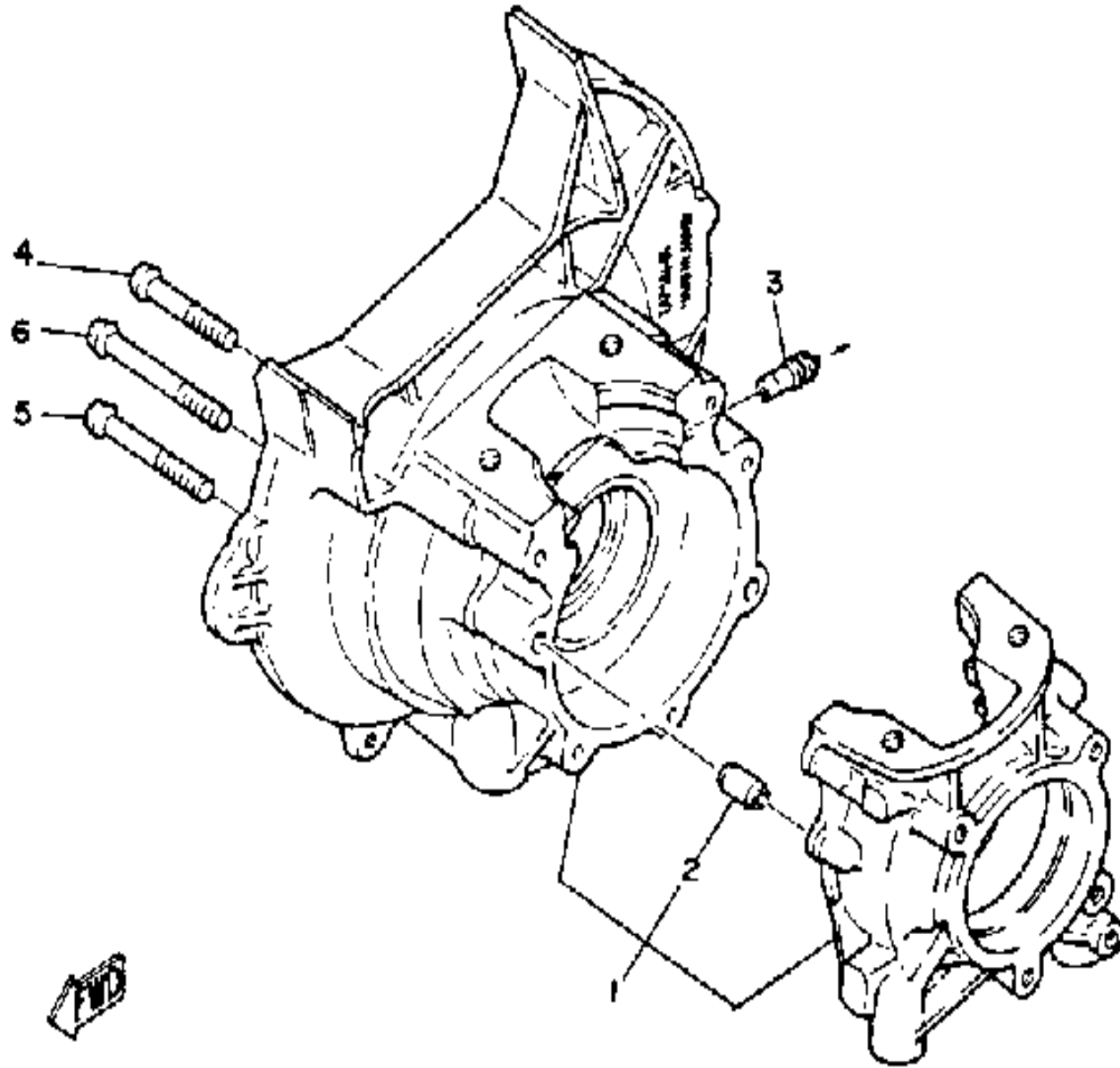
ACCELERATOR	C3
AIR FILTER	A7-8
AIR SHROUD FAN	A4
BODY	C12, D1
BODY FITTING	D2-3
BRAKE	B10-12
BUMPER	C10-11
CARBURETOR	A9
CARRIER	D4-5
CDI MAGNETO	D10-11
CRANKCASE	A11
CRANKSHAFT PISTON	A3
CYLINDER HEAD CYLINDER	A2
DRUM BRAKE	C1-2
ELECTRICAL 1	D12, E1
EXHAUST	A10
FRAME	B1
FRONT SUSPENSION WHEEL	B2-4
FUEL TANK	B8-9
GENERATOR	D7-8
GOVERNOR	C4
OIL PUMP	A5
OIL TANK	B7
PRIMARY SHEAVE	C5
PUMP DRIVE GEAR	A6
REAR AXLE WHEEL	C9
REAR SHOCKS	A12
SEAT	D6
SECONDARY SHEAVE	C6
STARTER PULLEY	D9
STEERING	B5-6
TRANSMISSION	C7-8

CRANKCASE

Ref. No.	Part Number	Description	Qty	Remarks
1	8H4-15100-00-00	CRANKCASE ASSEMBLY	1	
2	99530-10014-00	. PIN, DOWEL	2	
3	J38-11116-00-00	JOINT, BREATHER	1	
4	98580-06545-00	SCREW, PAN HEAD (92503-06045-00)	5	
5	98580-06055-00	SCREW, PAN HEAD (92501-06065-00)	1	
6	98580-06565-00	SCREW, PAN HEAD	1	

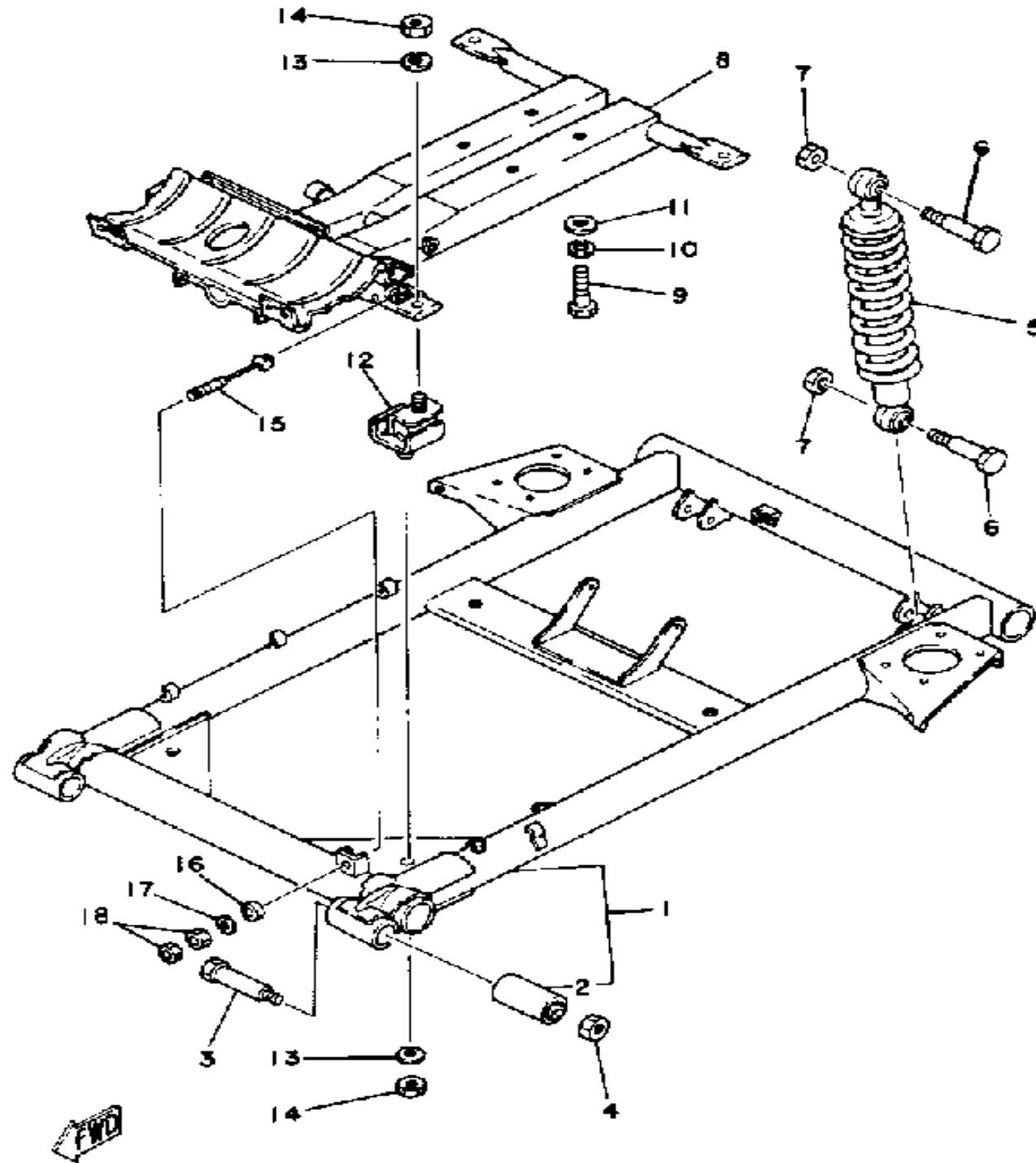
CONTENTS

ACCELERATOR	C3
AIR FILTER	A7-8
AIR SHROUD FAN	A4
BODY	C12 ,D1
BODY FITTING	D2-3
BRAKE	B10-12
BUMPER	C10-11
CARBURETOR	A9
CARRIER	D4-5
CDI MAGNETO	D10-11
CRANKCASE	A11
CRANKSHAFT PISTON	A3
CYLINDER HEAD CYLINDER	A2
DRUM BRAKE	C1-2
ELECTRICAL 1	D12 ,E1
EXHAUST	A10
FRAME	B1
FRONT SUSPENSION WHEEL	B2-4
FUEL TANK	B8-9
GENERATOR	D7-8
GOVERNOR	C4
OIL PUMP	A5
OIL TANK	B7
PRIMARY SHEAVE	C5
PUMP DRIVE GEAR	A6
REAR AXLE WHEEL	C9
REAR SHOCKS	A12
SEAT	D6
SECONDARY SHEAVE	C6
STARTER PULLEY	D9
STEERING	B5-6
TRANSMISSION	C7-8



A11

REAR SHOCKS

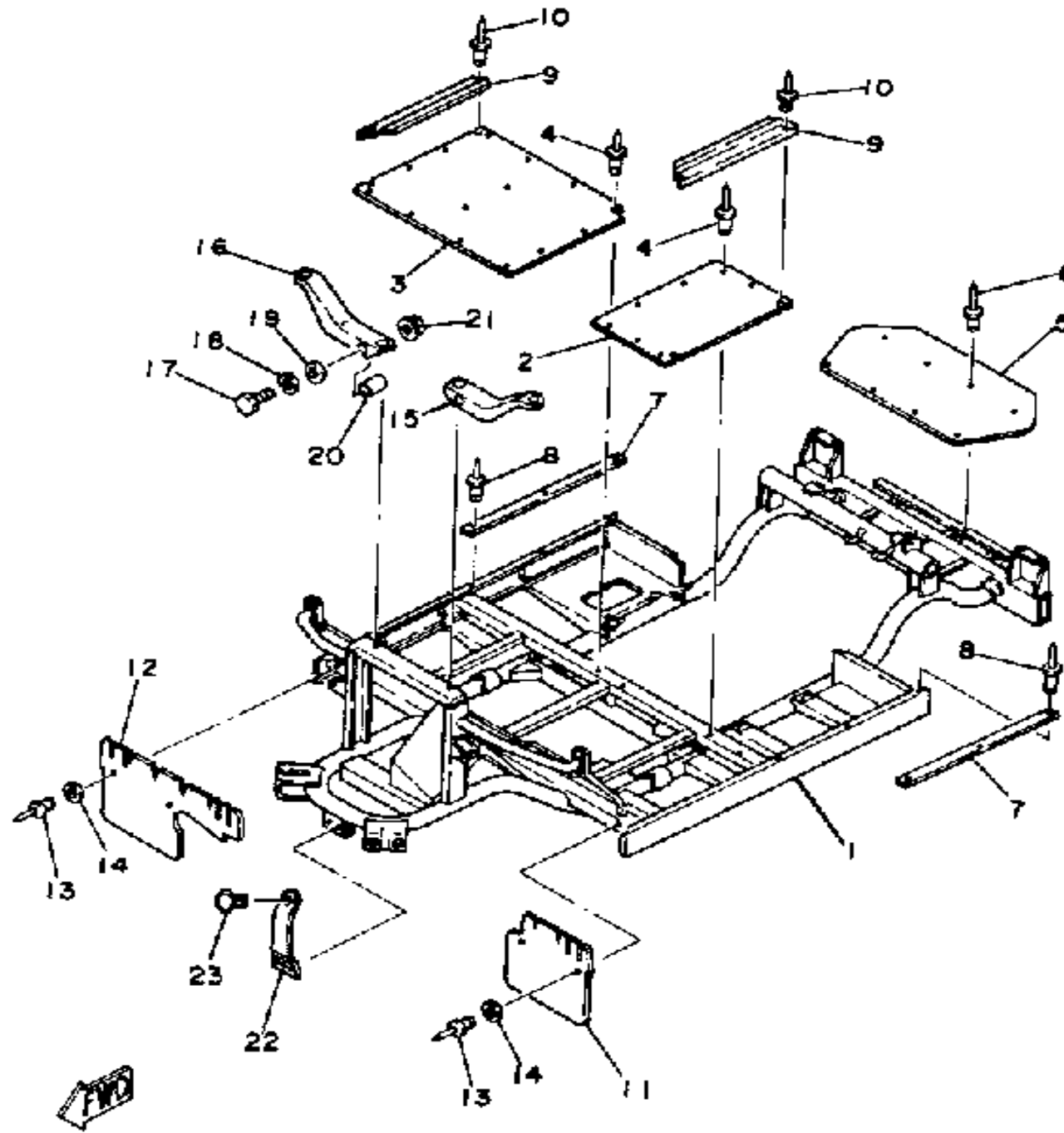


Ref. No.	Part Number	Description	Qty	Remarks
1	J17-W2211-00-00	REAR ARM	1	
2	J10-22123-00-00	. BUSH 1	2	
3	90101-10419-00	BOLT	2	
4	95612-10100-00	NUT, U	2	
5	J10-22210-00-00	SHK/ABS ASSEMBLY, REAR .	2	
6	97313-10050-00	BOLT, HEXAGON (676)	4	
7	95601-10100-00	NUT, U (95602-10100-00)	4	
8	J17-21411-00-00	BRACKET, ENGINE 1	1	
9	90106-10034-00	BOLT, DOME HEAD	4	
10	92990-10100-00	WASHER, SPRING	4	
11	92990-10600-00	WASHER, PLATE	4	
12	J10-21486-00-00	DAMPER 2	4	
13	92990-10100-00	WASHER, SPRING	8	
14	95303-10600-00	NUT (95301-10600-00)	8	
15	J31-2217J-01-00	TENSIONER 1	1	
16	J17-2214F-00-00	DAMPER 1	1	
17	90201-06778-00	WASHER, PLATE	1	
18	95380-06600-00	NUT (95303-06600-00)	2	

CONTENTS

ACCELERATOR	C3
AIR FILTER	A7-8
AIR SHROUD FAN	A4
BODY	C12, D1
BODY FITTING	D2-3
BRAKE	B10-12
BUMPER	C10-11
CARBURETOR	A9
CARRIER	D4-5
CDI MAGNETO	D10-11
CRANKCASE	A11
CRANKSHAFT PISTON	A3
CYLINDER HEAD CYLINDER	A2
DRUM BRAKE	C1-2
ELECTRICAL 1	D12, E1
EXHAUST	A10
FRAME	B1
FRONT SUSPENSION WHEEL	B2-4
FUEL TANK	B8-9
GENERATOR	D7-8
GOVERNOR	C4
OIL PUMP	A5
OIL TANK	B7
PRIMARY SHEAVE	C5
PUMP DRIVE GEAR	A6
REAR AXLE WHEEL	C9
REAR SHOCKS	A12
SEAT	D6
SECONDARY SHEAVE	C6
STARTER PULLEY	D9
STEERING	B5-6
TRANSMISSION	C7-8

FRAME

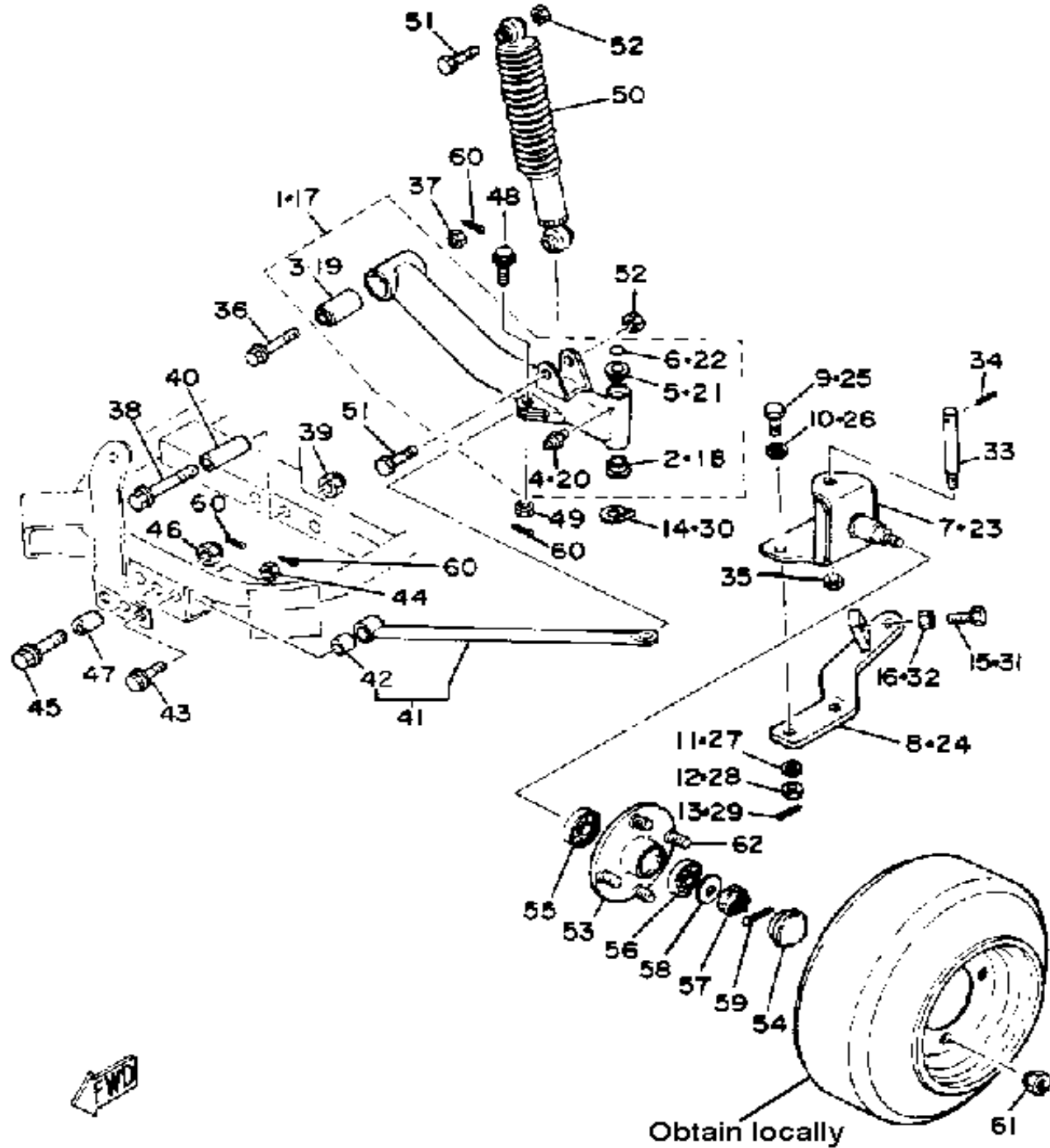


Ref. No.	Part Number	Description	Qty	Remarks
1	J17-22501-00-00	FRAME	1	
2	J17-22571-00-00	PANEL 1	1	
3	J17-22572-00-00	PANEL 2	1	
4	90267-40054-00	RIVET, BLIND	20	
5	J17-22573-00-00	PANEL 3	1	
6	90267-40076-00	RIVET, BLIND	8	
7	J17-78249-00-00	TRIM, FLOOR	2	
8	90267-40090-00	RIVET, BLIND	6	
9	J17-78181-00-00	PLATE 1	2	
10	90267-48086-00	RIVET, BLIND	4	
11	J17-78187-00-00	FLAP, FRONT FENDER	1	
12	J17-78189-00-00	FLAP, FRONT RIGHT	1	
13	90267-40054-00	RIVET, BLIND	5	
14	90201-05034-00	WASHER, PLATE	5	
15	J17-22567-00-00	SUPPORT 1	1	
16	J17-22568-00-00	SUPPORT 2	1	
17	97021-08065-00	BOLT	2	
18	92990-08100-00	WASHER	2	
19	92901-08600-00	WASHER	2	
20	90387-090G6-00	COLLAR	2	
21	95701-08500-00	NUT, FLANGE (95702-08500-00)	2	
22	J17-2258E-00-00	SUPPORT, COWL	1	
23	J11-77279-01-00	DAMPER, NOISE 9	1	

CONTENTS

ACCELERATOR	C3
AIR FILTER	A7-8
AIR SHROUD FAN	A4
BODY	C12, D1
BODY FITTING	D2-3
BRAKE	B10-12
BUMPER	C10-11
CARBURETOR	A9
CARRIER	D4-5
CDI MAGNETO	D10-11
CRANKCASE	A11
CRANKSHAFT PISTON	A3
CYLINDER HEAD CYLINDER	A2
DRUM BRAKE	C1-2
ELECTRICAL 1	D12, E1
EXHAUST	A10
FRAME	B1
FRONT SUSPENSION WHEEL	B2-4
FUEL TANK	B8-9
GENERATOR	D7-8
GOVERNOR	C4
OIL PUMP	A5
OIL TANK	B7
PRIMARY SHEAVE	C5
PUMP DRIVE GEAR	A6
REAR AXLE WHEEL	C9
REAR SHOCKS	A12
SEAT	D6
SECONDARY SHEAVE	C6
STARTER PULLEY	D9
STEERING	B5-6
TRANSMISSION	C7-8

FRONT SUSPENSION WHEEL



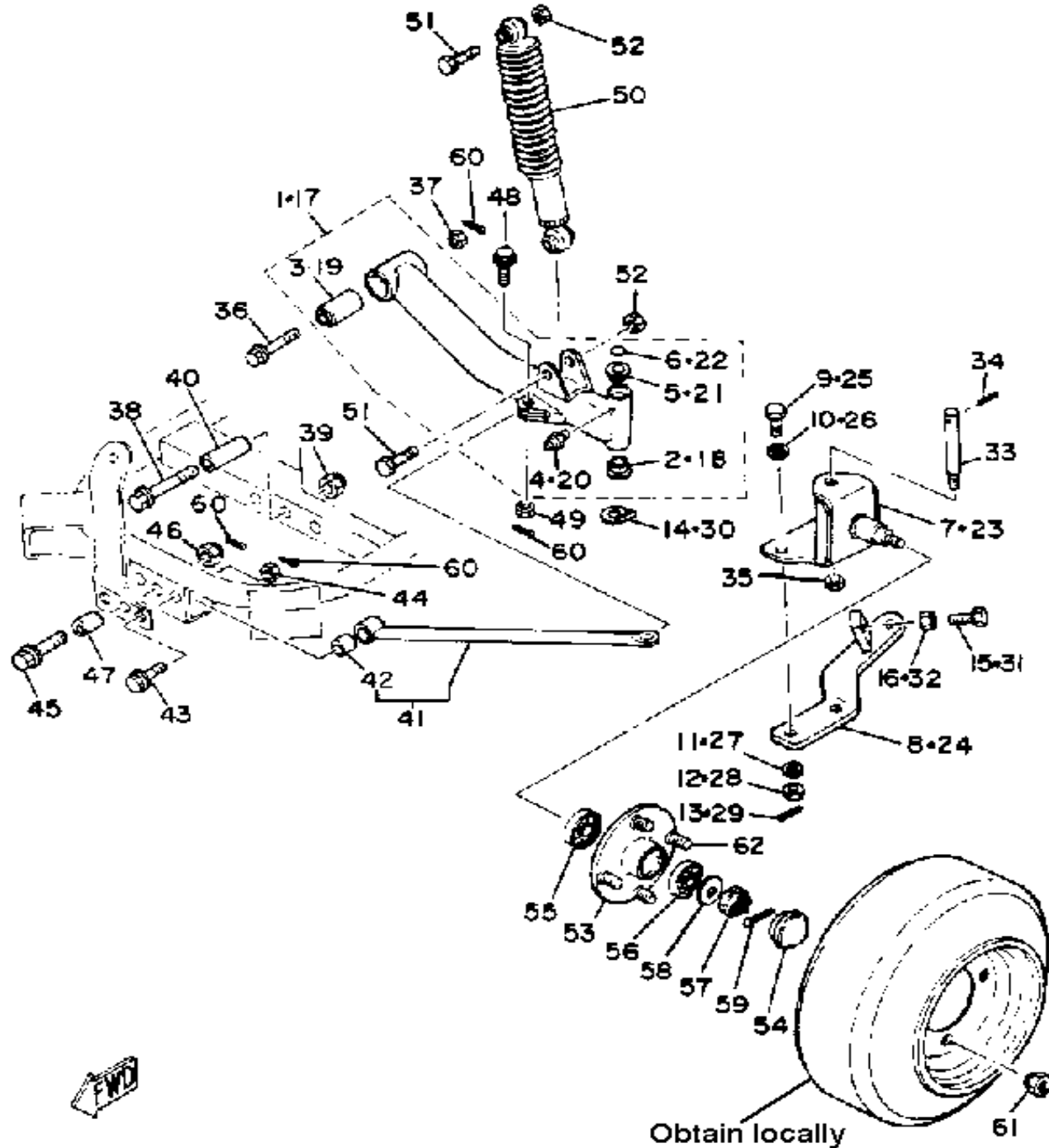
Ref. No.	Part Number	Description	Qty	Remarks
1	J42-W2351-00-00	FRONT LOWER ARM COMP. (L.H)	1	
2	90381-15032-00	. BUSH, SOLID	1	
3	J10-23526-00-00	. BUSH	1	
4	93700-06M03-00	. NIPPLE, GREASE	1	
5	90381-15040-00	. BUSH, SOLID	1	
6	93210-15566-00	. O-RING	1	
7	J17-23510-00-00	KNUCKLE, STEERING 1	1	
8	J11-23512-00-00	ARM, KNUCKLE 1	1	
9	90109-10643-00	BOLT	2	
10	90201-121F0-00	WASHER, PLATE	2	
11	90201-105F2-00	WASHER, PLATE	2	
12	90171-10035-00	NUT, CASTLE	2	
13	91490-25030-00	PIN, COTTER	2	
14	90214-16027-00	WASHER, CLAW	1	
15	97313-08030-00	BOLT, HEXAGON	1	
16	95303-08700-00	NUT	1	
17	J42-W2352-00-00	FRONT LOWER ARM COMP (R.H)	1	
18	90381-15032-00	. BUSH, SOLID	1	
19	J10-23526-00-00	. BUSH	1	
20	93700-06M03-00	. NIPPLE, GREASE	1	
21	90381-15040-00	. BUSH, SOLID	1	
22	93210-15566-00	. O-RING	1	
23	J17-23510-00-00	KNUCKLE, STEERING 1	1	
24	J11-23522-00-00	ARM, KNUCKLE 2	1	
25	90109-10643-00	BOLT	2	
26	90201-121F0-00	WASHER, PLATE	2	
27	90201-105F2-00	WASHER, PLATE	2	
28	90171-10035-00	NUT, CASTLE	2	
29	91490-25030-00	PIN, COTTER	2	

CONTENTS

ACCELERATOR	C3
AIR FILTER	A7-8
AIR SHROUD FAN	A4
BODY	C12, D1
BODY FITTING	D2-3
BRAKE	B10-12
BUMPER	C10-11
CARBURETOR	A9
CARRIER	D4-5
CDI MAGNETO	D10-11
CRANKCASE	A11
CRANKSHAFT PISTON	A3
CYLINDER HEAD CYLINDER	A2
DRUM BRAKE	C1-2
ELECTRICAL 1	D12, E1
EXHAUST	A10
FRAME	B1
FRONT SUSPENSION WHEEL	B2-4
FUEL TANK	B8-9
GENERATOR	D7-8
GOVERNOR	C4
OIL PUMP	A5
OIL TANK	B7
PRIMARY SHEAVE	C5
PUMP DRIVE GEAR	A6
REAR AXLE WHEEL	C9
REAR SHOCKS	A12
SEAT	D6
SECONDARY SHEAVE	C6
STARTER PULLEY	D9
STEERING	B5-6
TRANSMISSION	C7-8

CONTINUED ON NEXT FRAME >

FRONT SUSPENSION WHEEL



Ref. No.	Part Number	Description	Qty	Remarks
30	90214-16027-00	WASHER, CLAW	1	
31	97313-08030-00	BOLT, HEXAGON	1	
32	95303-08700-00	NUT	1	
33	J10-23516-02-00	KING PIN, STEERING KNUCKLE	2	
34	91401-30030-00	PIN, COTTER (91401-30025-00)	2	
35	95712-12300-00	NUT, NYLON	2	
36	90105-10224-00	BOLT, WASHER BASED	2	
37	95601-10200-00	NUT, SELF-LOCKING	2	
38	95822-12085-00	BOLT, FLANGE	1	
39	95601-12200-00	NUT, SELF-LOCKING	1	
40	90387-137F7-00	COLLAR	1	
41	J17-W2355-00-00	ROD, TENSION	2	
42	J10-23583-01-00	BUSH	1	
43	90105-08225-00	BOLT, WASHER BASED	2	
44	95601-08200-00	NUT, U	2	
45	90105-12226-00	BOLT, WASHER BASED	1	
46	95601-12200-00	NUT, SELF-LOCKING	1	
47	90387-137F6-00	COLLAR	1	
48	90102-12046-00	BOLT, WITH HOLE	2	
49	95601-12200-00	NUT, SELF-LOCKING	2	
50	J42-23350-00-00	SHOCK ABSORBER ASSEMBLY (J10-23350-00)	2	
51	97313-10050-00	BOLT, HEXAGON (676)	4	
52	95612-10100-00	NUT, U	4	
53	J17-W2511-00-00	HUB, FRONT	2	
54	J17-25118-00-00	COVER, HUB DUST	2	
55	93306-00511-00	BEARING	2	
56	93306-20437-00	BEARING	2	
57	95301-14900-00	NUT, SLOTTED	2	
58	90209-14219-00	WASHER, SPECIAL SHAPE	2	

CONTENTS

ACCELERATOR	C3
AIR FILTER	A7-8
AIR SHROUD FAN	A4
BODY	C12, D1
BODY FITTING	D2-3
BRAKE	B10-12
BUMPER	C10-11
CARBURETOR	A9
CARRIER	D4-5
CDI MAGNETO	D10-11
CRANKCASE	A11
CRANKSHAFT PISTON	A3
CYLINDER HEAD CYLINDER	A2
DRUM BRAKE	C1-2
ELECTRICAL 1	D12, E1
EXHAUST	A10
FRAME	B1
FRONT SUSPENSION WHEEL	B2-4
FUEL TANK	B8-9
GENERATOR	D7-8
GOVERNOR	C4
OIL PUMP	A5
OIL TANK	B7
PRIMARY SHEAVE	C5
PUMP DRIVE GEAR	A6
REAR AXLE WHEEL	C9
REAR SHOCKS	A12
SEAT	D6
SECONDARY SHEAVE	C6
STARTER PULLEY	D9
STEERING	B5-6
TRANSMISSION	C7-8

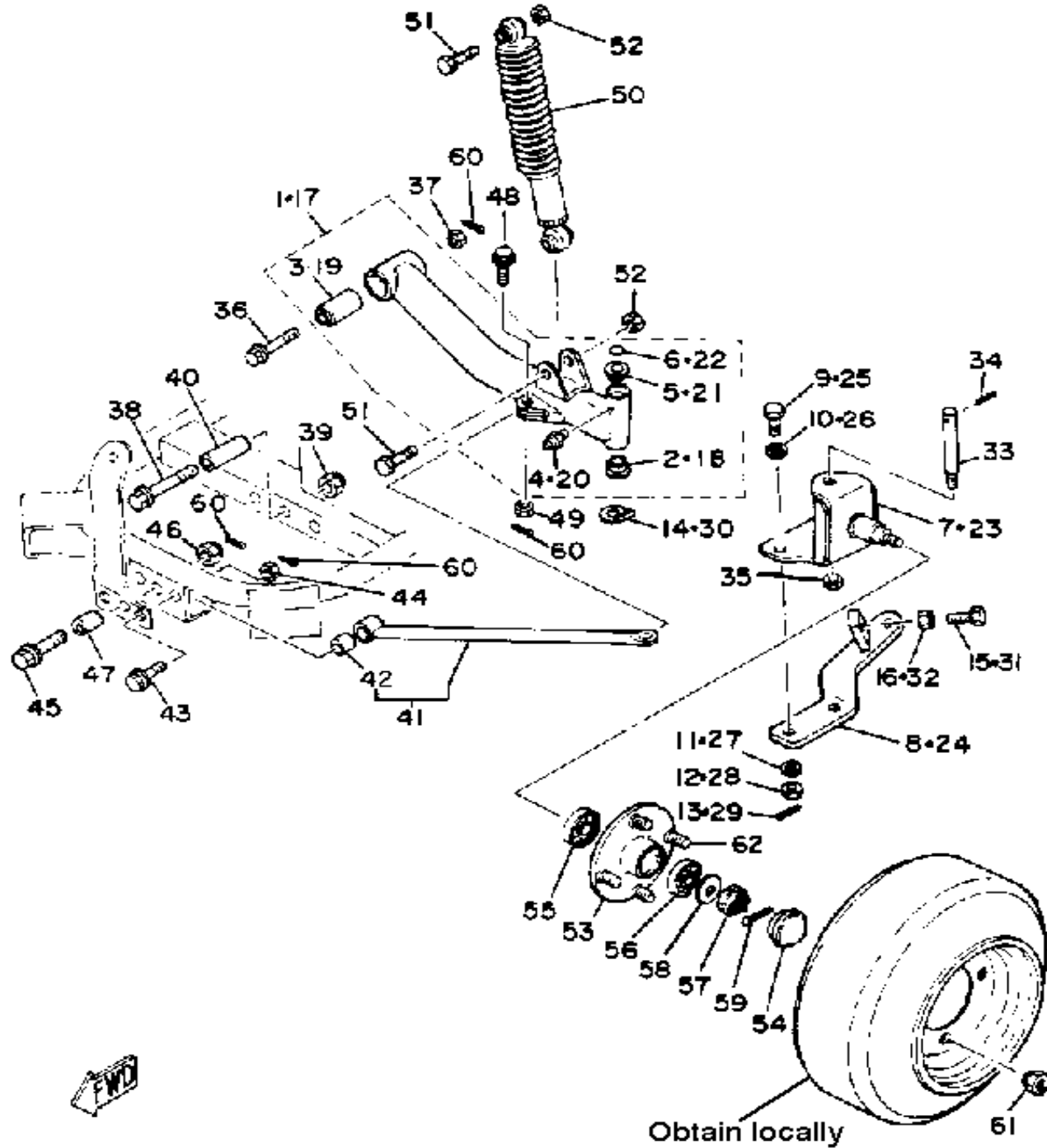
CONTINUED ON NEXT FRAME >

FRONT SUSPENSION WHEEL

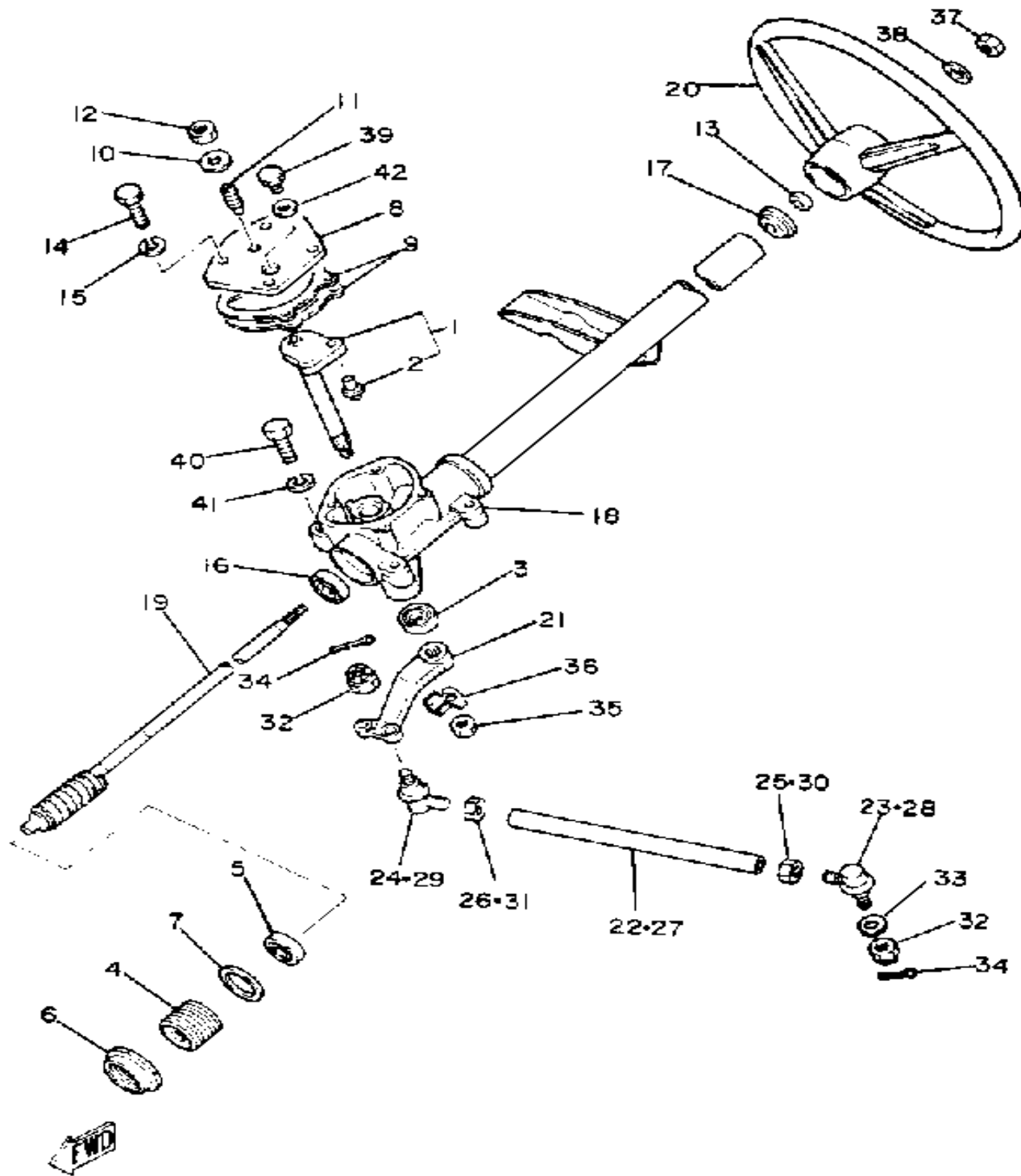
Ref. No.	Part Number	Description	Qty	Remarks
59	91401-30030-00	PIN, COTTER (91401-30025-00)	2	
60	91490-25030-00	PIN, COTTER	7	
61	90179-12262-00	NUT	8	
62	90114-12003-00	BOLT, RIBBED NECK	8	

CONTENTS

ACCELERATOR	C3
AIR FILTER	A7-8
AIR SHROUD FAN	A4
BODY	C12 ,D1
BODY FITTING	D2-3
BRAKE	B10-12
BUMPER	C10-11
CARBURETOR	A9
CARRIER	D4-5
CDI MAGNETO	D10-11
CRANKCASE	A11
CRANKSHAFT PISTON	A3
CYLINDER HEAD CYLINDER	A2
DRUM BRAKE	C1-2
ELECTRICAL 1	D12 ,E1
EXHAUST	A10
FRAME	B1
FRONT SUSPENSION WHEEL	B2-4
FUEL TANK	B8-9
GENERATOR	D7-8
GOVERNOR	C4
OIL PUMP	A5
OIL TANK	B7
PRIMARY SHEAVE	C5
PUMP DRIVE GEAR	A6
REAR AXLE WHEEL	C9
REAR SHOCKS	A12
SEAT	D6
SECONDARY SHEAVE	C6
STARTER PULLEY	D9
STEERING	B5-6
TRANSMISSION	C7-8



STEERING



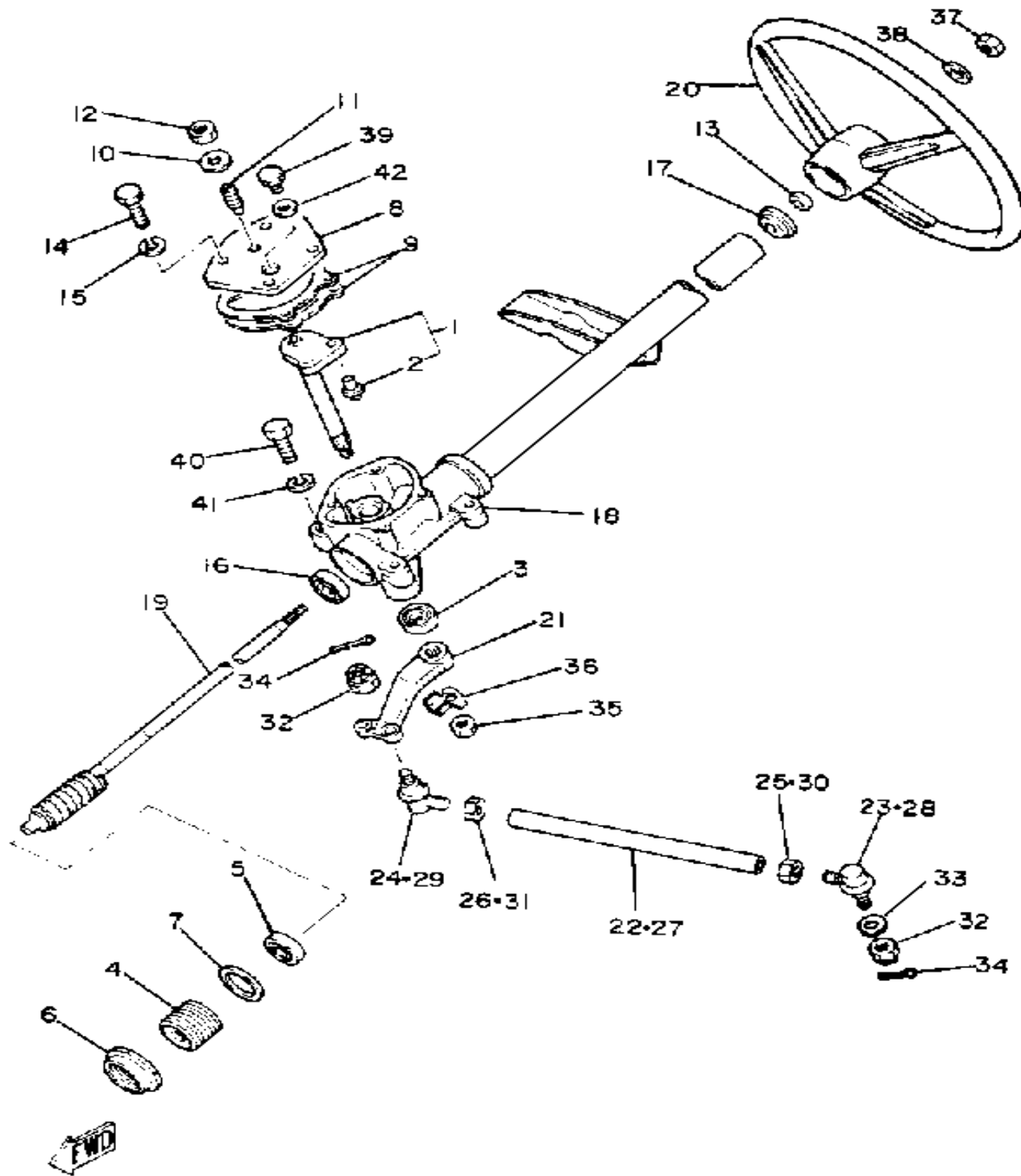
Ref. No.	Part Number	Description	Qty	Remarks
1	J10-23816-03-00	ARM, PITMAN (J10-23816-02-00)	1	
2	J10-23836-09-00	. PIN, PITMAN	2	
3	93102-22087-00	OIL SEAL	1	
4	J55-F3876-00-00	BOLT	1	
5	93332-00010-00	BEARING	1	
6	J10-23877-00-00	NUT	1	
7	J10-23444-00-00	WASHER	1	
8	J10-23818-00-00	COVER, STEERING	1	
9	J10-23462-00-00	SEAL, STEERING	2	
10	90201-08087-00	WASHER, PLATE	1	
11	J10-23459-00-00	BOLT	1	
12	90170-08024-00	NUT, HEX	1	
13	93104-15005-00	OIL SEAL, SO-TYPE	1	
14	97313-08020-00	BOLT, HEXAGON	4	
15	92990-08100-00	WASHER	4	
16	93332-00010-00	BEARING	1	
17	J10-23814-00-00	HOLDER, HANDLE UPR	1	
18	99999-01397-00	COLUMN STEERING COMP.	1	IVORY WHITE
19	J10-23840-00-00	STEERING SHAFT ASSEMBLY	1	
20	J55-F3838-00-00	WHEEL, STEERING (J10-23838-00-00)	1	
21	J17-23826-01-00	ARM, IDLER	1	
22	J10-23831-00-00	ROD, TIE	1	
23	J10-23841-10-00	JOINT, UNIVERSAL 1	1	
24	J10-23845-10-00	JOINT, UNIVERSAL 2	1	
25	90170-12054-00	NUT	1	
26	90170-12055-00	NUT	1	
27	J10-23831-00-00	ROD, TIE	1	
28	J10-23841-10-00	JOINT, UNIVERSAL 1	1	
29	J10-23845-10-00	JOINT, UNIVERSAL 2	1	

CONTENTS

ACCELERATOR	C3
AIR FILTER	A7-8
AIR SHROUD FAN	A4
BODY	C12 ,D1
BODY FITTING	D2-3
BRAKE	B10-12
BUMPER	C10-11
CARBURETOR	A9
CARRIER	D4-5
CDI MAGNETO	D10-11
CRANKCASE	A11
CRANKSHAFT PISTON	A3
CYLINDER HEAD CYLINDER	A2
DRUM BRAKE	C1-2
ELECTRICAL 1	D12 ,E1
EXHAUST	A10
FRAME	B1
FRONT SUSPENSION WHEEL	B2-4
FUEL TANK	B8-9
GENERATOR	D7-8
GOVERNOR	C4
OIL PUMP	A5
OIL TANK	B7
PRIMARY SHEAVE	C5
PUMP DRIVE GEAR	A6
REAR AXLE WHEEL	C9
REAR SHOCKS	A12
SEAT	D6
SECONDARY SHEAVE	C6
STARTER PULLEY	D9
STEERING	B5-6
TRANSMISSION	C7-8

CONTINUED ON NEXT FRAME ►

STEERING



Ref. No.	Part Number	Description	Qty	Remarks
30	90170-12054-00	NUT	1	
31	90170-12055-00	NUT	1	
32	95301-12900-00	NUT, SLOTTED	4	
33	92990-12600-00	WASHER, PLATE (92902-12600-00)	2	
34	91401-30030-00	PIN, COTTER (91401-30025-00)	4	
35	95701-16300-00	NUT, FLANGE	1	
36	90215-16161-00	WASHER, LOCK	1	
37	90185-12119-00	NUT, SELF-LOCKING	1	
38	92990-12200-00	WASHER, PLAIN	1	
39	90340-14029-00	PLUG, STRAIGHT SCREW	1	
40	97313-10050-00	BOLT, HEXAGON (676)	4	
41	92990-10100-00	WASHER, SPRING	4	
42	90430-14175-00	GASKET	1	

CONTENTS

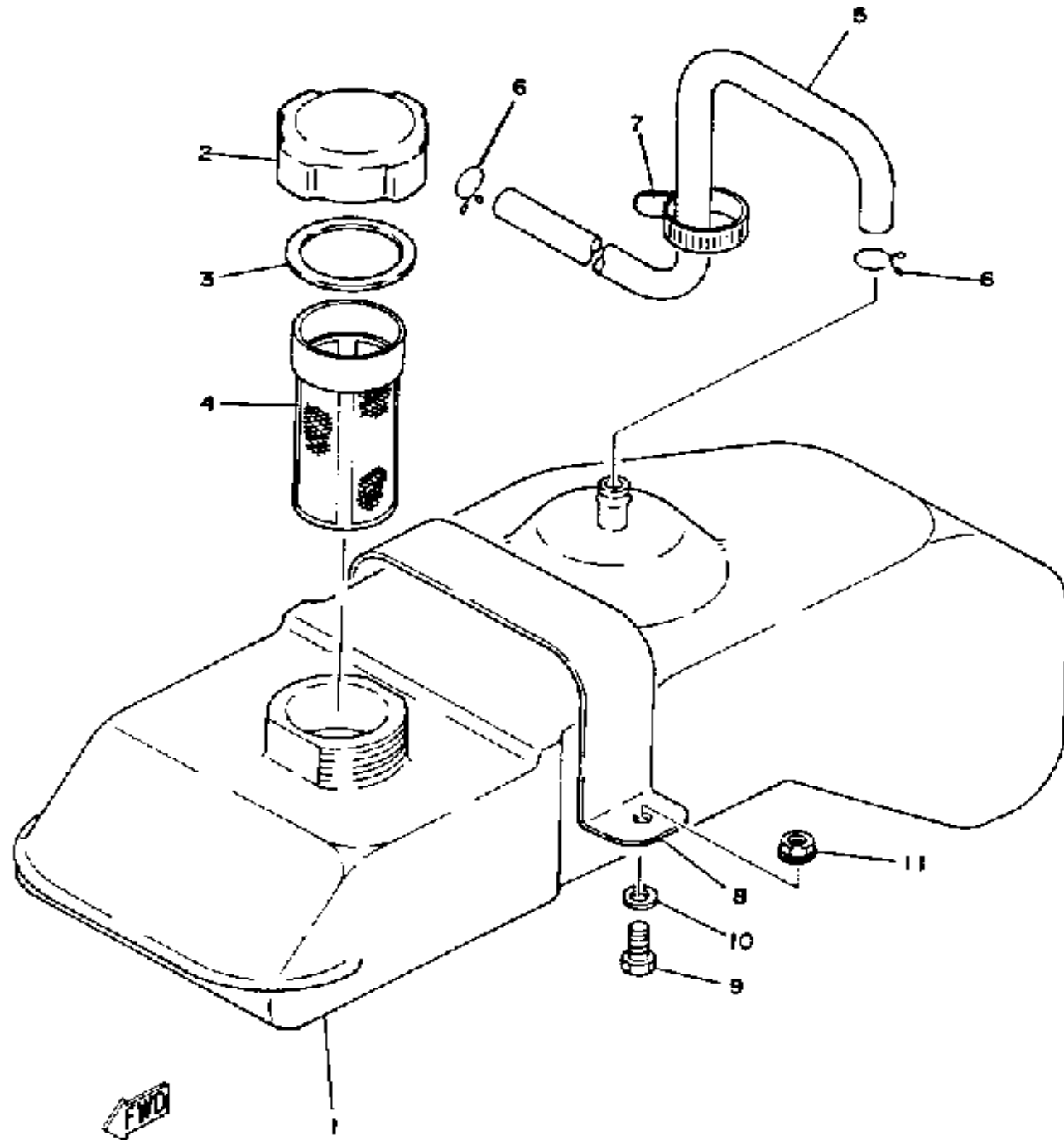
ACCELERATOR	C3
AIR FILTER	A7-8
AIR SHROUD FAN	A4
BODY	C12, D1
BODY FITTING	D2-3
BRAKE	B10-12
BUMPER	C10-11
CARBURETOR	A9
CARRIER	D4-5
CDI MAGNETO	D10-11
CRANKCASE	A11
CRANKSHAFT PISTON	A3
CYLINDER HEAD CYLINDER	A2
DRUM BRAKE	C1-2
ELECTRICAL 1	D12, E1
EXHAUST	A10
FRAME	B1
FRONT SUSPENSION WHEEL	B2-4
FUEL TANK	B8-9
GENERATOR	D7-8
GOVERNOR	C4
OIL PUMP	A5
OIL TANK	B7
PRIMARY SHEAVE	C5
PUMP DRIVE GEAR	A6
REAR AXLE WHEEL	C9
REAR SHOCKS	A12
SEAT	D6
SECONDARY SHEAVE	C6
STARTER PULLEY	D9
STEERING	B5-6
TRANSMISSION	C7-8

OIL TANK

Ref. No.	Part Number	Description	Qty	Remarks
1	J17-21751-00-00	TANK, OIL	1	
2	863-21771-00-00	BODY, CAP	1	
3	90430-31003-00	GASKET	1	
4	J17-21756-00-00	NET, FILTER	1	
5	J10-21745-00-00	PIPE, OIL TANK BREATHER ..	1	
6	90467-11009-00	CLIP	2	
7	90464-12036-00	CLAMP	1	
8	J17-21776-00-00	BAND, TANK FITTING	1	
9	97313-06016-00	BOLT, HEXAGON	2	
10	90201-063J2-00	WASHER, PLATE	2	
11	95601-06200-00	NUT, U-FLANGE	2	

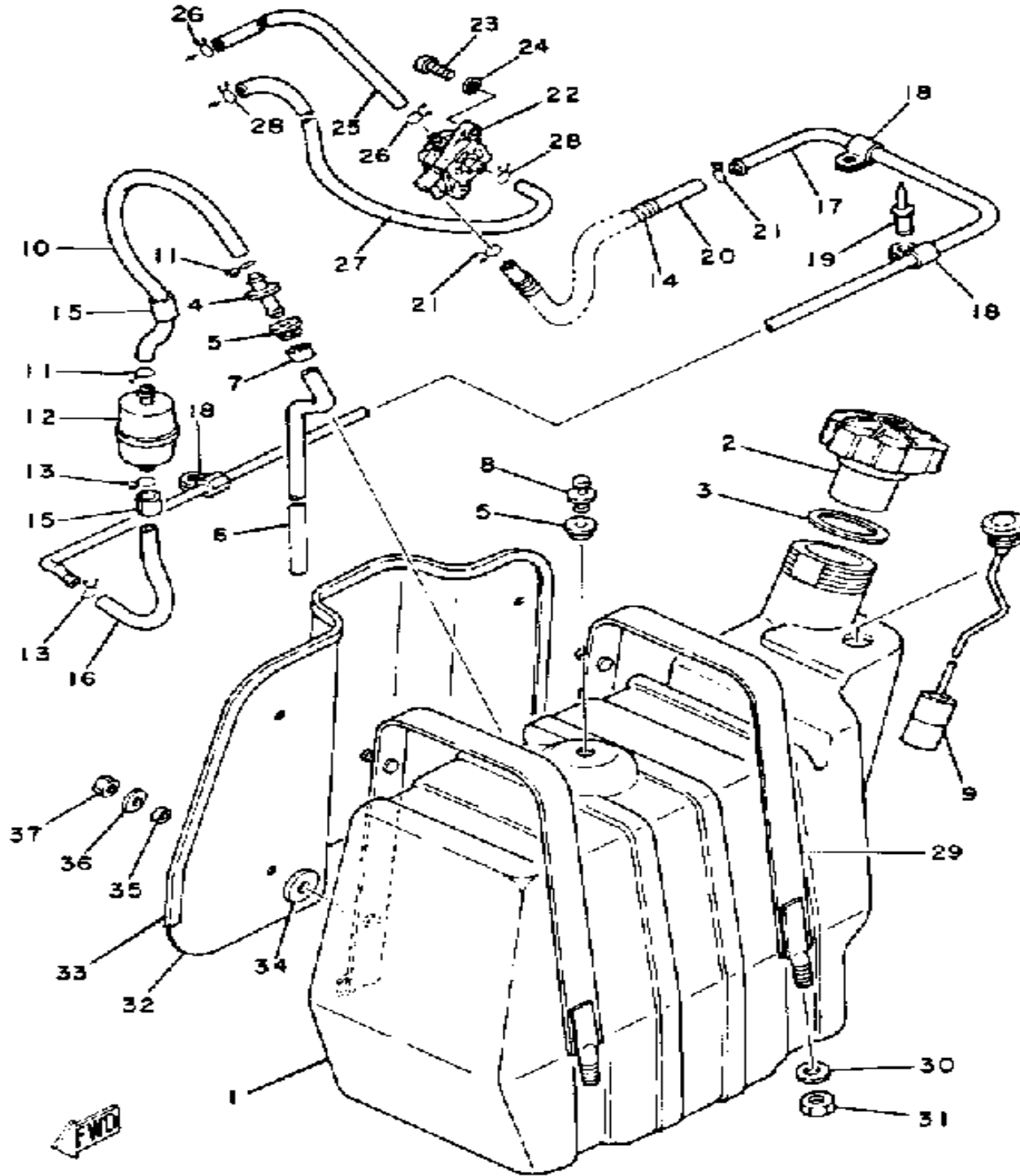
CONTENTS

ACCELERATOR	C3
AIR FILTER	A7-8
AIR SHROUD FAN	A4
BODY	C12, D1
BODY FITTING	D2-3
BRAKE	B10-12
BUMPER	C10-11
CARBURETOR	A9
CARRIER	D4-5
CDI MAGNETO	D10-11
CRANKCASE	A11
CRANKSHAFT PISTON	A3
CYLINDER HEAD CYLINDER	A2
DRUM BRAKE	C1-2
ELECTRICAL 1	D12, E1
EXHAUST	A10
FRAME	B1
FRONT SUSPENSION WHEEL	B2-4
FUEL TANK	B8-9
GENERATOR	D7-8
GOVERNOR	C4
OIL PUMP	A5
OIL TANK	B7
PRIMARY SHEAVE	C5
PUMP DRIVE GEAR	A6
REAR AXLE WHEEL	C9
REAR SHOCKS	A12
SEAT	D6
SECONDARY SHEAVE	C6
STARTER PULLEY	D9
STEERING	B5-6
TRANSMISSION	C7-8



B7

FUEL TANK



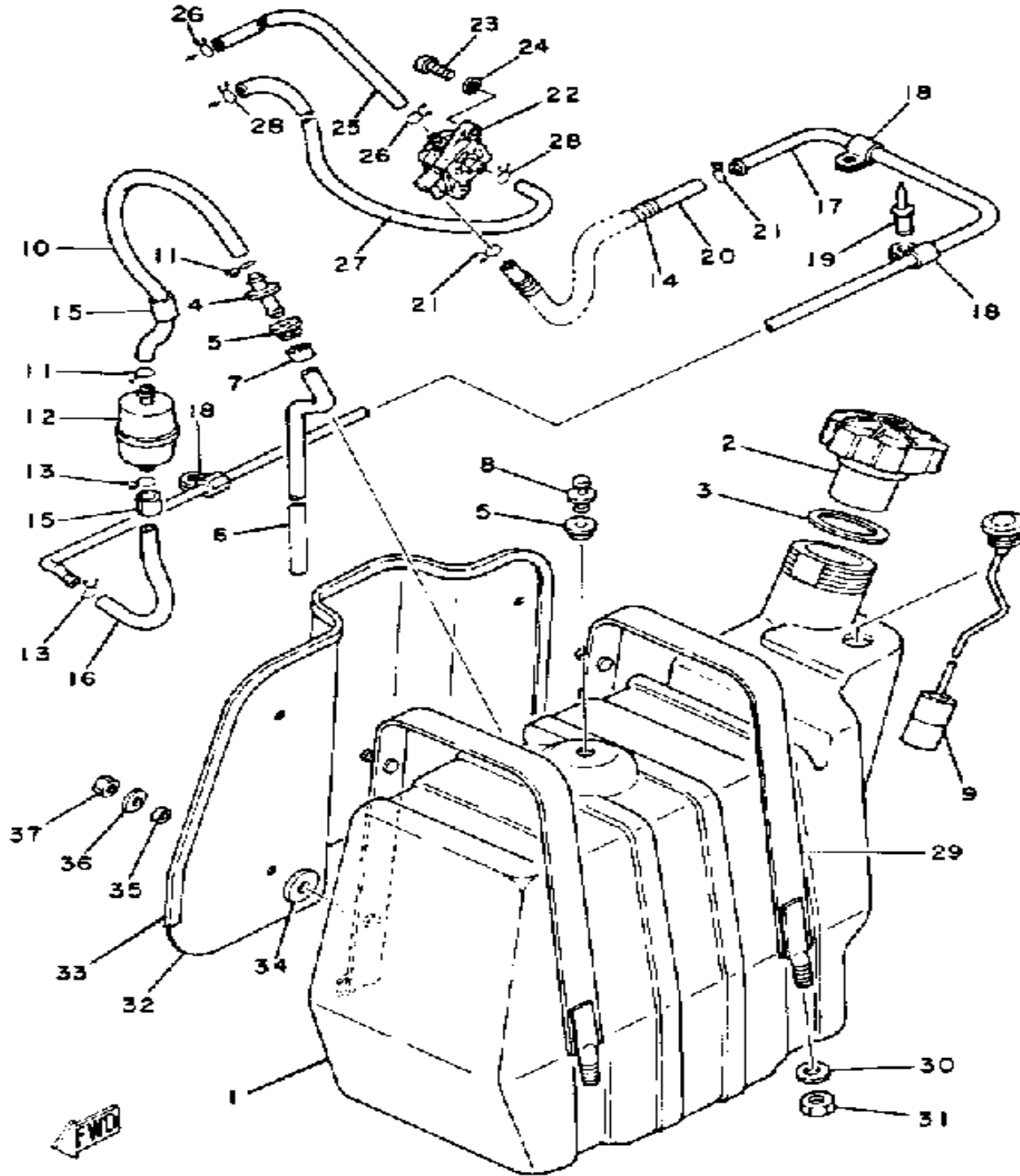
Ref. No.	Part Number	Description	Qty	Remarks
1	J17-24111-00-00	FUEL TANK	1	
2	J24-24620-01-00	BODY CAP ASSEMBLY	1	
3	J10-24612-00-00	GASKET, CAP	1	
4	J10-24461-00-00	PIPE, JOINT	1	
5	J10-21773-00-00	GROMMET	2	
6	J10-24311-00-00	PIPE, FUEL 1	1	
7	90468-04092-00	CLIP	1	
8	J10-21744-00-00	BREATHER (NOT AVAILABLE)	1	
9	J17-85710-01-00	FUEL LEVEL GAUGE ASSEMBLY (J17-85710-00-00) ..	1	
10	J10-24312-00-00	PIPE 2	1	
11	90467-11009-00	CLIP	2	
12	809-24560-01-00	FILTER ASSEMBLY	1	
13	90467-11009-00	CLIP	2	
14	90501-08486-00	SPRING, COMPRESSION	1	
15	J10-24366-00-00	CLAMP, FUEL PIPE 1	2	
16	90445-11288-00	HOSE	1	
17	J10-24313-00-00	PIPE 3	1	
18	90461-04011-00	CLAMP	3	
19	90267-40054-00	RIVET, BLIND	3	
20	90445-11491-00	HOSE	1	
21	90467-11009-00	CLIP	2	
22	J10-24410-02-00	FUEL PUMP ASSEMBLY	1	
23	98580-06018-00	SCREW, PAN HEAD (N15)	2	
24	92995-06100-00	WASHER, SPRING (92990-06100-00)	2	
25	90445-09069-00	HOSE	1	
26	90467-08017-00	CLIP	2	
27	90445-10449-00	HOSE	1	
28	90467-09006-00	CLIP	2	
29	J17-24173-00-00	BAND, TANK FITTING 1	2	

CONTENTS

ACCELERATOR	C3
AIR FILTER	A7-8
AIR SHROUD FAN	A4
BODY	C12, D1
BODY FITTING	D2-3
BRAKE	B10-12
BUMPER	C10-11
CARBURETOR	A9
CARRIER	D4-5
CDI MAGNETO	D10-11
CRANKCASE	A11
CRANKSHAFT PISTON	A3
CYLINDER HEAD CYLINDER	A2
DRUM BRAKE	C1-2
ELECTRICAL 1	D12, E1
EXHAUST	A10
FRAME	B1
FRONT SUSPENSION WHEEL	B2-4
FUEL TANK	B8-9
GENERATOR	D7-8
GOVERNOR	C4
OIL PUMP	A5
OIL TANK	B7
PRIMARY SHEAVE	C5
PUMP DRIVE GEAR	A6
REAR AXLE WHEEL	C9
REAR SHOCKS	A12
SEAT	D6
SECONDARY SHEAVE	C6
STARTER PULLEY	D9
STEERING	B5-6
TRANSMISSION	C7-8

CONTINUED ON NEXT FRAME >

FUEL TANK

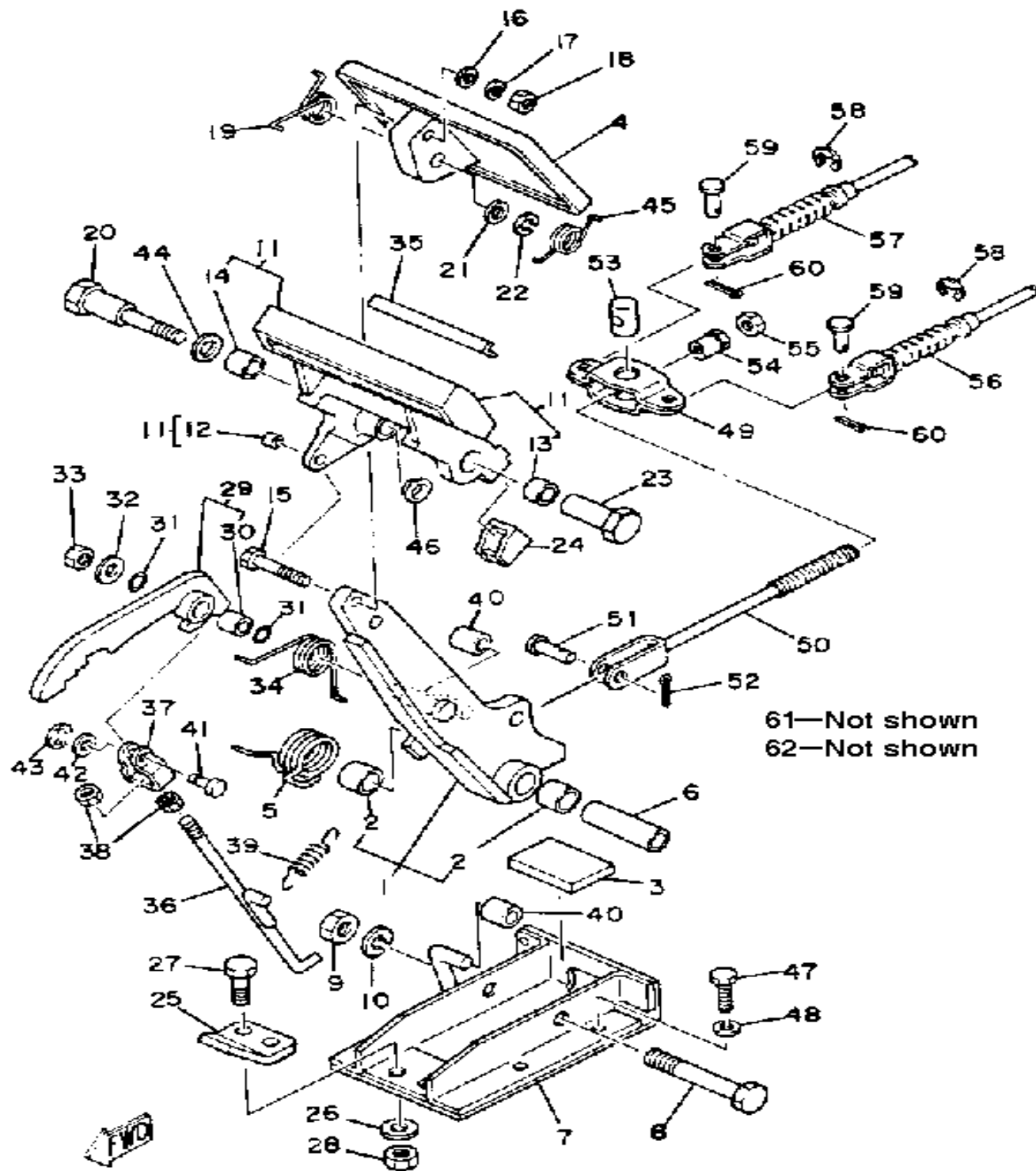


Ref. No.	Part Number	Description	Qty	Remarks
30	90201-08107-00	WASHER, PLATE	2	
31	95611-08100-00	NUT, U	2	
32	J17-24129-01-00	COVER, SIDE 1	1	
33	J17-2414H-00-00	TRIM, COVER PANEL	1	
34	90202-08111-00	WASHER, PLATE	4	
35	90387-060U2-00	COLLAR	4	
36	90201-06067-00	WASHER, PLATE	4	
37	95601-06100-00	NUT, U	4	

CONTENTS

ACCELERATOR	C3
AIR FILTER	A7-8
AIR SHROUD FAN	A4
BODY	C12, D1
BODY FITTING	D2-3
BRAKE	B10-12
BUMPER	C10-11
CARBURETOR	A9
CARRIER	D4-5
CDI MAGNETO	D10-11
CRANKCASE	A11
CRANKSHAFT PISTON	A3
CYLINDER HEAD CYLINDER	A2
DRUM BRAKE	C1-2
ELECTRICAL 1	D12, E1
EXHAUST	A10
FRAME	B1
FRONT SUSPENSION WHEEL	B2-4
FUEL TANK	B8-9
GENERATOR	D7-8
GOVERNOR	C4
OIL PUMP	A5
OIL TANK	B7
PRIMARY SHEAVE	C5
PUMP DRIVE GEAR	A6
REAR AXLE WHEEL	C9
REAR SHOCKS	A12
SEAT	D6
SECONDARY SHEAVE	C6
STARTER PULLEY	D9
STEERING	B5-6
TRANSMISSION	C7-8

BRAKE



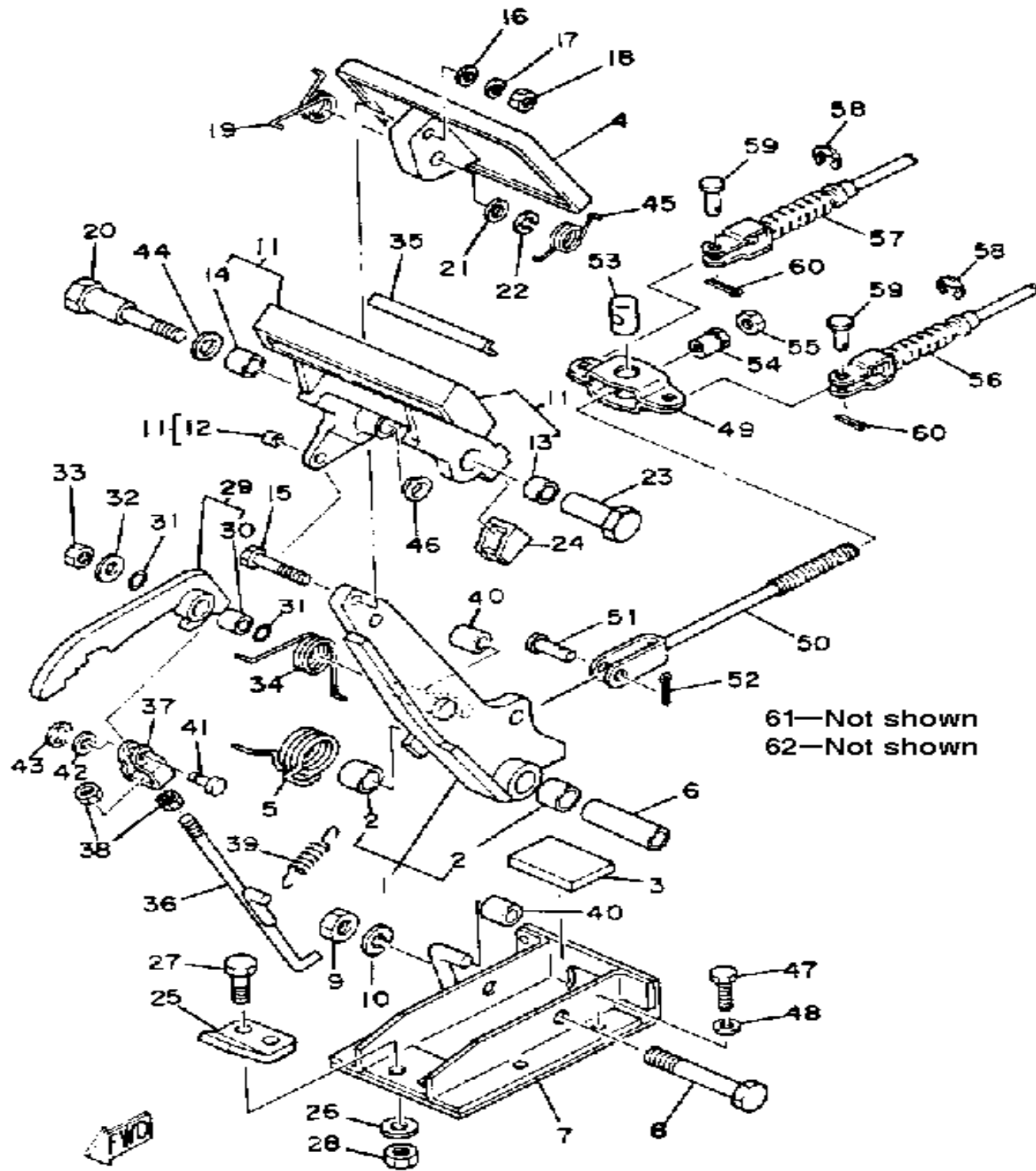
Ref. No.	Part Number	Description	Qty	Remarks
1	J17-27250-03-00	BRAKE ARM COMP.	1	ORDER REF NOS. 61 & 62
2	90384-14080-00	. BUSH, BIMETAL FORMED ...	2	
3	J17-27245-00-00	PAD, BRAKE PEDAL	1	
4	J10-27211-00-00	PEDAL, BRAKE	1	
5	90508-40543-00	SPRING, TORSION	1	
6	90387-107F8-00	COLLAR	1	
7	J17-25654-00-00	BRACKET, PEDAL	1	
8	90101-10447-00	BOLT, HEX	1	
9	95601-10100-00	NUT, U (95602-10100-00)	1	
10	92990-10100-00	WASHER, SPRING	1	
11	99999-01799-00	PARKING PEDAL COMP. (J17-25670-00-00)	1	
12	90384-05163-00	. BUSH, BIMETAL	1	
13	90384-12164-00	. BUSH, BIMETAL	1	
14	90380-12051-00	. BUSH, SOLID	1	
15	90101-06555-00	BOLT, HEX	1	
16	92990-06200-00	WASHER	1	
17	92995-06100-00	WASHER, SPRING (92990-06100-00)	1	
18	95380-06600-00	NUT (95303-06600-00)	1	
19	90508-23542-00	SPRING, TORSION	1	
20	90109-08669-00	BOLT	1	
21	92990-08200-00	WASHER, PLAIN (92902-08100-00)	1	
22	92990-08100-00	WASHER	1	
23	90179-08378-00	NUT	1	
24	J17-25679-01-00	DAMPER	1	
25	J17-27246-00-00	NAIL, BRAKE	1	
26	92990-08200-00	WASHER, PLAIN (92902-08100-00)	2	

CONTENTS

ACCELERATOR	C3
AIR FILTER	A7-8
AIR SHROUD FAN	A4
BODY	C12, D1
BODY FITTING	D2-3
BRAKE	B10-12
BUMPER	C10-11
CARBURETOR	A9
CARRIER	D4-5
CDI MAGNETO	D10-11
CRANKCASE	A11
CRANKSHAFT PISTON	A3
CYLINDER HEAD CYLINDER	A2
DRUM BRAKE	C1-2
ELECTRICAL 1	D12, E1
EXHAUST	A10
FRAME	B1
FRONT SUSPENSION WHEEL	B2-4
FUEL TANK	B8-9
GENERATOR	D7-8
GOVERNOR	C4
OIL PUMP	A5
OIL TANK	B7
PRIMARY SHEAVE	C5
PUMP DRIVE GEAR	A6
REAR AXLE WHEEL	C9
REAR SHOCKS	A12
SEAT	D6
SECONDARY SHEAVE	C6
STARTER PULLEY	D9
STEERING	B5-6
TRANSMISSION	C7-8

CONTINUED ON NEXT FRAME ►

BRAKE



Ref. No.	Part Number	Description	Qty	Remarks
27	97013-08025-00	BOLT	2	
28	95611-08100-00	NUT, U	2	
29	J17-W2561-00-00	SECTOR, PARKING BRAKE	1	
30	90384-10162-00	BUSH, BIMETAL FORMED	1	
31	93210-10166-00	O-RING	2	
32	90201-065F3-00	WASHER, PLATE	1	
33	95601-06100-00	NUT, U	1	
34	90508-14548-00	SPRING, TORSION	1	
35	J17-25672-01-00	PAD, PARKING PEDAL	1	
36	J17-27231-02-00	ROD, BRAKE	1	
37	J17-27232-00-00	END, ROD 2	1	
38	95380-06700-00	NUT	2	
39	90506-12277-00	SPRING, TENSION	1	
40	J17-25673-00-00	DAMPER, BRAKE	2	
41	J17-27228-00-00	PIN, JOINT	1	
42	92901-05600-00	WASHER, PLATE	1	
43	99080-04600-00	CIRCLIP (E)	1	
44	90201-123F2-00	WASHER, PLAIN	1	
45	90508-26557-00	SPRING, TORSION	1	
46	90380-12105-00	BUSH, SOLID	1	
47	97011-06016-00	BOLT	4	
48	92995-06100-00	WASHER, SPRING (92990-06100-00)	4	
49	J10-25681-00-00	EQUALIZER, BRAKE	1	
50	J20-25685-00-00	ROD	1	
51	91701-10022-00	PIN, CLEVIS	1	
52	91490-30020-00	PIN, COTTER	1	
53	90249-14129-00	PIN	1	
54	90179-08261-00	NUT	1	
55	95303-08700-00	NUT	1	

CONTENTS

ACCELERATOR	C3
AIR FILTER	A7-8
AIR SHROUD FAN	A4
BODY	C12, D1
BODY FITTING	D2-3
BRAKE	B10-12
BUMPER	C10-11
CARBURETOR	A9
CARRIER	D4-5
CDI MAGNETO	D10-11
CRANKCASE	A11
CRANKSHAFT PISTON	A3
CYLINDER HEAD CYLINDER	A2
DRUM BRAKE	C1-2
ELECTRICAL 1	D12, E1
EXHAUST	A10
FRAME	B1
FRONT SUSPENSION WHEEL	B2-4
FUEL TANK	B8-9
GENERATOR	D7-8
GOVERNOR	C4
OIL PUMP	A5
OIL TANK	B7
PRIMARY SHEAVE	C5
PUMP DRIVE GEAR	A6
REAR AXLE WHEEL	C9
REAR SHOCKS	A12
SEAT	D6
SECONDARY SHEAVE	C6
STARTER PULLEY	D9
STEERING	B5-6
TRANSMISSION	C7-8

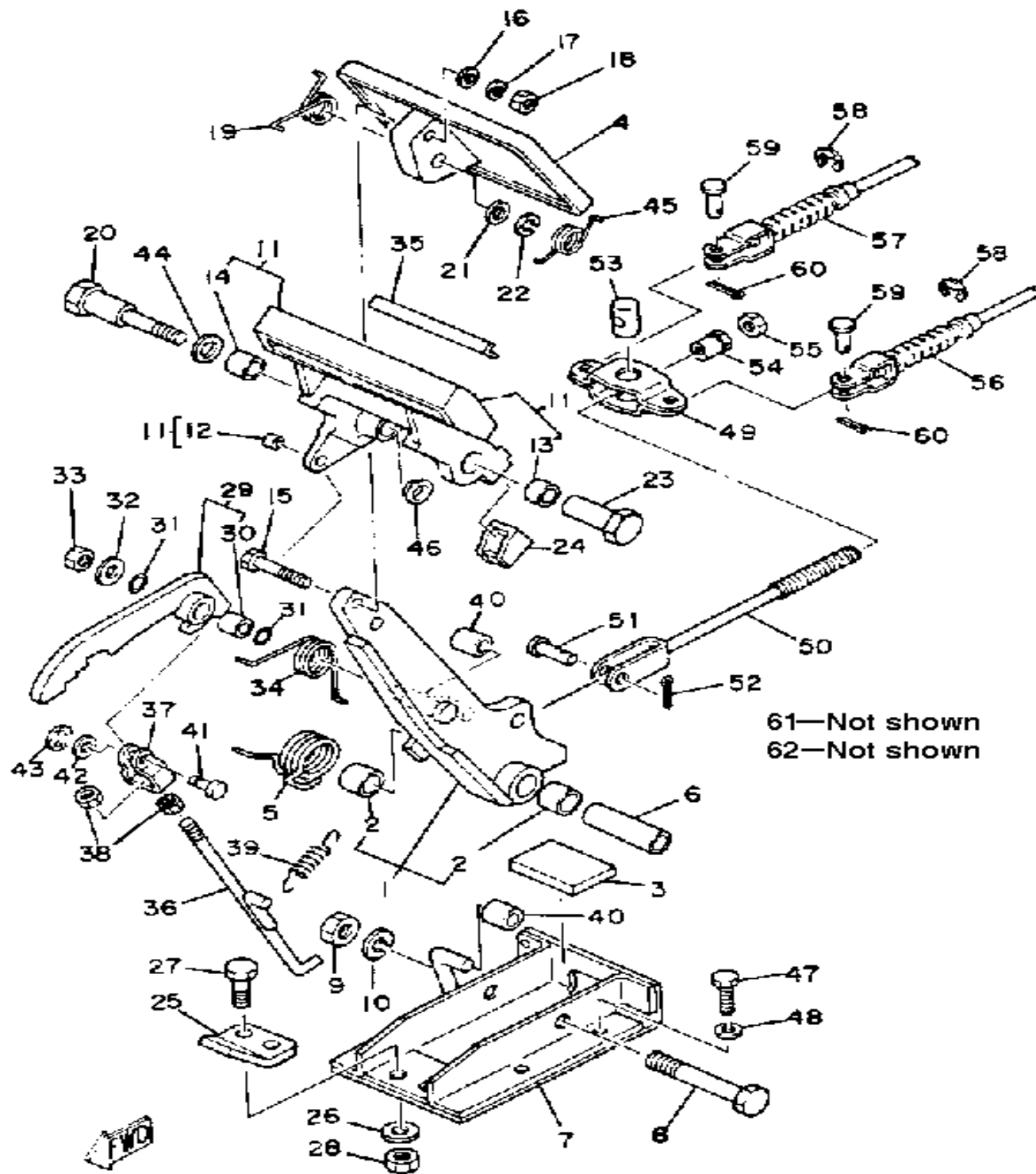
CONTINUED ON NEXT FRAME >

BRAKE

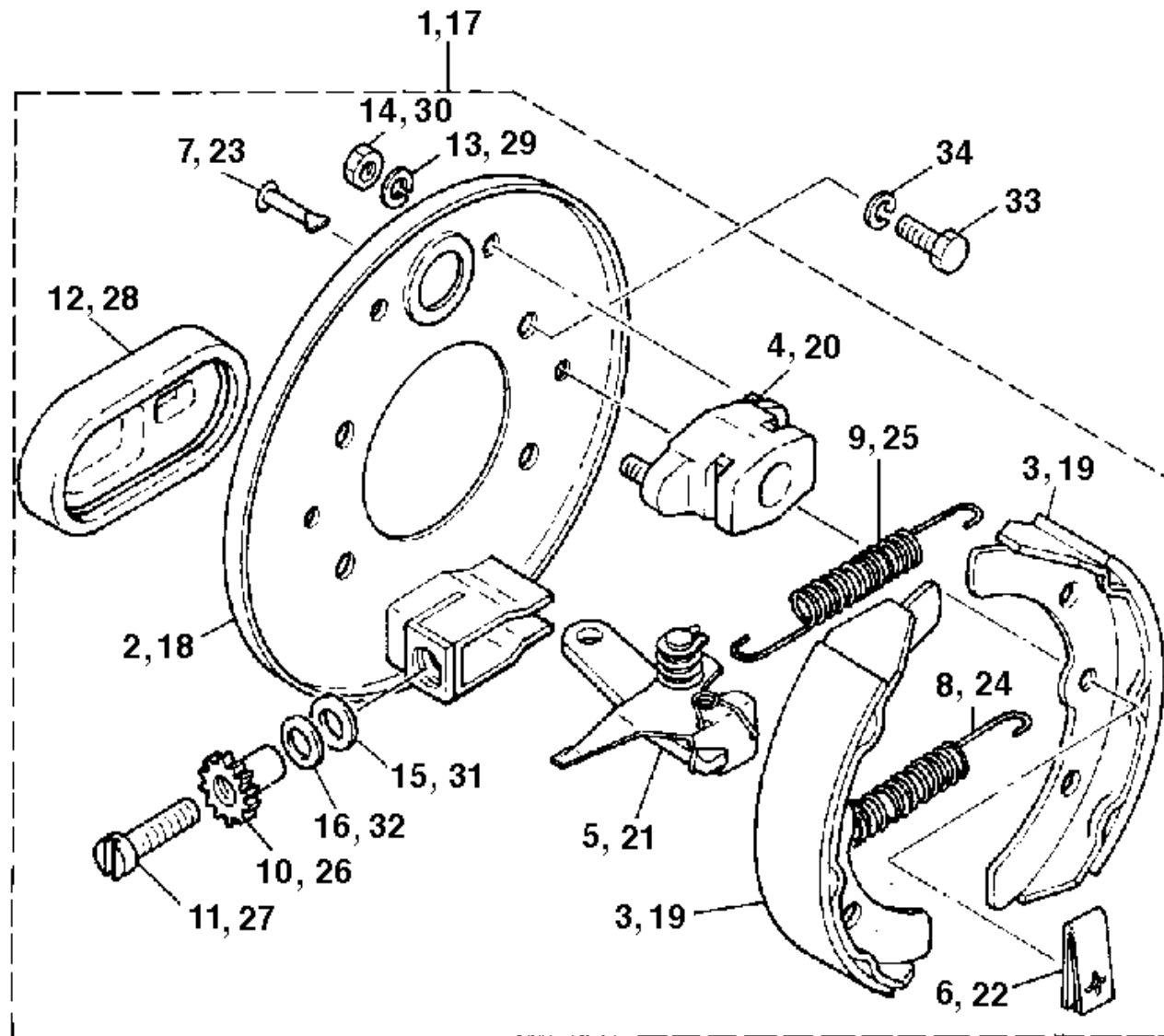
Ref. No.	Part Number	Description	Qty	Remarks
56	J56-F6341-00-00	CABLE, BRAKE	1	
57	J56-F6351-00-00	CABLE, BRAKE	1	
58	99001-09600-00	CIRCLIP	4	
59	91701-08018-00	PIN, CLEVIS	4	
60	91490-25020-00	PIN, COTTER	4	
61	99080-07600-00	CIRCLIP (E)	1	NOT SHOWN
62	92990-10600-00	WASHER, PLATE	1	NOT SHOWN

CONTENTS

ACCELERATOR	C3
AIR FILTER	A7-8
AIR SHROUD FAN	A4
BODY	C12, D1
BODY FITTING	D2-3
BRAKE	B10-12
BUMPER	C10-11
CARBURETOR	A9
CARRIER	D4-5
CDI MAGNETO	D10-11
CRANKCASE	A11
CRANKSHAFT PISTON	A3
CYLINDER HEAD CYLINDER	A2
DRUM BRAKE	C1-2
ELECTRICAL 1	D12, E1
EXHAUST	A10
FRAME	B1
FRONT SUSPENSION WHEEL	B2-4
FUEL TANK	B8-9
GENERATOR	D7-8
GOVERNOR	C4
OIL PUMP	A5
OIL TANK	B7
PRIMARY SHEAVE	C5
PUMP DRIVE GEAR	A6
REAR AXLE WHEEL	C9
REAR SHOCKS	A12
SEAT	D6
SECONDARY SHEAVE	C6
STARTER PULLEY	D9
STEERING	B5-6
TRANSMISSION	C7-8



DRUM BRAKE



J31100-4170

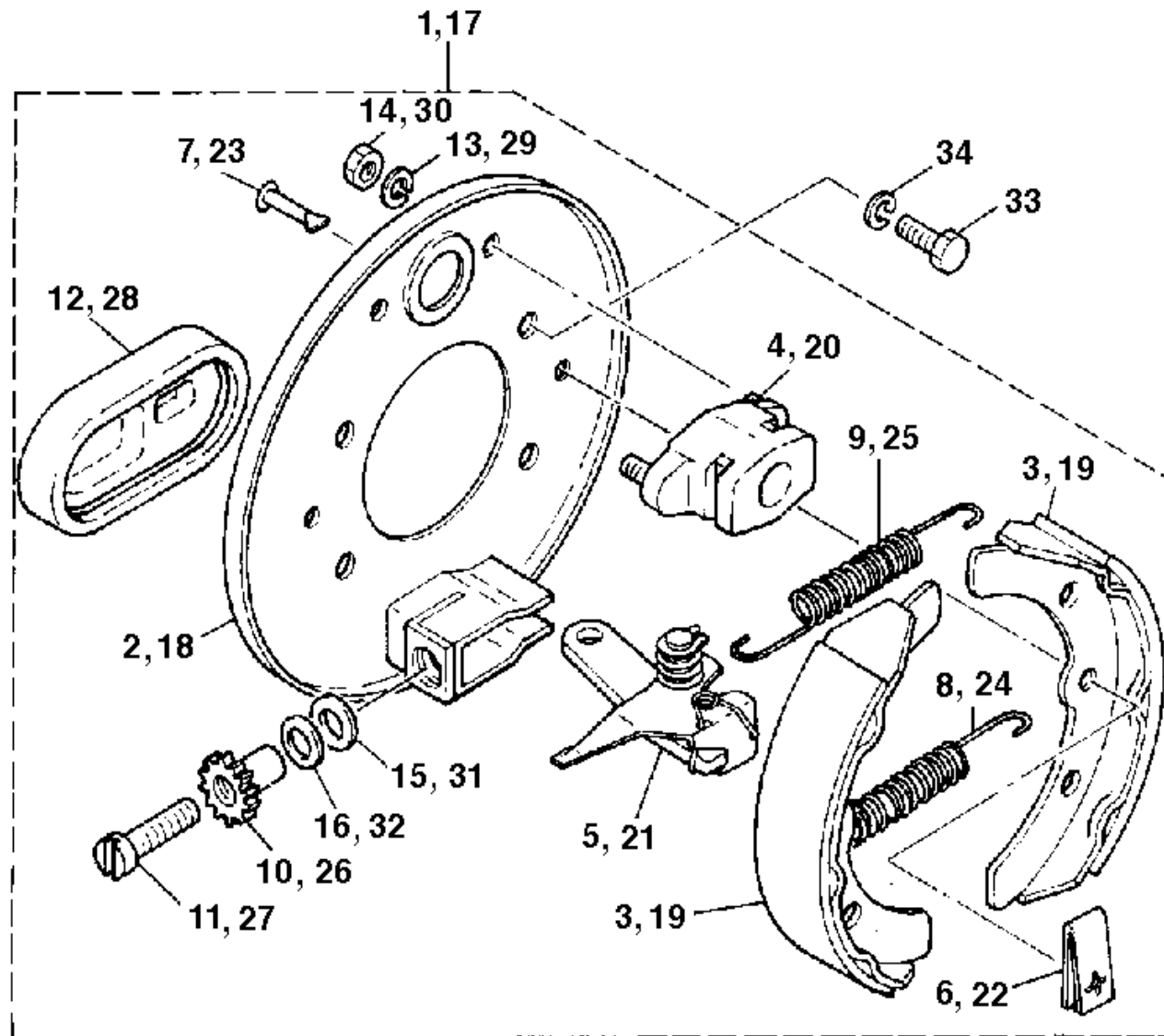
Ref. No.	Part Number	Description	Qty	Remarks
1	J17-27280-01-00	BACKING PLATE ASSEMBLY 1	1	RH SIDE
2	J17-27208-00-00	. BACKING PLATE SUB ASSEMBLY R.H	1	
3	J55-W2536-00-00	. BRAKE SHOE SET	1	
4	J17-27206-00-00	. ANCHOR BODY COMP.	1	
5	J17-27204-01-00	. LEVER ASSEMBLY 1	1	
6	J10-27281-00-00	. SPRING, SHOE CLAMP	2	
7	J10-27282-00-00	. PIN, SHOE HOLD DOWN	2	
8	90506-20281-00	. SPRING, TENSION	1	
9	90506-26191-00	. SPRING, TENSION	1	
10	J17-27238-00-00	. NUT, ADJUSTING	1	
11	90109-08657-00	. BOLT	1	
12	J10-27286-00-00	. COVER, DUST	1	
13	92995-06100-00	. WASHER, SPRING (92990-06100-00)	2	
14	95380-06600-00	. NUT (95303-06600-00)	2	
15	90201-121H8-00	. WASHER, PLATE	1	
16	90201-121H9-00	. WASHER, PLATE	1	
17	J17-27290-01-00	BACKING PLATE ASSEMBLY 2	1	LH SIDE
18	J17-27209-00-00	. BACKING PLATE SUB ASSEMBLY 2 (L.H)	1	
19	J55-W2536-00-00	. BRAKE SHOE SET	1	
20	J17-27206-00-00	. ANCHOR BODY COMP.	1	
21	J17-27205-01-00	. LEVER ASSEMBLY 2	1	
22	J10-27281-00-00	. SPRING, SHOE CLAMP	2	
23	J10-27282-00-00	. PIN, SHOE HOLD DOWN	2	
24	90506-20281-00	. SPRING, TENSION	1	
25	90506-26191-00	. SPRING, TENSION	1	
26	J17-27258-00-00	. NUT, ADJUSTING	1	
27	90109-08659-00	. BOLT	1	
28	J10-27286-00-00	. COVER, DUST	1	

CONTENTS

ACCELERATOR	C3
AIR FILTER	A7-8
AIR SHROUD FAN	A4
BODY	C12, D1
BODY FITTING	D2-3
BRAKE	B10-12
BUMPER	C10-11
CARBURETOR	A9
CARRIER	D4-5
CDI MAGNETO	D10-11
CRANKCASE	A11
CRANKSHAFT PISTON	A3
CYLINDER HEAD CYLINDER	A2
DRUM BRAKE	C1-2
ELECTRICAL 1	D12, E1
EXHAUST	A10
FRAME	B1
FRONT SUSPENSION WHEEL	B2-4
FUEL TANK	B8-9
GENERATOR	D7-8
GOVERNOR	C4
OIL PUMP	A5
OIL TANK	B7
PRIMARY SHEAVE	C5
PUMP DRIVE GEAR	A6
REAR AXLE WHEEL	C9
REAR SHOCKS	A12
SEAT	D6
SECONDARY SHEAVE	C6
STARTER PULLEY	D9
STEERING	B5-6
TRANSMISSION	C7-8

CONTINUED ON NEXT FRAME >

DRUM BRAKE



Ref. No.	Part Number	Description	Qty	Remarks
29	92995-06100-00	. WASHER, SPRING (92990-06100-00)	2	
30	95380-06600-00	. NUT (95303-06600-00)	2	
31	90201-121H8-00	. WASHER, PLATE	1	
32	90201-121H9-00	. WASHER, PLATE	1	
33	97313-08016-00	BOLT, HEXAGON	8	
34	92990-08100-00	WASHER	8	

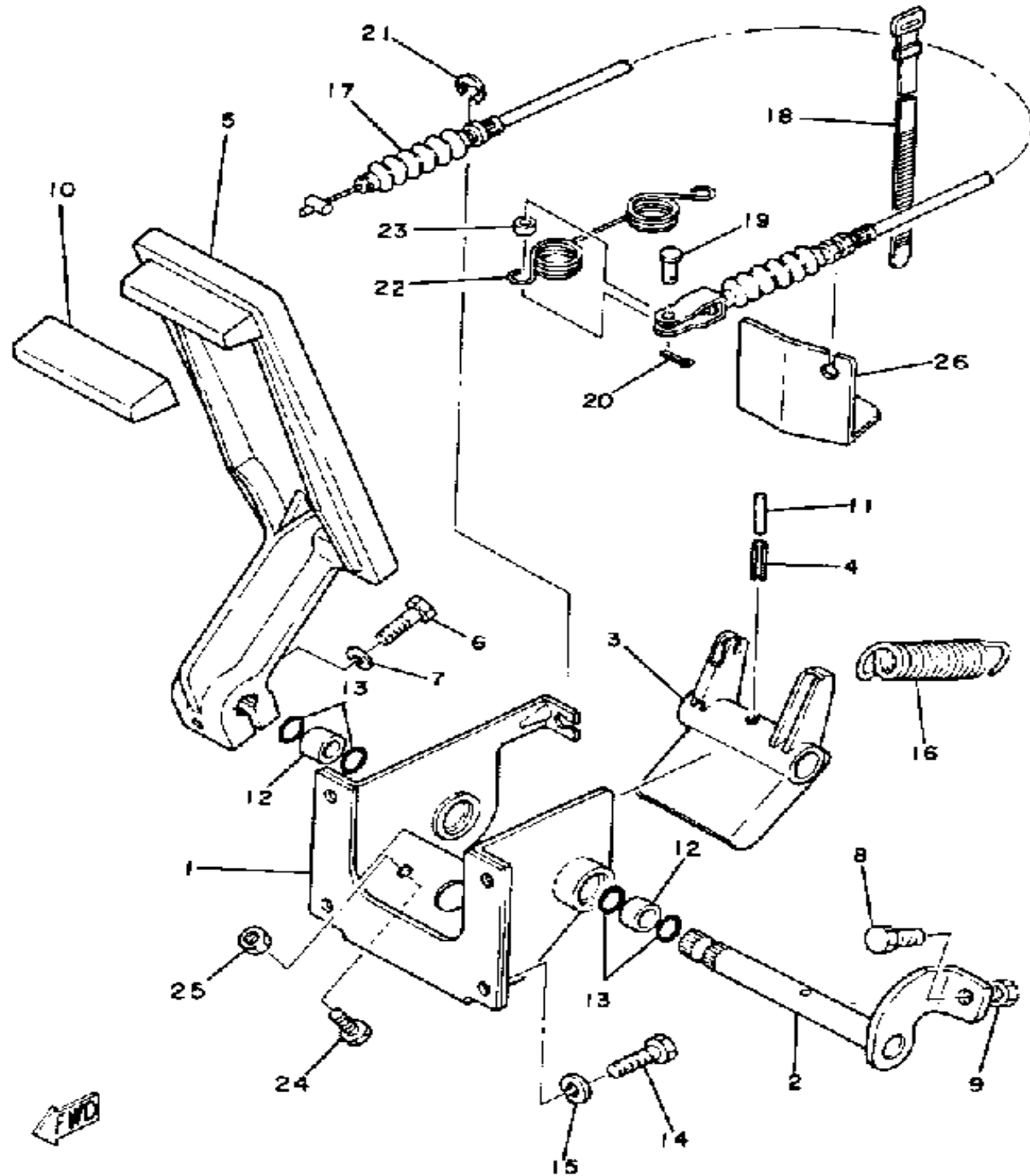
CONTENTS

ACCELERATOR	C3
AIR FILTER	A7-8
AIR SHROUD FAN	A4
BODY	C12, D1
BODY FITTING	D2-3
BRAKE	B10-12
BUMPER	C10-11
CARBURETOR	A9
CARRIER	D4-5
CDI MAGNETO	D10-11
CRANKCASE	A11
CRANKSHAFT PISTON	A3
CYLINDER HEAD CYLINDER	A2
DRUM BRAKE	C1-2
ELECTRICAL 1	D12, E1
EXHAUST	A10
FRAME	B1
FRONT SUSPENSION WHEEL	B2-4
FUEL TANK	B8-9
GENERATOR	D7-8
GOVERNOR	C4
OIL PUMP	A5
OIL TANK	B7
PRIMARY SHEAVE	C5
PUMP DRIVE GEAR	A6
REAR AXLE WHEEL	C9
REAR SHOCKS	A12
SEAT	D6
SECONDARY SHEAVE	C6
STARTER PULLEY	D9
STEERING	B5-6
TRANSMISSION	C7-8



J31100-4170

ACCELERATOR



Ref. No.	Part Number	Description	Qty	Remarks
1	J17-27874-00-00	BRACKET, ACCELERATOR PEDAL	1	
2	J17-27853-00-00	SHAFT, PEDAL 1	1	
3	J17-27872-00-00	ARM, ACCELERATOR PEDAL .	1	
4	91609-60025-00	PIN, SPRING	1	
5	JF3-27871-00-00	PEDAL, ACCELERATOR	1	
6	97011-06025-00	BOLT (97001-06025-00)	1	
7	92995-06100-00	WASHER, SPRING (92990-06100-00)	1	
8	90106-08040-00	BOLT	1	
9	95303-08700-00	NUT	1	
10	J10-27852-00-00	CUP 1	1	
11	91609-35028-00	PIN, SPRING	1	
12	90384-14080-00	BUSH, BIMETAL FORMED	2	
13	93210-14104-00	O-RING	4	
14	97301-06014-00	BOLT, HEXAGON	4	
15	92995-06100-00	WASHER, SPRING (92990-06100-00)	4	
16	90506-26282-00	SPRING, TENSION	1	
17	J17-26311-00-00	CABLE, THROTTLE 1	1	
18	25G-83936-01-00	BAND, SWITCH CORD	1	
19	91702-05012-00	PIN	1	
20	91490-16020-00	PIN, COTTER	1	
21	99080-07600-00	CIRCLIP (E)	1	
22	90508-16460-00	SPRING, TORSION	1	
23	90560-05001-00	SPACER	1	
24	97011-06025-00	BOLT (97001-06025-00)	1	
25	95380-06700-00	NUT	1	
26	J10-27981-00-00	BRACKET, THROTTLE	1	

CONTENTS

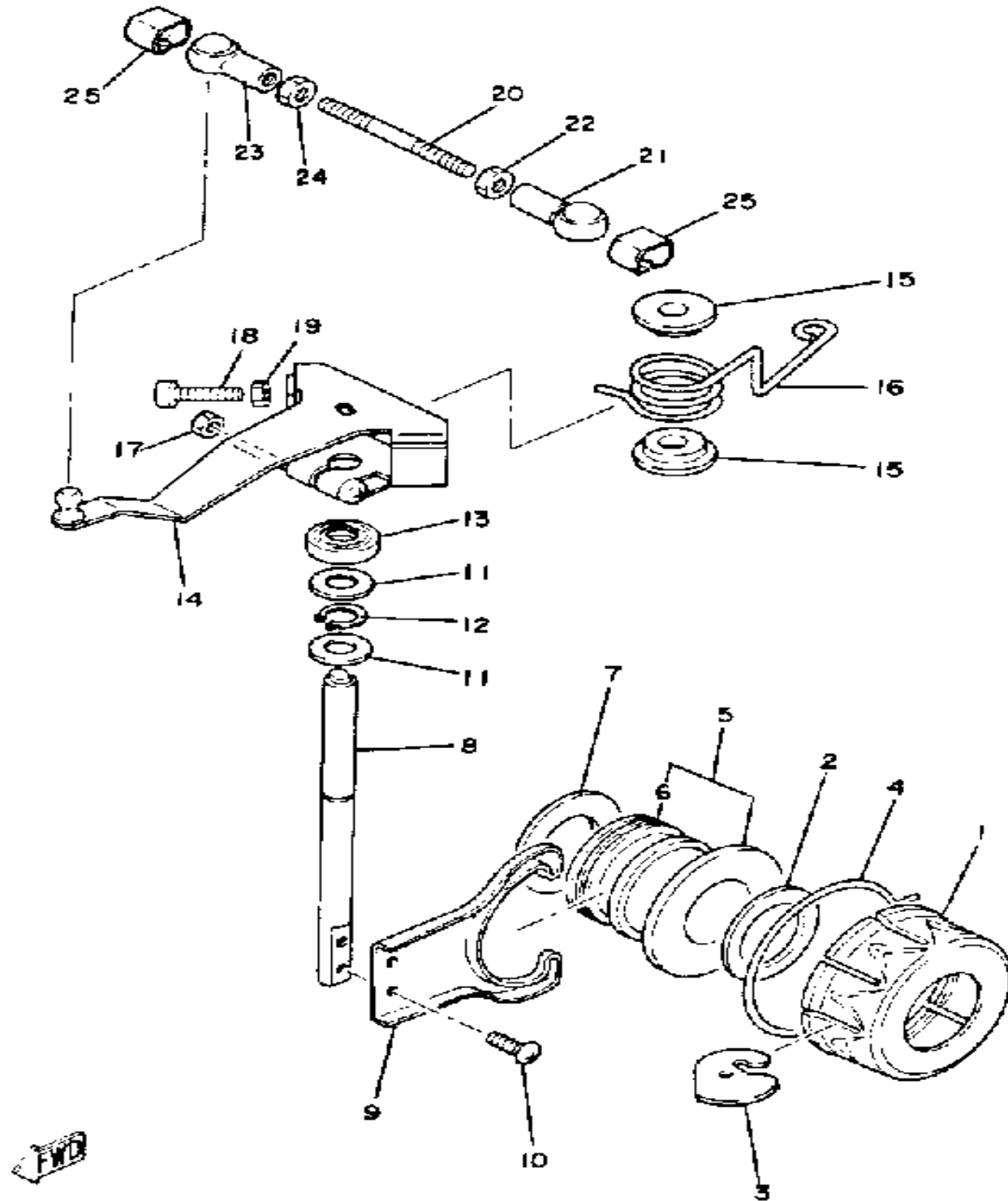
ACCELERATOR	C3
AIR FILTER	A7-8
AIR SHROUD FAN	A4
BODY	C12, D1
BODY FITTING	D2-3
BRAKE	B10-12
BUMPER	C10-11
CARBURETOR	A9
CARRIER	D4-5
CDI MAGNETO	D10-11
CRANKCASE	A11
CRANKSHAFT PISTON	A3
CYLINDER HEAD CYLINDER	A2
DRUM BRAKE	C1-2
ELECTRICAL 1	D12, E1
EXHAUST	A10
FRAME	B1
FRONT SUSPENSION WHEEL	B2-4
FUEL TANK	B8-9
GENERATOR	D7-8
GOVERNOR	C4
OIL PUMP	A5
OIL TANK	B7
PRIMARY SHEAVE	C5
PUMP DRIVE GEAR	A6
REAR AXLE WHEEL	C9
REAR SHOCKS	A12
SEAT	D6
SECONDARY SHEAVE	C6
STARTER PULLEY	D9
STEERING	B5-6
TRANSMISSION	C7-8

GOVERNOR

Ref. No.	Part Number	Description	Qty	Remarks
1	J10-27912-00-00	RETAINER	1	
2	90387-21690-00	COLLAR	1	
3	J10-27913-00-00	WEIGHT	8	
4	J10-27911-00-00	HOLDER	1	
5	J10-27927-00-00	LIFTER	1	
6	93342-22502-00	. BEARING, THRUST	1	
7	90201-20275-00	WASHER, PLATE	1	
8	J10-27921-01-00	SHAFT, GOVERNOR	1	
9	J10-27922-00-00	FORK, GOVERNOR	1	
10	98580-04008-00	SCREW, PAN HEAD (98501-04008-00)	2	
11	90202-08110-00	WASHER, PLATE	2	
12	99009-06600-00	CIRCLIP	1	
13	93109-08050-00	OIL SEAL	1	
14	J10-27951-01-00	LEVER, SPEED LIMITER	1	
15	90385-08034-00	BUSH, SPECIAL RUBBER	2	
16	90508-40398-00	SPRING, TORSION	1	
17	95380-06600-00	NUT (95303-06600-00)	1	
18	J10-27959-00-00	SCREW, ADJUSTING	1	
19	95311-05700-00	NUT	1	
20	J10-14836-00-00	ROD	1	
21	J10-14833-00-00	JOINT O 1	1	
22	95311-05700-00	NUT	1	
23	J10-14864-00-00	JOINT O 1	1	
24	90170-05190-00	NUT, HEXAGON	1	
25	90468-05112-00	CLIP	2	

CONTENTS

ACCELERATOR	C3
AIR FILTER	A7-8
AIR SHROUD FAN	A4
BODY	C12 ,D1
BODY FITTING	D2-3
BRAKE	B10-12
BUMPER	C10-11
CARBURETOR	A9
CARRIER	D4-5
CDI MAGNETO	D10-11
CRANKCASE	A11
CRANKSHAFT PISTON	A3
CYLINDER HEAD CYLINDER	A2
DRUM BRAKE	C1-2
ELECTRICAL 1	D12 ,E1
EXHAUST	A10
FRAME	B1
FRONT SUSPENSION WHEEL	B2-4
FUEL TANK	B8-9
GENERATOR	D7-8
GOVERNOR	C4
OIL PUMP	A5
OIL TANK	B7
PRIMARY SHEAVE	C5
PUMP DRIVE GEAR	A6
REAR AXLE WHEEL	C9
REAR SHOCKS	A12
SEAT	D6
SECONDARY SHEAVE	C6
STARTER PULLEY	D9
STEERING	B5-6
TRANSMISSION	C7-8



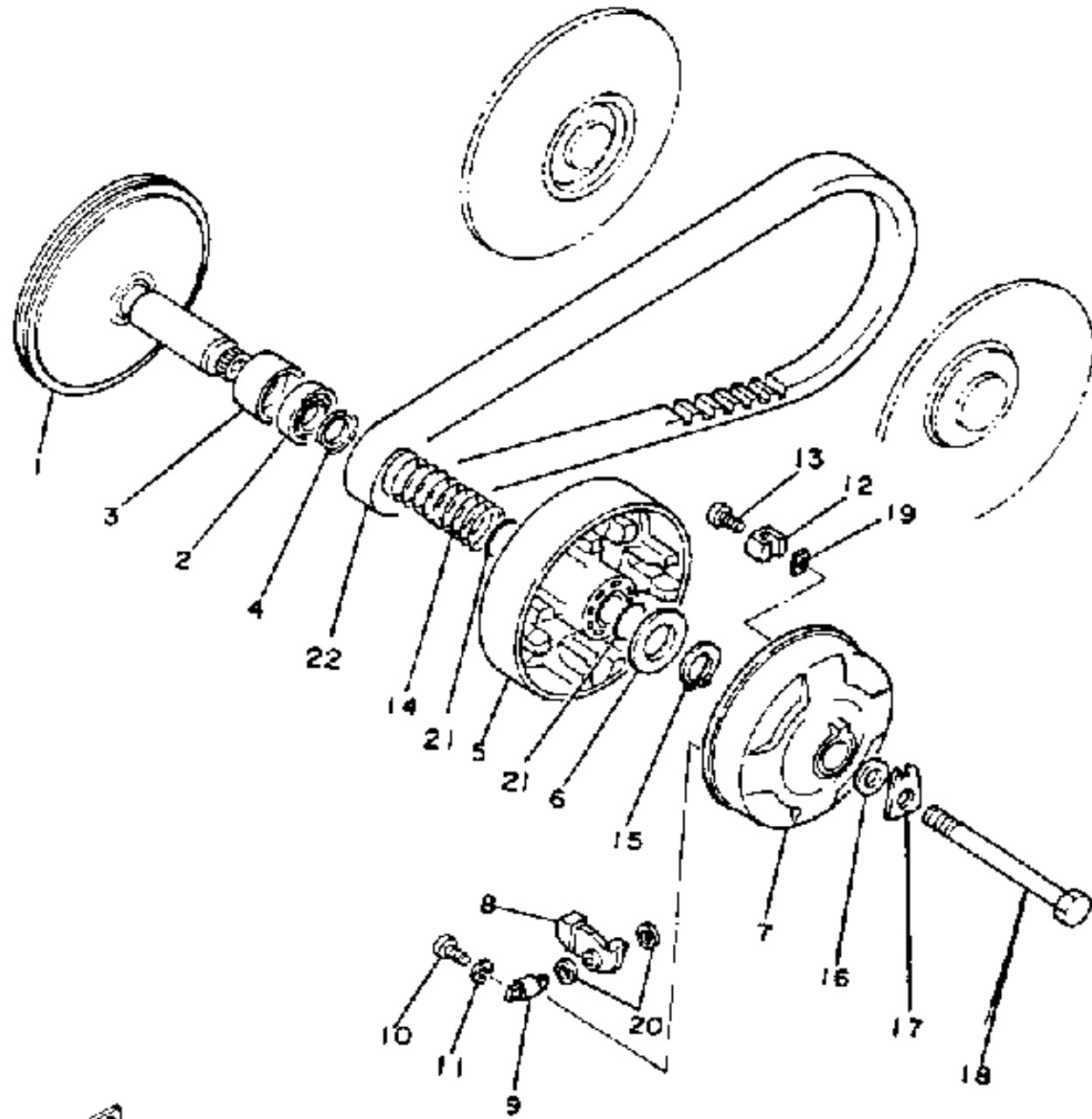
C4

PRIMARY SHEAVE

Ref. No.	Part Number	Description	Qty	Remarks
1	J10-46210-00-00	PRI FIXED SHEAVE COMP ...	1	
2	93306-90601-00	BEARING	1	
3	90387-47686-00	COLLAR	1	
4	J10-46244-00-00	SEAT, SPRING	1	
5	J10-46220-01-00	PRIMARY SLIDING SHEAVE COMP	1	
6	J10-46223-01-00	CAM	1	
7	J17-46230-00-00	PRIMARY SHEAVE CAP COMP	1	
8	J10-46232-00-00	WEIGHT 1	4	
9	J10-46236-00-00	PIN, WEIGHT	4	
10	98580-05020-00	SCREW, PAN HEAD	8	
11	92990-05100-00	WASHER, SPRING	8	
12	J10-46253-01-00	SLIDER	4	
13	90149-05129-00	SCREW, SPECIAL SHAPE	4	
14	90501-32696-00	SPRING, COMPRESSION	1	
15	99009-28400-00	CIRCLIP	1	
16	90560-12180-00	SPACER	1	
17	90215-13146-00	WASHER, LOCK	1	
18	J10-46249-00-00	BOLT	1	
19	J17-46254-00-00	DAMPER SPACER	4	
20	90202-10129-00	WASHER, PLATE	8	
21	93210-27458-00	O-RING	2	
22	J17-46241-00-00	BELT	1	

CONTENTS

ACCELERATOR	C3
AIR FILTER	A7-8
AIR SHROUD FAN	A4
BODY	C12 ,D1
BODY FITTING	D2-3
BRAKE	B10-12
BUMPER	C10-11
CARBURETOR	A9
CARRIER	D4-5
CDI MAGNETO	D10-11
CRANKCASE	A11
CRANKSHAFT PISTON	A3
CYLINDER HEAD CYLINDER	A2
DRUM BRAKE	C1-2
ELECTRICAL 1	D12 ,E1
EXHAUST	A10
FRAME	B1
FRONT SUSPENSION WHEEL	B2-4
FUEL TANK	B8-9
GENERATOR	D7-8
GOVERNOR	C4
OIL PUMP	A5
OIL TANK	B7
PRIMARY SHEAVE	C5
PUMP DRIVE GEAR	A6
REAR AXLE WHEEL	C9
REAR SHOCKS	A12
SEAT	D6
SECONDARY SHEAVE	C6
STARTER PULLEY	D9
STEERING	B5-6
TRANSMISSION	C7-8



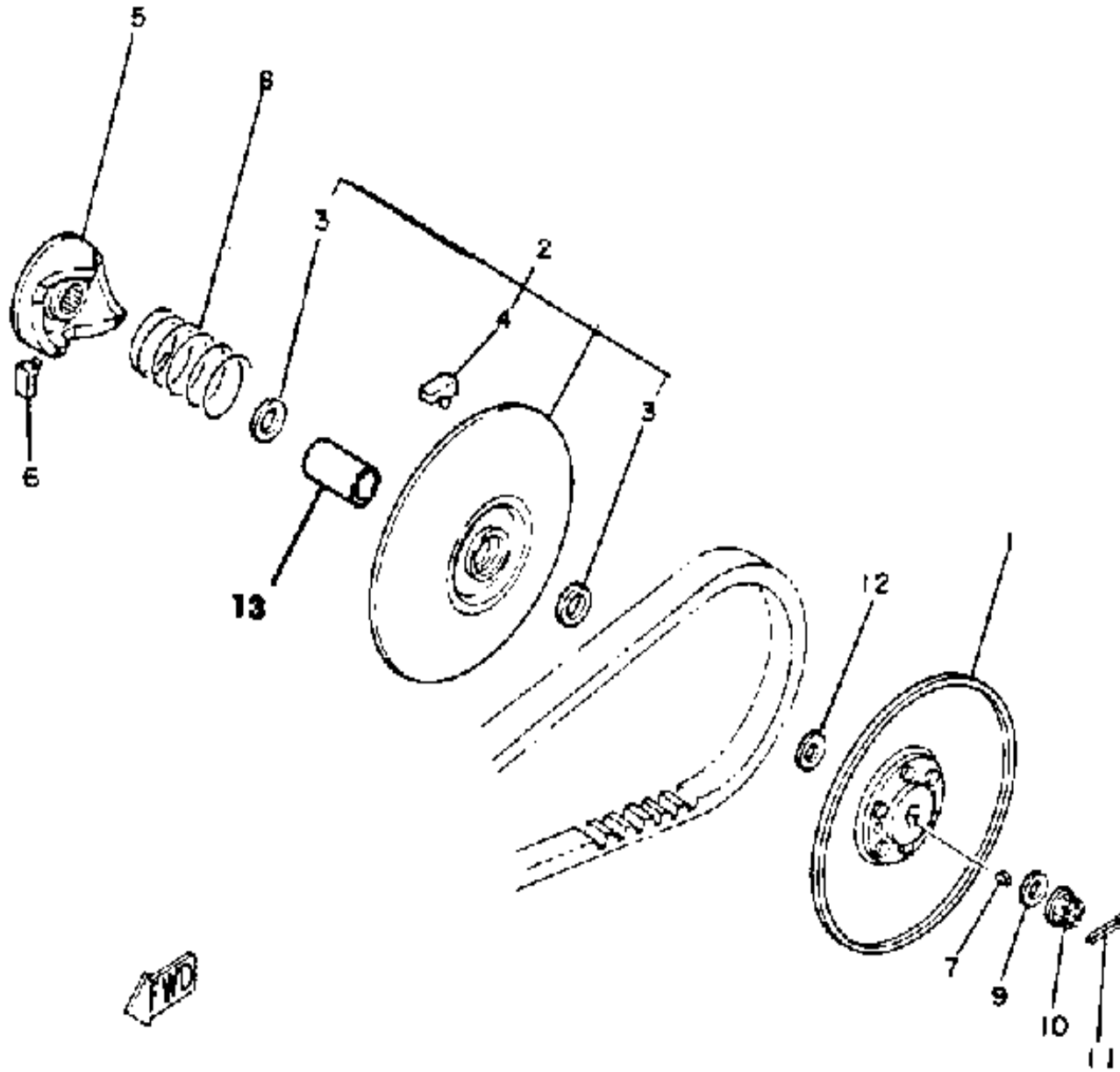
C5

SECONDARY SHEAVE

Ref. No.	Part Number	Description	Qty	Remarks
1	J55-G6260-00-00	SECONDARY FIXED SHEAVE COMP.	1	
2	J17-46270-02-00	SECONDARY SLIDING SHEAVE COMP. (J17-46270-00-00)	1	
3	93102-20309-00	. OIL SEAL	2	
4	801-17688-10-00	. SHOE, RAMP	3	
5	J55-G6280-00-00	SEC SPRING SEAT CMP (J38-46280-00-00)	1	
6	801-17688-10-00	SHOE, RAMP	3	
7	90280-05022-00	KEY, WOODRUFF	1	
8	90501-45600-00	SPRING, COMPRESSION	1	
9	90201-12588-00	WASHER, PLATE	1	
10	90171-12023-00	NUT, CASTLE	1	
11	91401-30030-00	PIN, COTTER (91401-30025-00)	1	
12	90202-20130-00	WASHER, PLATE	1	
13	90384-20143-00	BUSH, BIMETAL FORM FORMED	1	

CONTENTS

ACCELERATOR	C3
AIR FILTER	A7-8
AIR SHROUD FAN	A4
BODY	C12 ,D1
BODY FITTING	D2-3
BRAKE	B10-12
BUMPER	C10-11
CARBURETOR	A9
CARRIER	D4-5
CDI MAGNETO	D10-11
CRANKCASE	A11
CRANKSHAFT PISTON	A3
CYLINDER HEAD CYLINDER	A2
DRUM BRAKE	C1-2
ELECTRICAL 1	D12 ,E1
EXHAUST	A10
FRAME	B1
FRONT SUSPENSION WHEEL	B2-4
FUEL TANK	B8-9
GENERATOR	D7-8
GOVERNOR	C4
OIL PUMP	A5
OIL TANK	B7
PRIMARY SHEAVE	C5
PUMP DRIVE GEAR	A6
REAR AXLE WHEEL	C9
REAR SHOCKS	A12
SEAT	D6
SECONDARY SHEAVE	C6
STARTER PULLEY	D9
STEERING	B5-6
TRANSMISSION	C7-8



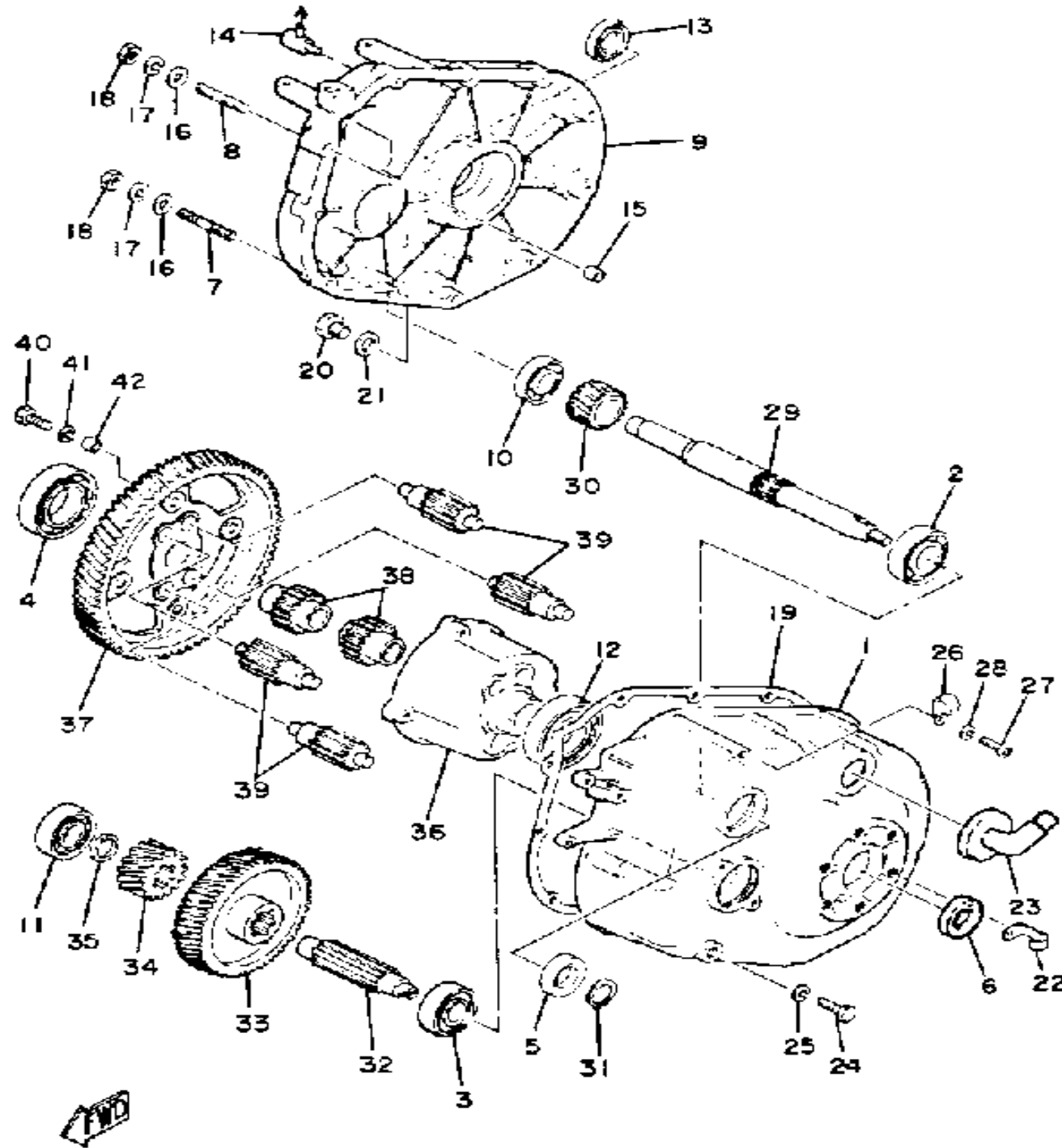
C6

TRANSMISSION

Ref. No.	Part Number	Description	Qty	Remarks
1	J11-46311-00-00	CASE, TRANS 1	1	
2	93306-20529-00	BEARING (B6205C4)	1	
3	93306-20421-00	BEARING	1	
4	93306-00803-00	BEARING (B6008)	1	
5	93102-25017-00	OIL SEAL	1	
6	93102-22189-00	OIL SEAL	1	
7	95621-08335-00	BOLT, STUD (95601-08335-00)	9	
8	95601-08345-00	BOLT, STUD	2	
9	J10-46312-00-00	CASE, TRANS 2	1	
10	93306-20324-00	BEARING	1	
11	93306-20421-00	BEARING	1	
12	93306-00803-00	BEARING (B6008)	1	
13	93102-22189-00	OIL SEAL	1	
14	8E4-24461-00-00	PIPE, JOINT	1	
15	99510-12016-00	PIN, DOWEL	2	
16	92901-08600-00	WASHER	11	
17	92990-08100-00	WASHER	11	
18	95333-08600-00	NUT (6L2)	11	
19	J10-46319-01-00	GASKET	1	
20	90340-14036-00	PLUG, STRAIGHT SCREW	2	
21	90430-14043-00	GASKET	2	
22	90465-06100-00	CLAMP	12	
23	835-47559-00-00	CAP 2	1	
24	97011-10020-00	BOLT	2	
25	92990-10100-00	WASHER, SPRING	2	
26	90465-08028-00	CLAMP	1	
27	98580-06010-00	SCREW, PAN HEAD (92503-06010-00)	1	
28	92995-06100-00	WASHER, SPRING (92990-06100-00)	1	
29	J10-46321-00-00	SHAFT, INPUT	1	

CONTENTS

ACCELERATOR	C3
AIR FILTER	A7-8
AIR SHROUD FAN	A4
BODY	C12, D1
BODY FITTING	D2-3
BRAKE	B10-12
BUMPER	C10-11
CARBURETOR	A9
CARRIER	D4-5
CDI MAGNETO	D10-11
CRANKCASE	A11
CRANKSHAFT PISTON	A3
CYLINDER HEAD CYLINDER	A2
DRUM BRAKE	C1-2
ELECTRICAL 1	D12, E1
EXHAUST	A10
FRAME	B1
FRONT SUSPENSION WHEEL	B2-4
FUEL TANK	B8-9
GENERATOR	D7-8
GOVERNOR	C4
OIL PUMP	A5
OIL TANK	B7
PRIMARY SHEAVE	C5
PUMP DRIVE GEAR	A6
REAR AXLE WHEEL	C9
REAR SHOCKS	A12
SEAT	D6
SECONDARY SHEAVE	C6
STARTER PULLEY	D9
STEERING	B5-6
TRANSMISSION	C7-8



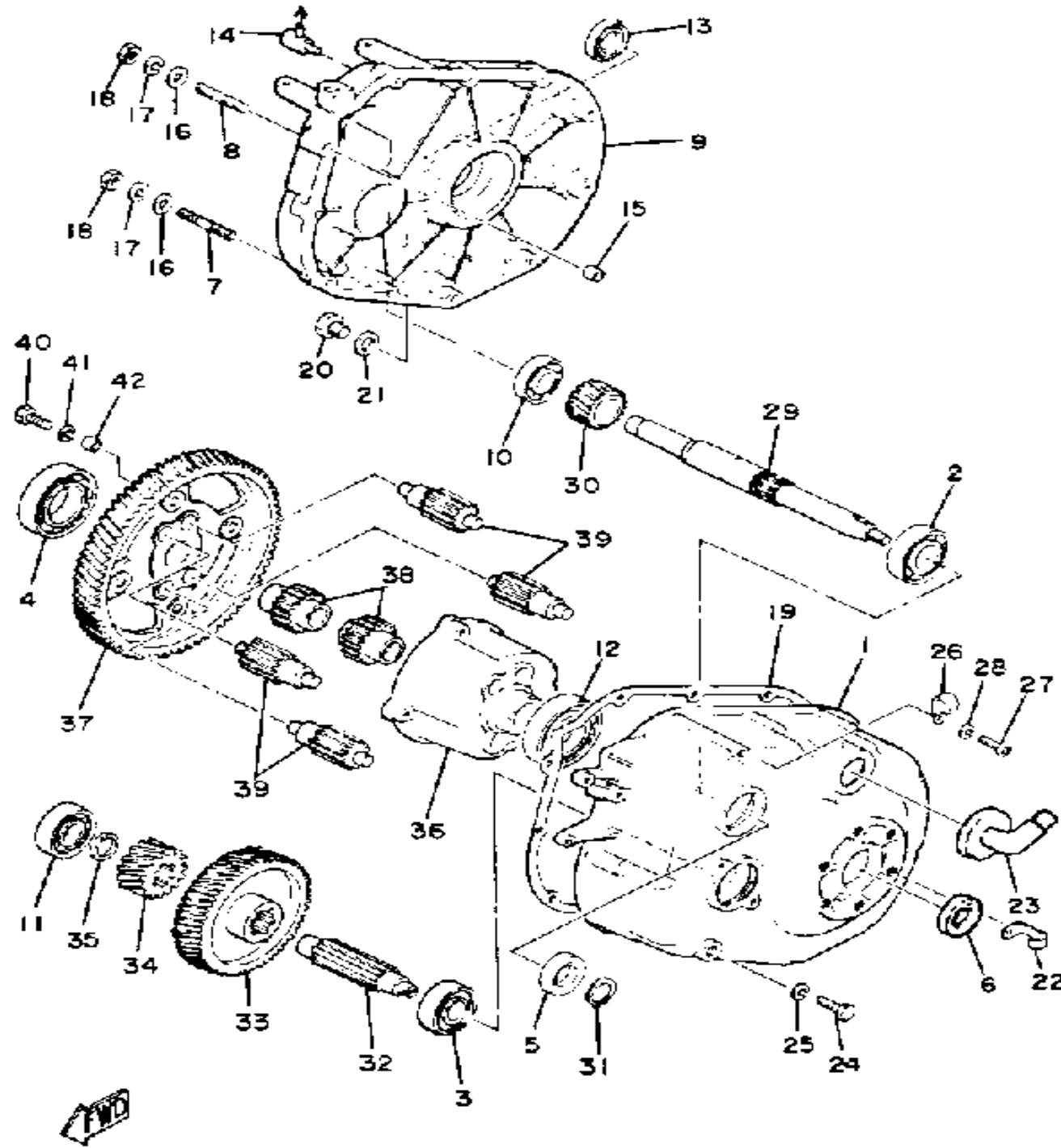
CONTINUED ON NEXT FRAME >

TRANSMISSION

Ref. No.	Part Number	Description	Qty	Remarks
30	J17-46331-00-00	GEAR, INPUT 1	1	
31	93410-25017-00	CIRCLIP	1	
32	J10-46351-00-00	SHAFT, COUNTER	1	
33	J17-46361-00-00	GEAR, COUNTER 1	1	
34	J17-46362-00-00	GEAR, COUNTER 2	1	
35	90201-20272-00	WASHER, PLATE	1	
36	J10-W4641-00-00	CASE, DIFFERENTIAL	1	
37	J17-W4642-00-00	GEAR, RING	1	
38	J10-46414-00-00	GEAR, DIFF SIDE	2	
39	J10-46415-00-00	PINION, DIFF	4	
40	97313-08030-00	BOLT, HEXAGON	4	
41	92990-08100-00	WASHER	4	
42	99510-10114-00	PIN, DOWEL	2	

CONTENTS

ACCELERATOR	C3
AIR FILTER	A7-8
AIR SHROUD FAN	A4
BODY	C12, D1
BODY FITTING	D2-3
BRAKE	B10-12
BUMPER	C10-11
CARBURETOR	A9
CARRIER	D4-5
CDI MAGNETO	D10-11
CRANKCASE	A11
CRANKSHAFT PISTON	A3
CYLINDER HEAD CYLINDER	A2
DRUM BRAKE	C1-2
ELECTRICAL 1	D12, E1
EXHAUST	A10
FRAME	B1
FRONT SUSPENSION WHEEL	B2-4
FUEL TANK	B8-9
GENERATOR	D7-8
GOVERNOR	C4
OIL PUMP	A5
OIL TANK	B7
PRIMARY SHEAVE	C5
PUMP DRIVE GEAR	A6
REAR AXLE WHEEL	C9
REAR SHOCKS	A12
SEAT	D6
SECONDARY SHEAVE	C6
STARTER PULLEY	D9
STEERING	B5-6
TRANSMISSION	C7-8

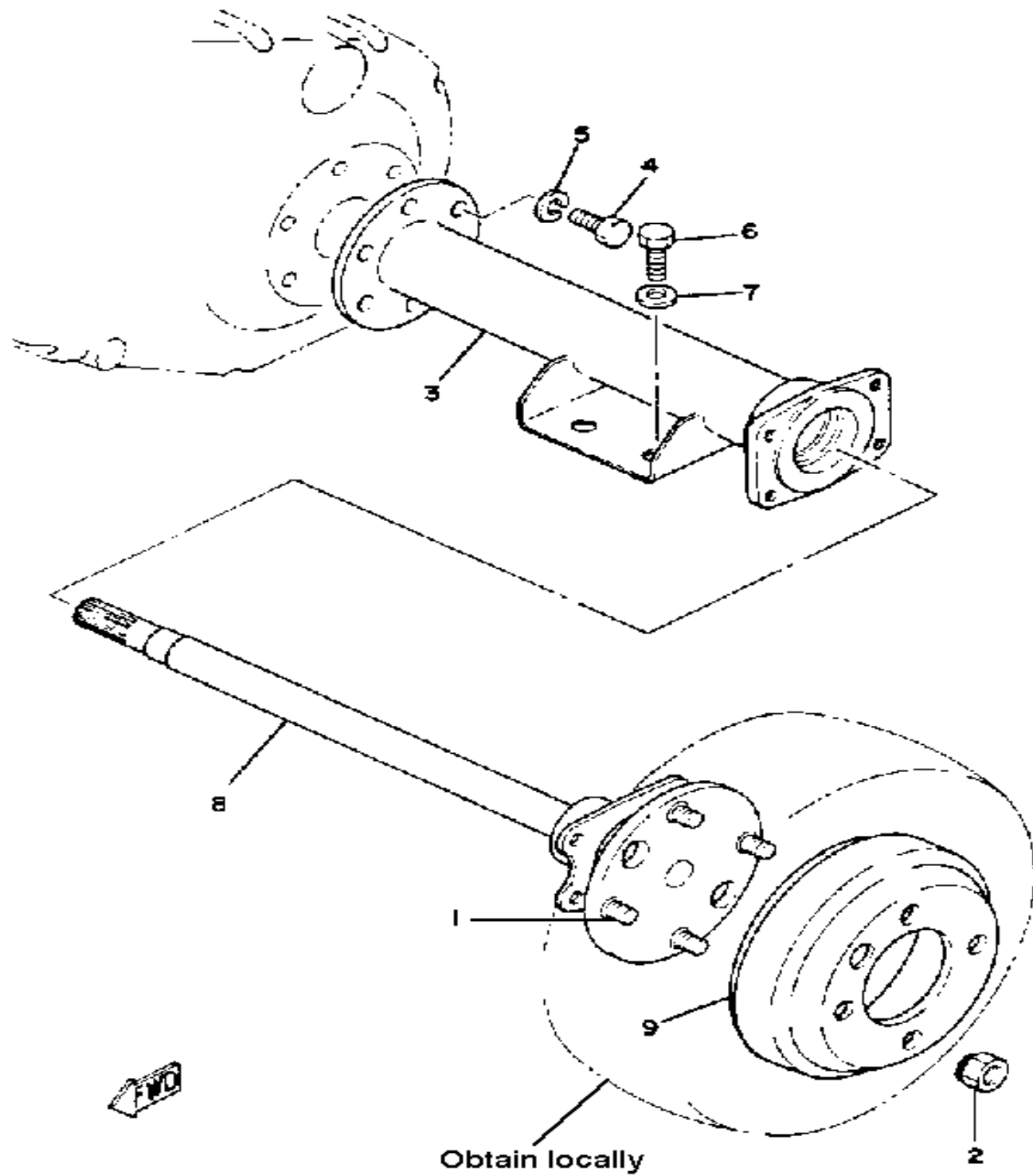


REAR AXLE WHEEL

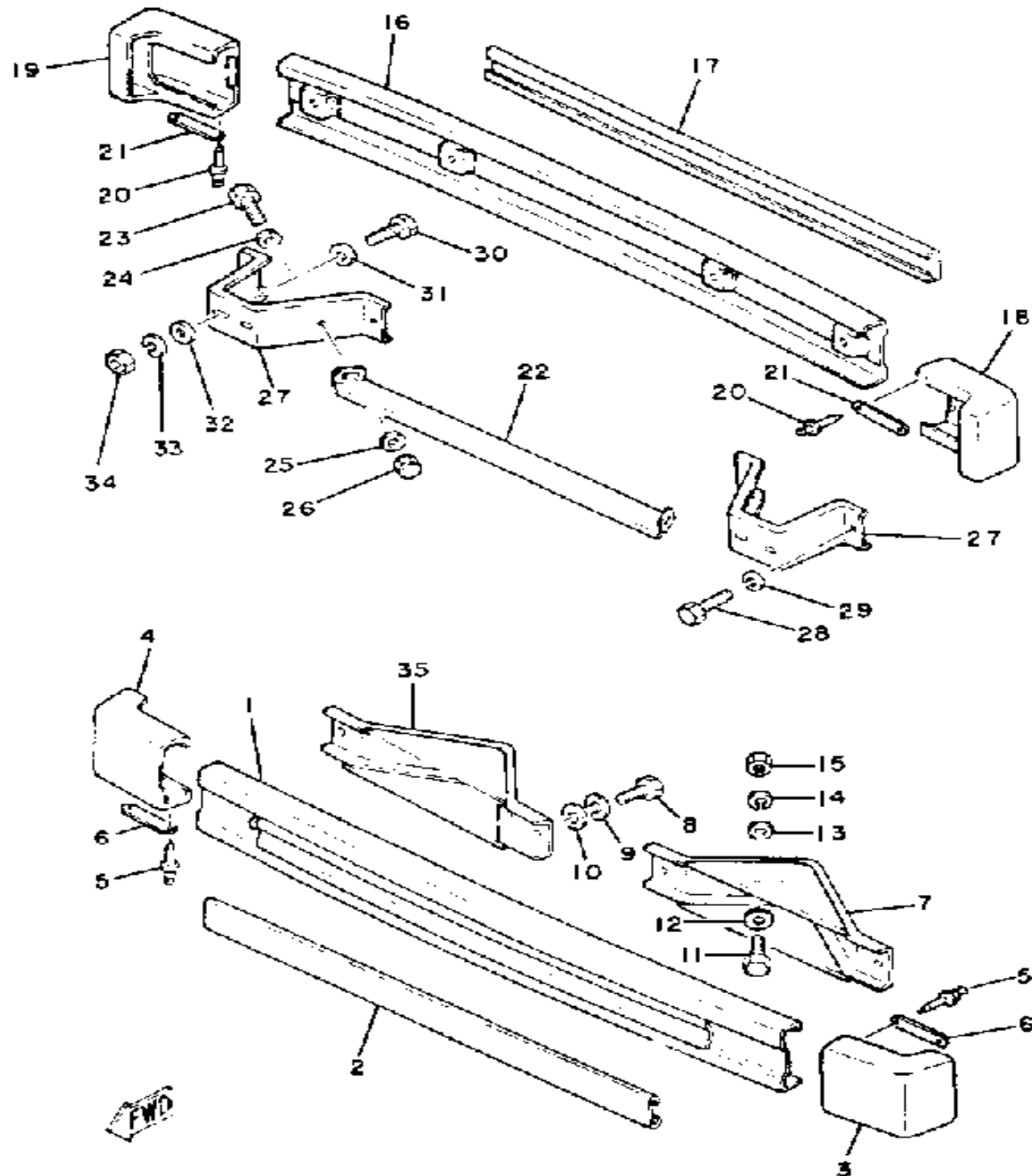
Ref. No.	Part Number	Description	Qty	Remarks
1	90114-12004-00	BOLT, RIBBED NECK	8	
2	90179-12262-00	NUT	8	
3	J10-46540-00-00	REAR AXLE HOUSING 1 COMP	2	
4	97013-08025-00	BOLT	12	
5	92990-08100-00	WASHER	12	
6	97011-10020-00	BOLT	8	
7	92990-10100-00	WASHER, SPRING	8	
8	J17-46510-01-00	REAR AXLE SHAFT 1	2	
9	J55-G6521-00-00	DRUM	2	

CONTENTS

ACCELERATOR	C3
AIR FILTER	A7-8
AIR SHROUD FAN	A4
BODY	C12 ,D1
BODY FITTING	D2-3
BRAKE	B10-12
BUMPER	C10-11
CARBURETOR	A9
CARRIER	D4-5
CDI MAGNETO	D10-11
CRANKCASE	A11
CRANKSHAFT PISTON	A3
CYLINDER HEAD CYLINDER	A2
DRUM BRAKE	C1-2
ELECTRICAL 1	D12 ,E1
EXHAUST	A10
FRAME	B1
FRONT SUSPENSION WHEEL	B2-4
FUEL TANK	B8-9
GENERATOR	D7-8
GOVERNOR	C4
OIL PUMP	A5
OIL TANK	B7
PRIMARY SHEAVE	C5
PUMP DRIVE GEAR	A6
REAR AXLE WHEEL	C9
REAR SHOCKS	A12
SEAT	D6
SECONDARY SHEAVE	C6
STARTER PULLEY	D9
STEERING	B5-6
TRANSMISSION	C7-8



BUMPER



Ref. No.	Part Number	Description	Qty	Remarks
1	J17-78106-00-00	BUMPER SUB ASSEMBLY, FRONT	1	
2	J17-78162-00-00	PAD, FRONT BUMPER	1	
3	J10-78168-01-00	BUMPER, RUBBER 2	1	
4	J10-78167-01-00	BUMPER, RUBBER 1	1	
5	90267-40077-00	RIVET, BLIND	8	
	90267-40077-00	RIVET, BLIND	8	
6	J17-77525-00-00	WASHER 1	4	
7	J42-78164-00-00	STAY, FRONT BUMPER 1 (J17-78165-00-00)	1	
8	97313-08016-00	BOLT, HEXAGON	4	
9	92990-08100-00	WASHER	4	
10	92901-08600-00	WASHER	4	
11	97013-08025-00	BOLT	4	
12	92901-08600-00	WASHER	4	
13	90201-085E6-00	WASHER, PLATE	4	
14	92990-08100-00	WASHER	4	
15	95333-08600-00	NUT (6L2)	4	
16	J17-78107-00-00	BUMPER SUB-ASSEMBLY, REAR	1	
17	J17-78162-00-00	PAD, FRONT BUMPER	1	
18	J10-78167-01-00	BUMPER, RUBBER 1	1	
19	J10-78168-01-00	BUMPER, RUBBER 2	1	
20	90267-40077-00	RIVET, BLIND	8	
21	J17-77525-00-00	WASHER 1	4	
22	J10-78179-00-00	PLATE, EXTENSION	1	
23	97011-08016-00	BOLT	2	
24	92901-08600-00	WASHER	2	
25	92990-08200-00	WASHER, PLAIN (92902-08100-00)	2	
26	95303-08800-00	NUT (CROWN) (93501-08800-00)	2	

CONTENTS

ACCELERATOR	C3
AIR FILTER	A7-8
AIR SHROUD FAN	A4
BODY	C12, D1
BODY FITTING	D2-3
BRAKE	B10-12
BUMPER	C10-11
CARBURETOR	A9
CARRIER	D4-5
CDI MAGNETO	D10-11
CRANKCASE	A11
CRANKSHAFT PISTON	A3
CYLINDER HEAD CYLINDER	A2
DRUM BRAKE	C1-2
ELECTRICAL 1	D12, E1
EXHAUST	A10
FRAME	B1
FRONT SUSPENSION WHEEL	B2-4
FUEL TANK	B8-9
GENERATOR	D7-8
GOVERNOR	C4
OIL PUMP	A5
OIL TANK	B7
PRIMARY SHEAVE	C5
PUMP DRIVE GEAR	A6
REAR AXLE WHEEL	C9
REAR SHOCKS	A12
SEAT	D6
SECONDARY SHEAVE	C6
STARTER PULLEY	D9
STEERING	B5-6
TRANSMISSION	C7-8

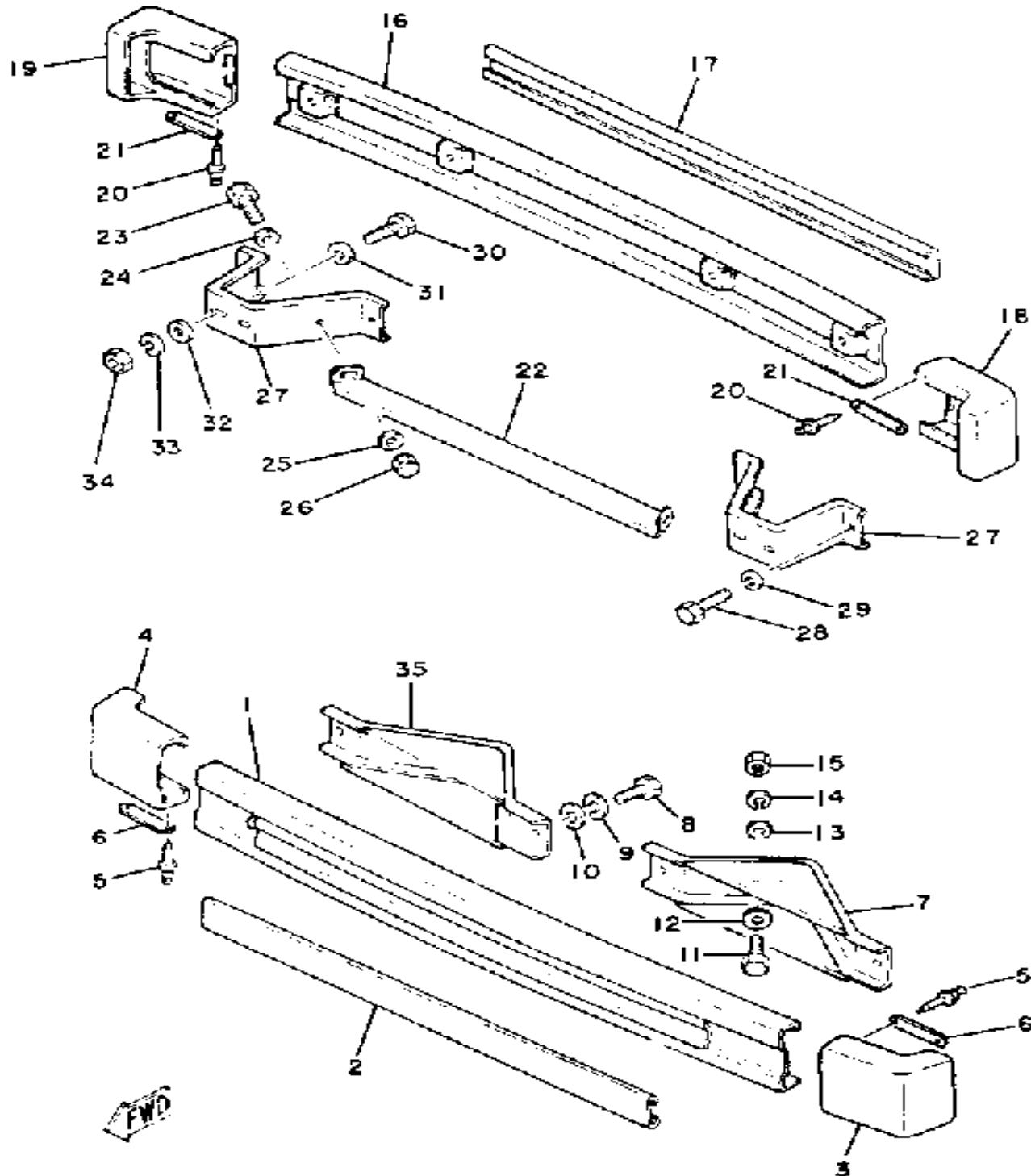
CONTINUED ON NEXT FRAME ►

BUMPER

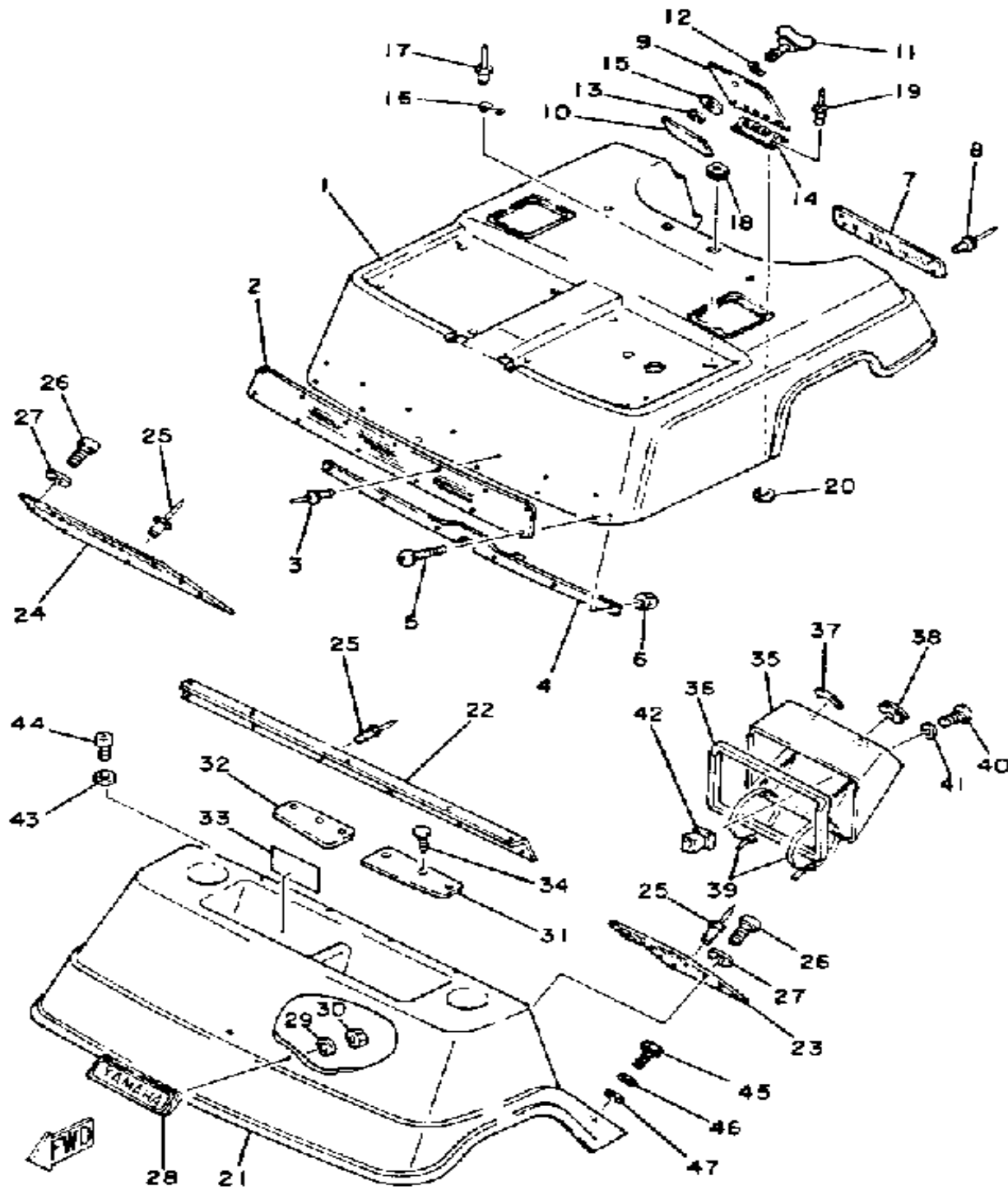
Ref. No.	Part Number	Description	Qty	Remarks
27	J42-78174-00-00	STAY, REAR BUMPER (J10-78174-01-00-)	2	
28	97313-08016-00	BOLT, HEXAGON	4	
29	92990-08100-00	WASHER	4	
30	97313-08020-00	BOLT, HEXAGON	4	
31	92901-08600-00	WASHER	4	
32	92990-08200-00	WASHER, PLAIN (92902-08100-00)	4	
33	92990-08100-00	WASHER	4	
34	95333-08600-00	NUT (6L2)	4	
35	J42-78165-00-00	STAY, FRONT BUMPER 2 (J17-78165-00-00)	1	

CONTENTS

ACCELERATOR	C3
AIR FILTER	A7-8
AIR SHROUD FAN	A4
BODY	C12, D1
BODY FITTING	D2-3
BRAKE	B10-12
BUMPER	C10-11
CARBURETOR	A9
CARRIER	D4-5
CDI MAGNETO	D10-11
CRANKCASE	A11
CRANKSHAFT PISTON	A3
CYLINDER HEAD CYLINDER	A2
DRUM BRAKE	C1-2
ELECTRICAL 1	D12, E1
EXHAUST	A10
FRAME	B1
FRONT SUSPENSION WHEEL	B2-4
FUEL TANK	B8-9
GENERATOR	D7-8
GOVERNOR	C4
OIL PUMP	A5
OIL TANK	B7
PRIMARY SHEAVE	C5
PUMP DRIVE GEAR	A6
REAR AXLE WHEEL	C9
REAR SHOCKS	A12
SEAT	D6
SECONDARY SHEAVE	C6
STARTER PULLEY	D9
STEERING	B5-6
TRANSMISSION	C7-8



BODY



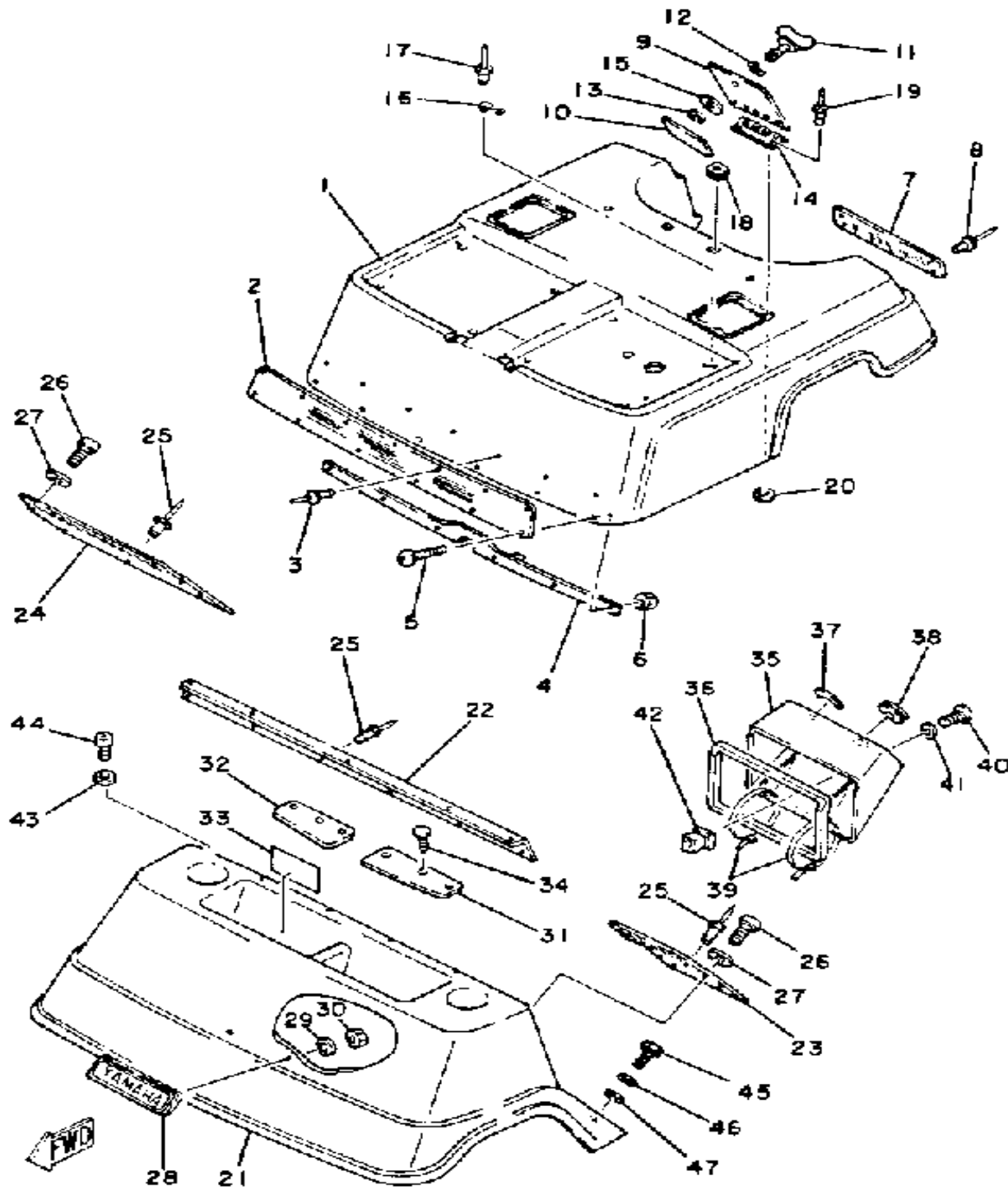
Ref. No.	Part Number	Description	Qty	Remarks
1	J17-W7811-00-00	PANEL, BODY SHELL	1	
2	J10-78119-00-00	PLATE 3	1	
3	90267-40075-00	RIVET, BLIND	7	
4	J17-78121-00-00	REINFORCEMENT 1	1	
5	98980-06016-00	SCREW, BINDING	6	
6	95601-06200-00	NUT, U-FLANGE	6	
7	J10-78137-00-00	PLATE 4	1	
8	90267-40075-00	RIVET, BLIND	4	
9	J17-78272-00-00	COVER, FUEL INLET	1	
10	J10-77764-00-00	LABEL, WARNING 4	1	
11	J10-78238-01-00	FASTENER, UPPER	1	
12	90201-08083-00	WASHER, PLATE	1	
13	99009-06600-00	CIRCLIP	1	
14	J17-78275-00-00	HINGE, FUEL INLET	1	
15	90201-08020-00	WASHER, PLATE	1	
16	J10-78239-00-00	FASTENER, LOWER	1	
17	90267-32019-00	RIVET, BLIND	2	
18	90480-35242-00	GROMMET	2	
19	90267-40075-00	RIVET, BLIND	2	
20	90201-044H9-00	WASHER, PLAIN	2	
21	J17-78115-90-00	COWL, FRONT	1	
22	J17-77165-00-00	TRIM 1	1	
23	J17-78232-00-00	MAT, MAIN FLOOR 2	1	
24	J17-78233-00-00	MAT, MAIN FLOOR 3	1	
25	90267-63047-00	RIVET, BLIND	24	
26	90157-08028-00	SCREW, PAN HEAD	2	
27	90202-08134-00	WASHER, PLATE	2	
28	J10-78291-00-00	EMBLEM 1	1	
29	92990-05200-00	WASHER, PLAIN	2	
30	95701-05300-00	NUT, NYLON	2	

CONTENTS

ACCELERATOR	C3
AIR FILTER	A7-8
AIR SHROUD FAN	A4
BODY	C12, D1
BODY FITTING	D2-3
BRAKE	B10-12
BUMPER	C10-11
CARBURETOR	A9
CARRIER	D4-5
CDI MAGNETO	D10-11
CRANKCASE	A11
CRANKSHAFT PISTON	A3
CYLINDER HEAD CYLINDER	A2
DRUM BRAKE	C1-2
ELECTRICAL 1	D12, E1
EXHAUST	A10
FRAME	B1
FRONT SUSPENSION WHEEL	B2-4
FUEL TANK	B8-9
GENERATOR	D7-8
GOVERNOR	C4
OIL PUMP	A5
OIL TANK	B7
PRIMARY SHEAVE	C5
PUMP DRIVE GEAR	A6
REAR AXLE WHEEL	C9
REAR SHOCKS	A12
SEAT	D6
SECONDARY SHEAVE	C6
STARTER PULLEY	D9
STEERING	B5-6
TRANSMISSION	C7-8

CONTINUED ON NEXT FRAME ►

BODY



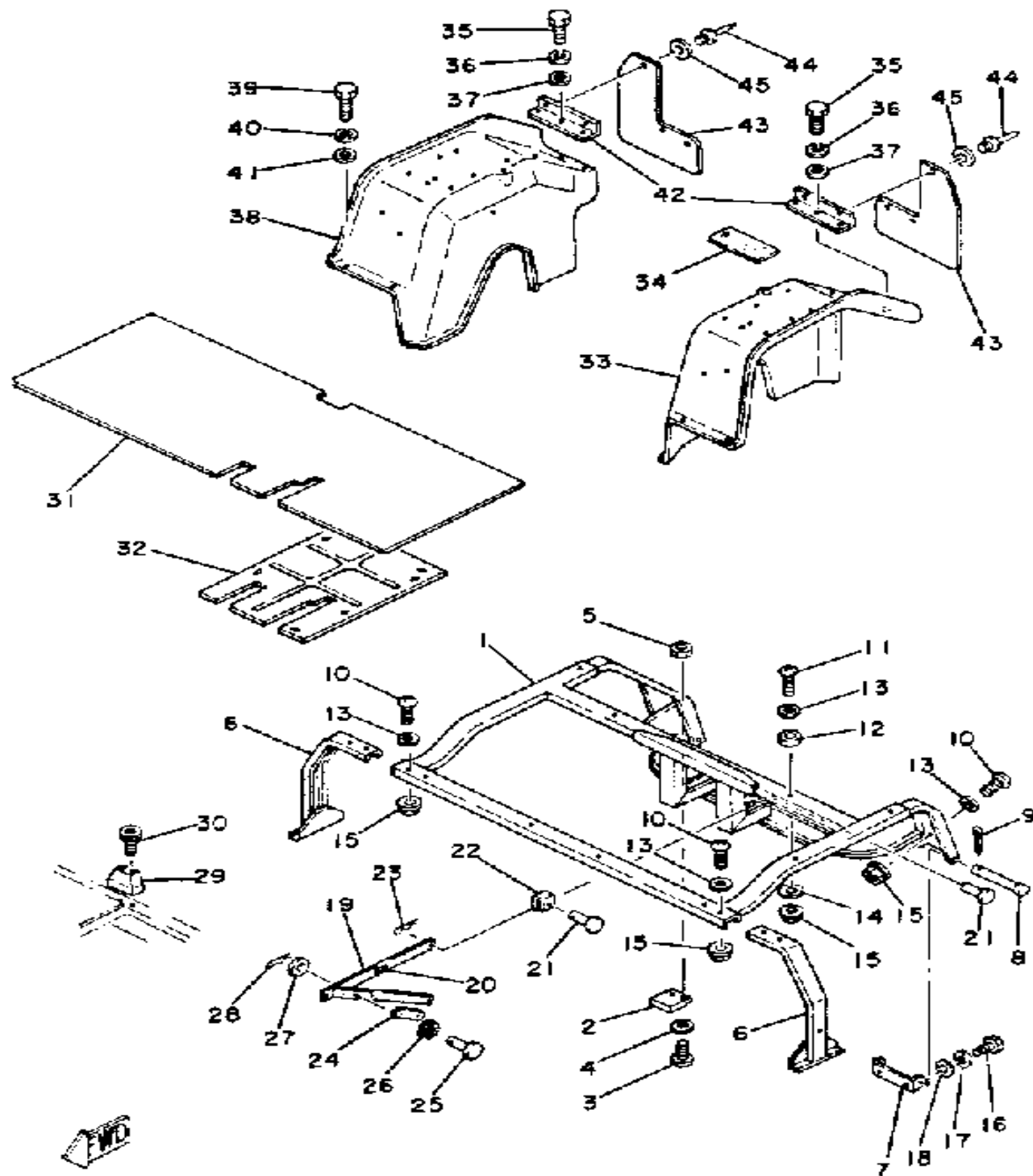
Ref. No.	Part Number	Description	Qty	Remarks
31	J17-77151-00-00	PAD 1	1	
32	J17-77152-00-00	PAD 2	1	
33	J10-77768-00-00	LABEL, WARNING	1	
34	90269-06028-00	RIVET	2	
35	J10-77711-00-00	PANEL, INSTRUMENT	1	
36	J10-78245-00-00	SEAL 1	1	
37	J10-77741-00-00	INDICATOR 1	1	
38	90480-48243-00	GROMMET	1	
39	80L-26397-00-00	BAND	2	
40	97780-50130-00	SCREW, TAPPING	2	
41	90201-05036-00	WASHER, PLATE	2	
42	90480-07241-00	GROMMET	2	
43	90201-08310-00	WASHER, PLATE	2	
44	98980-08025-00	SCREW, BIND (98902-08025-00)	2	
45	97023-06020-00	BOLT (3XF) (97302-06020-00)	3	
46	92995-06100-00	WASHER, SPRING (92990-06100-00)	3	
47	90201-06075-00	WASHER, PLATE	3	

CONTENTS

ACCELERATOR	C3
AIR FILTER	A7-8
AIR SHROUD FAN	A4
BODY	C12, D1
BODY FITTING	D2-3
BRAKE	B10-12
BUMPER	C10-11
CARBURETOR	A9
CARRIER	D4-5
CDI MAGNETO	D10-11
CRANKCASE	A11
CRANKSHAFT PISTON	A3
CYLINDER HEAD CYLINDER	A2
DRUM BRAKE	C1-2
ELECTRICAL 1	D12, E1
EXHAUST	A10
FRAME	B1
FRONT SUSPENSION WHEEL	B2-4
FUEL TANK	B8-9
GENERATOR	D7-8
GOVERNOR	C4
OIL PUMP	A5
OIL TANK	B7
PRIMARY SHEAVE	C5
PUMP DRIVE GEAR	A6
REAR AXLE WHEEL	C9
REAR SHOCKS	A12
SEAT	D6
SECONDARY SHEAVE	C6
STARTER PULLEY	D9
STEERING	B5-6
TRANSMISSION	C7-8

D1

BODY FITTING



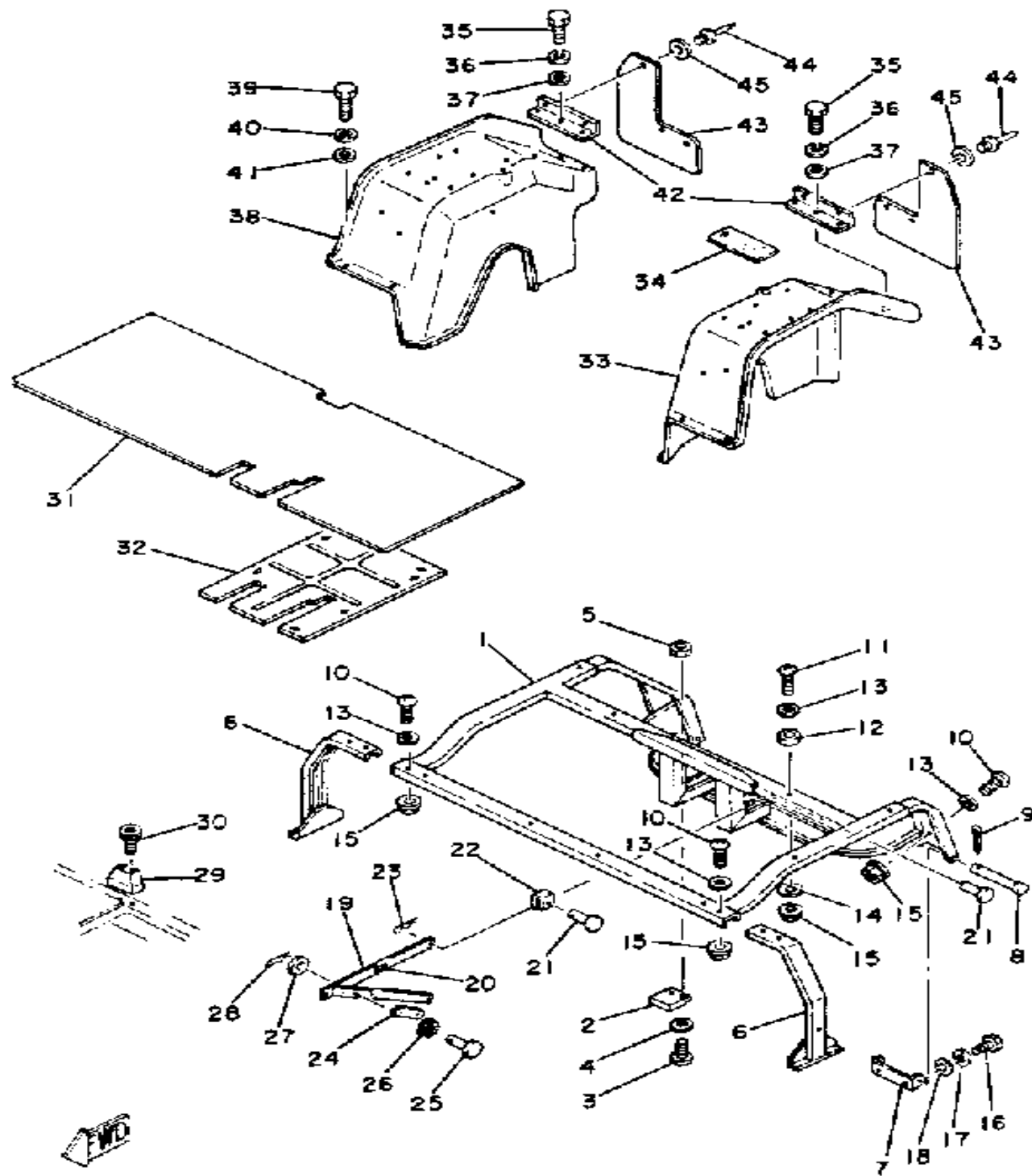
Ref. No.	Part Number	Description	Qty	Remarks
1	J31-77145-00-00	HINGE 1	1	
2	J17-78221-00-00	SHEET, BODY MOUNTING 1 ..	2	
3	98501-05018-00	SCREW, PAN HEAD	4	
4	92901-05600-00	WASHER, PLATE	4	
5	95612-05100-00	NUT, U	4	
6	J31-78123-00-00	REINFORCEMENT 3	2	
7	J10-77146-00-00	HINGE 2	2	
8	91701-08118-00	PIN, CLEVIS	2	
9	91401-25020-00	PIN, COTTER	2	
10	98980-06020-00	SCREW, BIND	8	
11	98980-06025-00	SCREW, BIND	2	
12	90202-08085-00	WASHER, PLATE	2	
13	90201-06697-00	WASHER, PLATE	8	
14	90201-06697-00	WASHER, PLATE	2	
15	95601-06200-00	NUT, U-FLANGE	10	
16	97313-08020-00	BOLT, HEXAGON	4	
17	92990-08100-00	WASHER	4	
18	92901-08600-00	WASHER	4	
19	J10-77125-00-00	STAY 1	1	
20	J10-77766-00-00	LABEL, WARNING 6	1	
21	91701-08020-00	PIN, CLEVIS	2	
22	J17-7712F-00-00	STAY 1	2	
23	90468-16065-00	CLIP	2	
24	J10-77188-00-00	STOPPER	1	
25	91701-06012-00	PIN, CLEVIS	1	
26	90206-06090-00	WASHER, WAVE	1	
27	92990-06200-00	WASHER	1	
28	90468-10050-00	CLIP	1	
29	J17-78156-00-00	STOPPER, LOCK	1	
30	91311-06035-00	BOLT, SOCKET HEAD	2	

CONTENTS

ACCELERATOR	C3
AIR FILTER	A7-8
AIR SHROUD FAN	A4
BODY	C12, D1
BODY FITTING	D2-3
BRAKE	B10-12
BUMPER	C10-11
CARBURETOR	A9
CARRIER	D4-5
CDI MAGNETO	D10-11
CRANKCASE	A11
CRANKSHAFT PISTON	A3
CYLINDER HEAD CYLINDER	A2
DRUM BRAKE	C1-2
ELECTRICAL 1	D12, E1
EXHAUST	A10
FRAME	B1
FRONT SUSPENSION WHEEL	B2-4
FUEL TANK	B8-9
GENERATOR	D7-8
GOVERNOR	C4
OIL PUMP	A5
OIL TANK	B7
PRIMARY SHEAVE	C5
PUMP DRIVE GEAR	A6
REAR AXLE WHEEL	C9
REAR SHOCKS	A12
SEAT	D6
SECONDARY SHEAVE	C6
STARTER PULLEY	D9
STEERING	B5-6
TRANSMISSION	C7-8

CONTINUED ON NEXT FRAME ►

BODY FITTING

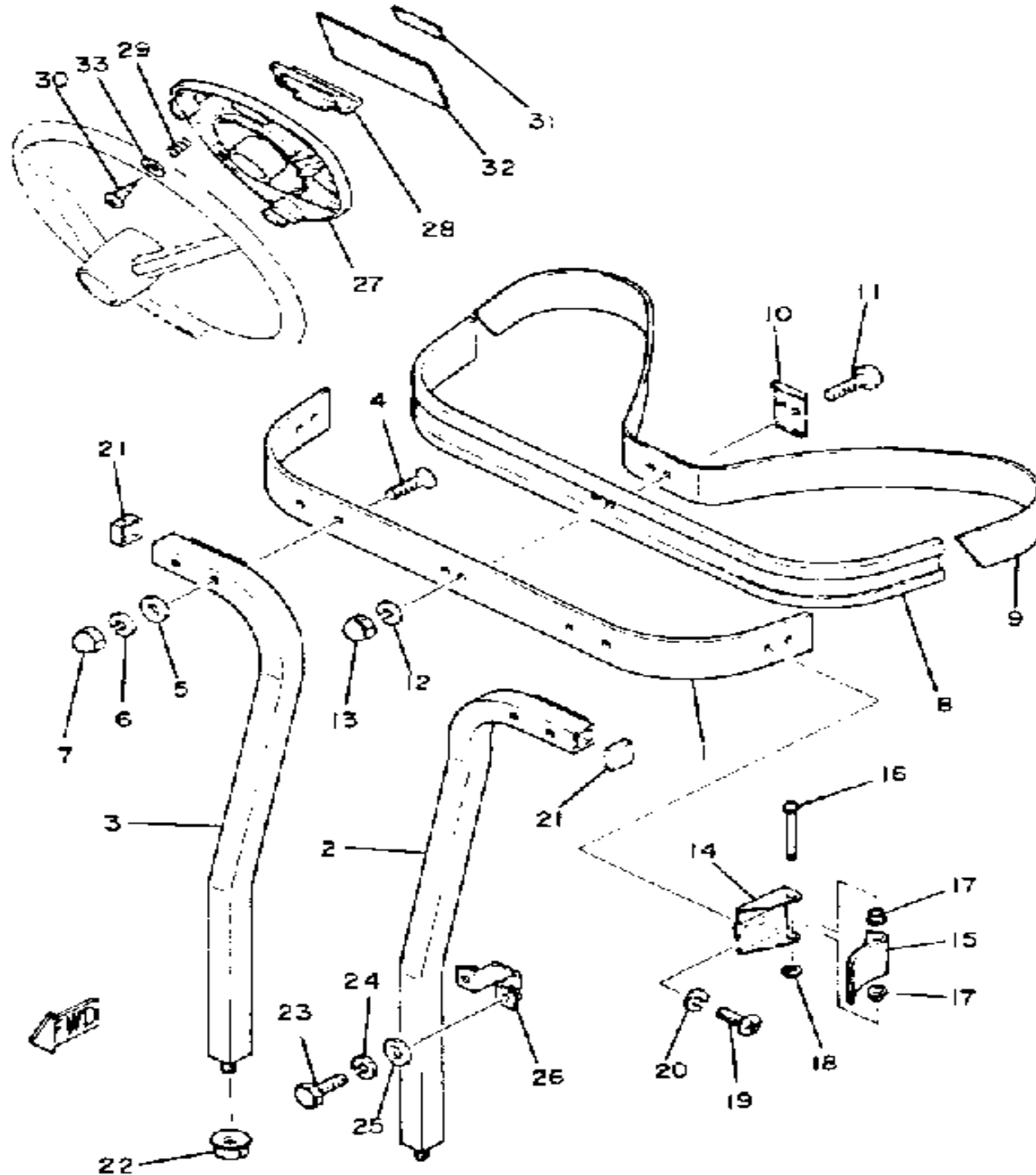


Ref. No.	Part Number	Description	Qty	Remarks
31	J10-78231-09-00	MAT, MAIN FLOOR 1 (J10-78231-02-00)	1	
32	J31-78271-00-00	SERVICE LID, PEDAL	1	
33	J24-78191-00-00	PANEL, RR FENDER 1	1	
34	J10-77765-00-00	LABEL, WARNING 5	1	
35	97023-06020-00	BOLT (3XF) (97302-06020-00)	4	
36	92995-06100-00	WASHER, SPRING (92990-06100-00)	4	
37	90201-062A8-00	WASHER, PLATE	4	
38	J24-78192-00-00	PANEL, RR FENDER 2	1	
39	97023-06020-00	BOLT (3XF) (97302-06020-00)	4	
40	92995-06100-00	WASHER, SPRING (92990-06100-00)	4	
41	90201-062A8-00	WASHER, PLATE	4	
42	J17-78198-00-00	RETAINER, FLAP	2	
43	J24-78199-00-00	FLAP, REAR 2	2	
44	90267-40075-00	RIVET, BLIND	6	
45	90201-05034-00	WASHER, PLATE	6	

CONTENTS

ACCELERATOR	C3
AIR FILTER	A7-8
AIR SHROUD FAN	A4
BODY	C12, D1
BODY FITTING	D2-3
BRAKE	B10-12
BUMPER	C10-11
CARBURETOR	A9
CARRIER	D4-5
CDI MAGNETO	D10-11
CRANKCASE	A11
CRANKSHAFT PISTON	A3
CYLINDER HEAD CYLINDER	A2
DRUM BRAKE	C1-2
ELECTRICAL 1	D12, E1
EXHAUST	A10
FRAME	B1
FRONT SUSPENSION WHEEL	B2-4
FUEL TANK	B8-9
GENERATOR	D7-8
GOVERNOR	C4
OIL PUMP	A5
OIL TANK	B7
PRIMARY SHEAVE	C5
PUMP DRIVE GEAR	A6
REAR AXLE WHEEL	C9
REAR SHOCKS	A12
SEAT	D6
SECONDARY SHEAVE	C6
STARTER PULLEY	D9
STEERING	B5-6
TRANSMISSION	C7-8

CARRIER



Ref. No.	Part Number	Description	Qty	Remarks
1	J42-78351-00-00	SUPPORT, BAG UPPER (J10-78351-00-9E)	1	IVORY WHITE
2	J10-78352-00-00	SUPPORT, BAG LOWER 1 (J10-78352-00-9E)	1	IVORY WHITE
3	J10-78353-00-00	SUPPORT, BAG LOWER 2 (J10-78353-00-9E)	1	IVORY WHITE
4	98701-08045-00	SCREW, FLAT HEAD (92701-08045-00)	4	
5	90202-08022-00	WASHER, PLATE	4	
6	92990-08100-00	WASHER	4	
7	95380-08800-00	NUT, CROWN	4	
8	J10-78356-00-00	PAD, BAG SUPPORT	1	
9	J10-78355-00-00	BAND	1	
10	J10-78367-00-00	PLATE, ANCHOR	1	
11	98980-06016-00	SCREW, BINDING	2	
12	92995-06100-00	WASHER, SPRING (92990-06100-00)	2	
13	95380-06800-00	NUT	2	
14	J17-78157-01-00	BASE, LOCK	1	
15	J17-78368-01-00	LEVER, LOCK	1	
16	J17-78369-00-00	PIN, LEVER	1	
17	90386-06108-00	BUSH	2	
18	99080-05600-00	CIRCLIP (93430-05027-00)	1	
19	98580-06008-00	SCREW, PAN HEAD	4	
20	92995-06100-00	WASHER, SPRING (92990-06100-00)	4	
21	J10-78139-00-00	CAP, END	2	
22	95601-10200-00	NUT, SELF-LOCKING	2	
23	97313-06065-00	BOLT, HEXAGON	4	
24	92995-06100-00	WASHER, SPRING (92990-06100-00)	4	
25	92901-06600-00	WASHER	4	

CONTENTS

ACCELERATOR	C3
AIR FILTER	A7-8
AIR SHROUD FAN	A4
BODY	C12, D1
BODY FITTING	D2-3
BRAKE	B10-12
BUMPER	C10-11
CARBURETOR	A9
CARRIER	D4-5
CDI MAGNETO	D10-11
CRANKCASE	A11
CRANKSHAFT PISTON	A3
CYLINDER HEAD CYLINDER	A2
DRUM BRAKE	C1-2
ELECTRICAL 1	D12, E1
EXHAUST	A10
FRAME	B1
FRONT SUSPENSION WHEEL	B2-4
FUEL TANK	B8-9
GENERATOR	D7-8
GOVERNOR	C4
OIL PUMP	A5
OIL TANK	B7
PRIMARY SHEAVE	C5
PUMP DRIVE GEAR	A6
REAR AXLE WHEEL	C9
REAR SHOCKS	A12
SEAT	D6
SECONDARY SHEAVE	C6
STARTER PULLEY	D9
STEERING	B5-6
TRANSMISSION	C7-8

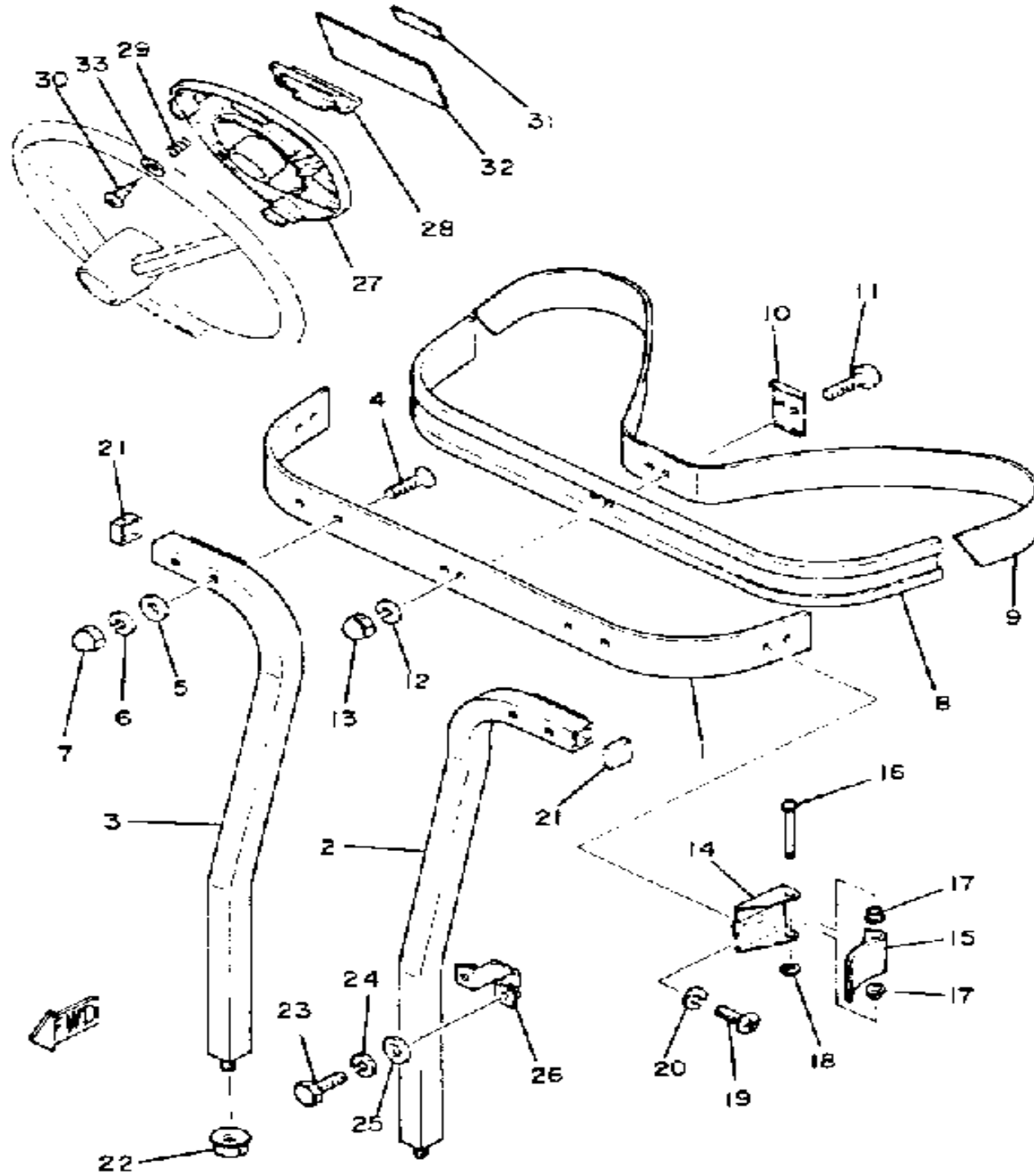
CONTINUED ON NEXT FRAME ►

CARRIER

Ref. No.	Part Number	Description	Qty	Remarks
26	J10-78366-01-00	CLAMP, SUPPORT	2	
27	J10-78357-01-00	HOLDER 1	1	
28	J10-78358-00-00	HOLDER 2	1	
29	90502-10013-00	SPRING, CONICAL	2	
30	97780-50125-00	SCREW, TAPPING	2	
31	J10-78292-00-00	EMBLEM 2	1	
32	J10-77762-01-00	LABEL, WARNING 2	1	
33	92901-05600-00	WASHER, PLATE	2	

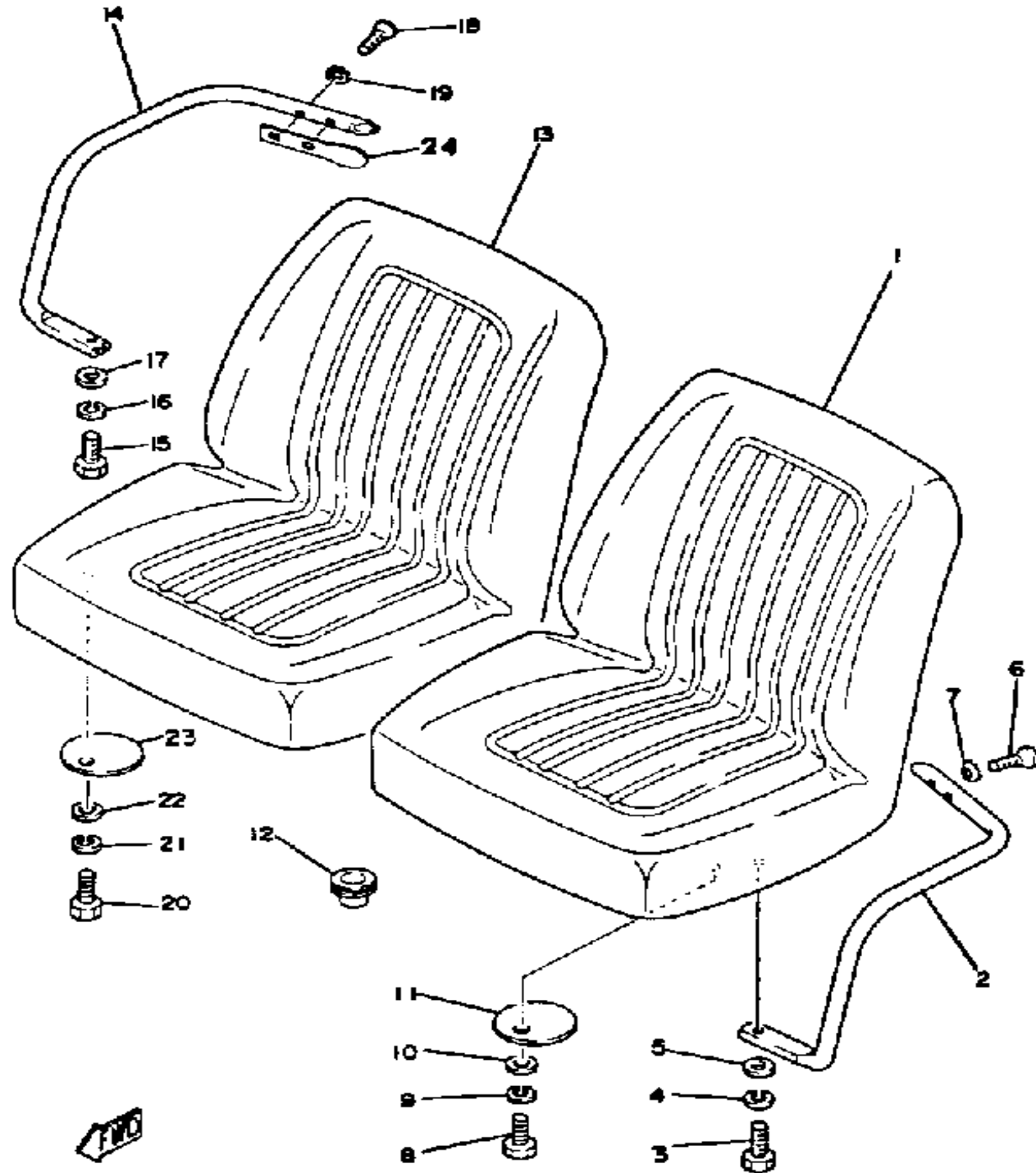
CONTENTS

ACCELERATOR	C3
AIR FILTER	A7-8
AIR SHROUD FAN	A4
BODY	C12, D1
BODY FITTING	D2-3
BRAKE	B10-12
BUMPER	C10-11
CARBURETOR	A9
CARRIER	D4-5
CDI MAGNETO	D10-11
CRANKCASE	A11
CRANKSHAFT PISTON	A3
CYLINDER HEAD CYLINDER	A2
DRUM BRAKE	C1-2
ELECTRICAL 1	D12, E1
EXHAUST	A10
FRAME	B1
FRONT SUSPENSION WHEEL	B2-4
FUEL TANK	B8-9
GENERATOR	D7-8
GOVERNOR	C4
OIL PUMP	A5
OIL TANK	B7
PRIMARY SHEAVE	C5
PUMP DRIVE GEAR	A6
REAR AXLE WHEEL	C9
REAR SHOCKS	A12
SEAT	D6
SECONDARY SHEAVE	C6
STARTER PULLEY	D9
STEERING	B5-6
TRANSMISSION	C7-8



D5

SEAT

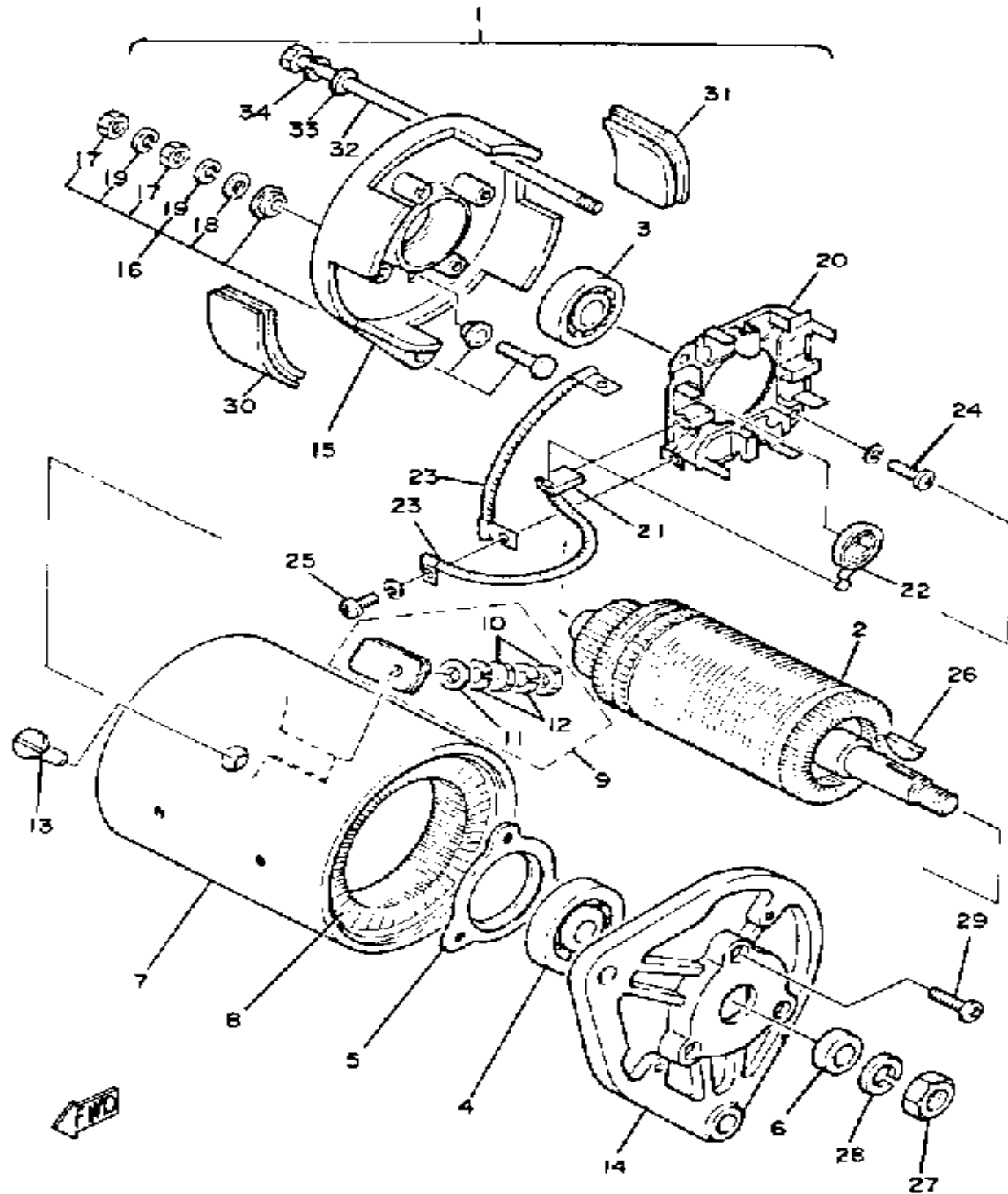


Ref. No.	Part Number	Description	Qty	Remarks
1	J10-78401-04-00	GOLF CAR SEAT (L) (J10-78401-02-00)	1	
2	J10-78361-00-00	ARM REST 1	1	
3	97013-10030-00	BOLT (8J7) (97303-10030-00)	1	
4	92990-10100-00	WASHER, SPRING	1	
5	92990-10600-00	WASHER, PLATE	1	
6	98680-08035-00	SCREW, OVALHEAD	2	
7	92990-08500-00	WASHER, EX.TOOTH (92901-08500-00)	2	
8	97001-08025-00	BOLT (1NV)	4	
9	92990-08100-00	WASHER	4	
10	90201-08310-00	WASHER, PLATE	4	
11	J10-78439-00-00	WASHER, SEAT	4	
12	90480-42282-00	GROMMET	2	
13	J10-78403-04-00	SEAT SUB-ASSEMBLY, CUSHION 2 (99999-01263-00)	1	
14	J10-78362-00-93	ARM REST 2	1	
15	97013-10030-00	BOLT (8J7) (97303-10030-00)	1	
16	92990-10100-00	WASHER, SPRING	1	
17	92990-10600-00	WASHER, PLATE	1	
18	98680-08035-00	SCREW, OVALHEAD	2	
19	92990-08500-00	WASHER, EX.TOOTH (92901-08500-00)	2	
20	97001-08025-00	BOLT (1NV)	4	
21	92990-08100-00	WASHER	4	
22	90201-08310-00	WASHER, PLATE	4	
23	J10-78439-00-00	WASHER, SEAT	4	
24	J17-78348-00-00	SPACER, ARM REST	2	

CONTENTS

ACCELERATOR	C3
AIR FILTER	A7-8
AIR SHROUD FAN	A4
BODY	C12, D1
BODY FITTING	D2-3
BRAKE	B10-12
BUMPER	C10-11
CARBURETOR	A9
CARRIER	D4-5
CDI MAGNETO	D10-11
CRANKCASE	A11
CRANKSHAFT PISTON	A3
CYLINDER HEAD CYLINDER	A2
DRUM BRAKE	C1-2
ELECTRICAL 1	D12, E1
EXHAUST	A10
FRAME	B1
FRONT SUSPENSION WHEEL	B2-4
FUEL TANK	B8-9
GENERATOR	D7-8
GOVERNOR	C4
OIL PUMP	A5
OIL TANK	B7
PRIMARY SHEAVE	C5
PUMP DRIVE GEAR	A6
REAR AXLE WHEEL	C9
REAR SHOCKS	A12
SEAT	D6
SECONDARY SHEAVE	C6
STARTER PULLEY	D9
STEERING	B5-6
TRANSMISSION	C7-8

GENERATOR



Ref. No.	Part Number	Description	Qty	Remarks
1	J10-81100-10-00	STARTER GENERATOR ASSEMBLY	1	
2	J10-81150-10-00	. ARMATURE ASSEMBLY	1	
3	J10-81157-10-00	. BEARING 1 (6202 SD)	1	
4	J10-81158-10-00	. BEARING 2 (6203 SD)	1	
5	J10-81159-10-00	. HOLDER, BEARING	1	
6	J10-81175-10-00	. STOPPER 1	1	
7	J10-81110-10-00	. STATOR ASSEMBLY	1	
8	J10-81160-10-00	. FIELD COIL ASSEMBLY	1	
9	J10-81148-10-00	. SCREW SET 4	2	
10	95380-06600-00	.. NUT (95303-06600-00)	4	
11	92901-06600-00	.. WASHER	2	
12	92995-06100-00	.. WASHER, SPRING (92990-06100-00)	4	
13	J10-81146-10-00	. SCREW	4	
14	J10-81165-10-00	. BRACKET, STARTER GENERATOR 1	1	
15	J10-81166-10-00	. BRACKET, STARTER GENERATOR 2	1	
16	J10-81147-10-00	. SCREW	2	
17	95380-06600-00	.. NUT (95303-06600-00)	4	
18	92901-06600-00	.. WASHER	2	
19	92995-06100-00	.. WASHER, SPRING (92990-06100-00)	4	
20	J10-81119-10-00	. BRUSH HOLDER ASSEMBLY	1	
21	J10-81111-10-00	. BRUSH	4	
22	J10-81113-10-00	. SPRING, BRUSH	4	
23	J10-81115-10-00	. WIRE, LEAD	2	
24	98580-05016-00	. SCREW, PAN HEAD	2	
25	98580-04010-00	. SCREW, PAN HEAD	4	
26	J38-81163-10-00	. KEY	1	

CONTENTS

ACCELERATOR	C3
AIR FILTER	A7-8
AIR SHROUD FAN	A4
BODY	C12, D1
BODY FITTING	D2-3
BRAKE	B10-12
BUMPER	C10-11
CARBURETOR	A9
CARRIER	D4-5
CDI MAGNETO	D10-11
CRANKCASE	A11
CRANKSHAFT PISTON	A3
CYLINDER HEAD CYLINDER	A2
DRUM BRAKE	C1-2
ELECTRICAL 1	D12, E1
EXHAUST	A10
FRAME	B1
FRONT SUSPENSION WHEEL	B2-4
FUEL TANK	B8-9
GENERATOR	D7-8
GOVERNOR	C4
OIL PUMP	A5
OIL TANK	B7
PRIMARY SHEAVE	C5
PUMP DRIVE GEAR	A6
REAR AXLE WHEEL	C9
REAR SHOCKS	A12
SEAT	D6
SECONDARY SHEAVE	C6
STARTER PULLEY	D9
STEERING	B5-6
TRANSMISSION	C7-8

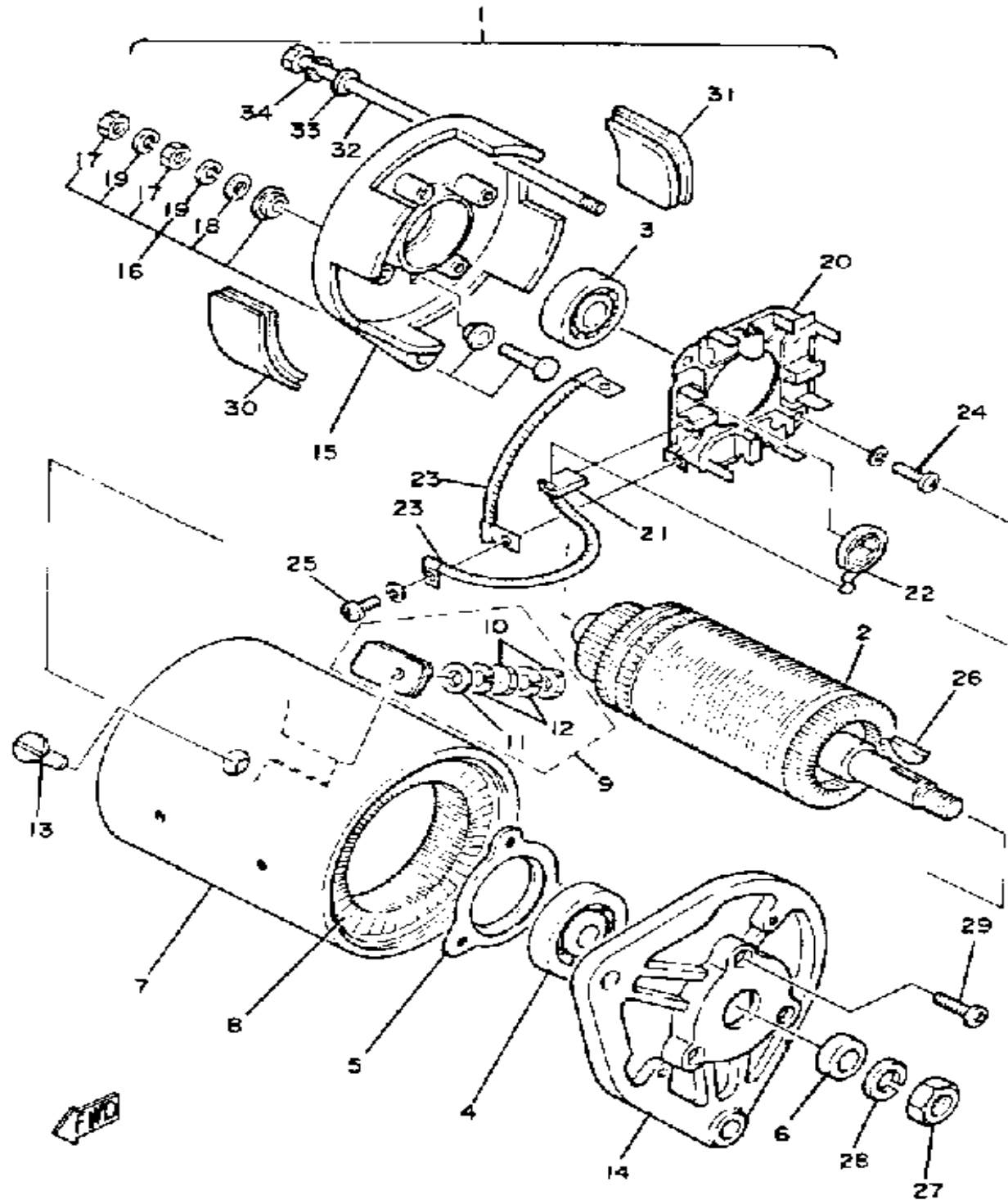
CONTINUED ON NEXT FRAME ►

GENERATOR

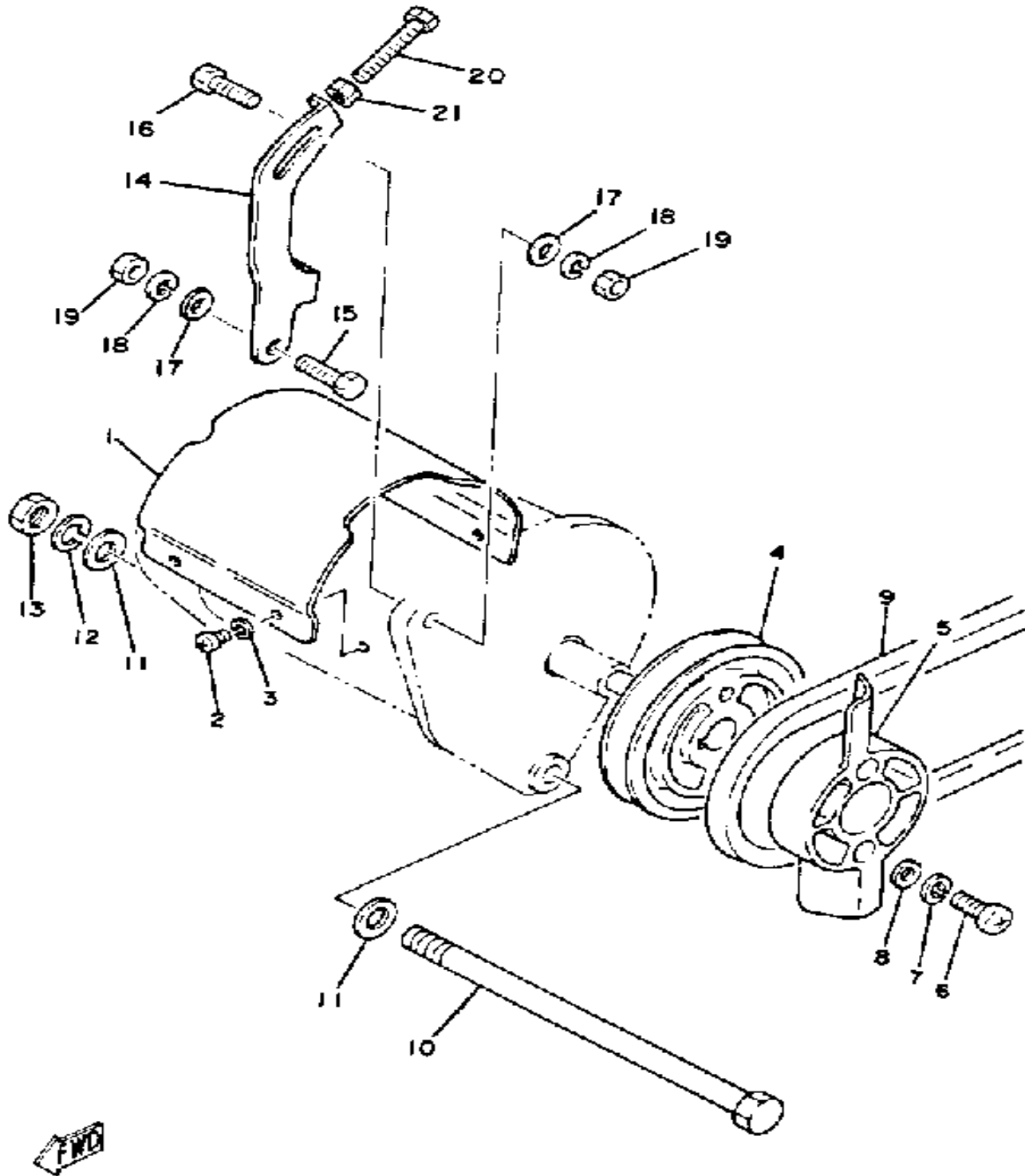
Ref. No.	Part Number	Description	Qty	Remarks
27	95301-14700-00	. NUT	1	
28	92901-14100-00	. WASHER, SPRING	1	
29	98501-05018-00	. SCREW, PAN HEAD	3	
30	J10-81129-10-00	. COVER, BRUSH	3	
31	J10-81129-10-00	. COVER, BRUSH	1	
32	J10-81145-10-00	. SCREW 1	2	
33	92901-06600-00	. WASHER	2	
34	92995-06100-00	. WASHER, SPRING (92990-06100-00)	2	

CONTENTS

ACCELERATOR	C3
AIR FILTER	A7-8
AIR SHROUD FAN	A4
BODY	C12, D1
BODY FITTING	D2-3
BRAKE	B10-12
BUMPER	C10-11
CARBURETOR	A9
CARRIER	D4-5
CDI MAGNETO	D10-11
CRANKCASE	A11
CRANKSHAFT PISTON	A3
CYLINDER HEAD CYLINDER	A2
DRUM BRAKE	C1-2
ELECTRICAL 1	D12, E1
EXHAUST	A10
FRAME	B1
FRONT SUSPENSION WHEEL	B2-4
FUEL TANK	B8-9
GENERATOR	D7-8
GOVERNOR	C4
OIL PUMP	A5
OIL TANK	B7
PRIMARY SHEAVE	C5
PUMP DRIVE GEAR	A6
REAR AXLE WHEEL	C9
REAR SHOCKS	A12
SEAT	D6
SECONDARY SHEAVE	C6
STARTER PULLEY	D9
STEERING	B5-6
TRANSMISSION	C7-8



STARTER PULLEY

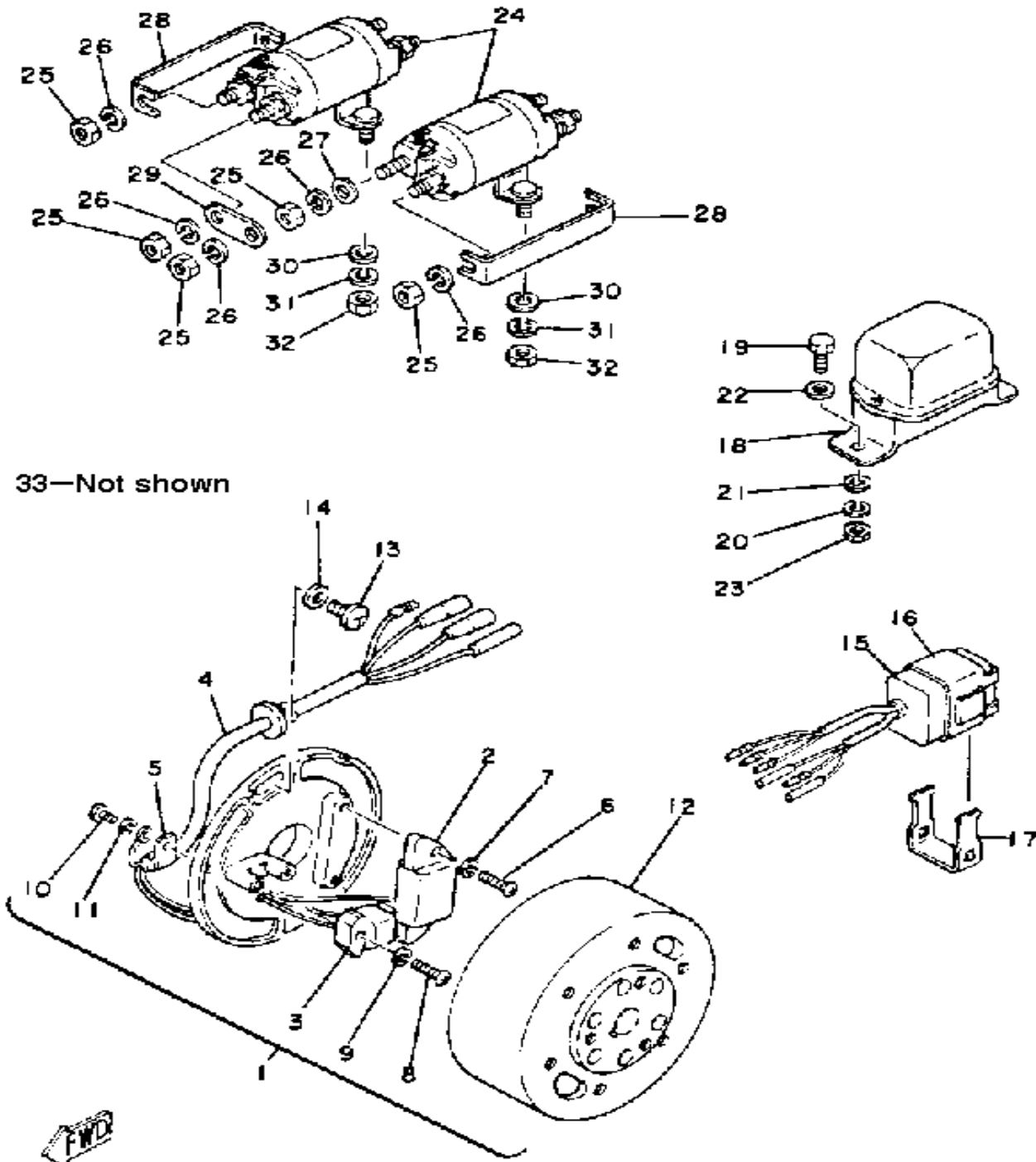


Ref. No.	Part Number	Description	Qty	Remarks
1	J17-87183-00-00	INSULATOR, GEN	1	
2	98580-05010-00	SCREW, PAN HEAD	4	
3	92990-05100-00	WASHER, SPRING	4	
4	J10-81161-01-00	PULLEY	1	
5	J10-87172-00-00	FAN, GENERATOR	1	
6	98511-06025-00	SCREW PAN HEAD (92501-06025-00)	2	
7	92995-06100-00	WASHER, SPRING (92990-06100-00)	2	
8	92901-06600-00	WASHER	2	
9	J10-81173-00-XX	BELT	1	
10	90101-12545-00	BOLT	1	
11	92990-12600-00	WASHER, PLATE (92902-12600-00)	2	
12	92901-12100-00	WASHER, SPRING	1	
13	95303-12600-00	NUT	1	
14	J17-81170-00-00	TENSIONER ASSEMBLY (92902-08100-00)	1	
15	97001-08025-00	BOLT (1NV)	1	
16	90109-08653-00	BOLT	1	
17	92901-08600-00	WASHER	2	
18	92990-08100-00	WASHER	2	
19	95333-08600-00	NUT (6L2)	2	
20	90101-06410-00	BOLT	1	
21	95380-06700-00	NUT	1	

CONTENTS

ACCELERATOR	C3
AIR FILTER	A7-8
AIR SHROUD FAN	A4
BODY	C12, D1
BODY FITTING	D2-3
BRAKE	B10-12
BUMPER	C10-11
CARBURETOR	A9
CARRIER	D4-5
CDI MAGNETO	D10-11
CRANKCASE	A11
CRANKSHAFT PISTON	A3
CYLINDER HEAD CYLINDER	A2
DRUM BRAKE	C1-2
ELECTRICAL 1	D12, E1
EXHAUST	A10
FRAME	B1
FRONT SUSPENSION WHEEL	B2-4
FUEL TANK	B8-9
GENERATOR	D7-8
GOVERNOR	C4
OIL PUMP	A5
OIL TANK	B7
PRIMARY SHEAVE	C5
PUMP DRIVE GEAR	A6
REAR AXLE WHEEL	C9
REAR SHOCKS	A12
SEAT	D6
SECONDARY SHEAVE	C6
STARTER PULLEY	D9
STEERING	B5-6
TRANSMISSION	C7-8

CDI MAGNETO



Ref. No.	Part Number	Description	Qty	Remarks
1	J10-85500-20-00	CDI MAGNETO ASSEMBLY ...	1	
2	8G8-85511-20-00	. COIL SOURCE 1	1	
3	J10-85580-20-00	. COIL, PULSER	1	
4	J10-85515-20-00	. LEAD WIRE ASSEMBLY	1	
5	104-81328-20-00	. CLAMP	2	
6	98580-05020-00	. SCREW, PAN HEAD	2	
7	92990-05100-00	. WASHER, SPRING	2	
8	98511-04020-00	. SCREW, PAN HEAD	2	
9	92901-04100-00	. WASHER, SPRING	2	
10	98580-04008-00	. SCREW, PAN HEAD (98501-04008-00)	1	
11	92901-04100-00	. WASHER, SPRING	1	
12	J10-85550-20-00	. ROTOR ASSEMBLY	1	
13	98903-06014-00	SCREW, BIND	2	
14	90201-06043-00	WASHER, PLATE	2	
15	J10-85540-20-00	CDI UNIT ASSEMBLY	1	
16	2A7-85546-00-00	BAND	1	
17	82M-21245-00-00	BOX	1	
18	J10-81910-10-00	VOLTAGE REG ASSEMBLY ..	1	
19	97313-06016-00	BOLT, HEXAGON	2	
20	92995-06100-00	WASHER, SPRING (92990-06100-00)	2	
21	92901-06600-00	WASHER	2	
22	90201-06043-00	WASHER, PLATE	2	
23	95380-06600-00	NUT (95303-06600-00)	2	
24	J17-81950-01-00	RELAY ASSEMBLY	2	
25	95303-08700-00	. NUT	8	
26	92990-08100-00	. WASHER	8	
27	92901-08600-00	. WASHER	4	
28	J17-86126-00-00	PLATE, CONNECTING 1	2	
29	J17-86127-00-00	PLATE, CONNECTING 2	2	

CONTENTS

ACCELERATOR	C3
AIR FILTER	A7-8
AIR SHROUD FAN	A4
BODY	C12, D1
BODY FITTING	D2-3
BRAKE	B10-12
BUMPER	C10-11
CARBURETOR	A9
CARRIER	D4-5
CDI MAGNETO	D10-11
CRANKCASE	A11
CRANKSHAFT PISTON	A3
CYLINDER HEAD CYLINDER	A2
DRUM BRAKE	C1-2
ELECTRICAL 1	D12, E1
EXHAUST	A10
FRAME	B1
FRONT SUSPENSION WHEEL	B2-4
FUEL TANK	B8-9
GENERATOR	D7-8
GOVERNOR	C4
OIL PUMP	A5
OIL TANK	B7
PRIMARY SHEAVE	C5
PUMP DRIVE GEAR	A6
REAR AXLE WHEEL	C9
REAR SHOCKS	A12
SEAT	D6
SECONDARY SHEAVE	C6
STARTER PULLEY	D9
STEERING	B5-6
TRANSMISSION	C7-8

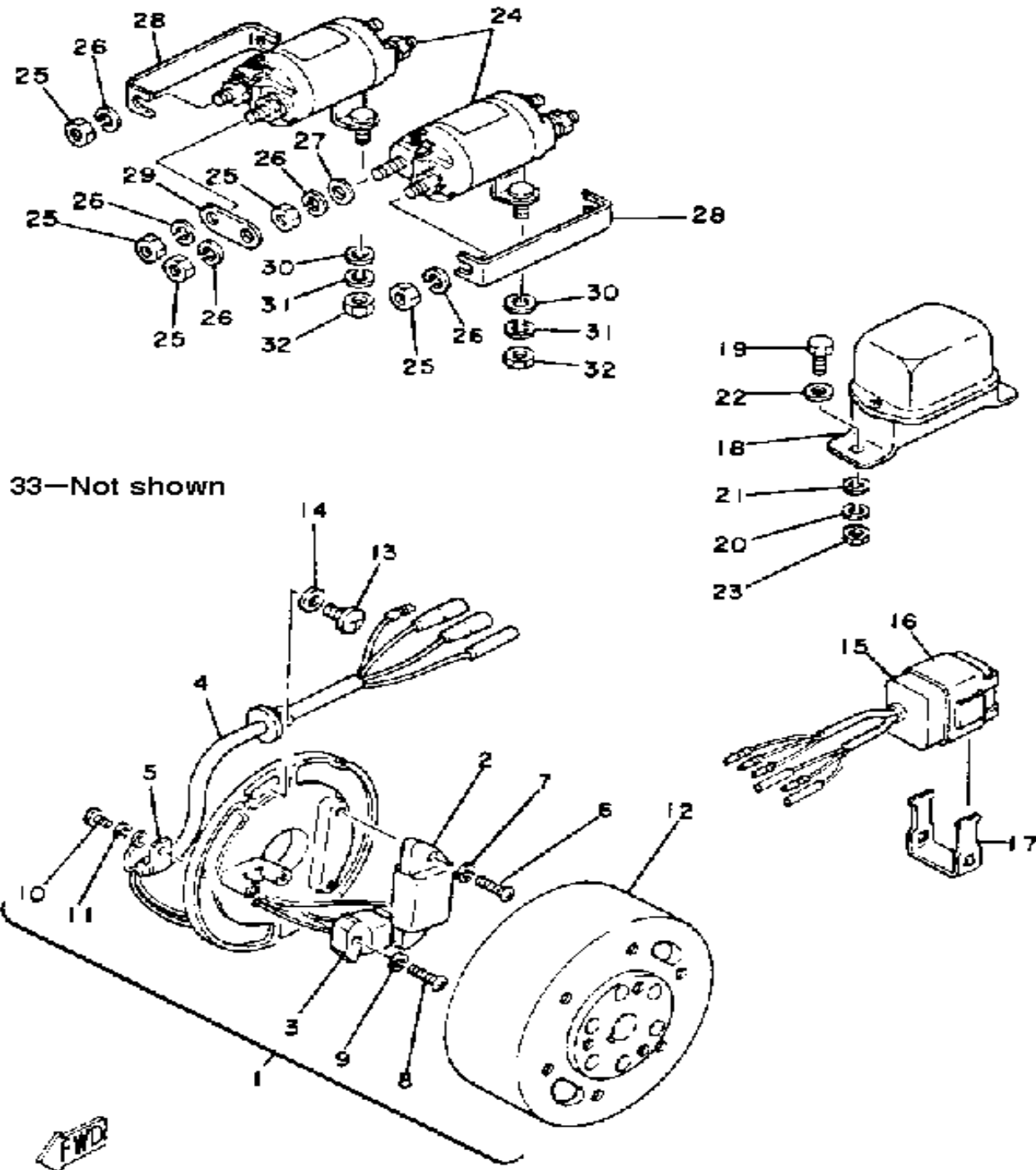
CONTINUED ON NEXT FRAME ►

CDI MAGNETO

Ref. No.	Part Number	Description	Qty	Remarks
30	92990-08200-00	WASHER, PLAIN (92902-08100-00)	4	
31	92990-08100-00	WASHER	4	
32	95333-08600-00	NUT (6L2)	4	
33	J17-81920-19-00	SOLENOID REBUILD KIT	1	NOT SHOWN

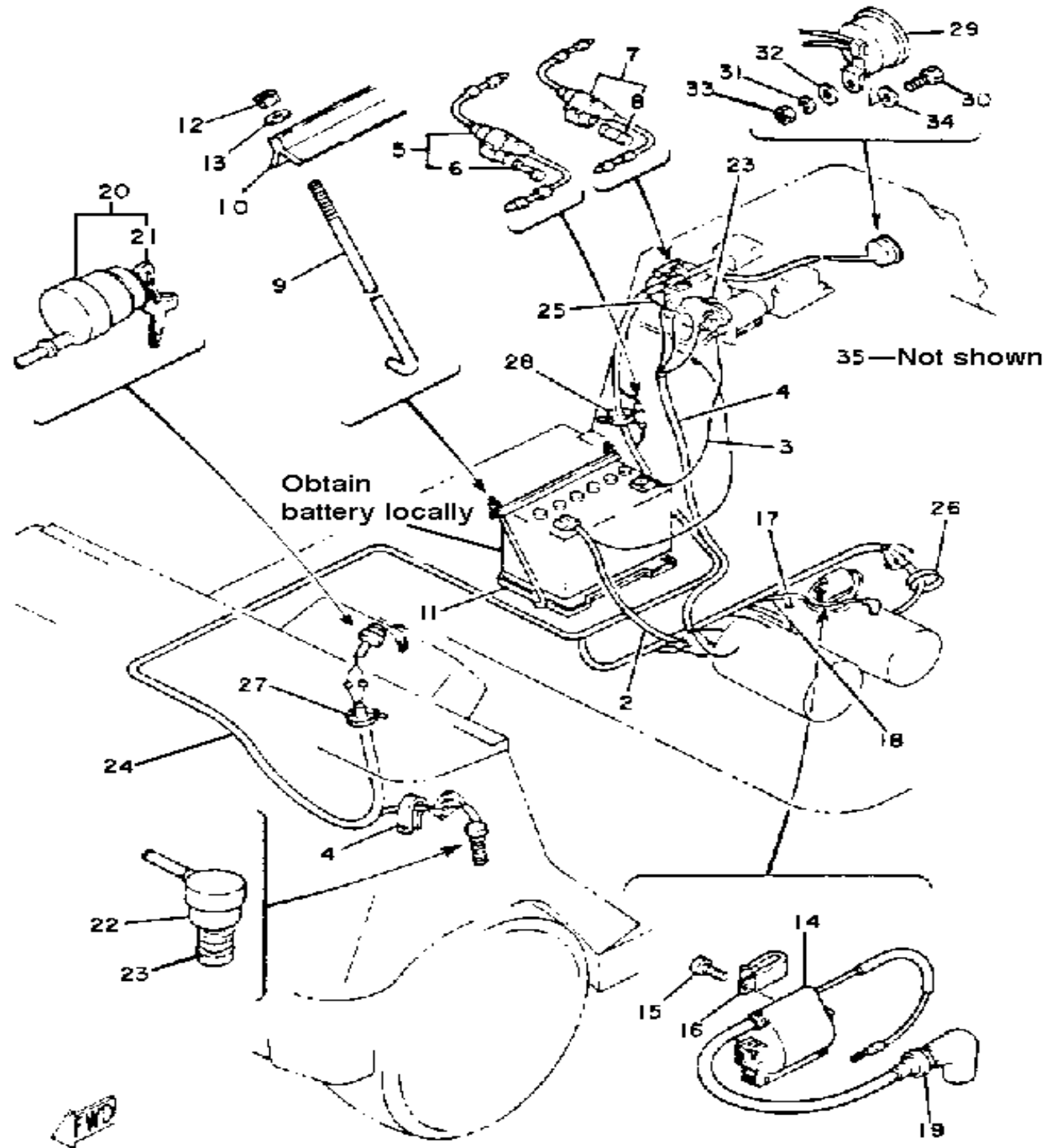
CONTENTS

ACCELERATOR	C3
AIR FILTER	A7-8
AIR SHROUD FAN	A4
BODY	C12, D1
BODY FITTING	D2-3
BRAKE	B10-12
BUMPER	C10-11
CARBURETOR	A9
CARRIER	D4-5
CDI MAGNETO	D10-11
CRANKCASE	A11
CRANKSHAFT PISTON	A3
CYLINDER HEAD CYLINDER	A2
DRUM BRAKE	C1-2
ELECTRICAL 1	D12, E1
EXHAUST	A10
FRAME	B1
FRONT SUSPENSION WHEEL	B2-4
FUEL TANK	B8-9
GENERATOR	D7-8
GOVERNOR	C4
OIL PUMP	A5
OIL TANK	B7
PRIMARY SHEAVE	C5
PUMP DRIVE GEAR	A6
REAR AXLE WHEEL	C9
REAR SHOCKS	A12
SEAT	D6
SECONDARY SHEAVE	C6
STARTER PULLEY	D9
STEERING	B5-6
TRANSMISSION	C7-8



D11

ELECTRICAL 1



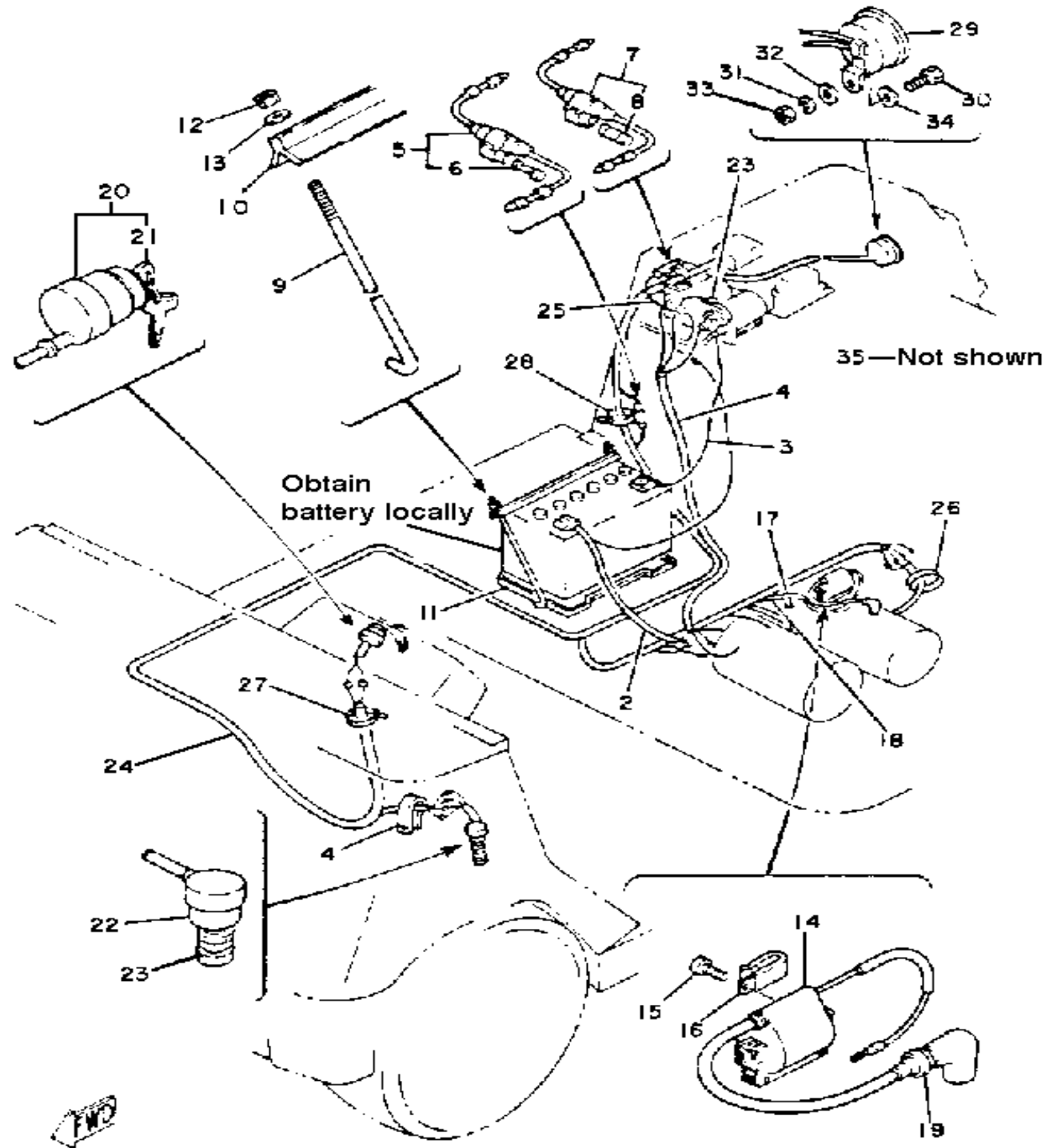
Ref. No.	Part Number	Description	Qty	Remarks
1	J17-82105-00-00	WIRE HARNESS	1	
2	J10-82115-00-00	WIRE, PLUS LEAD	1	
3	J17-82116-00-00	WIRE, MINUS LEAD	1	
4	90465-08028-00	CLAMP	1	
5	1E6-82150-00-00	FUSE HOLDER ASSEMBLY	1	
6	1E6-82151-00-00	. FUSE (10A)	2	
7	1E6-82150-00-00	FUSE HOLDER ASSEMBLY	1	
8	1E6-82151-00-00	. FUSE (10A)	2	
9	J17-82133-00-00	SCREW, FITTING	2	
10	J55-H2136-00-00	PLATE, BATTERY FITTING	1	
11	J55-H2122-00-00	SEAT, BATTERY	1	
12	95701-06300-00	NUT, NYLON	2	
13	92990-06200-00	WASHER	2	
14	5G4-82310-40-00	IGNITION COIL ASSEMBLY (J17-82310-21-00)	1	
15	98511-06025-00	SCREW PAN HEAD (92501-06025-00)	2	
16	90465-06038-00	CLAMP	1	
17	90462-08056-00	CLAMP	1	
18	J42-82318-00-00	WIRE, SUB-LEAD	1	
19	512-82370-10-00	PLUG CAP ASSEMBLY	1	WITH NOISE SUPPRESSOR
20	J17-82508-20-00	MAIN SWITCH ASSEMBLY	1	
21	J17-82511-20-00	. KEY, MAIN SWITCH	2	
22	J17-82550-01-00	STOP SWITCH ASSEMBLY	1	
23	J10-82532-00-00	. CAP, RUBBER	1	
24	99999-01220-00	WIRE HARNESS ASSEMBLY	1	(J17-82590-21-00)
25	J42-82318-00-00	WIRE, SUB-LEAD	1	
26	437-83936-01-00	BAND, SWITCH CORD	1	
27	25G-83936-01-00	BAND, SWITCH CORD	1	
28	90464-12036-00	CLAMP	4	

CONTENTS

ACCELERATOR	C3
AIR FILTER	A7-8
AIR SHROUD FAN	A4
BODY	C12, D1
BODY FITTING	D2-3
BRAKE	B10-12
BUMPER	C10-11
CARBURETOR	A9
CARRIER	D4-5
CDI MAGNETO	D10-11
CRANKCASE	A11
CRANKSHAFT PISTON	A3
CYLINDER HEAD CYLINDER	A2
DRUM BRAKE	C1-2
ELECTRICAL 1	D12, E1
EXHAUST	A10
FRAME	B1
FRONT SUSPENSION WHEEL	B2-4
FUEL TANK	B8-9
GENERATOR	D7-8
GOVERNOR	C4
OIL PUMP	A5
OIL TANK	B7
PRIMARY SHEAVE	C5
PUMP DRIVE GEAR	A6
REAR AXLE WHEEL	C9
REAR SHOCKS	A12
SEAT	D6
SECONDARY SHEAVE	C6
STARTER PULLEY	D9
STEERING	B5-6
TRANSMISSION	C7-8

CONTINUED ON NEXT FRAME >

ELECTRICAL 1



Ref. No.	Part Number	Description	Qty	Remarks
29	J10-83383-02-00	BUZZER	1	
30	97313-06016-00	BOLT, HEXAGON	1	
31	92995-06100-00	WASHER, SPRING (92990-06100-00)	1	
32	92901-06600-00	WASHER	1	
33	95380-06600-00	NUT (95303-06600-00)	1	
34	90201-06043-00	WASHER, PLATE	1	
35	J17-86177-00-00	. WIRE, LEAD 7	1	NOT SHOWN

CONTENTS

ACCELERATOR	C3
AIR FILTER	A7-8
AIR SHROUD FAN	A4
BODY	C12, D1
BODY FITTING	D2-3
BRAKE	B10-12
BUMPER	C10-11
CARBURETOR	A9
CARRIER	D4-5
CDI MAGNETO	D10-11
CRANKCASE	A11
CRANKSHAFT PISTON	A3
CYLINDER HEAD CYLINDER	A2
DRUM BRAKE	C1-2
ELECTRICAL 1	D12, E1
EXHAUST	A10
FRAME	B1
FRONT SUSPENSION WHEEL	B2-4
FUEL TANK	B8-9
GENERATOR	D7-8
GOVERNOR	C4
OIL PUMP	A5
OIL TANK	B7
PRIMARY SHEAVE	C5
PUMP DRIVE GEAR	A6
REAR AXLE WHEEL	C9
REAR SHOCKS	A12
SEAT	D6
SECONDARY SHEAVE	C6
STARTER PULLEY	D9
STEERING	B5-6
TRANSMISSION	C7-8