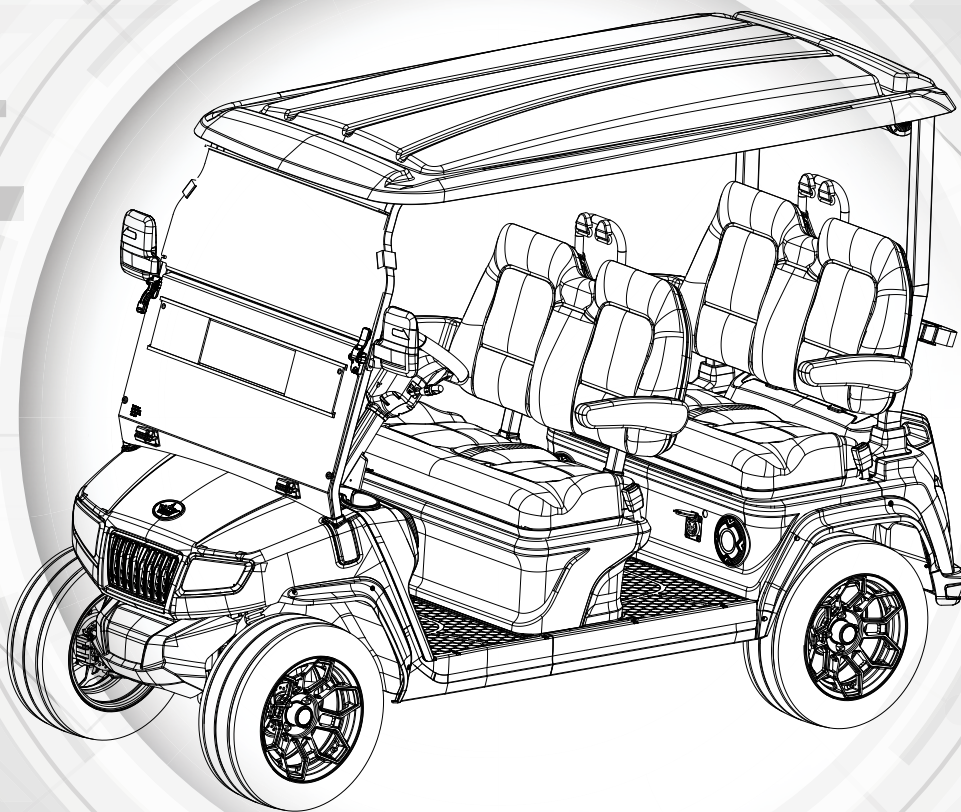




Explosive View Parts Manual Of **D5 MODELS**

Zero Emissions. Zero Hassles. Zero Compromises.

V1.0



EVOLUTION ELECTRIC VEHICLES INC

Corporate Offices, 2620 Palisades Dr, Corona CA 92882

Florida Distribution, 7600 Narcoossee Rd, Orlando, FL 32822

Texas Distribution, 4053 Grand Lakes Way, Grand Prairie, TX 75050

Tel: 951-268-6689 Email: info@evolutionelectricvehicle.com

www.evolutionelectricvehicle.com

COPYRIGHTS RESERVED BY EVOLUTION ELECTRIC VEHICLES.

FORWARD

Read all of this manual to become thoroughly familiar with this vehicle. Particularly important information is emphasized in this manual .

The use of non Original Equipment Manufacturer (OEM) approved parts may void the warranty.

Tampering with or adjusting the governor to permit vehicle to operate at above factory specifications will void the vehicle warranty .

EXPLOSIVE VIEW LITHIUM-ION BATTERY POWERED VEHICLE

D5

STARTING MODEL YEAR 2022

Thank you for choosing this vehicle. This explosive view provides information on everything you need to know for your service with Evolution D5 models.

This Evolution's explosive view contains important information that you will need for the proper service and handling of your Evolution Vehicle.

Evolution is not liable for errors in this explosive view or for incidental or consequential damages that result from the use of the material in this explosive view. In order to insure all the information is correct, there may be changes to make according to improvements of the products at the time of printing, we reserve the rights to make corrections as well as product alterations and improvements at any time without notice. Trademarks are the property of Evolution Electric Vehicles, Inc. or their respective owners.

TO CONTACT US

Evolution Electric Vehicles

CA: 2620 Palisades Dr, Corona CA 92882

TX: 4053 Grand Lakes Way, Grand Prairie, TX 75050

FL: 7600 Narcoossee Rd, Orlando, FL 32822

Phone Number: 951-268-6689

Email: info@evolutionelectricvehicle.com

www.evolutionelectricvehicle.com



Explosive View

Reference:	EV20230503-01		
Version:	01.1	Category:	EV

MODEL(S)	GOAL	
Evolution D5 Models	Quality improvement	
	Performance	√
	Upgrade	√
PARTS INFO	Down time	
	Maintenance	√
	Work around	√
	<u>Others:</u>	

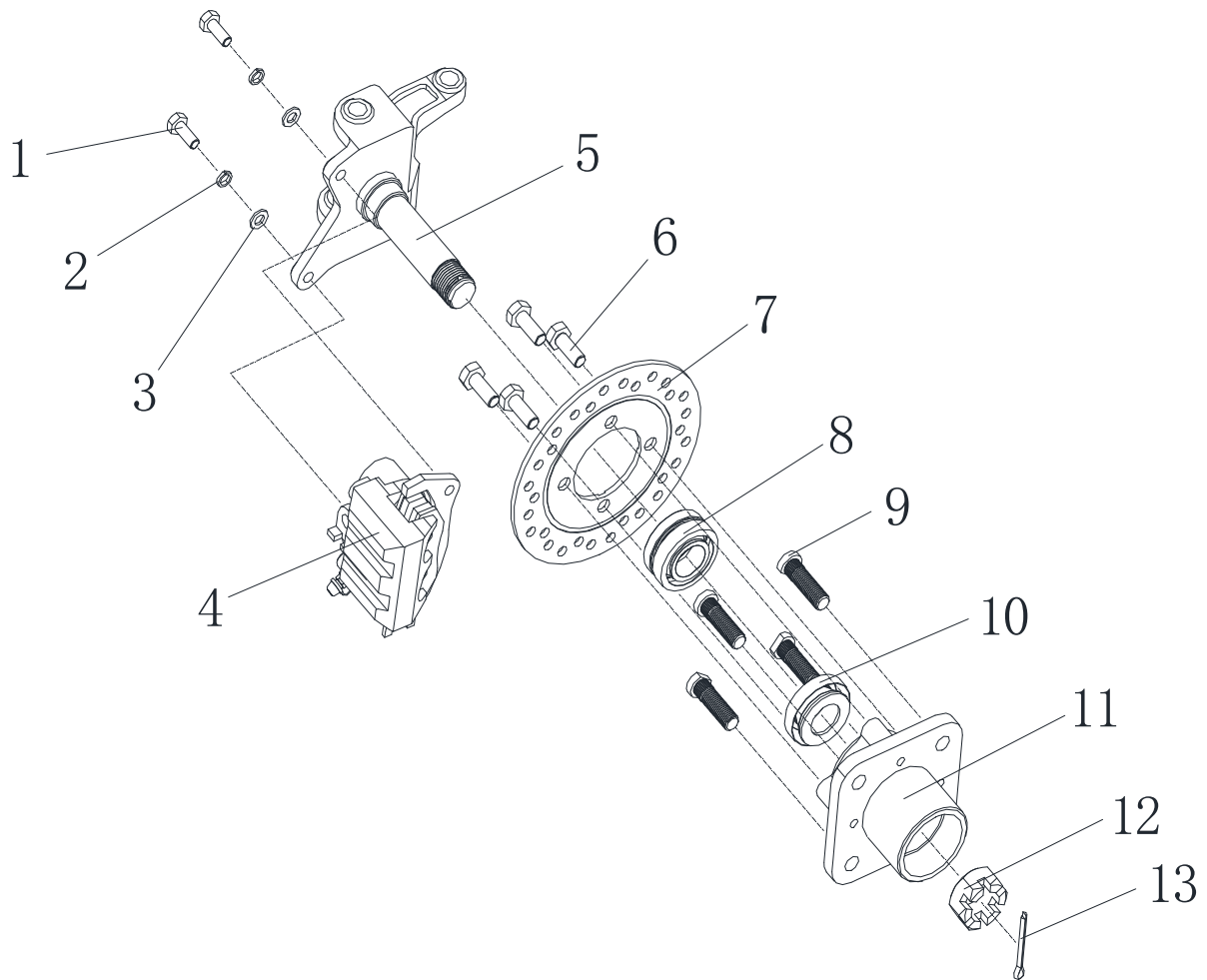
VERSION CONTROL:			
Author:	Version:	Date:	Change/update:
Chloe	01.0	2023/05/03	

TITLE
Evolution D5 Explosive View Parts Manual

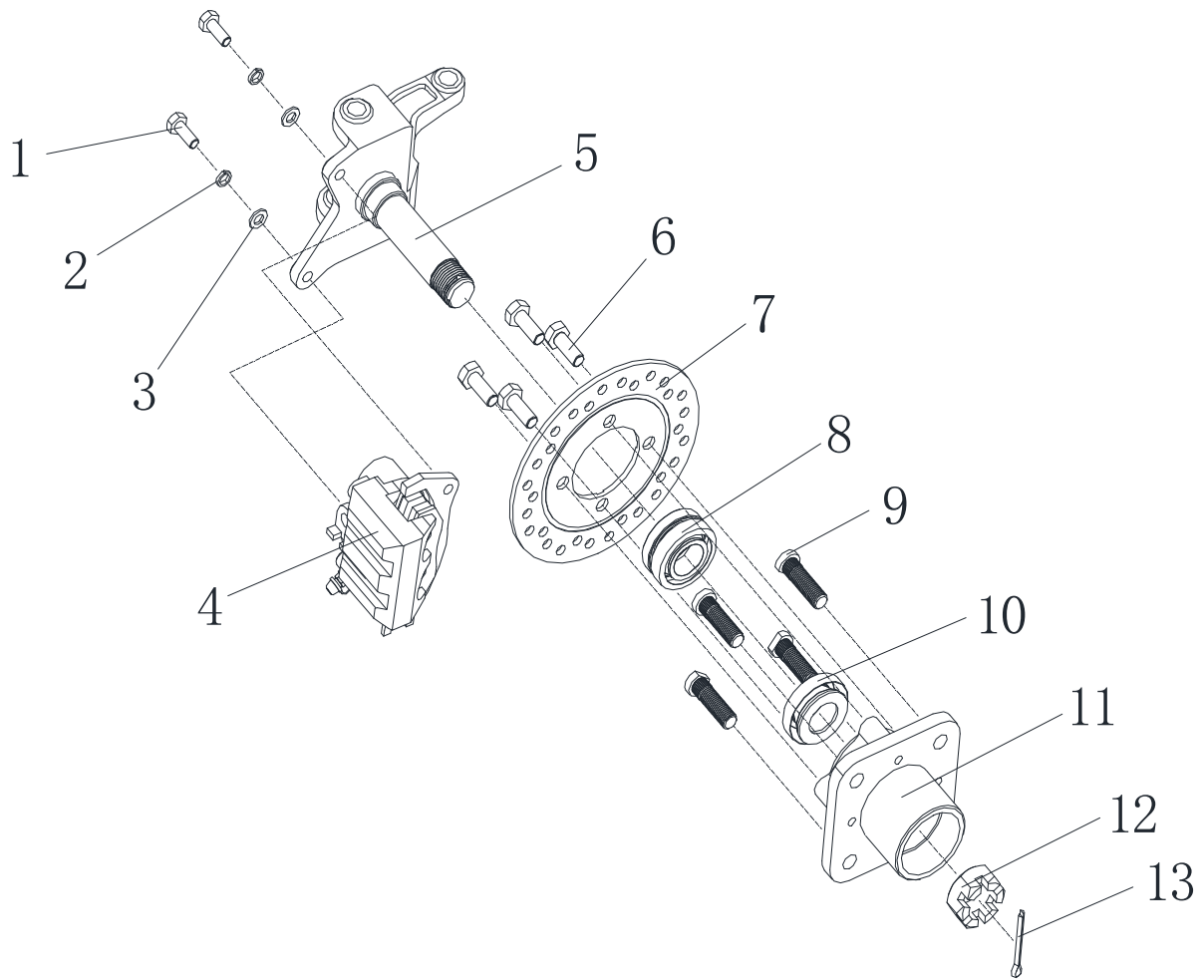
FRONT HUB & SPINDLE ASSEMBLY INSTALLATION

FRONT HUB & SPINDLE ASSEMBLY INSTALLATION.....	1
STEERING GEAR BOX INSTALLATION.....	4
STEERING COLUMN INSTALLATION.....	6
FRONT SUSPENSION ASSEMBLY.....	10
REAR END ASSEMBLY.....	12
REAR SUSPENSION ASSEMBLY.....	27
CONTROLLER PANEL INSTALLATION.....	31
TYRE AND RIM ASSEMBLY.....	38
BASE BOARD INSTALLATION.....	41
REAR STORAGE BOX ASSEMBLY.....	48
REAR BODY INSTALLATION.....	51
DASHBOARD INSTALLATION.....	62
STEERING WHEEL INSTALLATION.....	74
FRONT COWL INSTALLATION.....	77
CANOPY ASSEMBLY INSTALLATION.....	81
SEAT ASSEMBLY INSTALLATION.....	93
WHELL INNER PANEL INSTALLATION.....	103
GOLF BAG HOLDER INSTALLATION.....	107

FRONT HUB & SPINDLE ASSEMBLY INSTALLATION



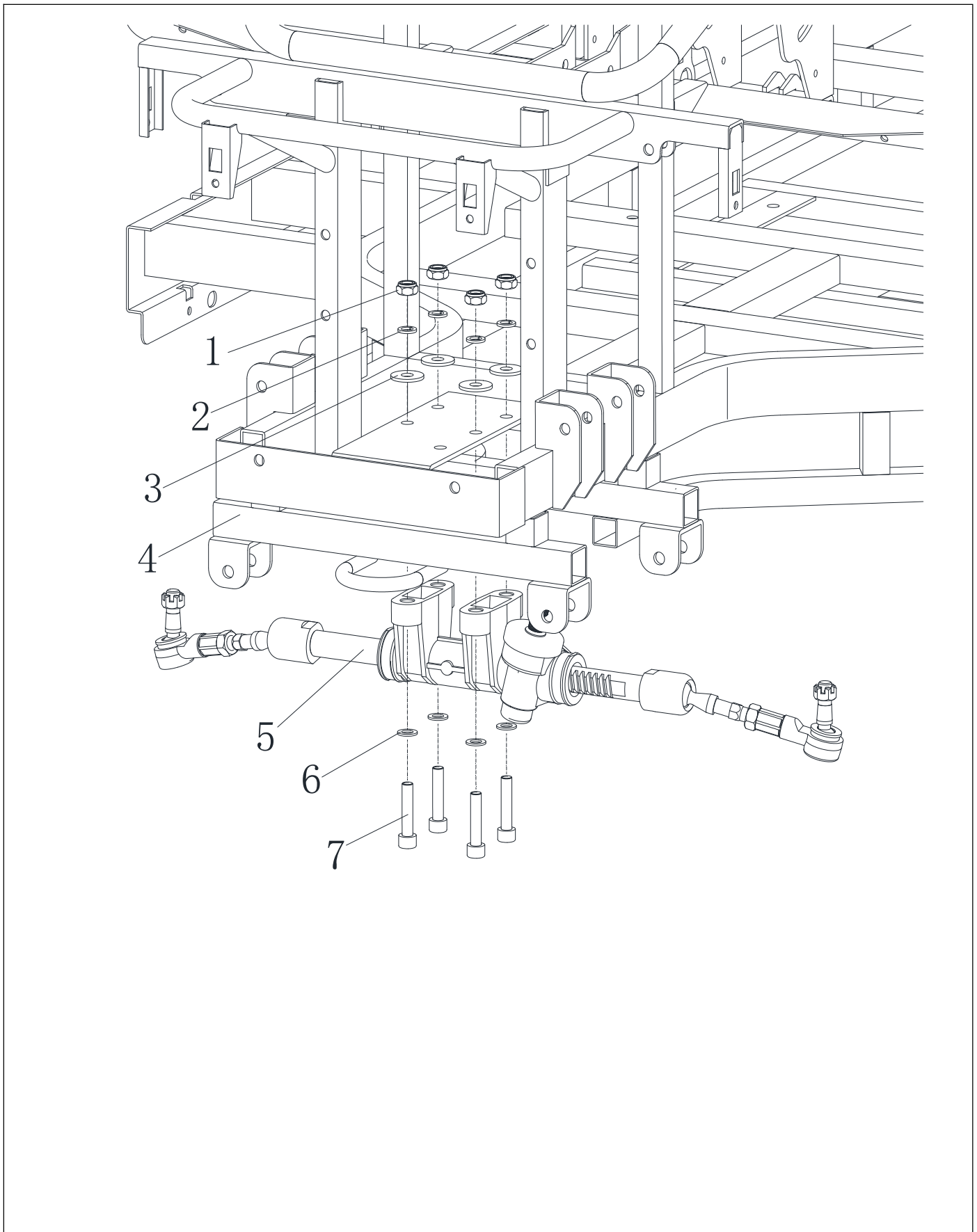
FRONT HUB & SPINDLE ASSEMBLY INSTALLATION



FRONT HUB & SPINDLE ASSEMBLY INSTALLATION PARTS LIST

ITEM	PART NO.	PART DESCRIPTION	QTY.
1	/	HEX HEAD BOLT, M8×20	2
2	/	SNAP WASHER, M8	2
3	/	WASHER, M8	2
4	/	FRONT HYDRUALIC BRAKE CALIPER	1
5	/	SPINDLE	1
6	/	HEX HEAD BOLT, M10×25	4
7	/	HYDRUALIC BRAKE DISC	1
8	/	BEARING	1
9	1.08.0002	STUD FOR FRONT HUB, M12×40	4
10	/	BEARING	1
11	/	FRONT HUB STEEL	1
12	1.08.0026	CASTLE NUT, M24×1.5	1
13	/	RIVET,5×18	1

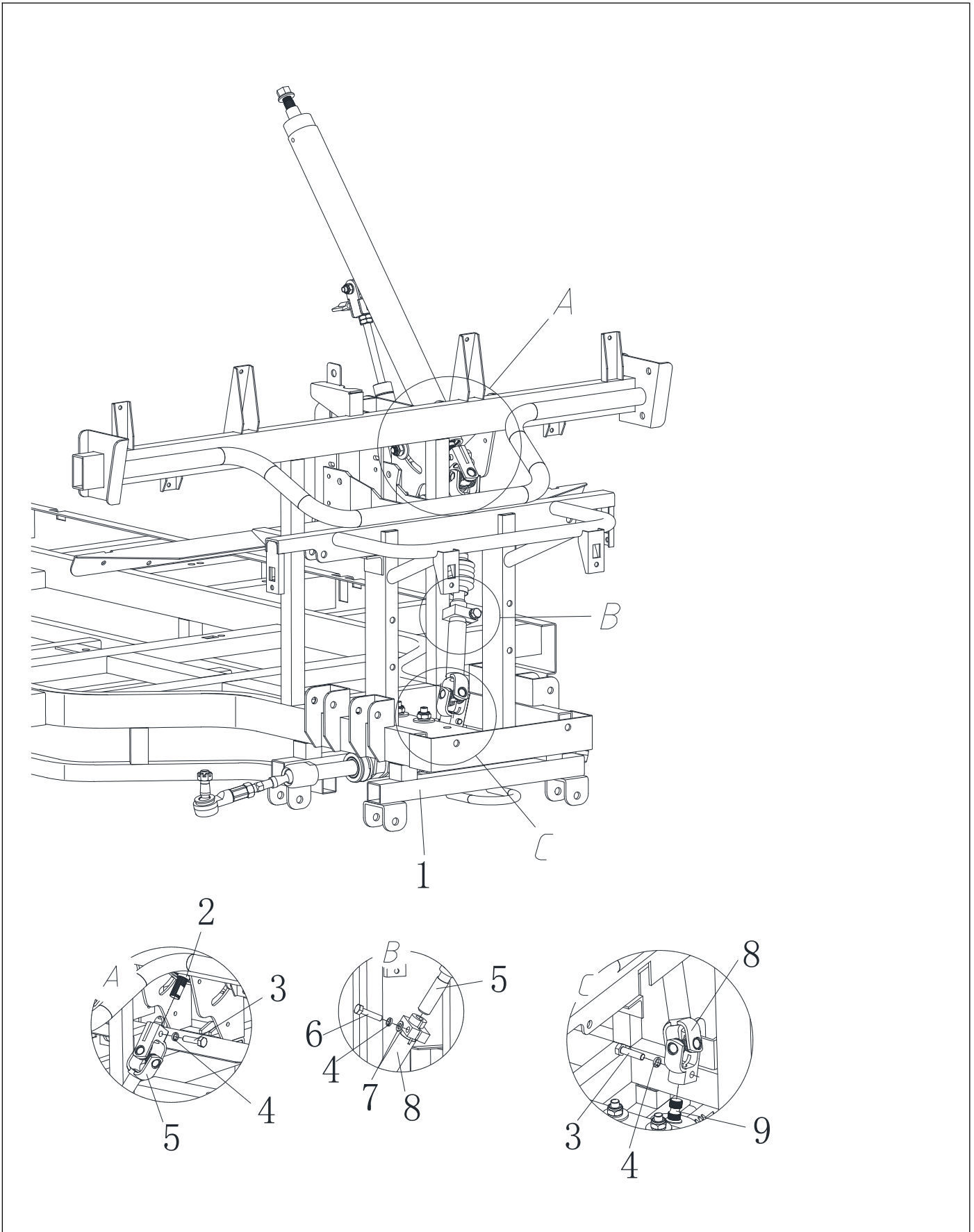
STEERING GEAR BOX INSTALLATION



STEERING GEAR BOX INSTALLATION PARTS LIST

ITEM	PART NO.	PART DESCRIPTION	QTY.
1	1.03.0012	HEX HEAD ANTI-LOOSE NUT, M10	4
2	1.01.0060	SNAP WASHER, M10	4
3	1.03.0007	EXTRA LARGE WASHER, M10	4
4	2.01.2224	CHASSIS FRAME	1
5	2.01.2212	STEERING GEAR BOX	1
6	1.03.0006	WASHER, M10	4
7	1.03.0026	HEXAGON SOCKET HEAE CAP SCREWS, M10×45	4

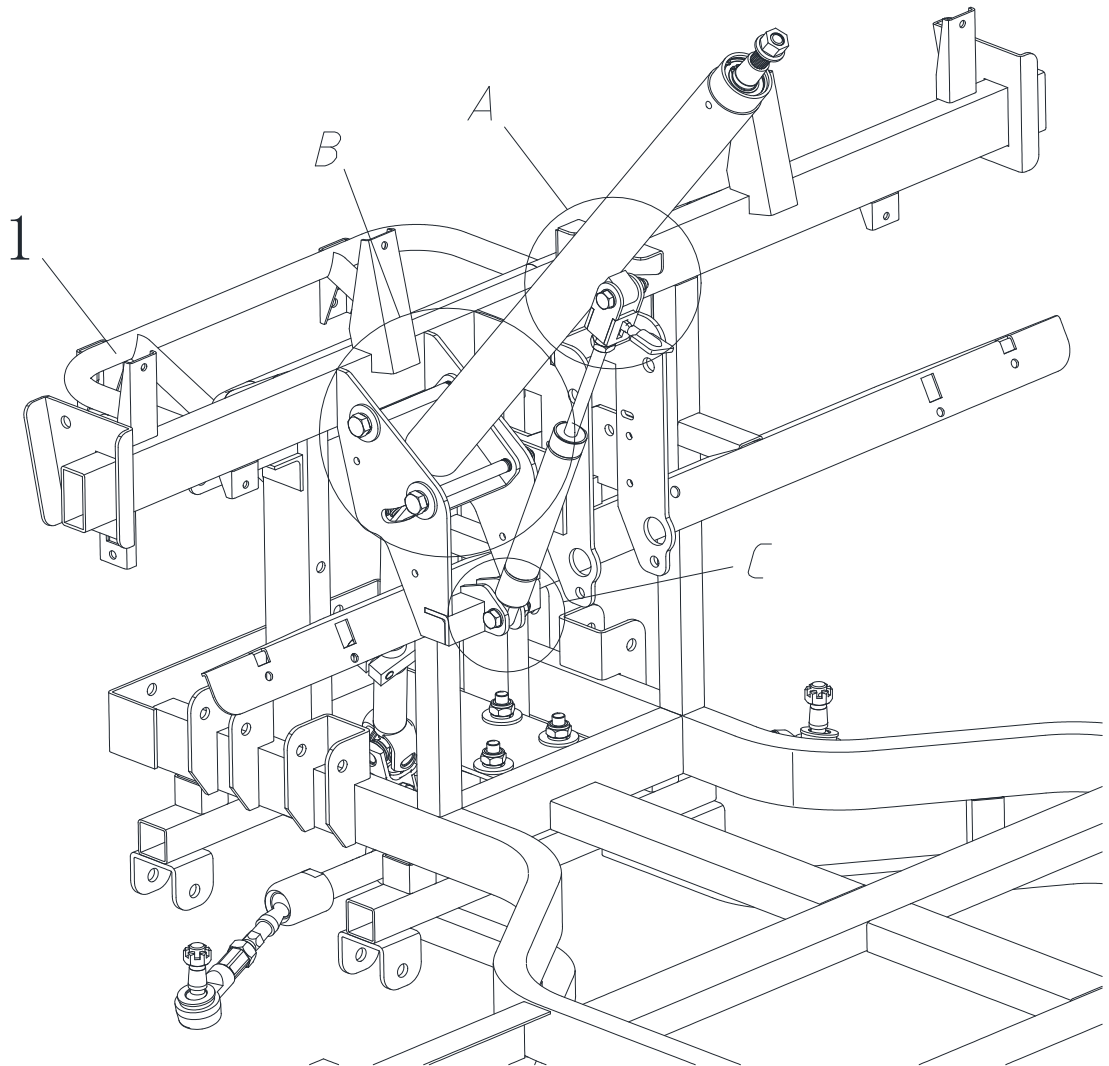
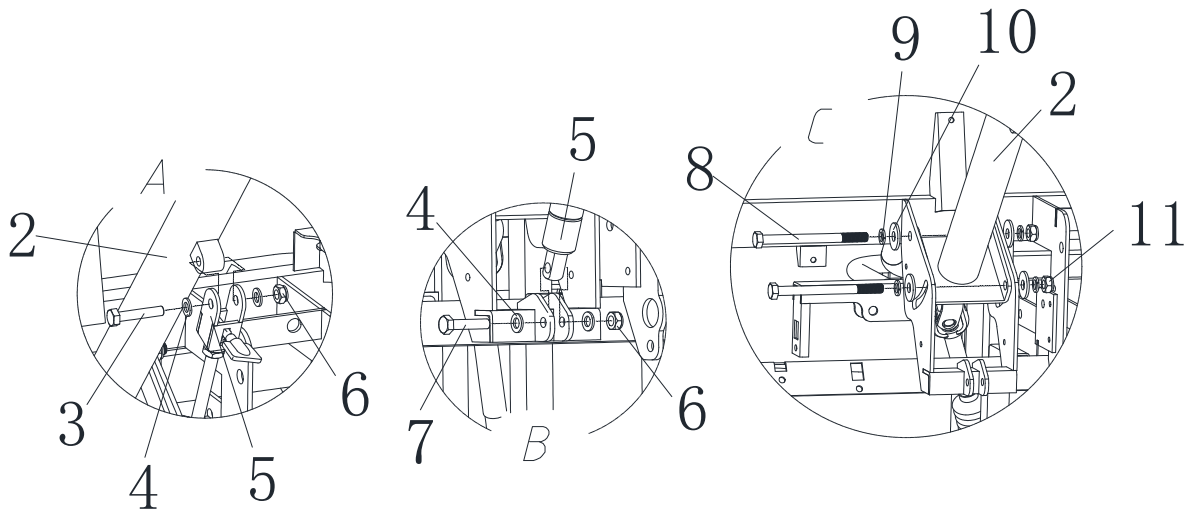
STEERING COLUMN INSTALLATION



STEERING COLUMN INSTALLATION PARTS LIST

ITEM	PART NO.	PART DESCRIPTION	QTY.
1	2.01.2224	CHASSIS FRAME	1
2	2.01.2044	STEERING COLUMN	1
3	1.03.0017	HEX HEAD BOLT, M8×30	2
4	1.01.0008	SNAP WASHER, M8	3
5	2.01.2213	JOINT COMPOUND STEERING	1
6	1.03.0094	HEX HEAD BOLT, M8×35	1
7	1.01.0007	WASHER, M8	1
8	2.01.2213	JOINT COMPOUND STEERING	1
9	2.01.2212	STEERING GEAR BOX	1

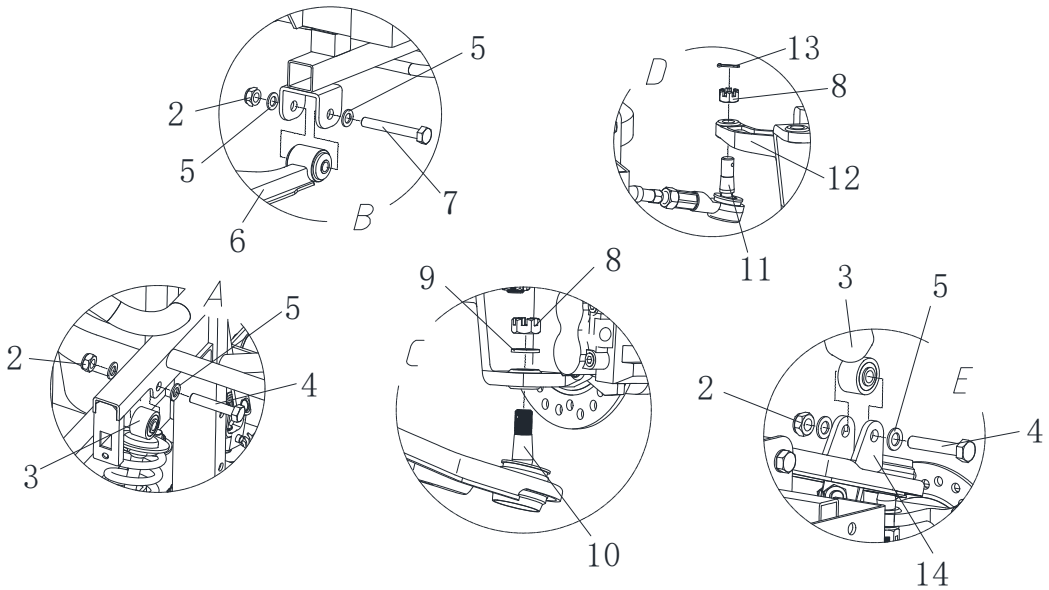
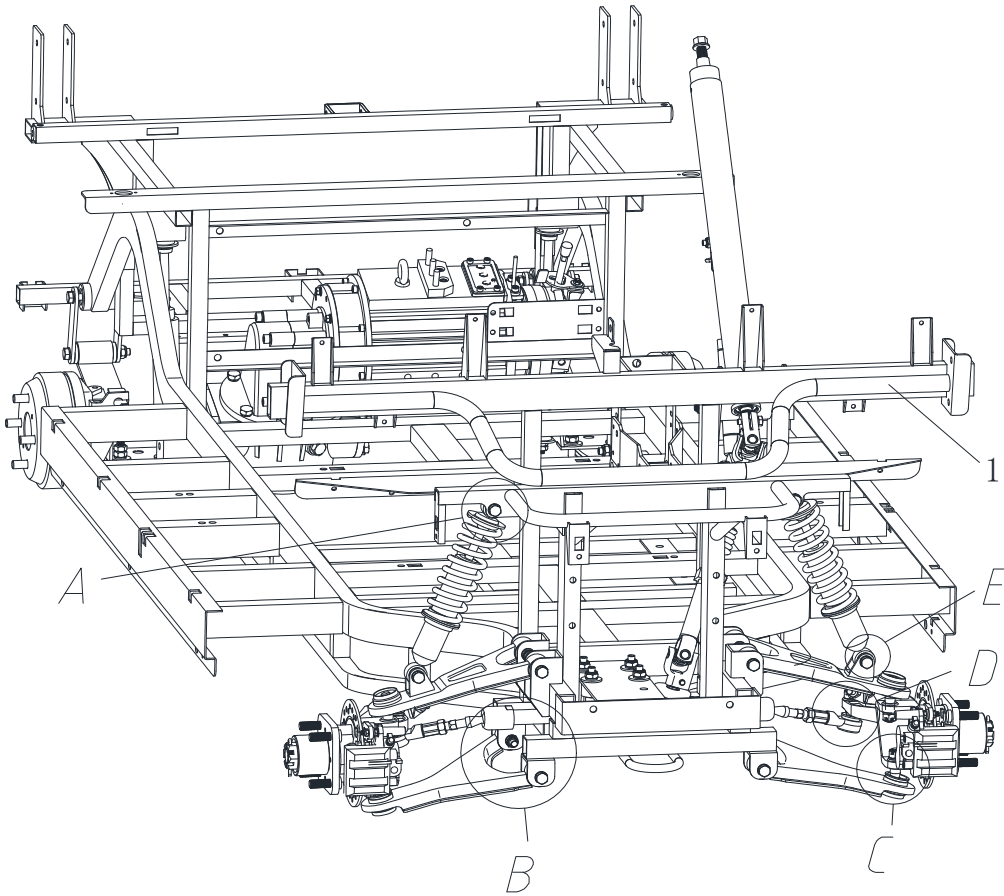
STEERING COLUMN INSTALLATION



STEERING COLUMN INSTALLATION PARTS LIST

ITEM	PART NO.	PART DESCRIPTION	QTY.
1	2.01.2224	CHASSIS FRAME	1
2	2.01.2044	STEERING COLUMN	1
3	1.03.0094	HEX HEAD BOLT, M8×40	1
4	1.01.0007	WASHER, M8	4
5	2.01.1946	VERTICAL UNLOCKABLE CONTROLLABLE AIR LEVER	1
6	1.01.0027	HEX HEAD ANTI-LOOSE NUT, M8	2
7	1.03.0094	HEX HEAD BOLT, M8×35	1
8	1.03.0004	HEX HEAD BOLT, M10×120	2
9	1.01.0060	SNAP WASHER, M10	4
10	1.03.0007	EXTRA LARGE WASHER, M10	4
11	1.03.0011	HEX HEAD ANTI-LOOSE NUT, M10	2

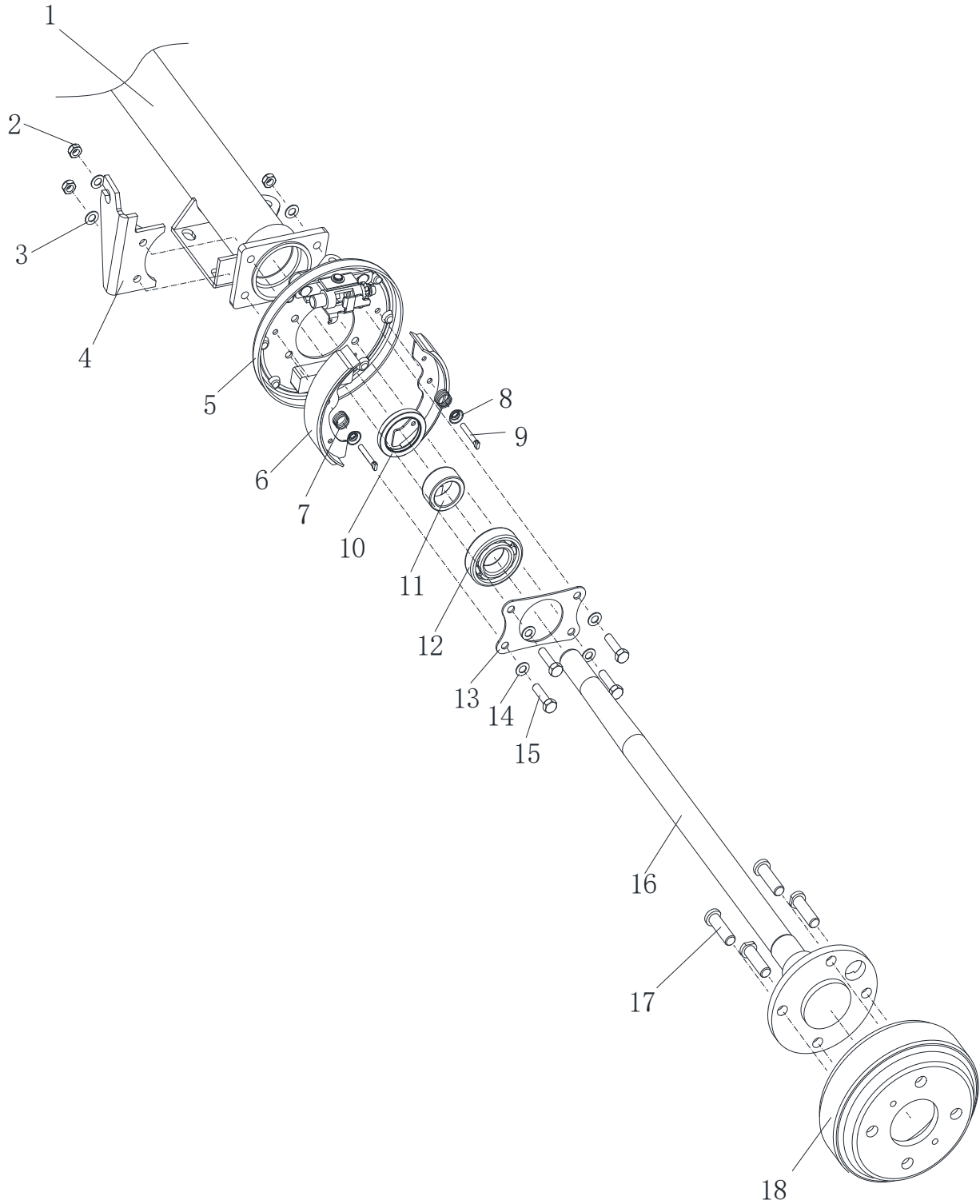
FRONT SUSPENSION ASSEMBLY



FRONT SUSPENSION ASSEMBLY PARTS LIST

ITEM	PART NO.	PART DESCRIPTION	QTY.
1	2.01.2224	CHASSIS FRAME	1
2	1.03.0011	HEX HEAD ANTI-LOOSE NUT, M10	10
3	2.01.0087	FRONT SHOCK ABSORBER	2
4	1.03.0054	HEX HEAD BOLT, M10×50	2
5	1.01.0046	WASHER, M10	20
6	2.01.1790	NEW STAMPING A-ARM, LOWER, PASSENGER SIDE	1
7	1.03.0032	HEX HEAD BOLT, M10×70	1
8	1.08.0061	HEX SLOTTED NUT , M12	4
9	1.03.0007	EXTRA LARGE WASHER, M10	4
10	2.01.1788	NEW STAMPING A-ARM, LOWER, DRIVER SIDE	1
11	2.01.2212	STEERING GEAR BOX	1
12	2.01.0281	SPINDLE	2
13	1.08.0010	RIVET, 5×18	2
14	2.01.1787	NEW STAMPING A-ARM, UPPER, DRIVER SIDE	1
	2.01.1788	NEW STAMPING A-ARM, UPPER, PASSENGER SIDE	1

REAR END ASSEMBLY



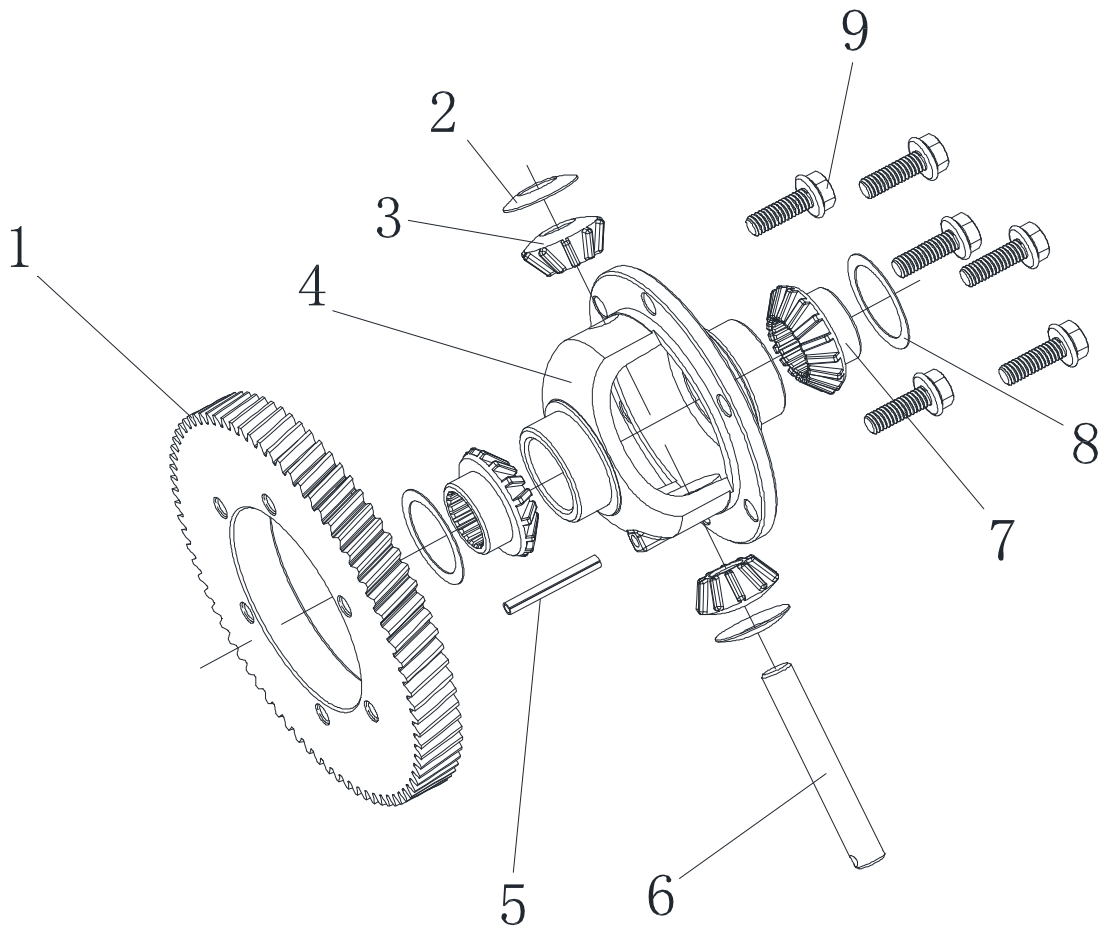
REAR END ASSEMBLY PARTS LIST

ITEM	PART NO.	PART DESCRIPTION	QTY.
1		SHAFT SLEEVE	1
2	1.01.0027	HEX HEAD ANTI-LOOSE NUT, M8	8
3	1.01.0007	WASHER, M8	8
4		BRAKE PIPE PEG PLATE, DRIVER SIDE	1
5		BREAK ASSEMBLY MOUNTING BRACKET	2
6		BRAKE SHOES	2
7		JUMPING SPRING	2
8		PRESSURE SPRING	2
9		COTTER	2
10		OIL SEAL FOR HALF SHAFT	2
11		BEARING BUSH	2
12		BERAING	2
13		BREAK TABLETTING	2
14	1.01.0007	WASHER, M8	8
15		HEX HEAD BOLT, M8×40	8
16		HALF SHAFT (SHORT)	1
		HALF SHAFT (LONG)	1

REAR END ASSEMBLY PARTS LIST

ITEM	PART NO.	PART DESCRIPTION	QTY.
17		WHEEL STUD	8
18		REAR BRAKE DRUM	2

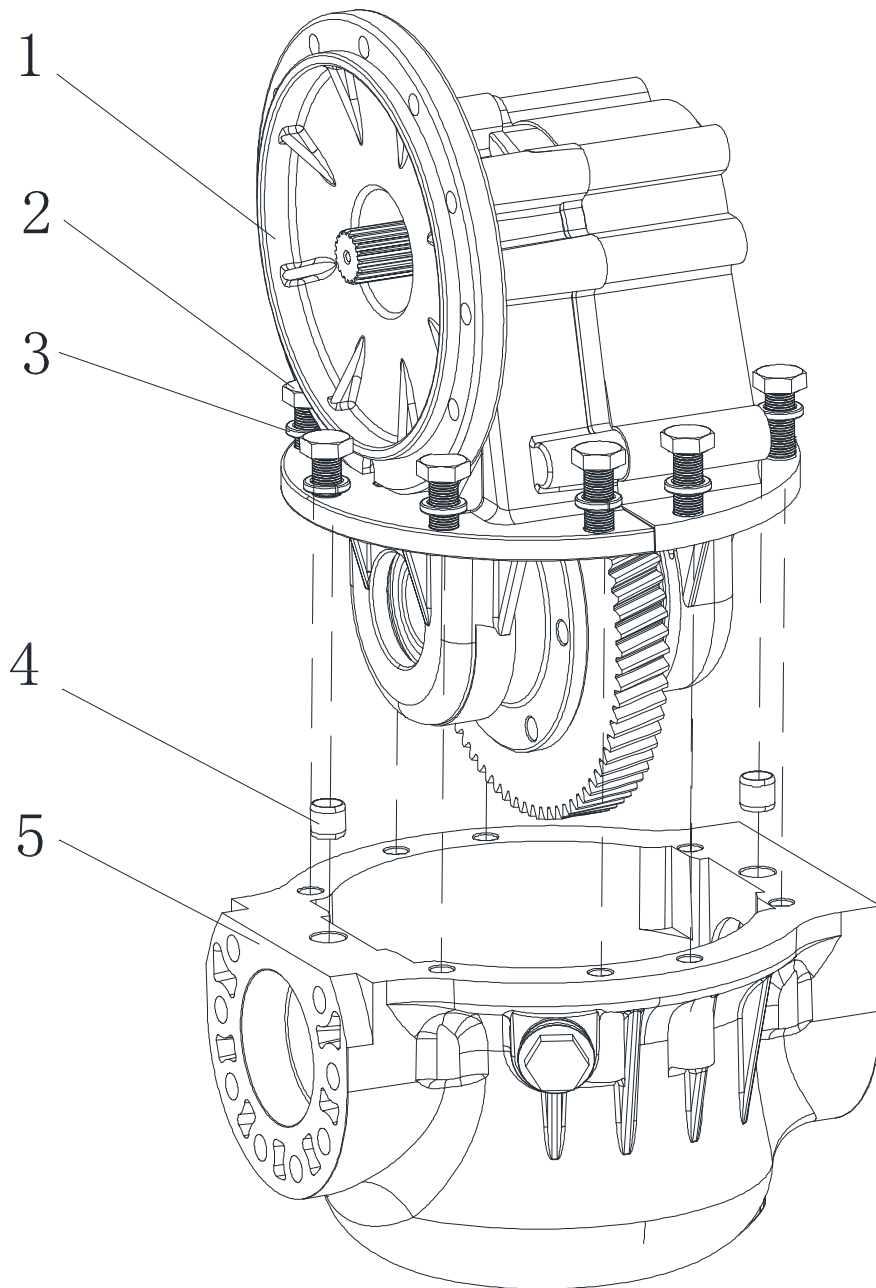
REAR END ASSEMBLY



REAR END ASSEMBLY PARTS LIST

ITEM	PART NO.	PART DESCRIPTION	QTY.
1	/	MAIN DIFFERENTIAL ASSEMBLY GEAR	1
2	/	GASKET FOR GEAR	1
3	/	ANGEL GEAR	1
4	/	DIFFERENTIAL CASING	2
5	/	PIN	1
6	/	DIFFERENTIAL GEAR SHAFT	1
7	/	ANGEL GEAR	2
8	/	GASKET FOR GEAR	2
9	/	HEX HEAD BOLT, M8×25	6

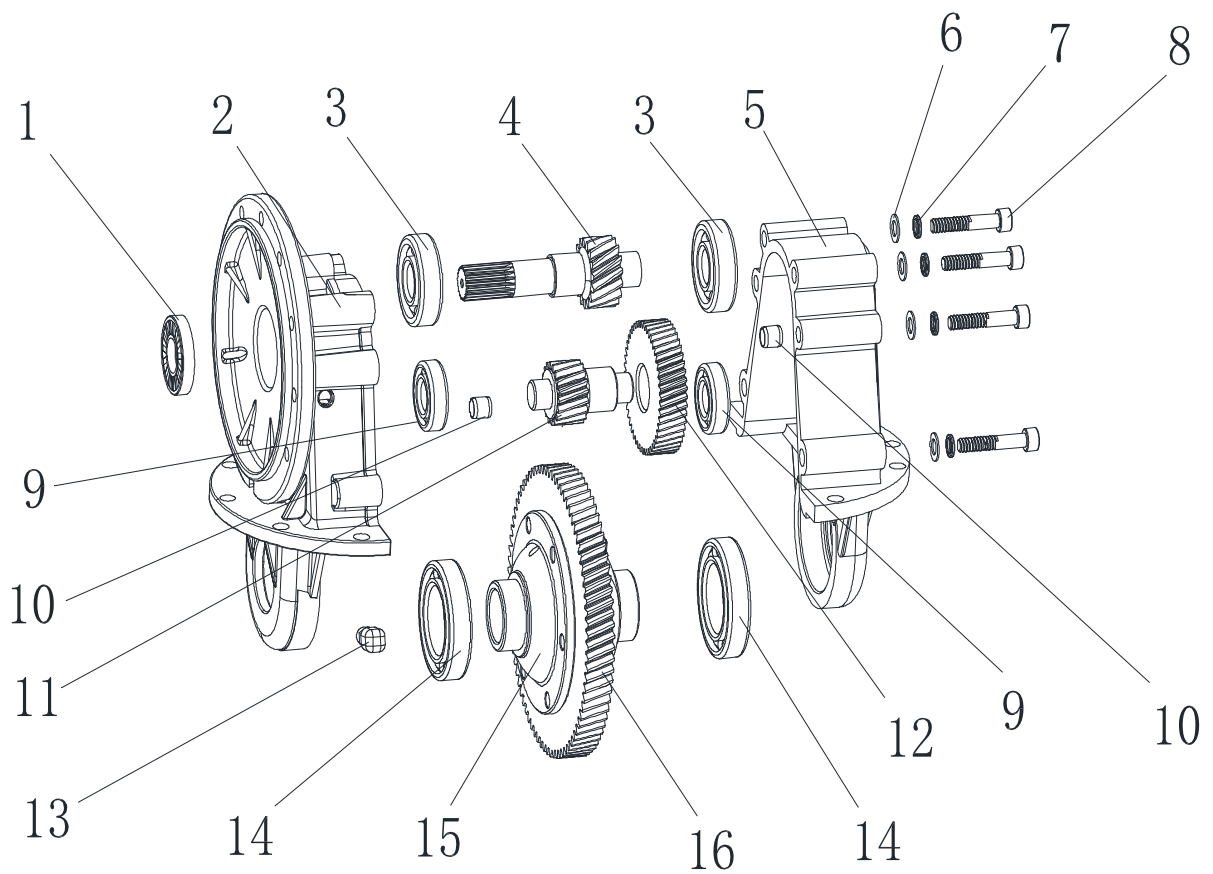
REAR END ASSEMBLY



REAR END ASSEMBLY PARTS LIST

ITEM	PART NO.	PART DESCRIPTION	QTY.
1	/	DIFFERENTIAL CASING	1
2	/	HEX HEAD BOLT, M10×35	12
3	/	SNAP WASHER, M10	12
4	/	PIN	2
5	/	REAR AXLE ALUMINIUM MIDDLE	1

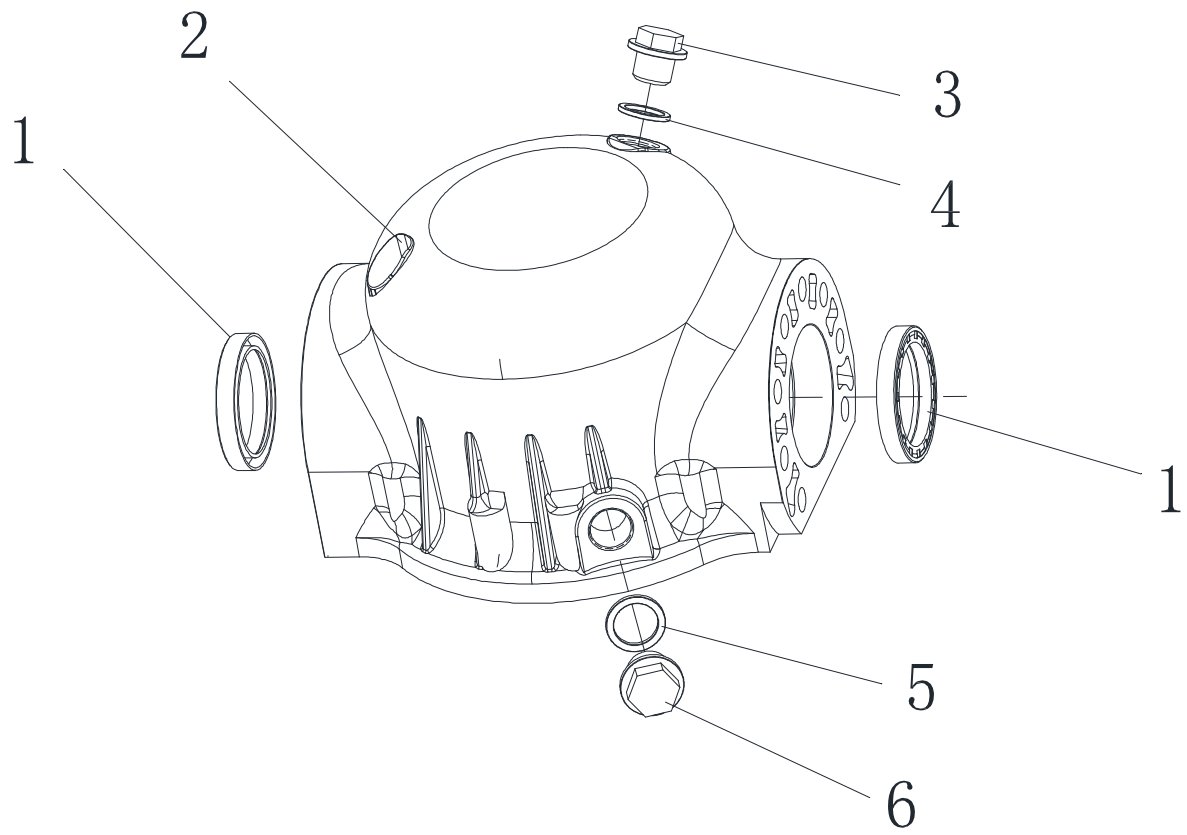
REAR END ASSEMBLY



REAR END ASSEMBLY PARTS LIST

ITEM	PART NO.	PART DESCRIPTION	QTY.
1	2.03.0065	OIL SEAL INPUT SHAFT REAR END	1
2	/	REAR AXLE TRANSMISSION ASSEMBLY CASING, LEFT	1
3	/	BEARING	1
4	/	MASTER GEAR	1
5	/	REAR AXLE TRANSMISSION ASSEMBLY CASING, RIGHT	1
6	/	WASHER, M10	4
7	/	SNAP WASHER, M10	4
8	/	INSIDE HEX HEAD BOLT	4
9	/	BEARING	1
10	/	PIN	1
11	/	DRIVER GEAR	1
12	/	GEAR	1
13	/	OIL INJECTION GAP	1
14	/	BEARING	1
15	/	OIL SEAL	1
16	/	DRIVING GEAR	1

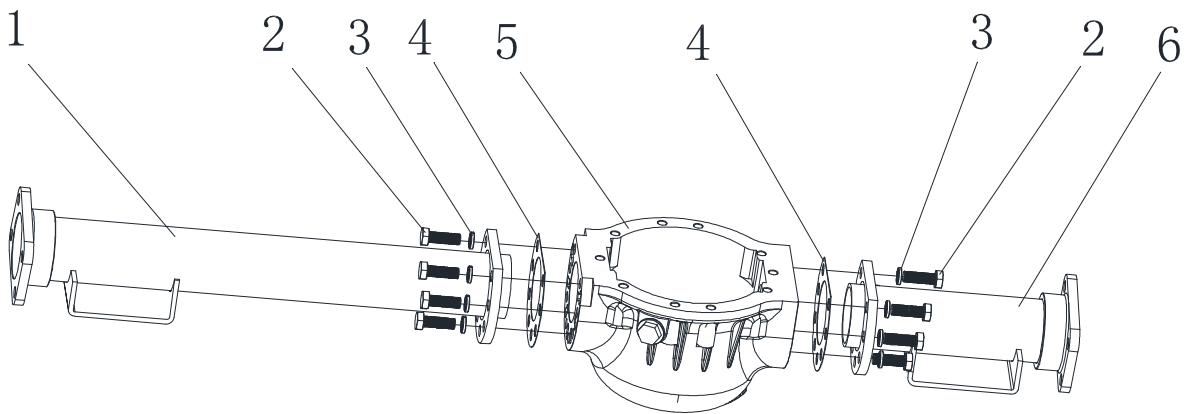
REAR END ASSEMBLY



REAR END ASSEMBLY PARTS LIST

ITEM	PART NO.	PART DESCRIPTION	QTY.
1	2.03 0067	OIL SEAL FOR HALF SHAFT	2
2	/	REAR AXLE ALUMINIUM MIDDLE	1
3	/	OIL FILLER PLUG	1
4	/	GASKET FOR OIL FILLER PLUG	1
5	/	GASKET FOR OIL OUTLET PLUG	1
6	/	OIL OUTLET PLUG	1

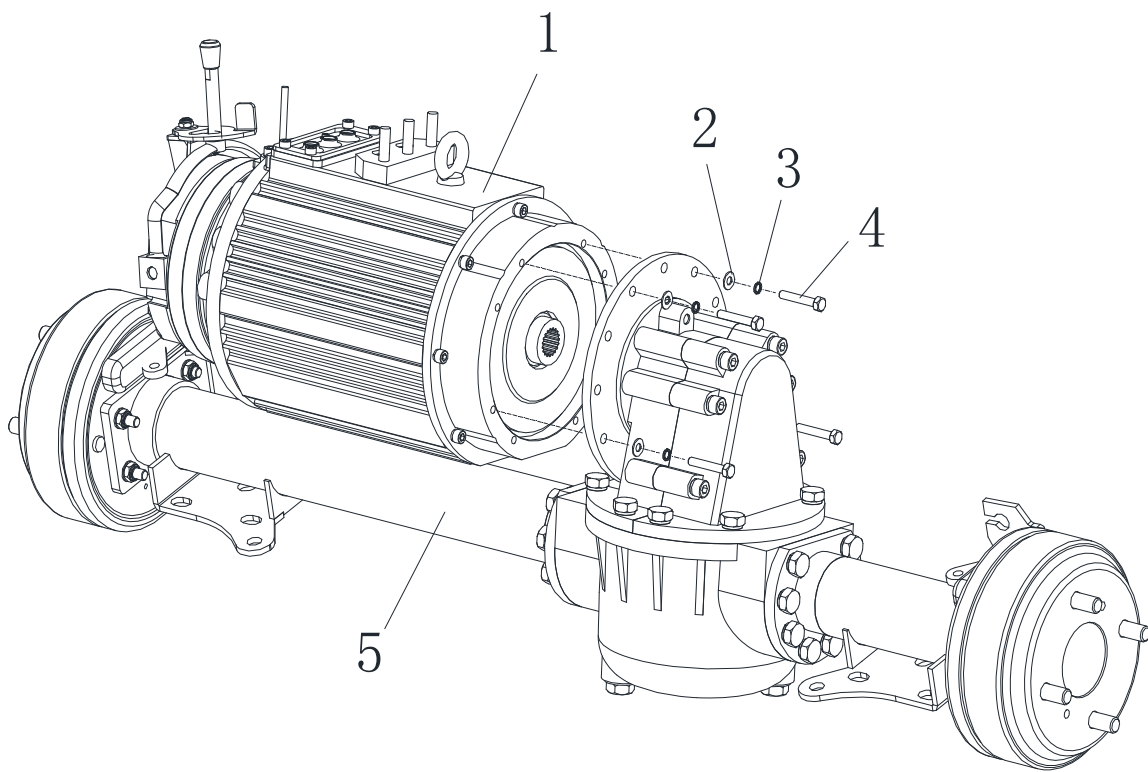
REAR END ASSEMBLY



REAR END ASSEMBLY PARTS LIST

ITEM	PART NO.	PART DESCRIPTION	QTY.
1	/	LONG SHAFT SLEEVE	1
2	/	HEX HEAD BOLT, M10×30	16
3	/	SNAP WASHER	16
4	/	BUTTON SEAL	1
5	/	REAR AXLE ALUMINIUM MIDDLE	1
6	/	SHORT SHAFT SLEEVE	1

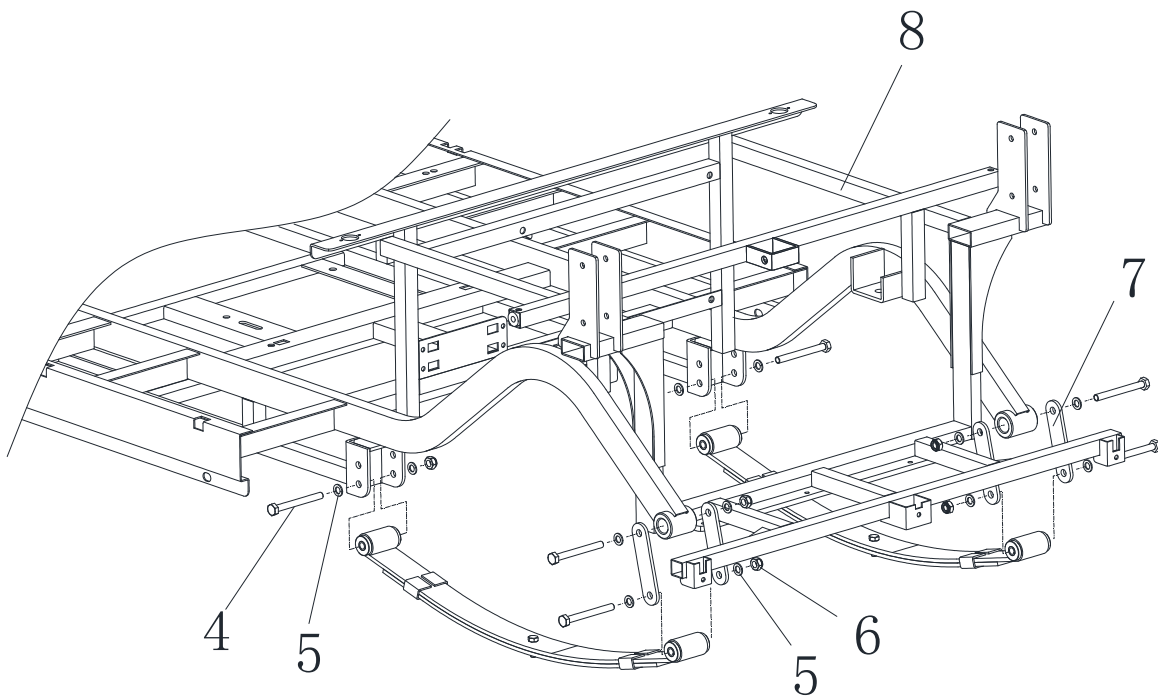
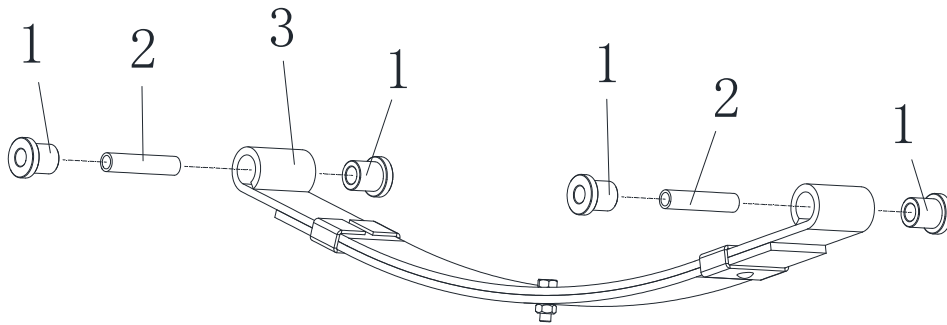
REAR END ASSEMBLY



REAR END ASSEMBLY PARTS LIST

ITEM	PART NO.	PART DESCRIPTION	QTY.
1	2.04.0917	AC MOTOR	1
2	1.03.0020	WASHER, M6	16
3	1.03.0021	SNAP WASHER, M6	16
4	1.03.0019	HEX HEAD BOLT, M6×30	1
5	2.01.0019	REAR AXLE ASSEMBLY	1

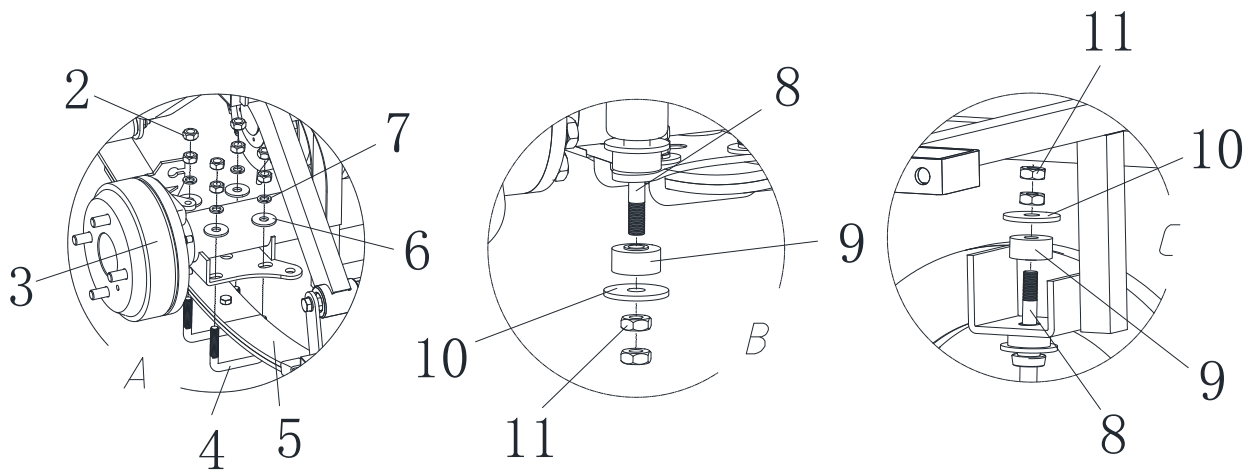
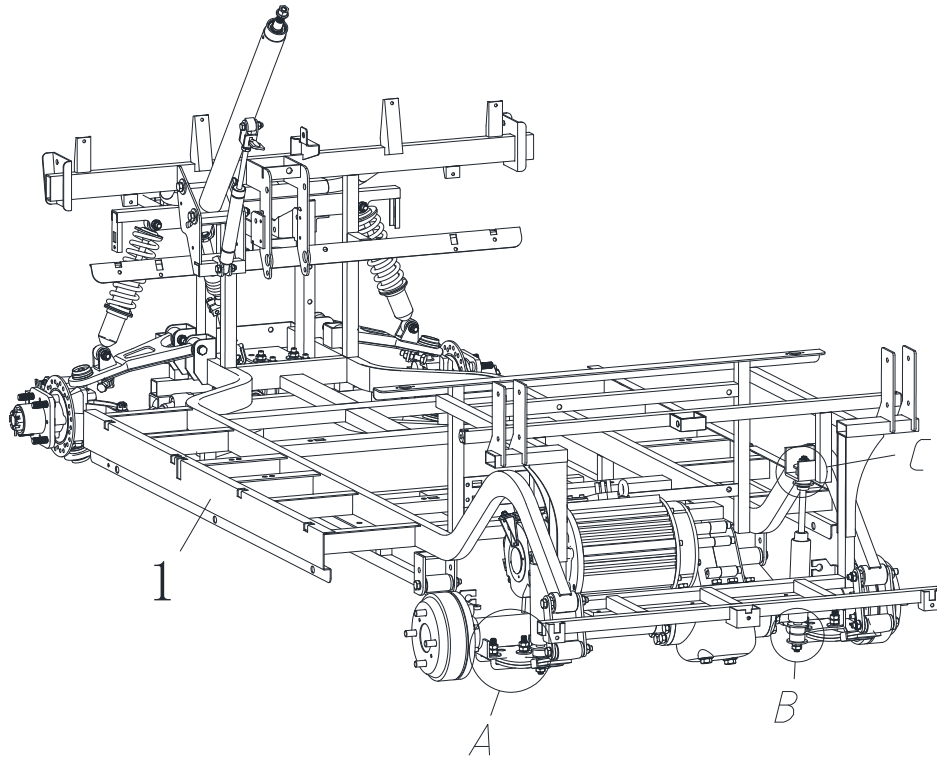
REAR SUSPENSION ASSEMBLY



REAR SUSPENSION ASSEMBLY PARTS LIST

ITEM	PART NO.	PART DESCRIPTION	QTY.
1	2.03.0005	LEAF SPRING BUSHING	8
2	2.03.0006	LEAF SPRING BUSHING SLEEVE	4
3	2.01.0070	LEAF REAR SPRING	2
4	1.03.0055	HEX HEAD BOLT, M10×90	6
5	1.01.0046	WASHER, M10	12
6	1.03.0012	HEX HEAD ANTI-LOOSE NUT, M10	6
7	2.01.0024	SHACKLE REAR LEAF SPRING	4
8	2.01.2224	CHASSIS FRAME	1

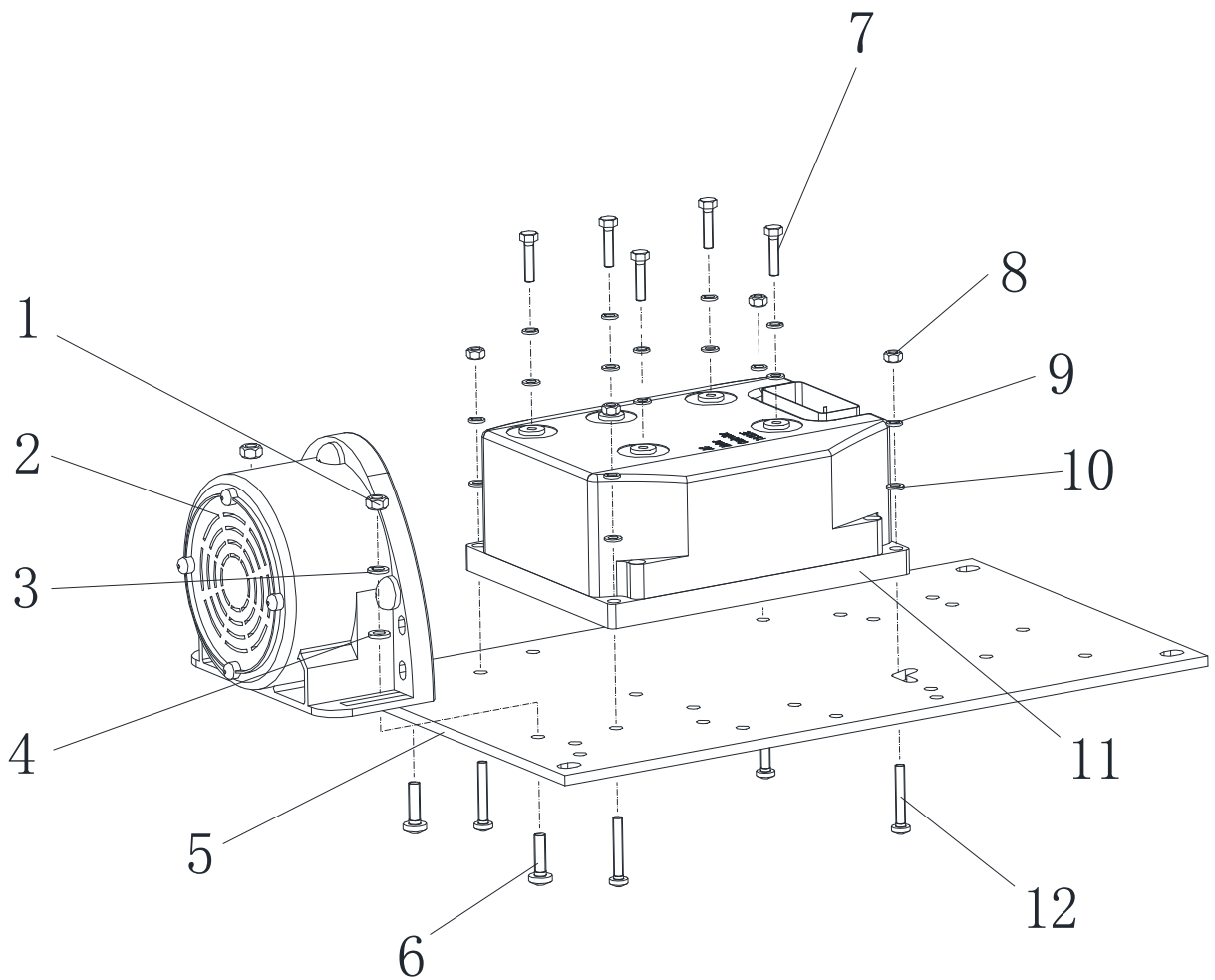
REAR SUSPENSION ASSEMBLY



REAR SUSPENSION ASSEMBLY PARTS LIST

ITEM	PART NO.	PART DESCRIPTION	QTY.
1	2.01.2224	CHASSIS FRAME	1
2	1.03.0011	HEX HEAD NUT, M10	16
3	2.01.2357	REAR AXLE ASSEMBLY	1
4	1.08.0007	U-BOLT	4
5	2.01.0070	LEAF REAR SPRING	2
6	1.03.0007	EXTRA LARGE WASHES, M10	8
7	1.01.0060	SNAP WASHER, M10	8
8	2.01.0025	REAR SHOCK ABSORBER	2
9	/	RUBBER RING	8
10	/	EXTRA LARGE WASHER	8
11	/	HEX HEAD NUT	8

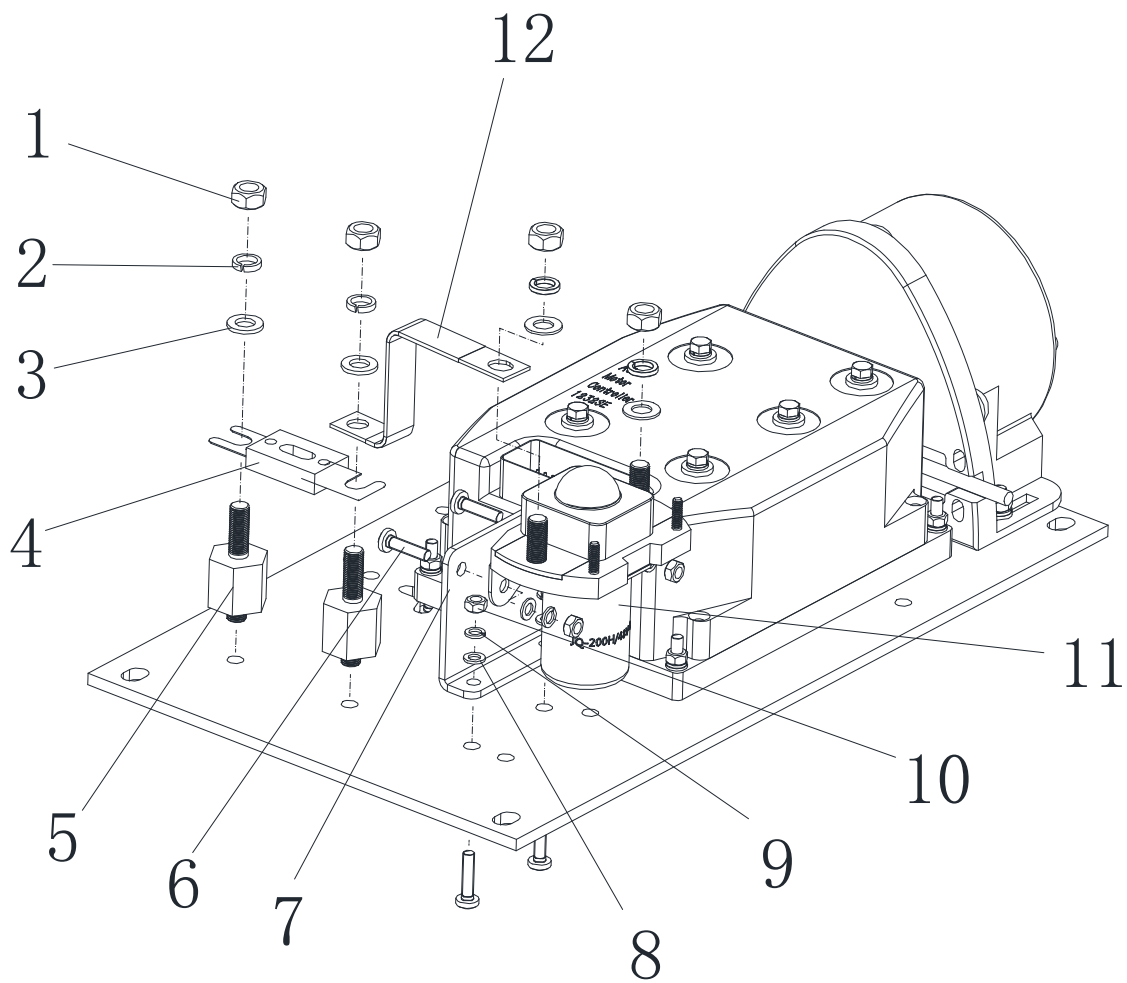
CONTROLLER PANEL INSTALLATION



CONTROLLER PANEL INSTALLATION PARTS LIST

ITEM	PART NO.	PART DESCRIPTION	QTY.
1	1.01.0006	HEX HEAD NUT, M6	2
2	2.04.1155	PEDESTRIAN ALERT SOUND GENERATOR	1
3	1.03.0021	SNAP WASHER, M6	2
4	1.01.0041	WASHER, M6	2
5	2.01.0208	MOUNTING BOARD FOR CONTROLLER	1
6		PAN HEAD SCREW, M6×20	2
7	1.01.0071	HEX HEAD BOLT, M5×20	5
8	1.01.0005	HEX HEAD NUT, M5	4
9	1.01.0004	SNAP WASHER, M5	9
10	1.01.0040	WASHER, M5	9
11	2.04.1164	AC CONTROLLER	1
12	1.01.0078	PAN HEAD SCREW, M5×30	4

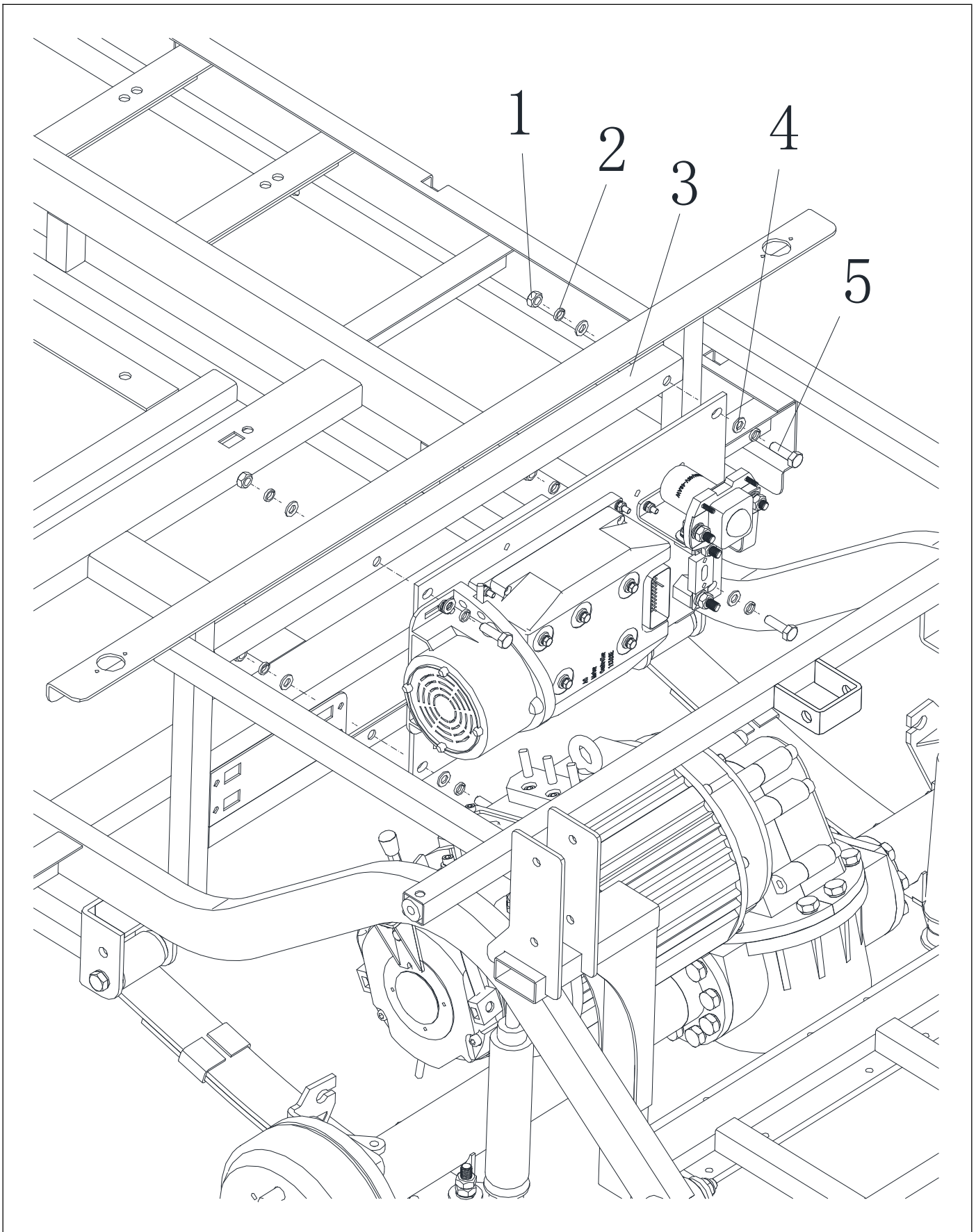
CONTROLLER PANEL INSTALLATION



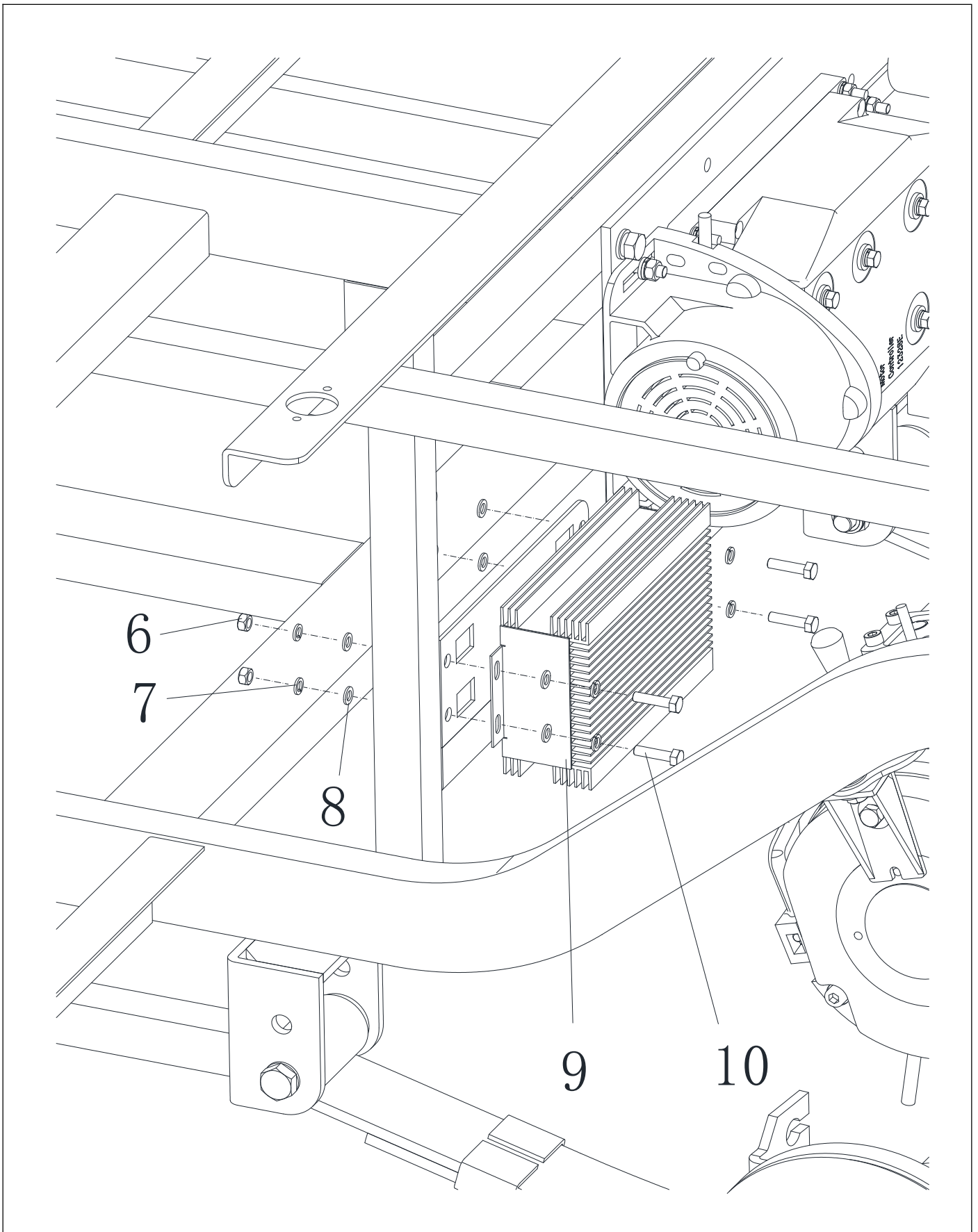
CONTROLLER PANEL INSTALLATION PARTS LIST

ITEM	PART NO.	PART DESCRIPTION	QTY.
1	1.01.0009	HEX HEAD NUT, M8	4
2	1.01.0008	SNAP WASHER, M8	4
3	1.01.0007	WASHER, M8	4
4	2.04.0052	MAIN FUSE, 400A	1
5	2.04.0011	CABLE POLE	2
6	1.01.0076	PAN HEAD SCREW, M5×20	4
7	2.01.0035	BRAKCKET FOR MIAN CONECTOR	1
8	1.01.0040	WASHER, M5	4
9	1.01.0004	SNAP WASHER, M5	4
10	1.01.0005	HEX HEAD NUT, M5	4
11	2.01.0035	MIAN CONECTOR 48V SOLENOID	1
12	2.01.1773	FLAT COPPER SHEET	1

CONTROLLER PANEL INSTALLATION



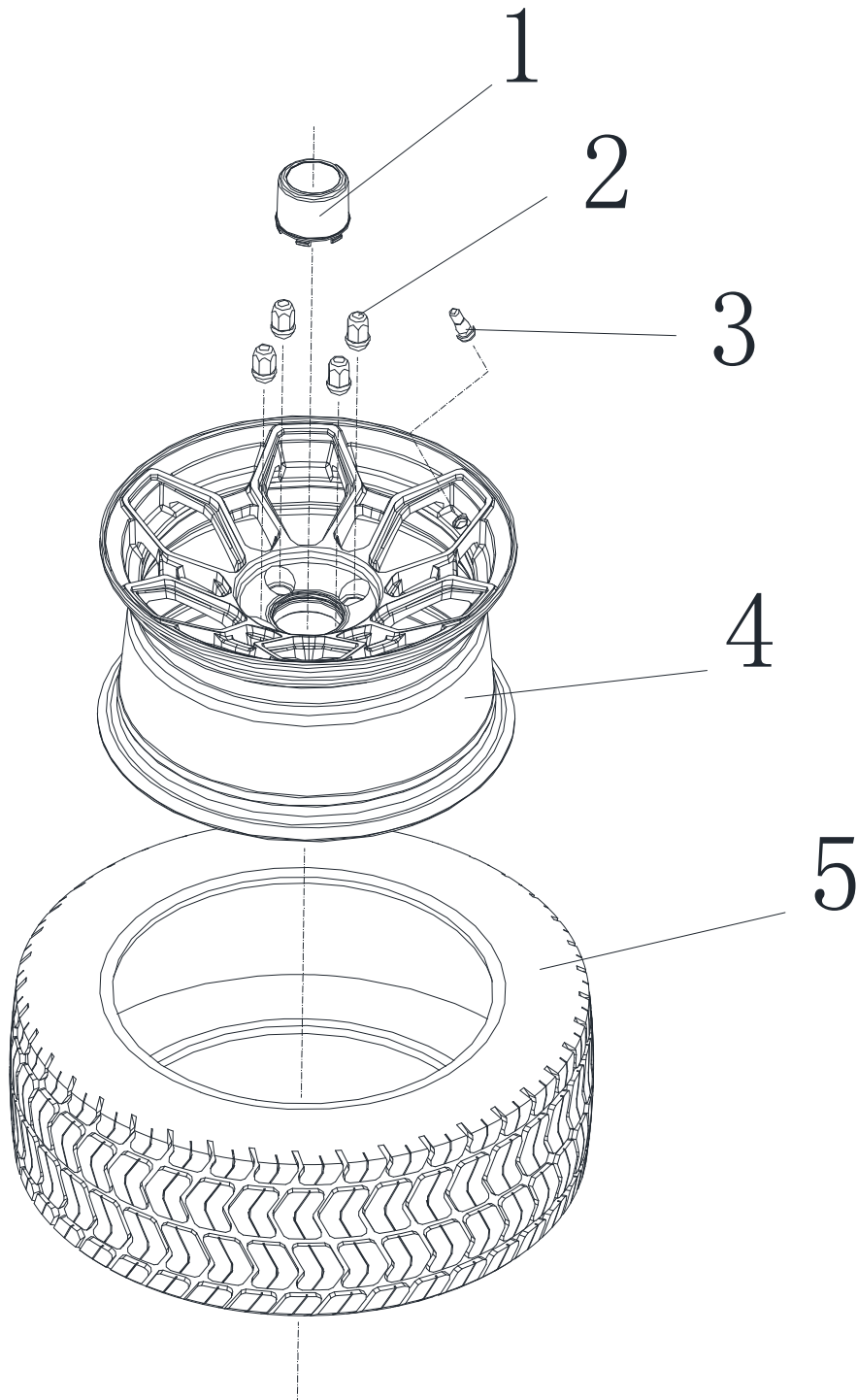
CONTROLLER PANEL INSTALLATION



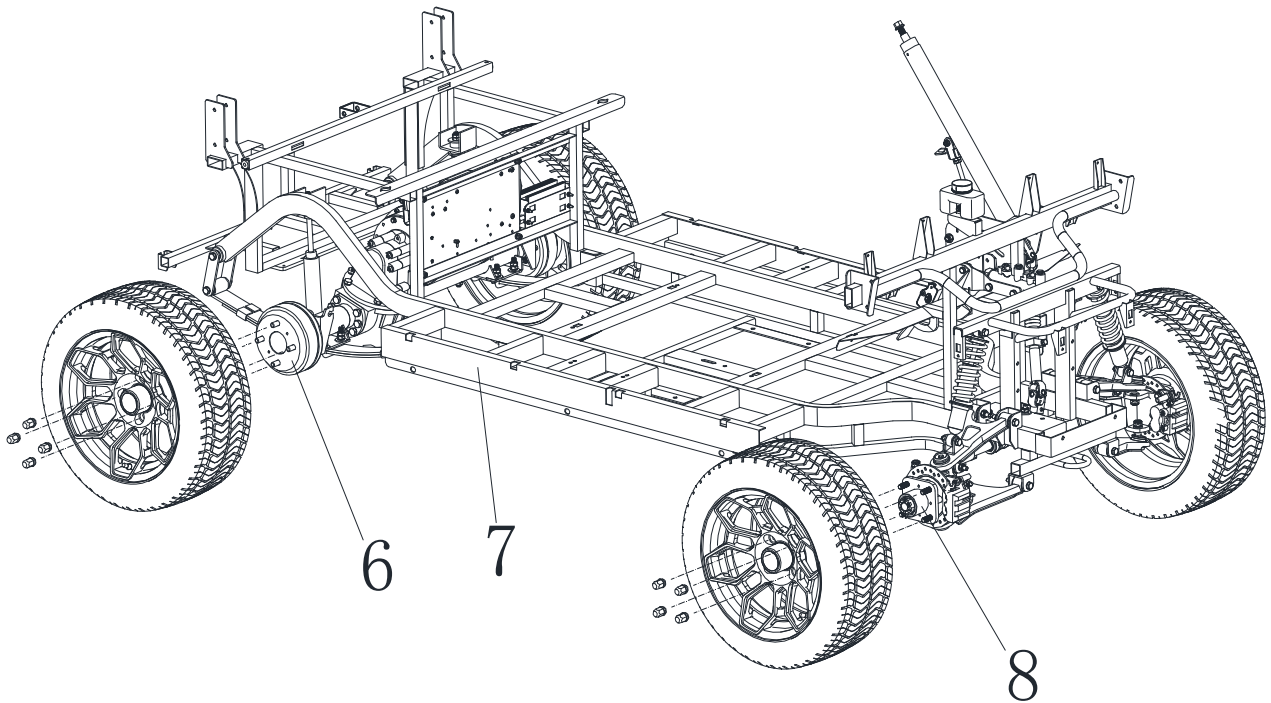
CONTROLLER PANEL INSTALLATION PARTS LIST

ITEM	PART NO.	PART DESCRIPTION	QTY.
1	1.01.0009	HEX HEAD NUT, M8	4
2	1.01.0008	SNAP WASHER, M8	4
3	2.01.2224	CHASSIS FRAME	1
4	1.01.0007	WASHER, M8	4
5	1.03.0007	HEX HEAD BOLT, M8×25	4
6	1.01.0005	HEX HEAD NUT, M5	4
7	1.01.0004	SNAP WASHER, M5	4
8	1.01.0040	WASHER, M5	4
9	2.04.0024	DC CONVERTOR	1
10	1.01.0071	HEX HEAD BOLT, M5×20	4

TYRE AND RIM ASSEMBLY



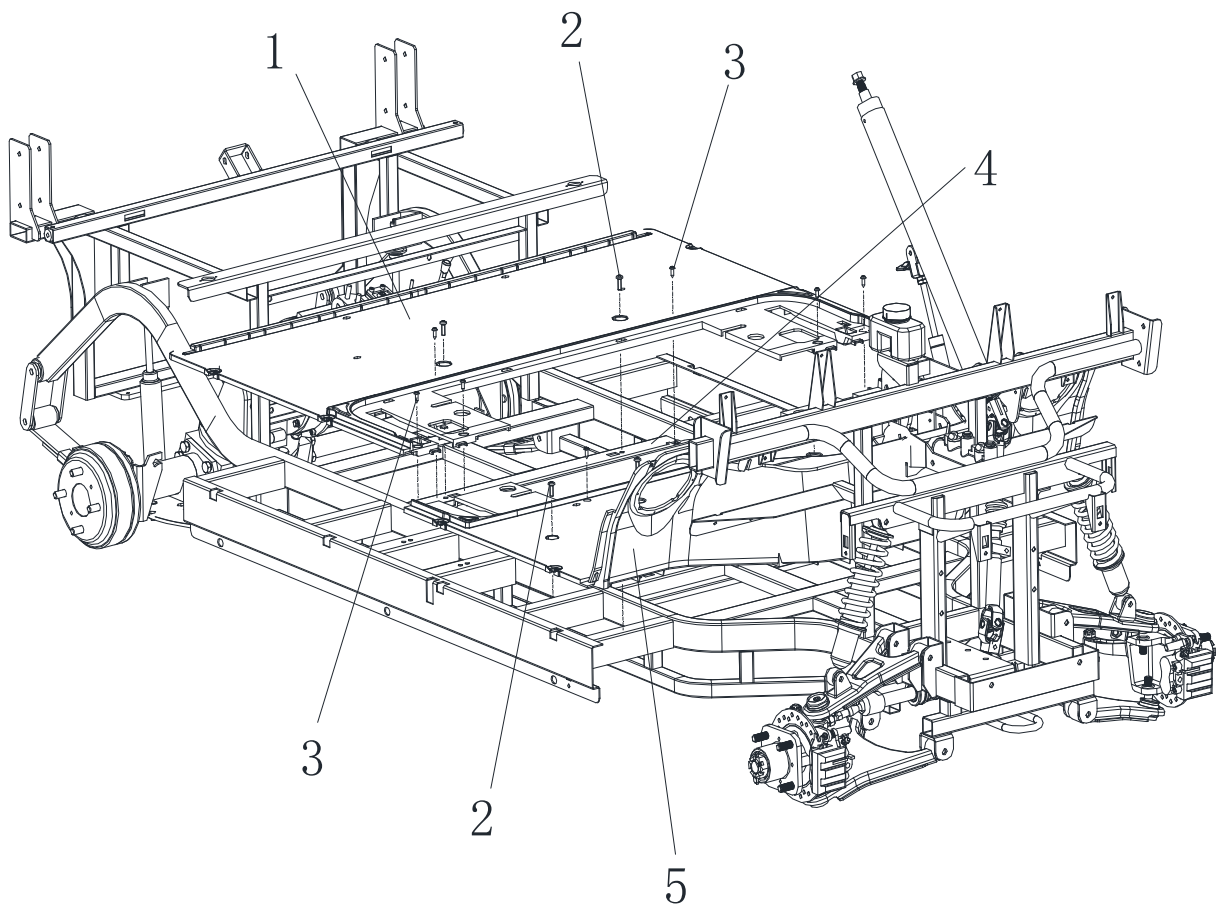
TYRE AND RIM ASSEMBLY



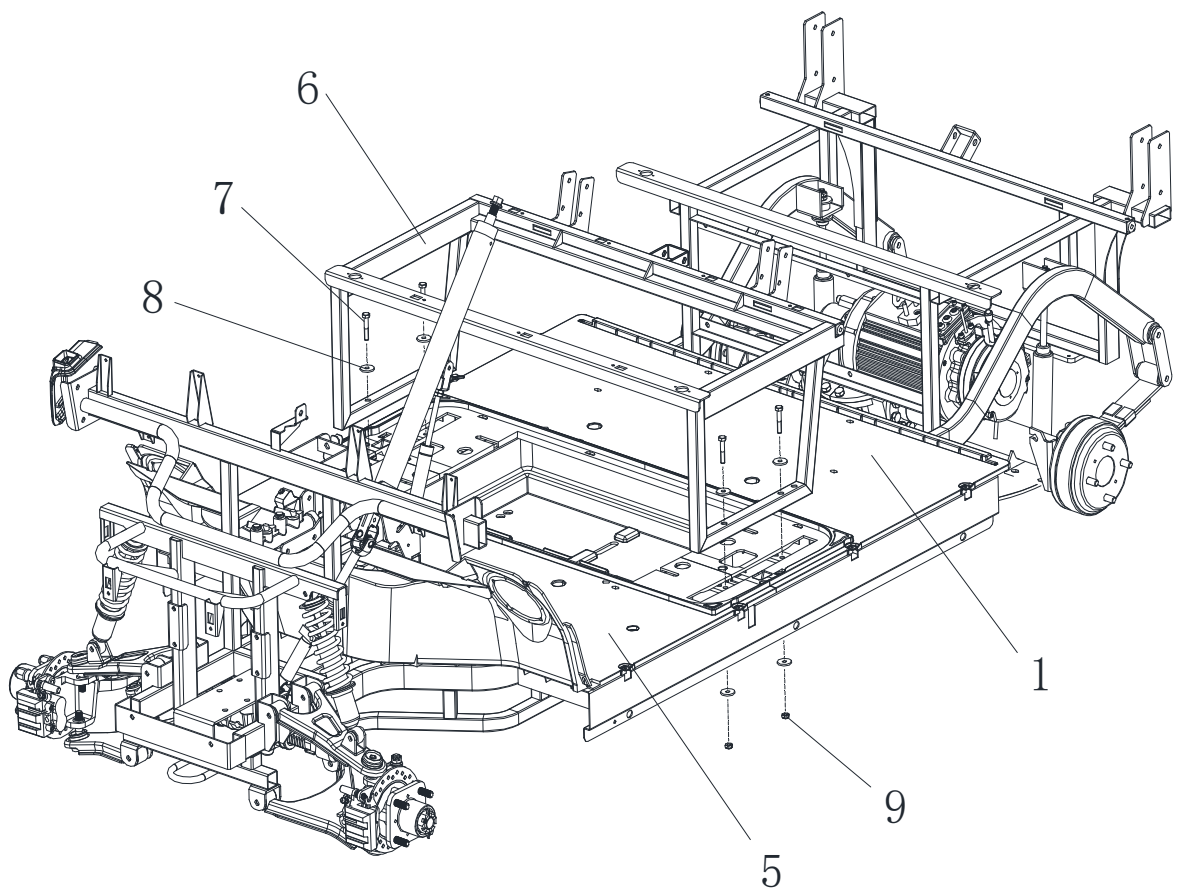
TYRE AND RIM ASSEMBLY PARTS LIST

ITEM	PART NO.	PART DESCRIPTION	QTY.
1	2.07.0007	CENTER DUST CAP	4
2	1.08.0017	NUTS FOR WHEELS M12x1.25	16
3	2.03.0056	VALVE STEM	4
4	2.01.2246	WHEEL RIM	4
5	2.03.1068	RADIAL TIRE, 225/50R14	4
6	2.01.2357	REAR END ASSEMBLY	1
7	2.01.2224	CHASSIS FRAME	1
8	2.01.0281	SPINDLE	1

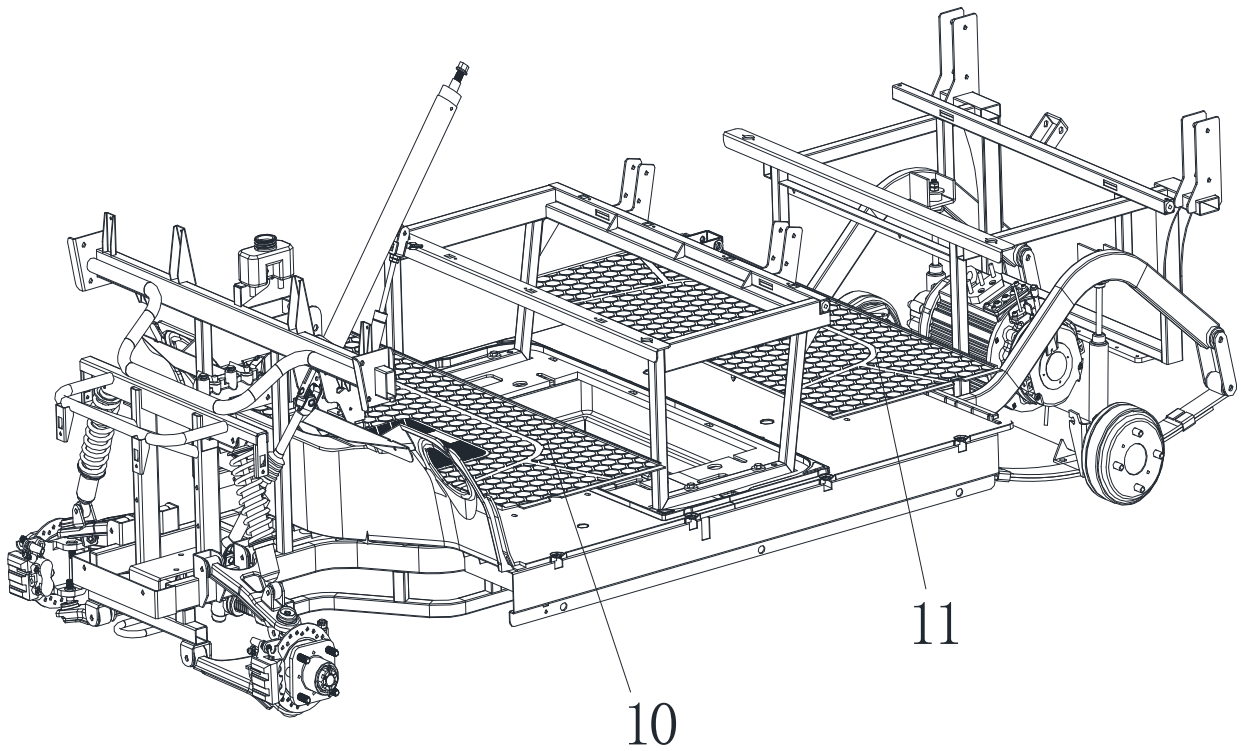
BASE BOARD INSTALLATION



BASE BOARD INSTALLATION



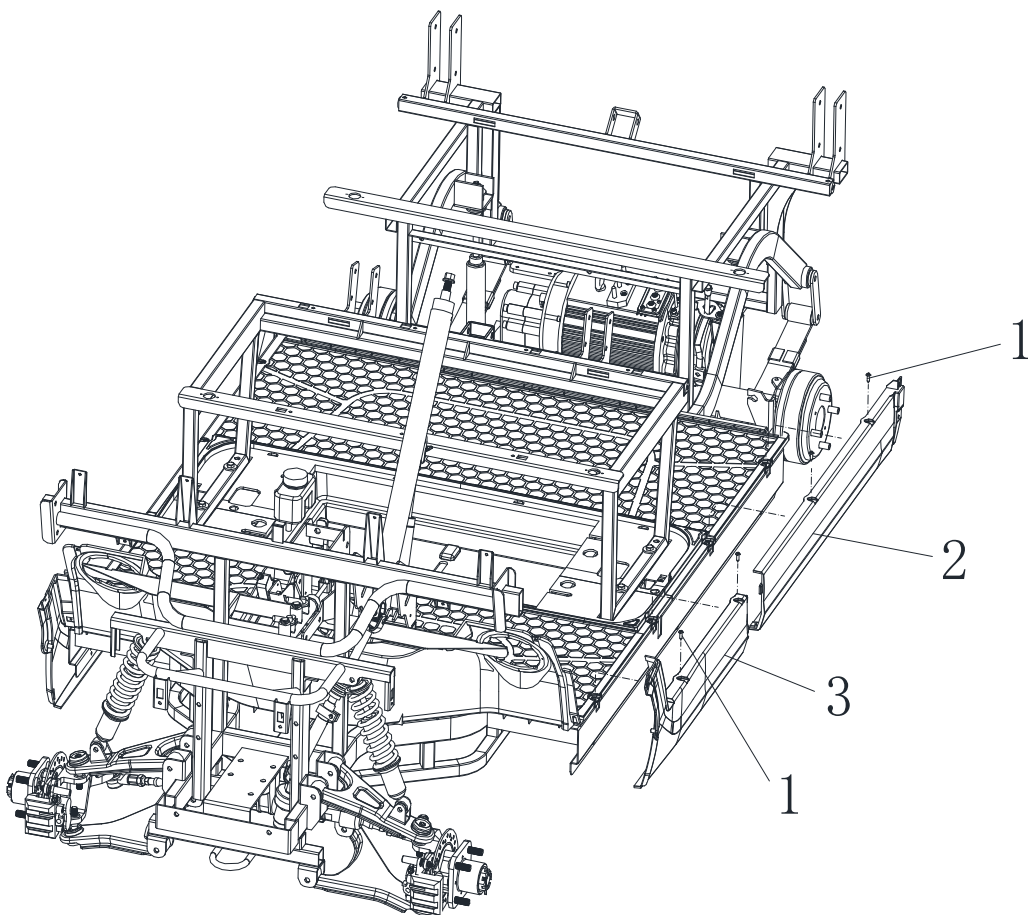
BASE BOARD INTALLATION



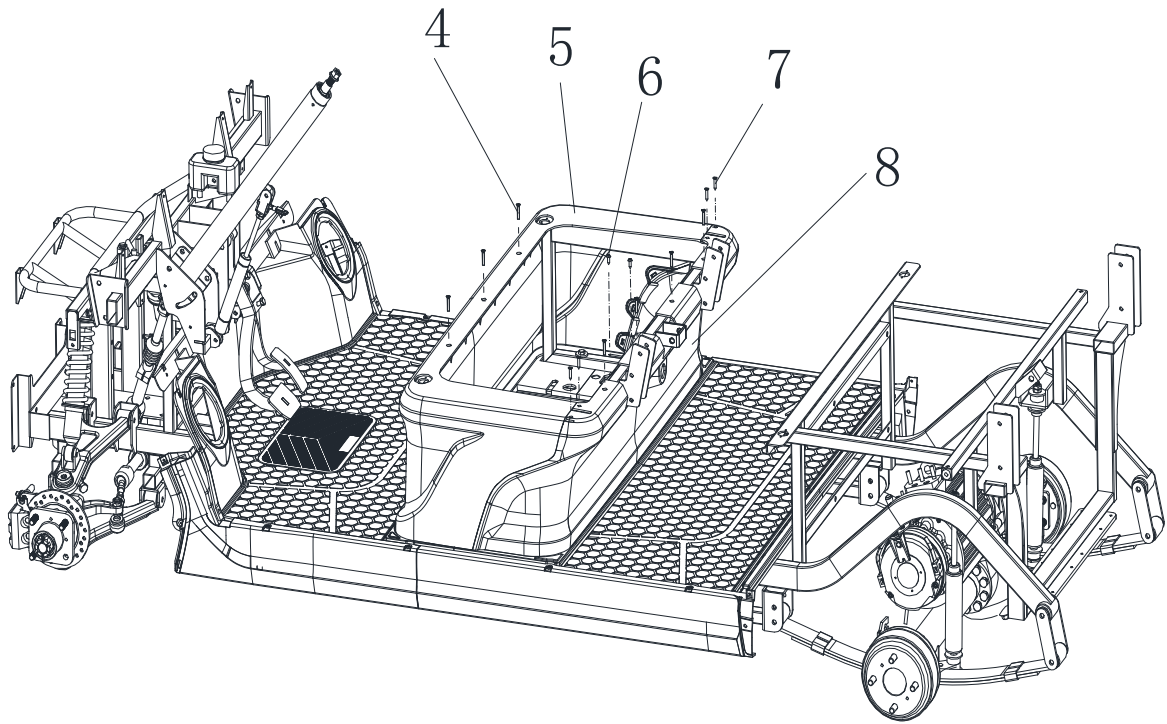
BASE BOARD INTALLATION PARTS LIST

ITEM	PART NO.	PART DESCRIPTION	QTY.
1	2.03.1568	REAR BASE PLATE	1
2		PAN HEAD SCREW, M6×20	2
3	1.02.0077	PAN HEAD SCREW, ST4.8×16	8
4	2.03.1569	BATTERY BOX	1
5	2.03.1567	FRONT BASE PLATE	1
6	2.01.2071	MEDIUM BARREL FRAME	1
7	1.03.0014	HEX HEAD BOLT, M8×45	4
8	1.01.0026	EXTRA LARGE WASHER, M8	8
9	1.01.0027	HEX HEAD ANTI-LOOSE NUT, M8	4
10	2.03.1597	FRONT FOOTREST RUBBER SKIN	1
11	2.03.1598	REAR FOOTREST RUBBER SKIN	1

BASE BOARD INTALLATION



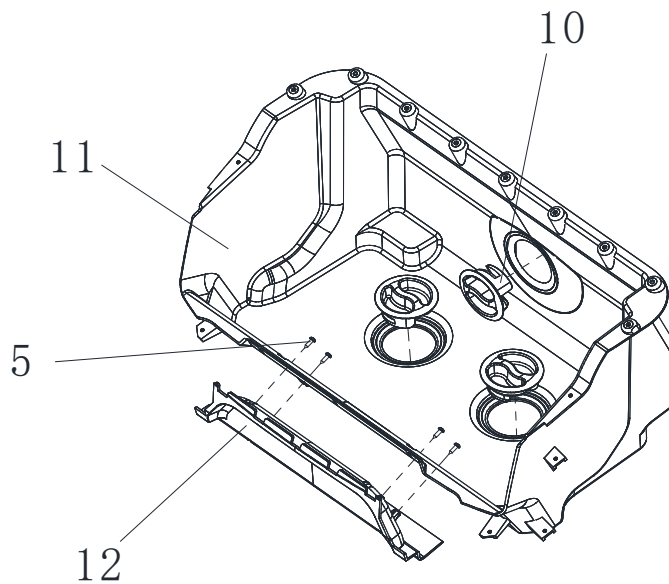
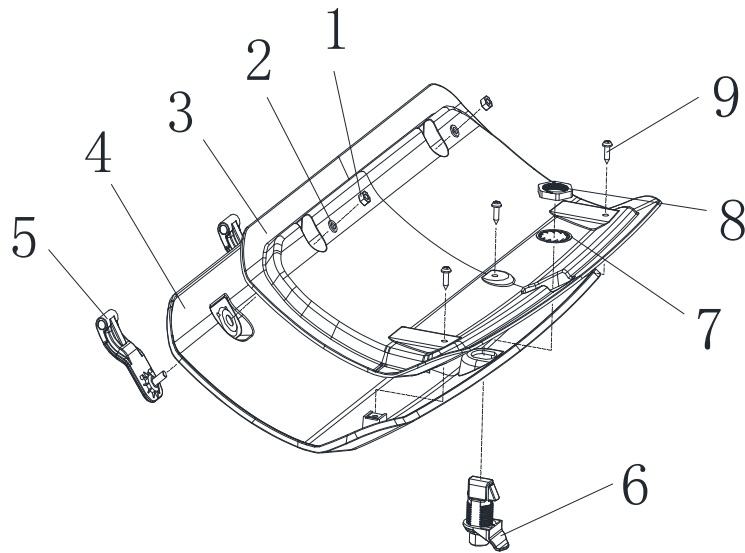
BASE BOARD INTALLATION



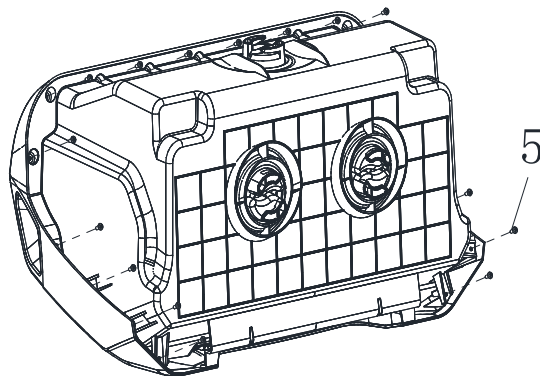
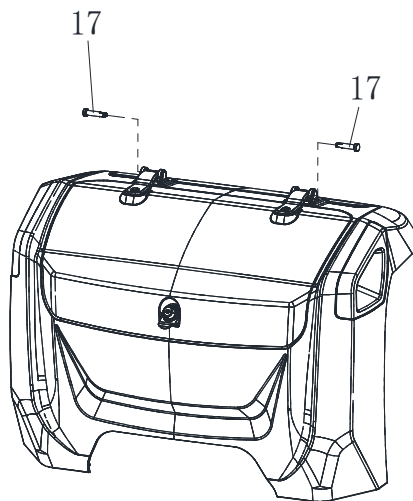
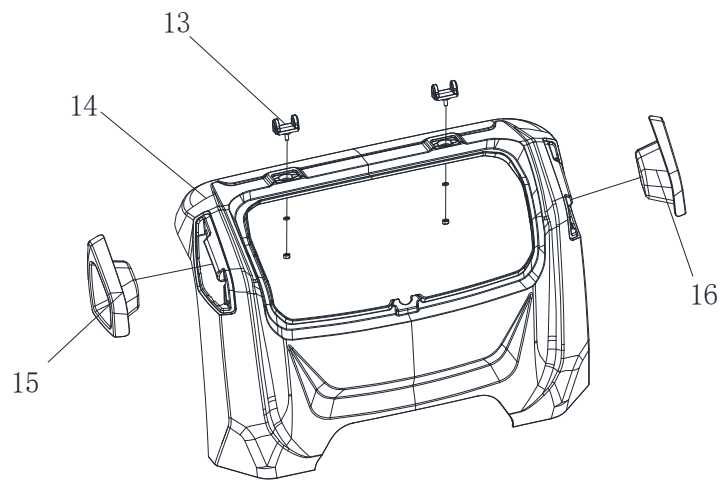
BASE BOARD INTALLATION PARTS LIST

ITEM	PART NO.	PART DESCRIPTION	QTY.
1	1.02.0077	PAN HEAD SCREW, ST4.8×16	8
2	2.03.1572	REAR SIDE PANEL, DRIVER SIDE	1
3	2.03.1570	FRONT SIDE PANEL, DRIVER SIDE	1
4	1.01.0270	PAN HEAD SCREW, ST4.8×25	8
5	2.03.1565	FRONT BAFFLE FOR FRONT SEAT BUCKET	1
6	1.02.0077	PAN HEAD SCREW, ST4.8×16	4
7	1.01.0270	PAN HEAD SCREW, ST4.8×25	4
8	2.03.1566	REAR BAFFLE FOR FRONT SEAT BUCKET	1

REAR STORAGE BOX ASSEMBLY



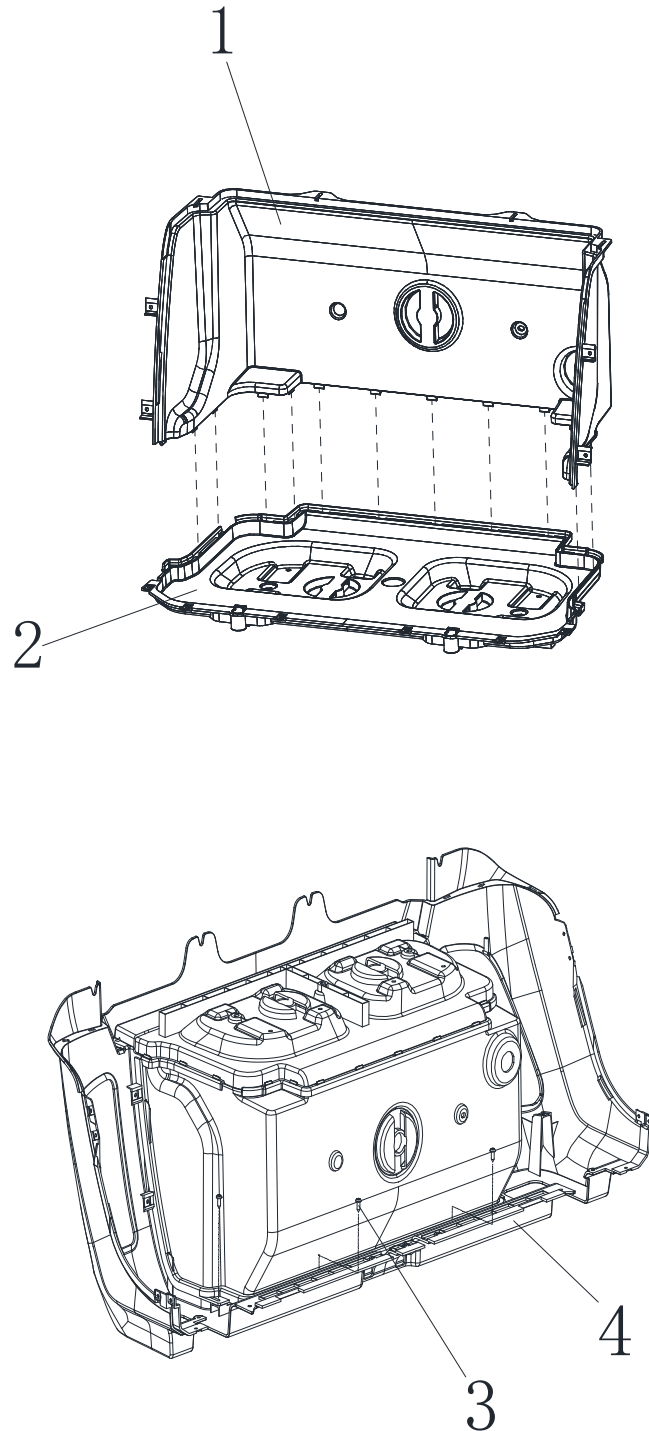
REAR STORAGE BOX ASSEMBLY



REAR STORAGE BOX ASSEMBLY

ITEM	PART NO.	PART DESCRIPTION	QTY.
1	1.01.0006	HEX HEAD NUT, M6	4
2	1.01.0028	EXTRA LARGE WASHER, M6	4
3	2.03.2276	INNER COVER FOR REAR STORAGE BOX	1
4	2.03.2275	REAR STORAGE BOX COVER	1
5	2.03.2278	HINGE HOLDER 2 FOR REAR STORAGE BOX	2
6	2.01.0066	STORAGE BOX LOCK FOR DASH PANEL	1
7			
8			
9	1.02.0077	PAN HEAD SCREW, ST4.8×16	24
10	2.03.2280	FIXED SWIVEL BASE FOR REAR STORAGE BOX	3
11	2.03.2270	BOTTOM BOX FOR REAR STORAGE BOX	1
12	2.03.2272	BOX SURFACE 2 FOR REAR STORAGE BOX	1
13	2.03.2277	HINGE HOLDER FOR REAR STORAGE BOX	2
14	2.03.2271	BOX SURFACE 1 FOR REAR STORAGE BOX	1
15	2.03.2273	LEFT CARRY HANDLE REAR STORAGE BOX	1
16	2.03.2274	RIGHT CARRY HANDLE REAR STORAGE BOX	1
17	2.03.2279	HINGE FOR STORAGE BOX	2

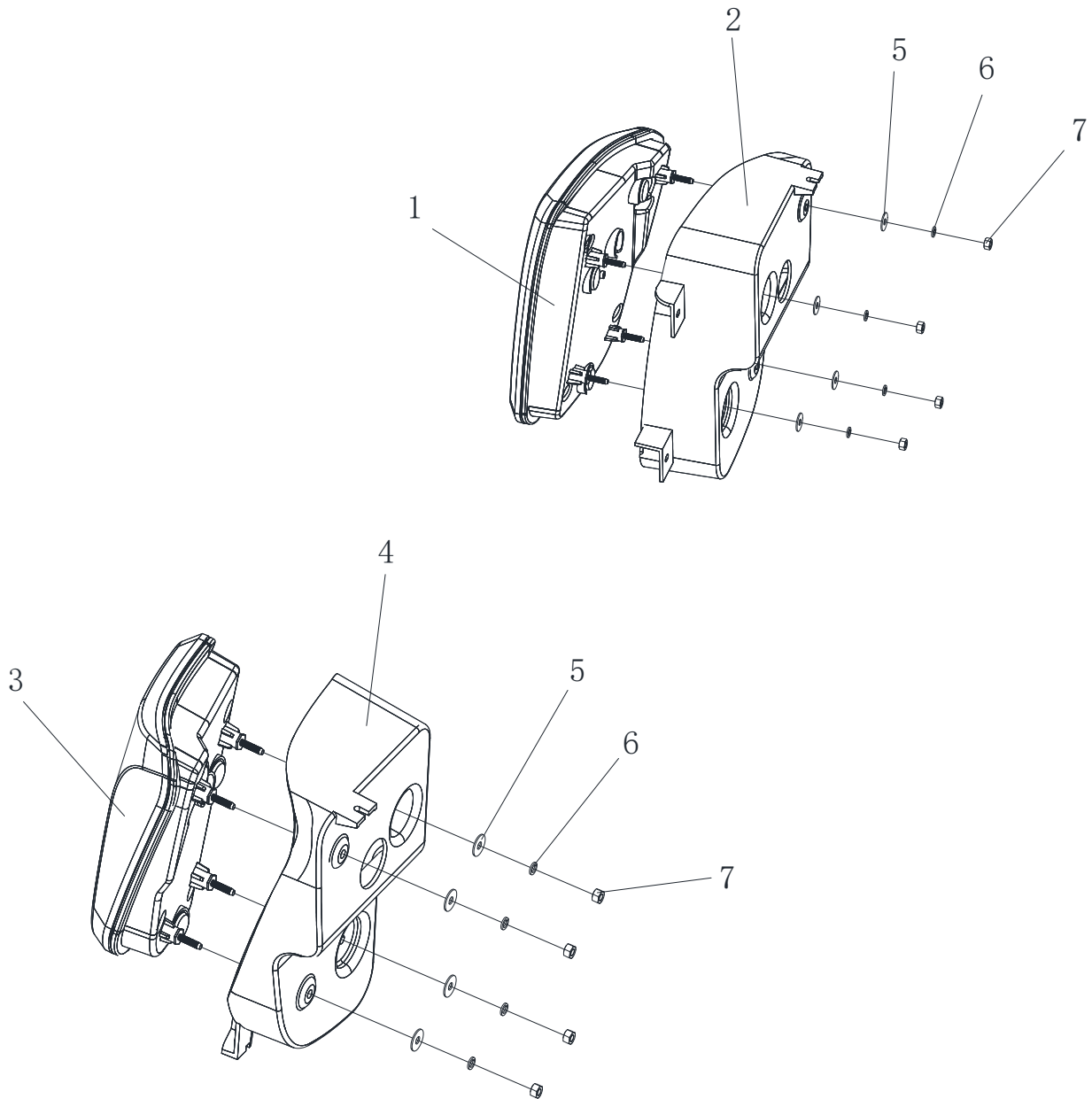
REAR BODY INSTALLATION



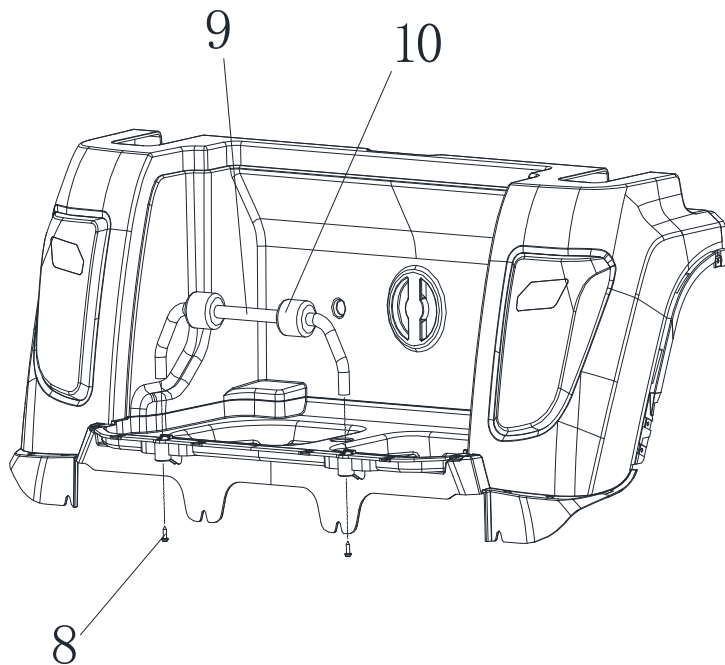
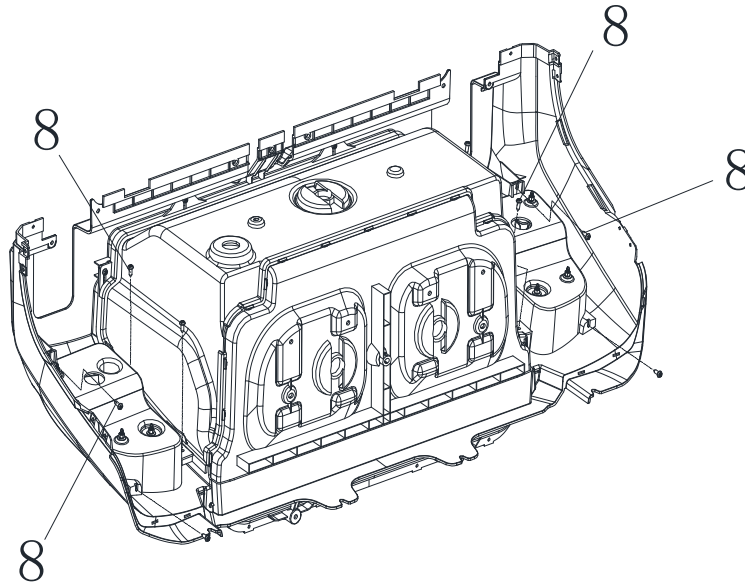
REAR BODY INSTALLATION ASSEMBLY

ITEM	PART NO.	PART DESCRIPTION	QTY.
1	2.03.1579	PROTECTIVE LINING	1
2	2.03.2133	PROTECTIVE LINING BUTTON BRACKET	1
3	1.02.0077	PAN HEAD SCREW, ST4.8×16	4
4	2.03.1575	REAR COWL	1

REAR BODY INSTALLATION



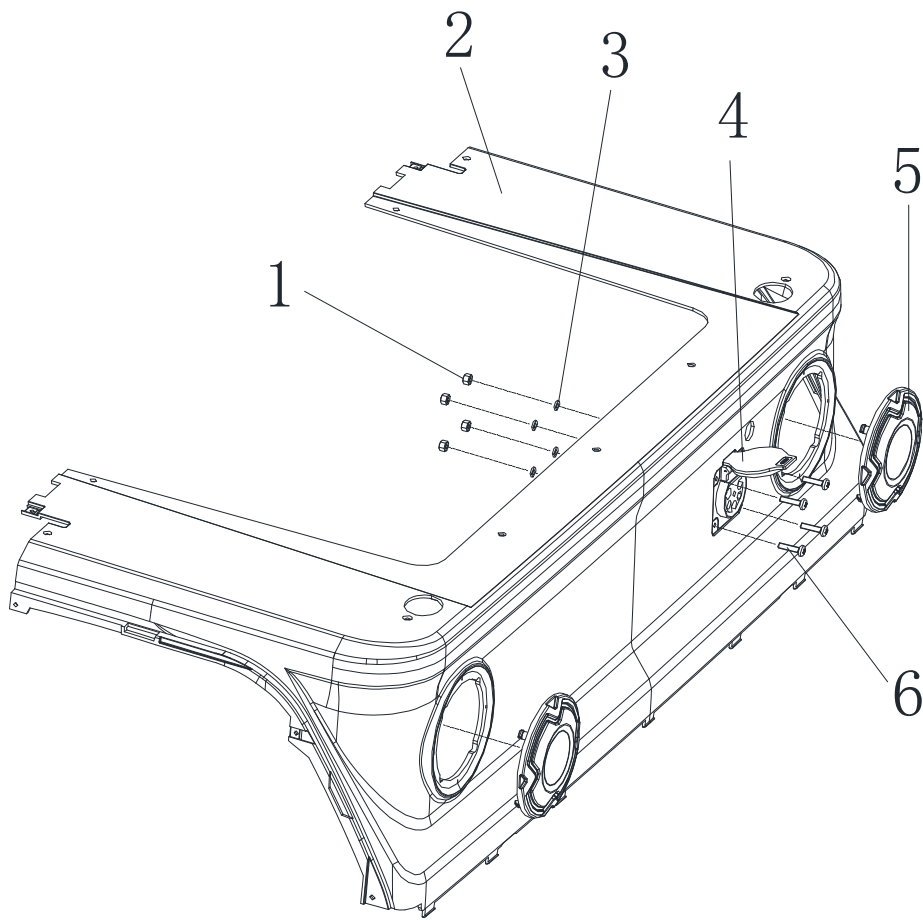
REAR BODY INSTALLATION



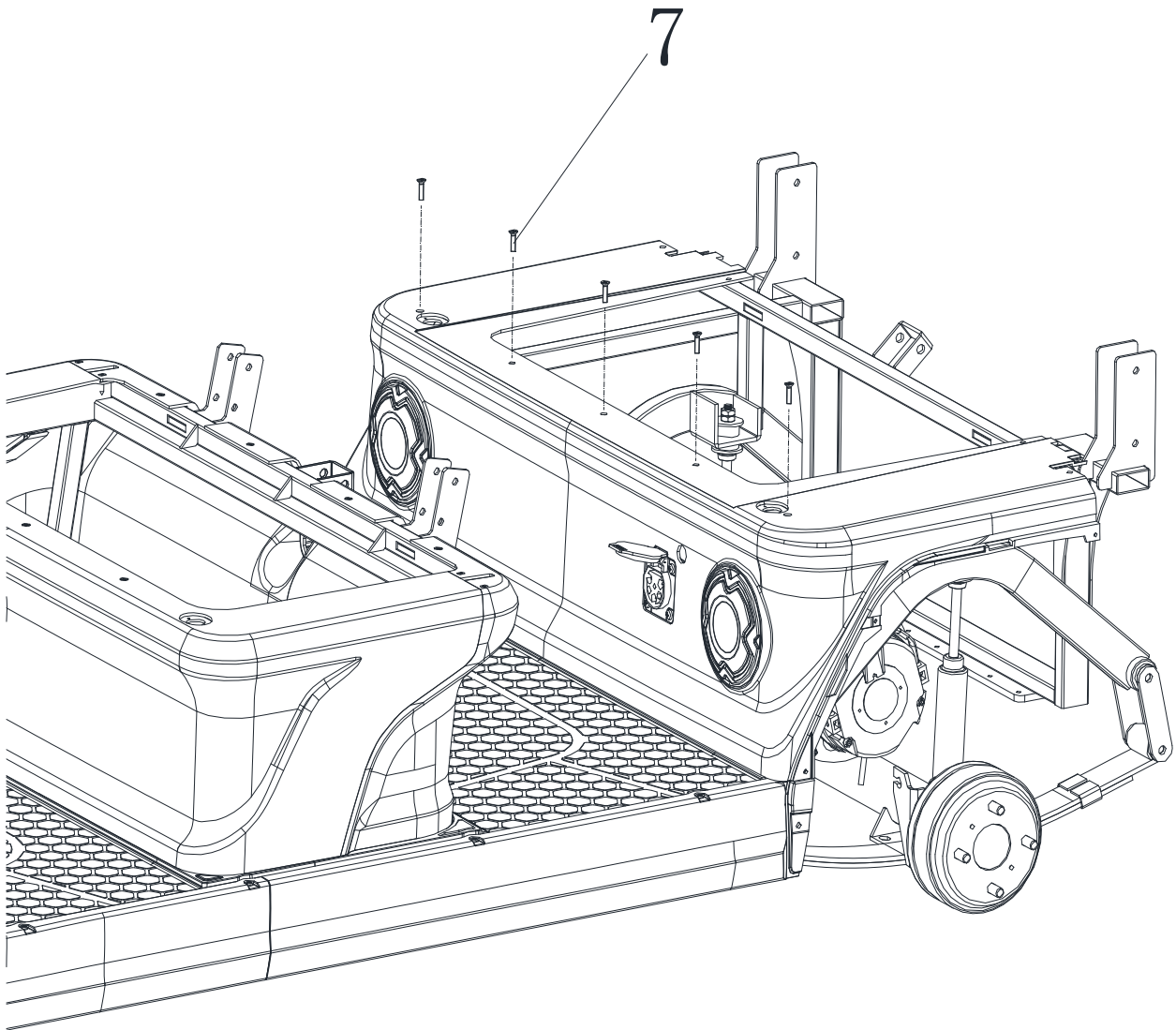
REAR BODY INSTALLATION ASSEMBLY

ITEM	PART NO.	PART DESCRIPTION	QTY.
1	2.04.1370	TAILLIGHT, DRIVER SIDE	1
2	2.03.1576	REAR COVER FOR TAILLAMPS, DRIVER SIDE	1
3	2.04.1371	TAILLIGHT, PASSENGER SIDE	1
4	2.03.1577	REAR COVER FOR TAILLAMPS, PASSENGER SIDE	1
5	1.01.0010	EXTRA LARGE WASHER, M5	8
6	1.01.0004	SNAP WASHER, M5	8
7	1.01.0005	HEX HEAD NUT, M5	8
8	1.02.0077	PAN HEAD SCREW, ST4.8×16	10
9	2.01.2171	RAILING FOR REAR STORAGE BOX	1
10	2.03.2285	RAILING RUBBER FOR REAR STORAGE BOX	2

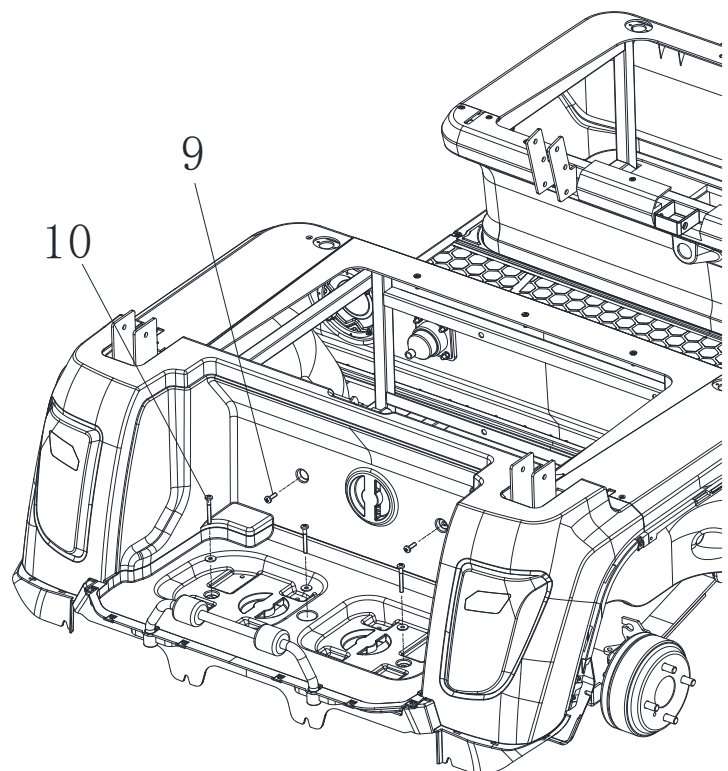
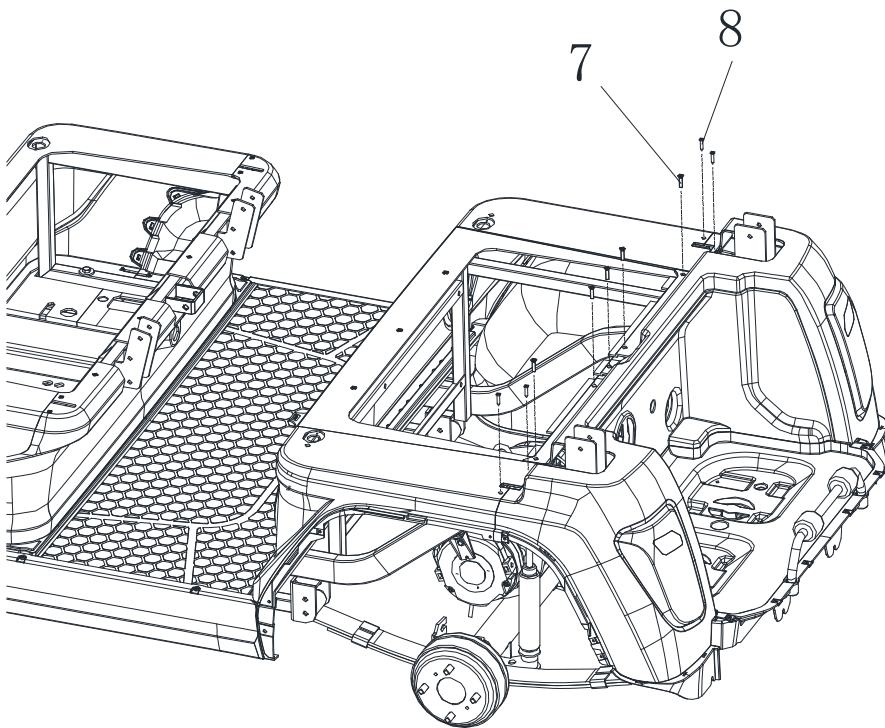
REAR BODY INSTALLATION



REAR BODY INSTALLATION



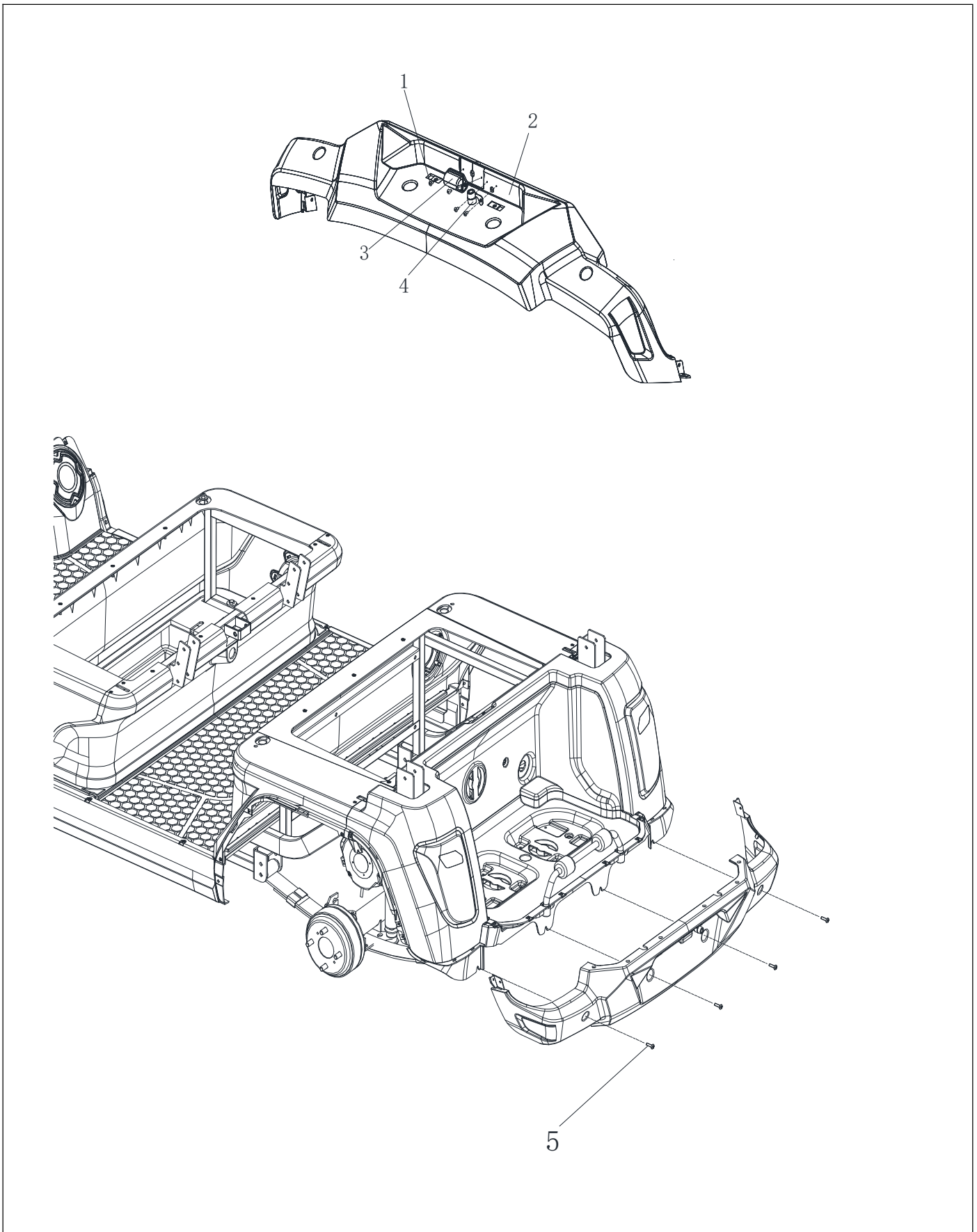
REAR BODY INSTALLATION



REAR BODY INSTALLATION PARTS LIST

ITEM	PART NO.	PART DESCRIPTION	QTY.
1	1.01.0006	HEX HEAD NUT, M6	4
2	2.03.1574	FRONT BAFFLE FOR REAR COWL	1
3	1.01.0041	WASHER, M6	4
4	2.04.0602	CHARGE RECEPTACLE WITH CABLE	1
5	2.03.2283	DECORATION COVER FOR SPEAKER	2
6	1.01.0081	PAN HEAD SCREW, M6×30	4
7	1.02.0042	COUNTERSUNK HEAD SCREW, M6×25	10
8	1.02.0077	COUNTERSUNK HEAD SCREW, ST4.8×16	4
9		PAN HEAD SCREW, M6×20	2
10	1.01.0248	PAN HEAD SCREW, M6×50	3

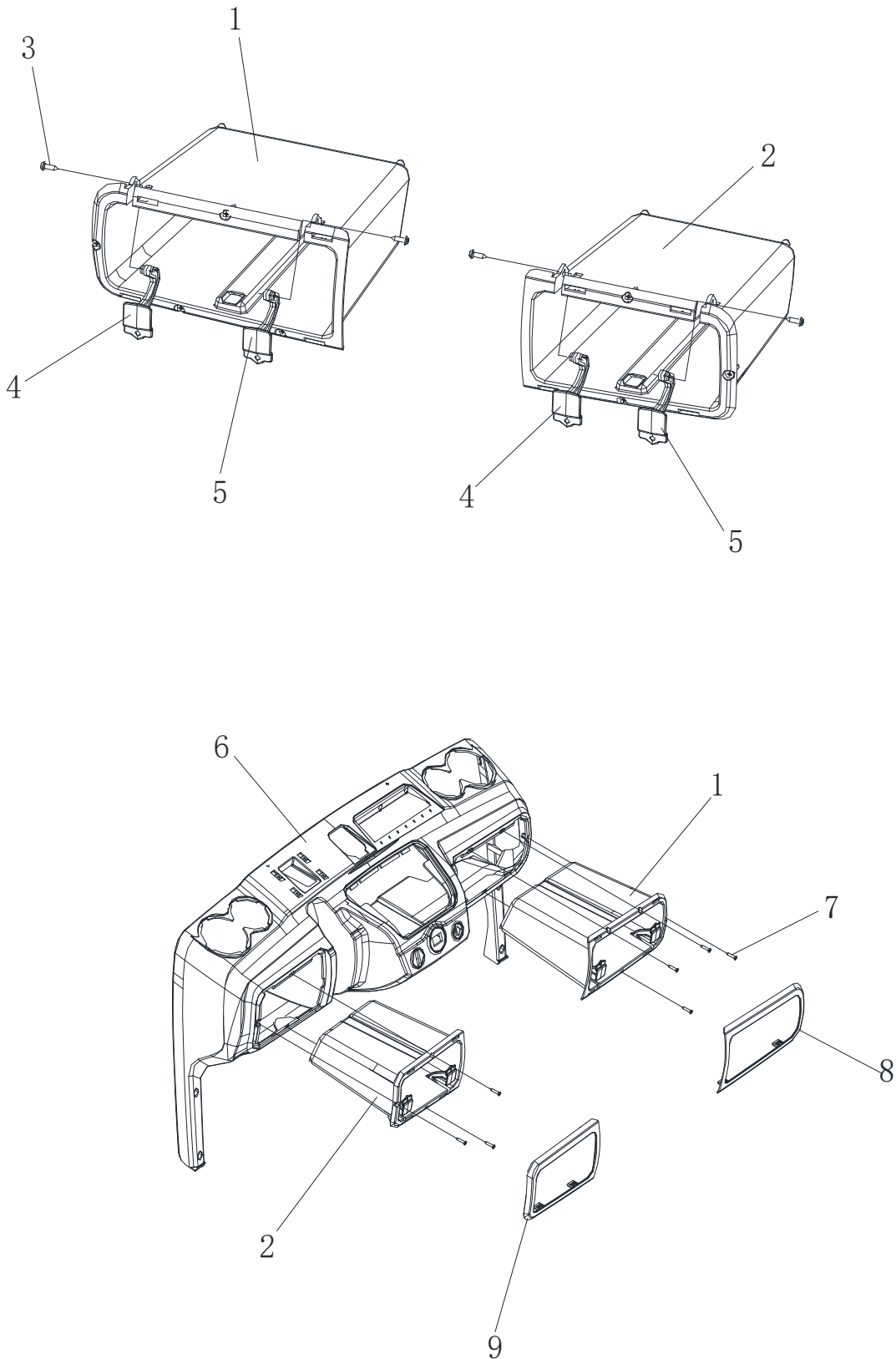
REAR BODY INSTALLATION



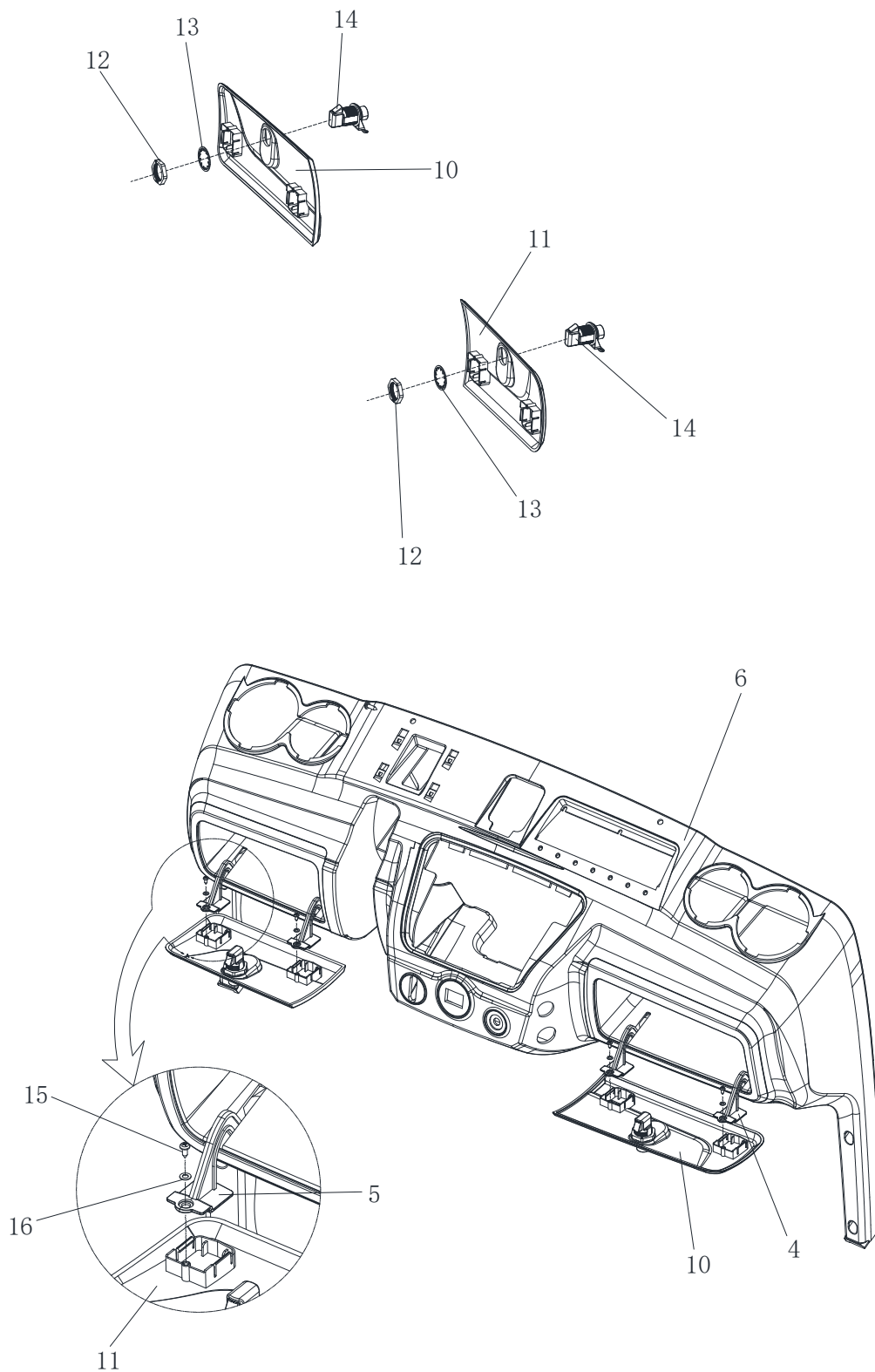
REAR BODY INSTALLATION PARTS LIST

ITEM	PART NO.	PART DESCRIPTION	QTY.
1		PAN HEAD SCREW, ST2.9×9.5	4
2	2.03.1588	REAR BUMPER	1
3	2.04.1414	LICENSE LIGHT	1
4	2.04.1073	BACK UP CAMERA	1

DASHBOARD INSTALLATION



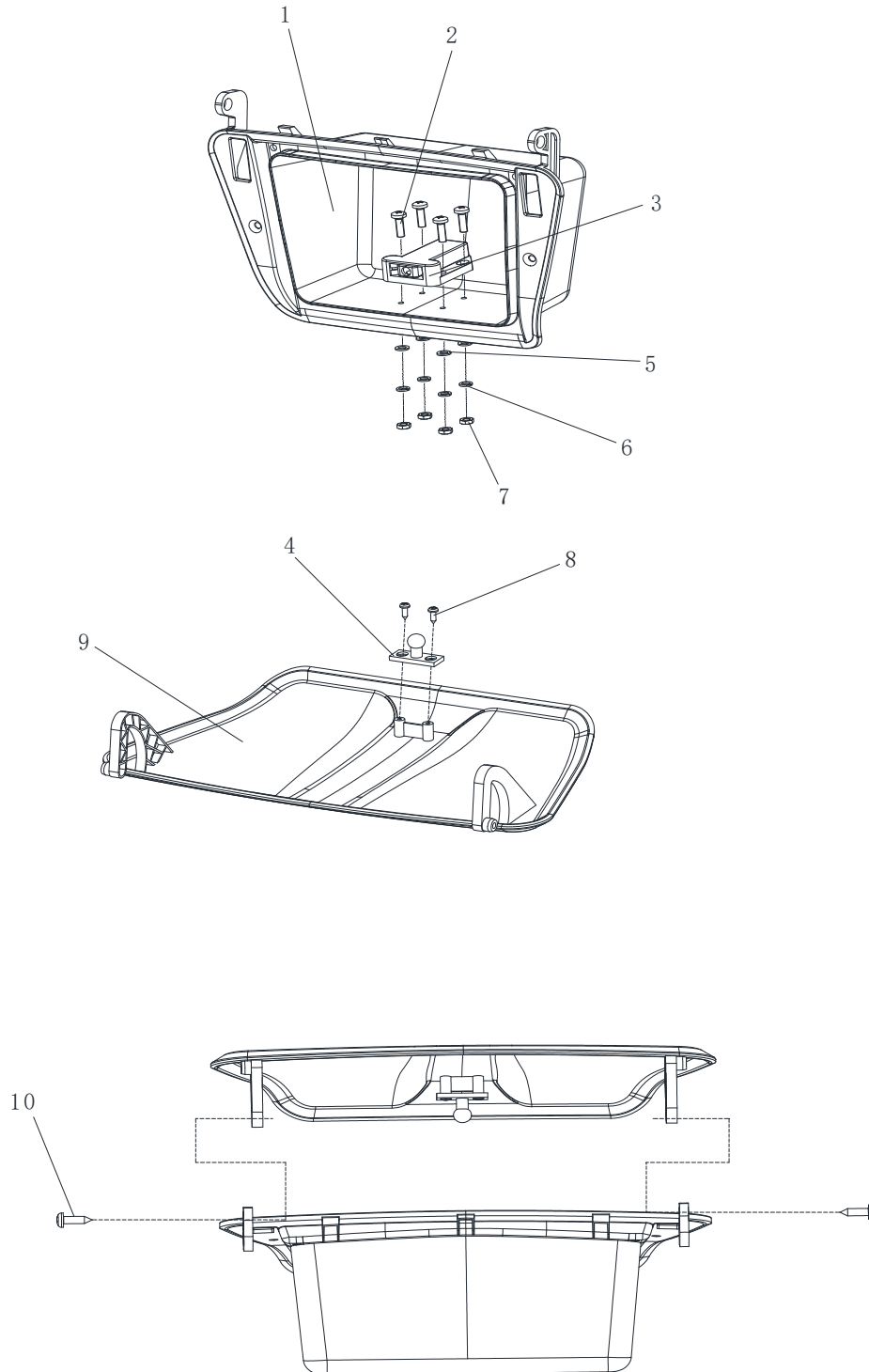
DASHBOARD INSTALLATION



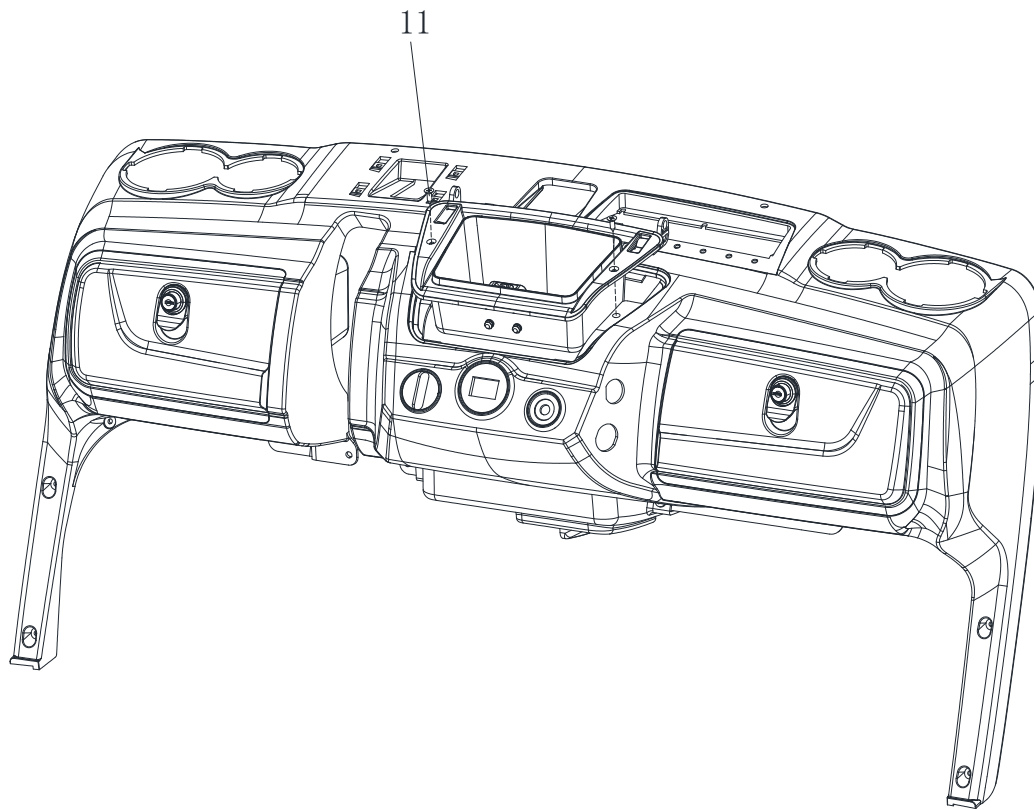
DASHBOARD INSTALLATION PARTS LIST

ITEM	PART NO.	PART DESCRIPTION	QTY.
1	2.03.1564	STORAGE BOX, PASSENGER SIDE	1
2	2.03.1563	STORAGE BOX, DRIVER SIDE	1
3	1.02.0077	PAN HEAD SCREW, ST4.8×16	4
4	2.03.1616	RIGHT HINGE FOR GLOVE BOX	2
5	2.03.1615	LEFT HINGE FOR GLOVE BOX	2
6	2.03.1549	DASH PANEL	1
7	1.02.0079	COUNTERSUNK SCREW, ST4.8×16	4
8	2.03.1560	RIGHT DECORATE STRIP FOR STORAGE BOX	1
9	2.03.1561	LEFT DECORATE STRIP FOR STORAGE BOX	1
10	2.03.1560	DOOR FOR STORAGE BOX, PASSENGER SIDE	1
11	2.03.1559	DOOR FOR STORAGE BOX, DRIVER SIDE	1
12	2.01.0066	STORAGE BOX LOCK FOR DASH PANEL	2
13			
14			
15		PAN HEAD SCREW, ST2.9×9.5	4
16	1.01.0014	WASHER, M3	4

DASHBOARD INSTALLATION



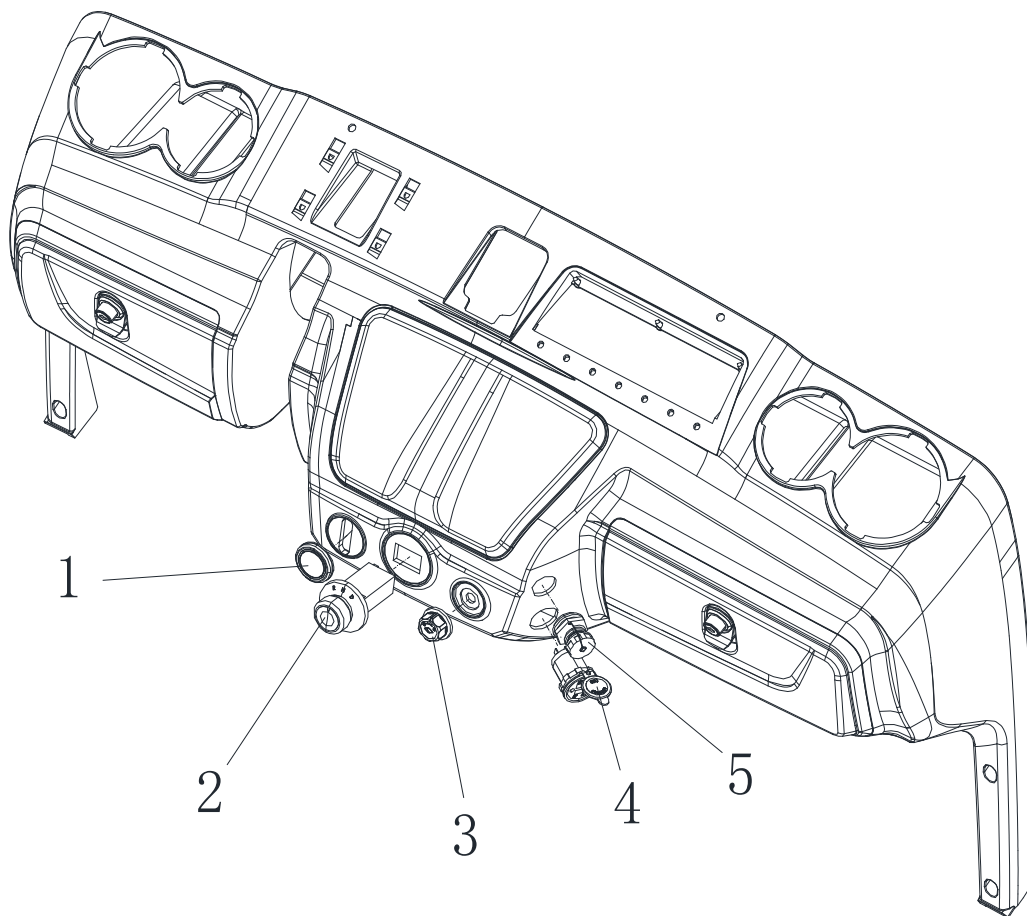
DASHBOARD INSTALLATION



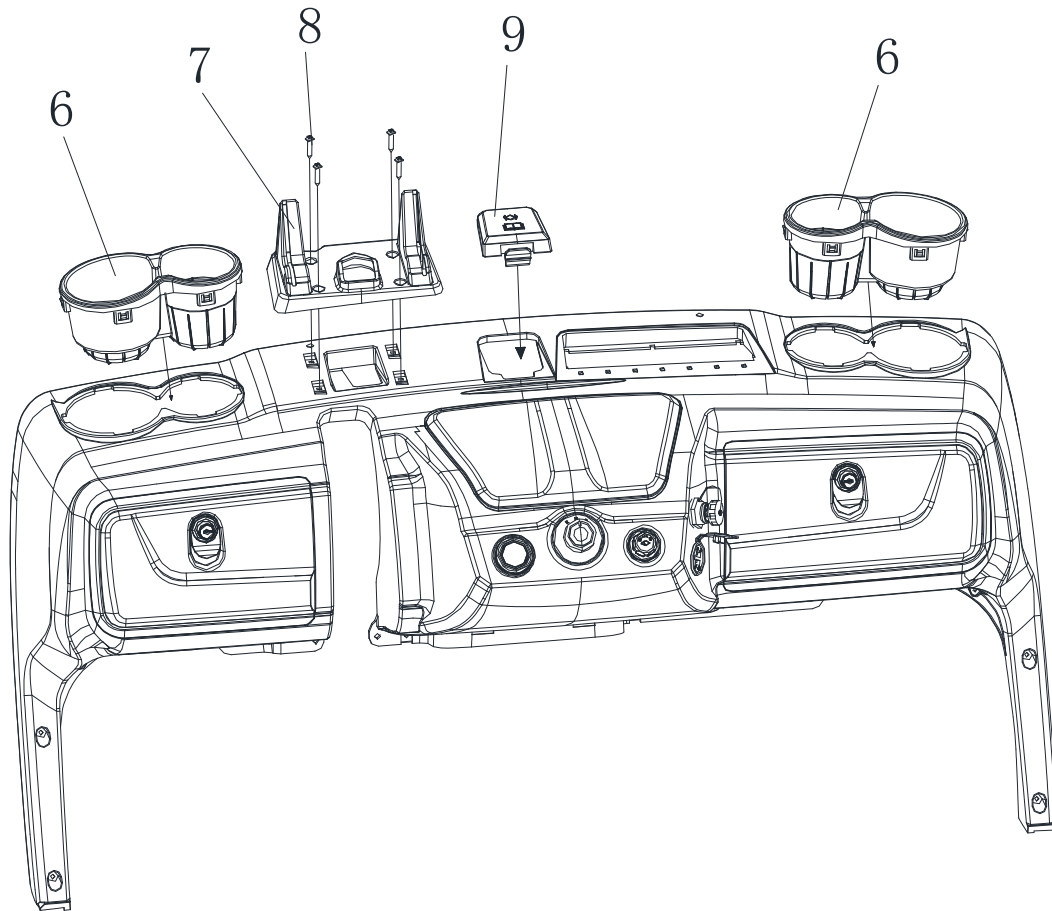
DASHBOARD INSTALLATION PARTS LIST

ITEM	PART NO.	PART DESCRIPTION	QTY.
1	2.03.1558	STORAGE BOX FOR DASH PANEL	1
2		PAN HEAD SCREW, M5×20	4
3	2.01.0066	STORAGE BOX COVER LOCK FOR DASH PANEL	1
4			
5	1.01.0029	WASHER, M5	4
6	1.01.0004	SNAP WASHER, M5	4
7	1.01.0005	HEX HEAD NUT, M5	4
8	1.02.0077	PAN HEAD SCREW, ST4.8×16	2
9	2.03.1557	STORAGE BOX COVER FOR DASH PANEL	1
10	1.02.0077	PAN HEAD SCREW, ST4.8×16	2
11	1.02.0077	COUNTERSUNK SCREW, ST4.8×16	2

DASHBOARD INSTALLATION



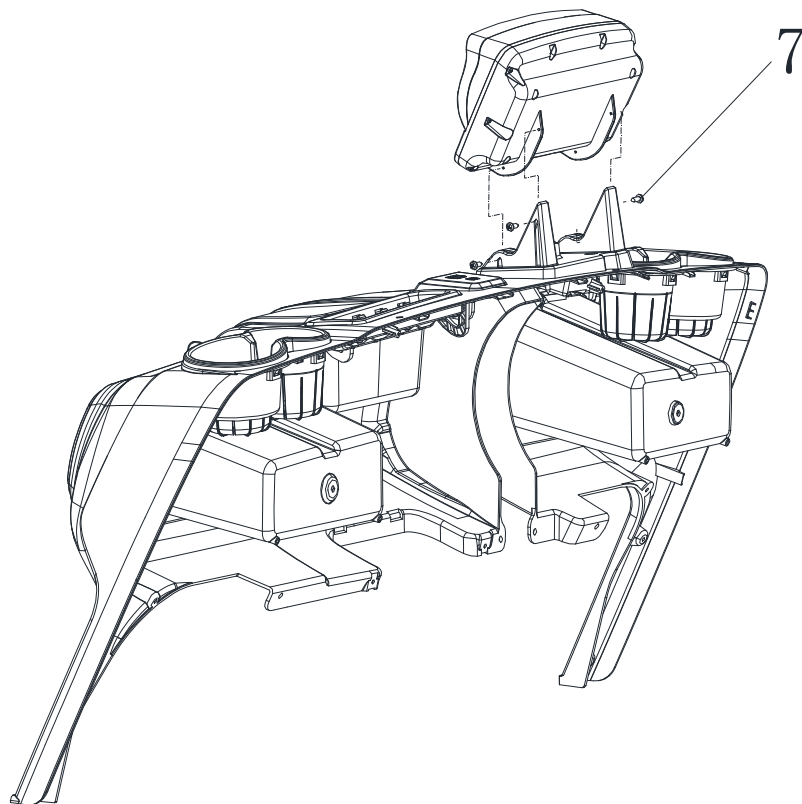
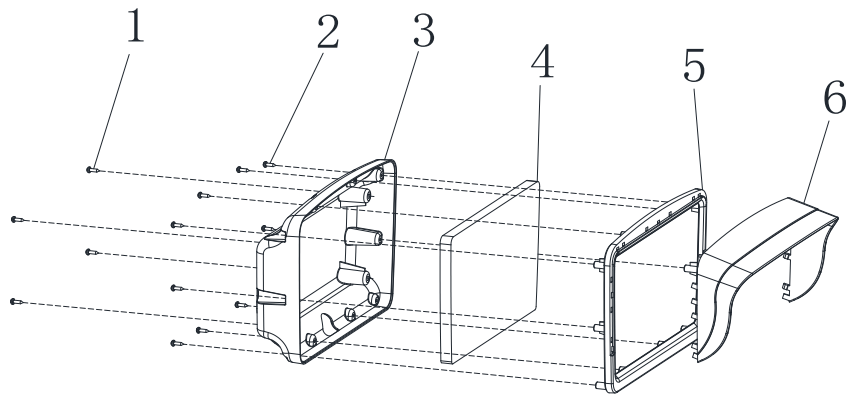
DASHBOARD INSTALLATION



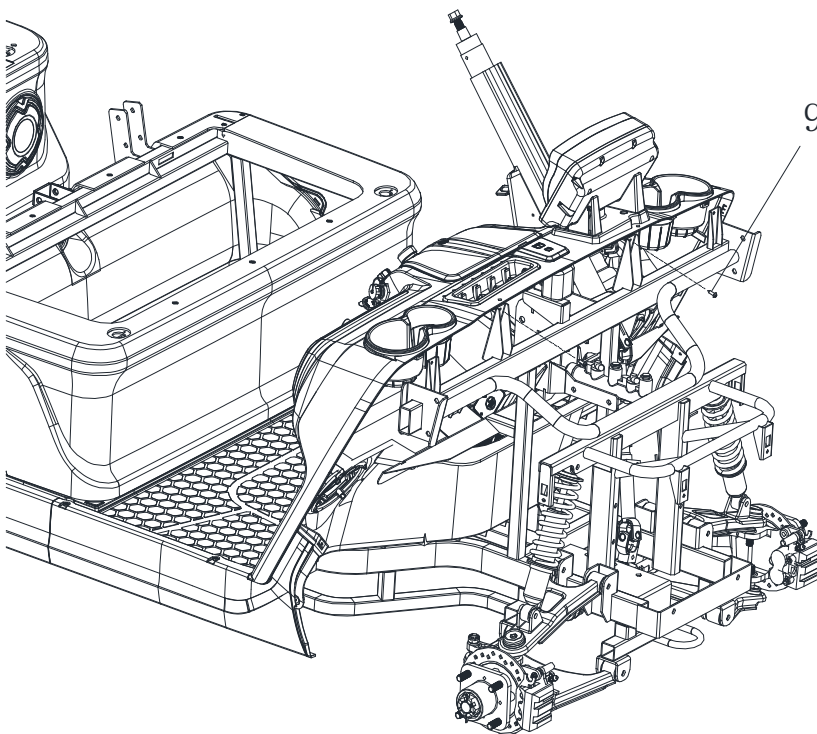
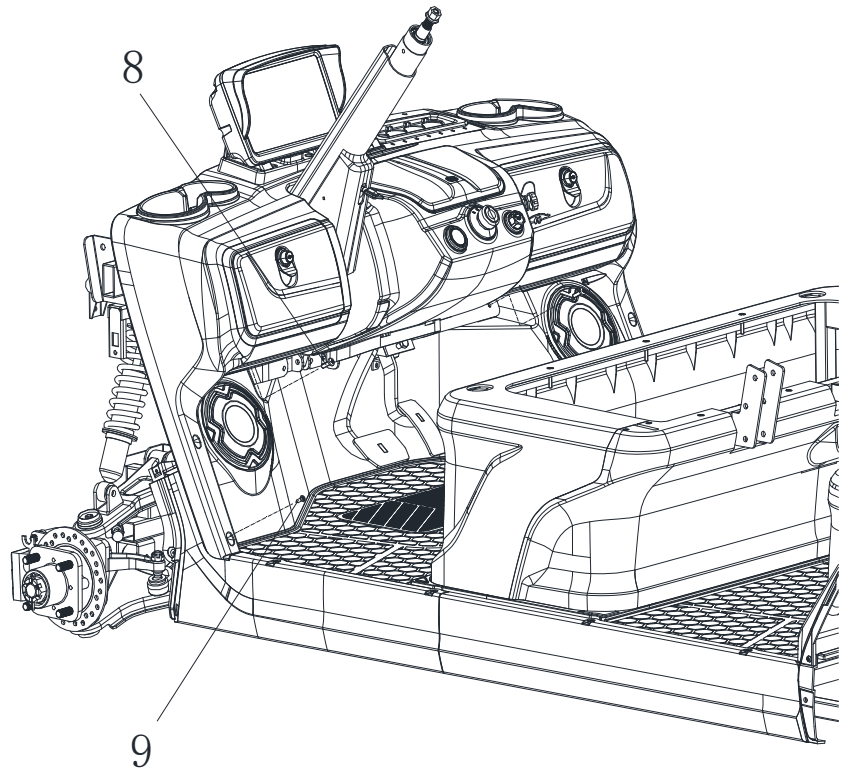
DASHBOARD INSTALLATION

ITEM	PART NO.	PART DESCRIPTION	QTY.
1	2.04.1175	POWER PUSH BUTTON START SYSTEM, 48V	1
2	2.04.0916	DIRECTION SHIFTING SWITCH (D/N/R)	1
3	2.04.0649	KNOB SWITCH BOTH FOR WIPER AND HIGH/LOW SPEED MODE	1
	2.03.0538	COVER FOR WIPER KNOB SWITCH AND HIGH/LOW SPEED MODE	1
	2.04.1037	STICKER FOR HIGH/LOW SPEED MODE KNOB SWITCH	1
4	2.04.1419	USB CHARGE PORT	1
5	2.04.0891	USB PORT FOR 9" TOUCHSCREEN	1
6	2.03.1548	CUP HOLDER FOR DASH PANEL	2
7	2.03.1555	BASE MOUNTING FOR 9 INCH TOUCHSCREEN	1
8	1.01.0270	PAN HEAD SCREW, ST4.8×25	4
9	2.03.1556	BRAKE OIL POT COVER	1

DASHBOARD INSTALLATION



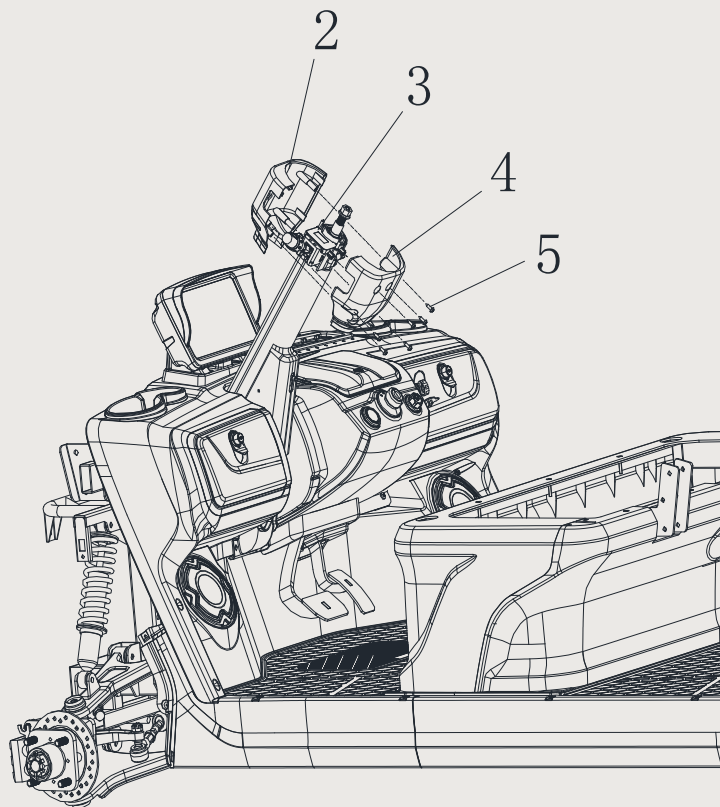
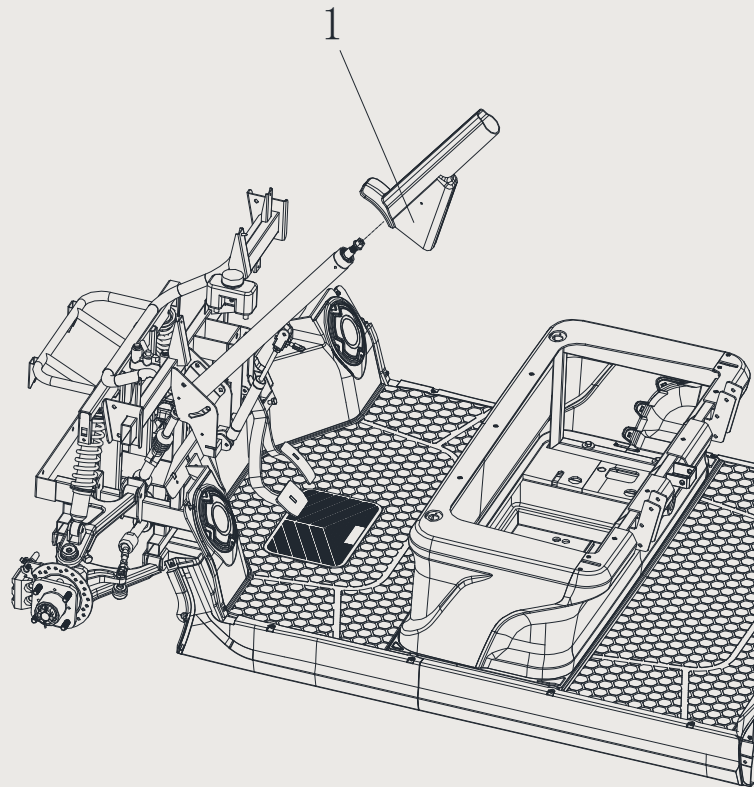
DASHBOARD INSTALLATION



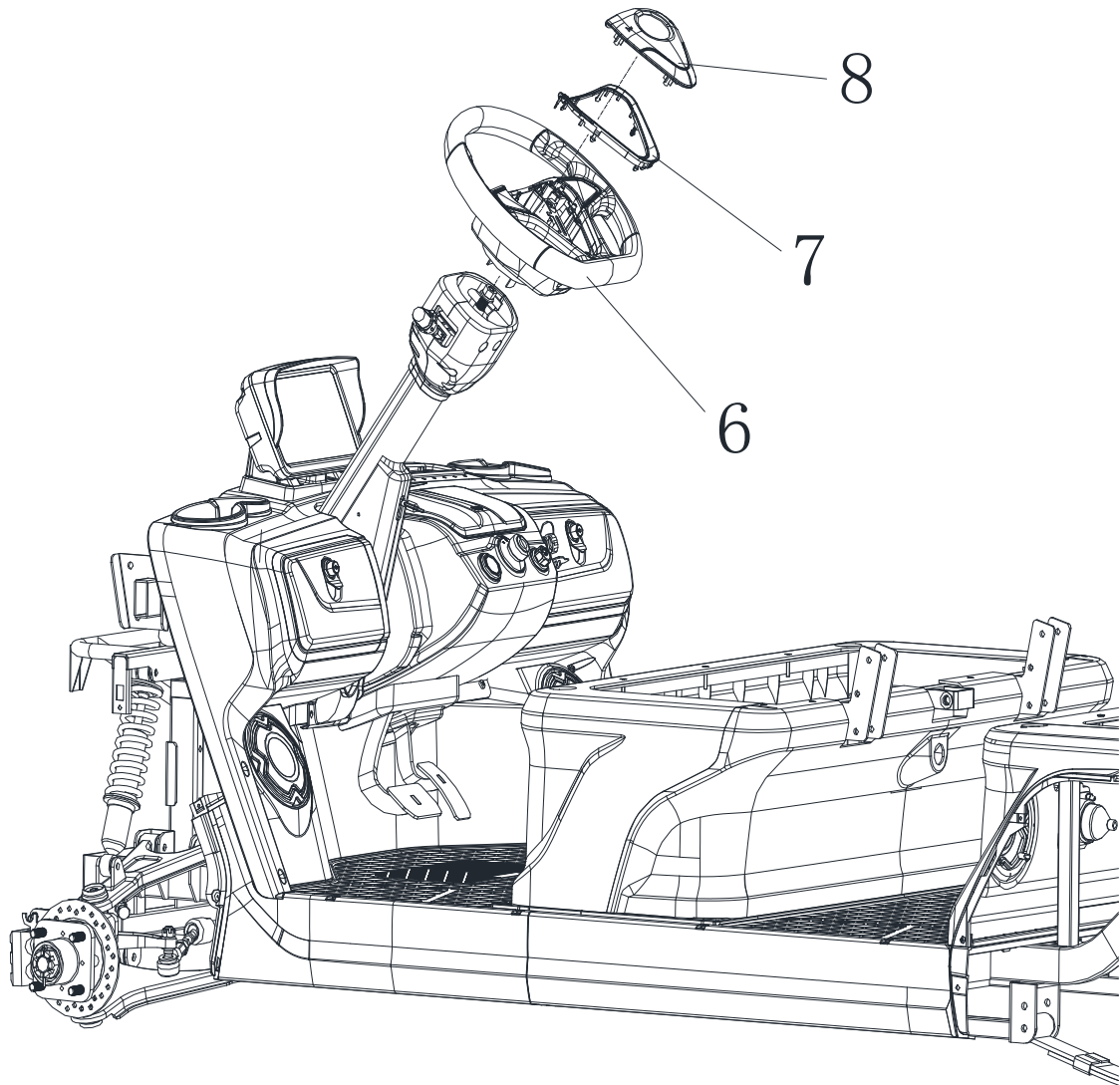
DASHBOARD INSTALLATION PARTS LIST

ITEM	PART NO.	PART DESCRIPTION	QTY.
1		PAN HEAD SCREW, ST2.9×8	4
2		PAN HEAD SCREW, ST2.9×9.5	10
3	2.03.0802	REAR COVER FOR 9 INCH TOUCHSCREEN	1
4		9 INCH TOUCHSCREEN	1
5	2.03.0801	FRONT COVER FOR 9 INCH TOUCHSCREEN	1
6	2.03.0800	SUNSHADE COVER FOR 9 INCH TOUCHSCREEN	1
7	1.02.0077	PAN HEAD SCREW, ST4.8×16	4
8		PAN HEAD SCREW, M6×20	4
9	1.01.0270	PAN HEAD SCREW, ST4.8×25	4

STEERING WHEEL INSTALLATION



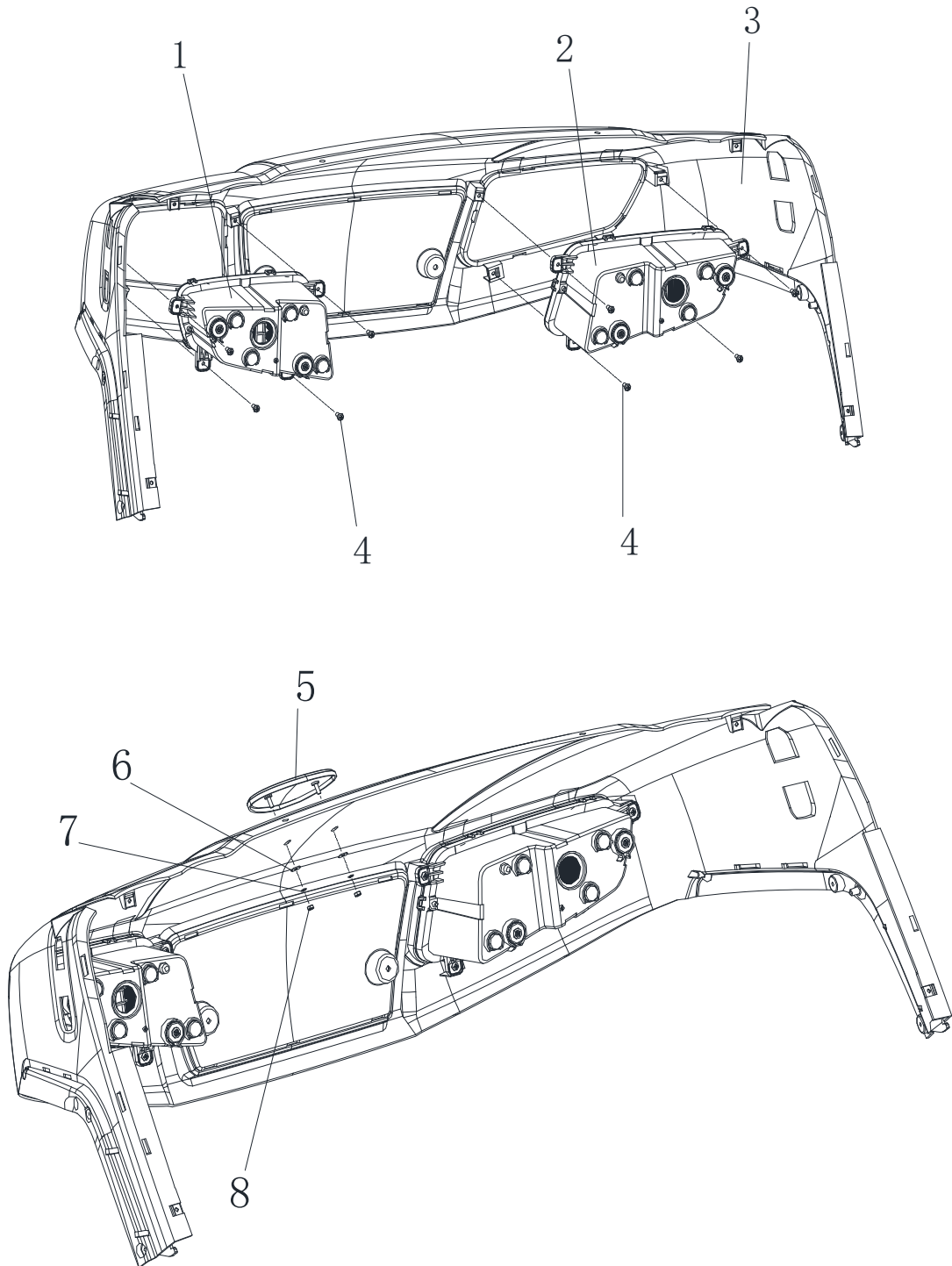
STEERING WHEEL INSTALLATION



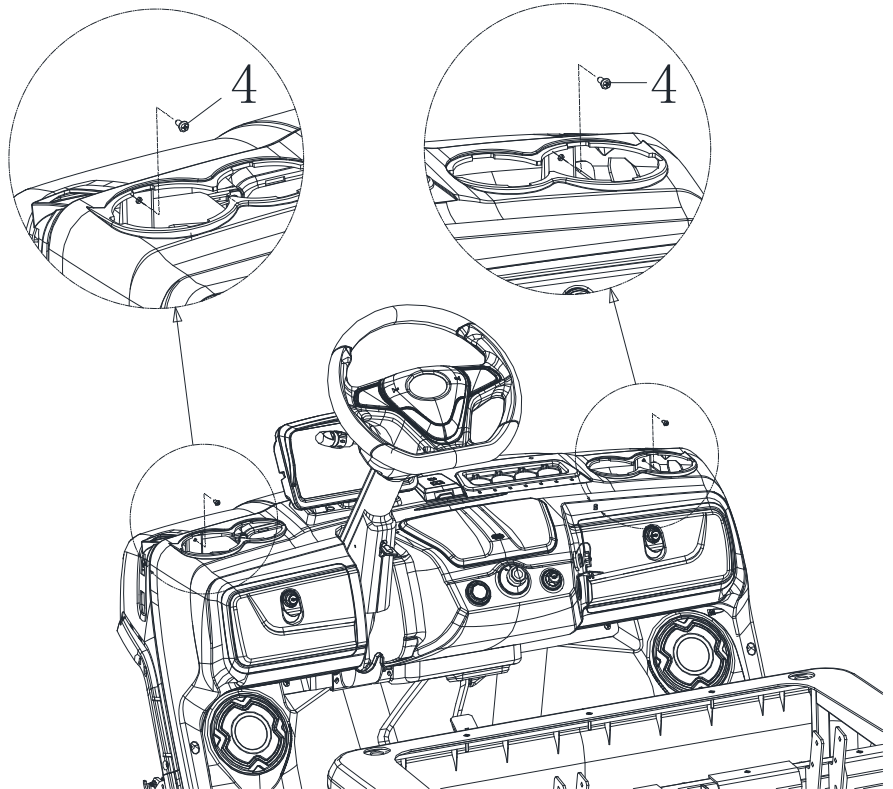
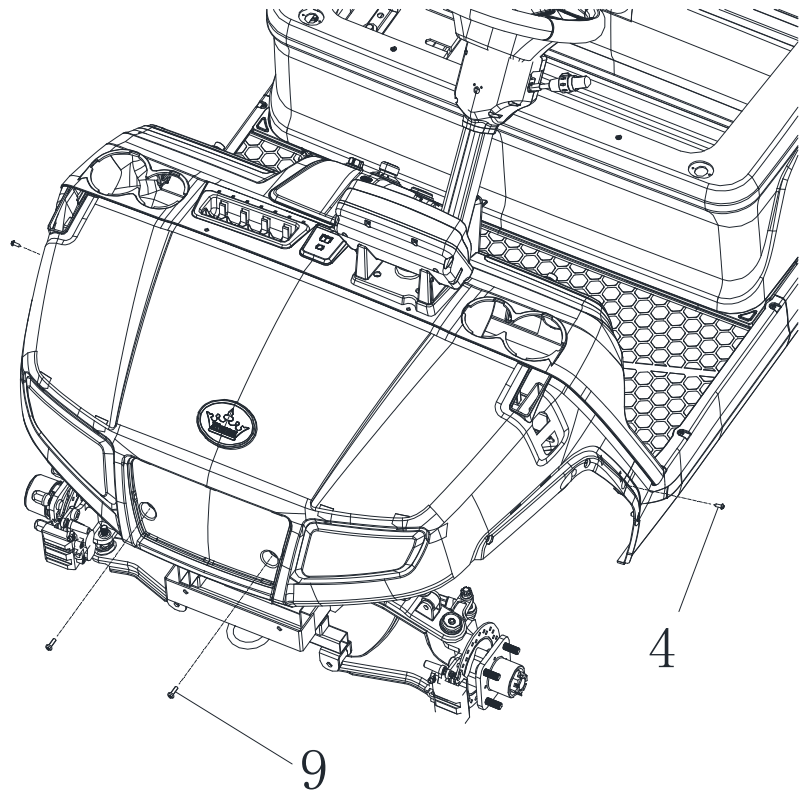
STEERING WHEEL INSTALLATION PARTS LIST

ITEM	PART NO.	PART DESCRIPTION	QTY.
1	2.03.1552	STEERING COLUMN COVER	1
2	2.03.1553	COMBINATION SWITCH COVER, UPPER	1
3	2.04.1365	COMBINATION SWITCH	1
4	2.03.1554	COMBINATION SWITCH COVER, LOWER	1
5	1.02.0077	PAN HEAD SCREW, ST4.8×16	6
6	2.03.1168-1	STEERING WHEEL	1
7	2.03.1168-3	DECORATE STRIP FOR STEERING WHEEL	1
8	2.03.1168-2	HORN CONTROLLER FOR STEERING WHEEL	1

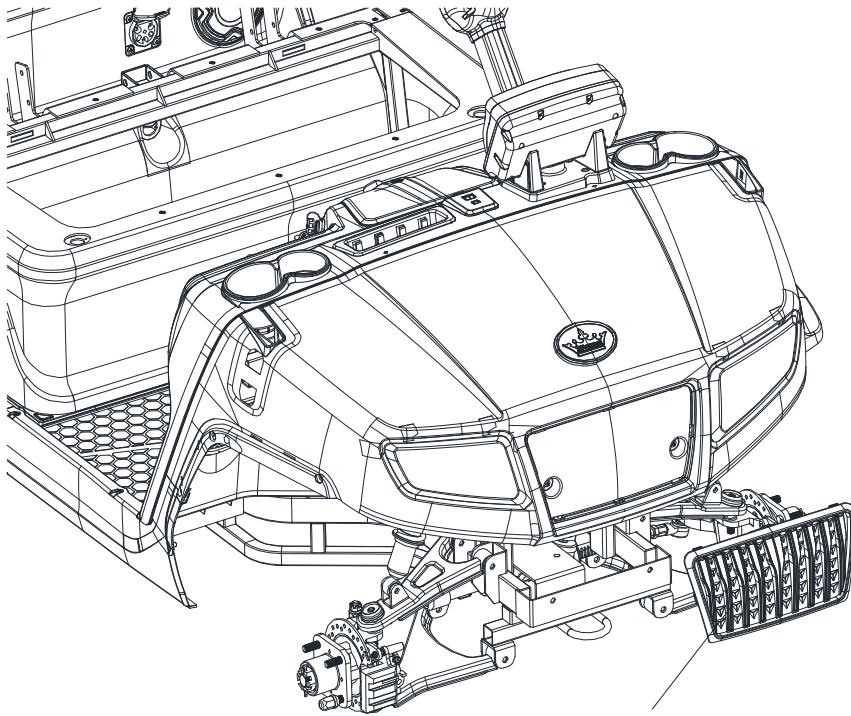
FRONT COWL INSTALLATION



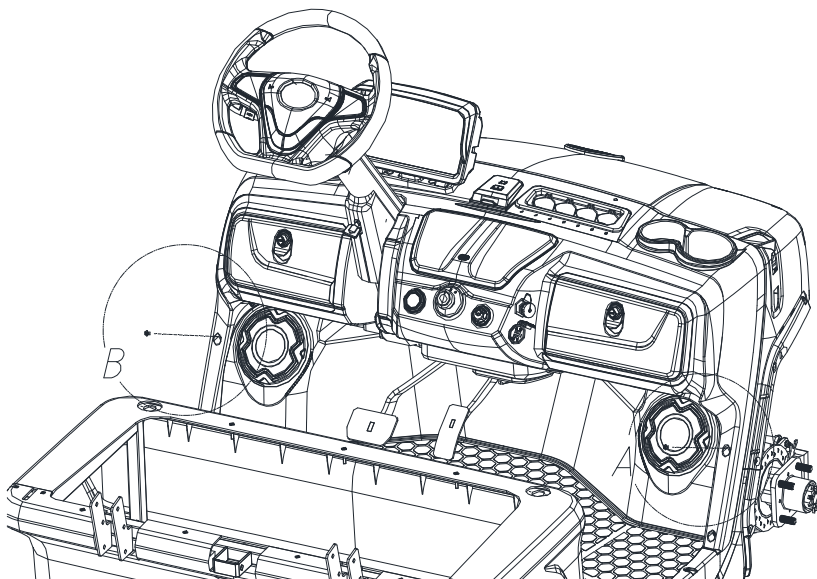
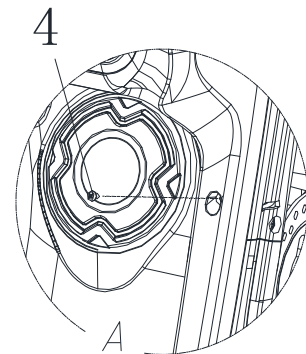
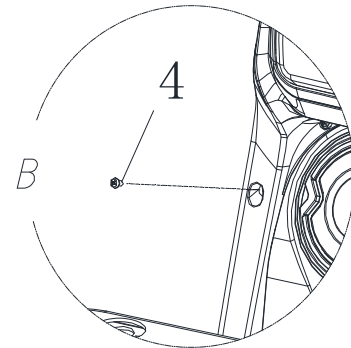
FRONT COWL INSTALLATION



FRONT COWL INSTALLATION



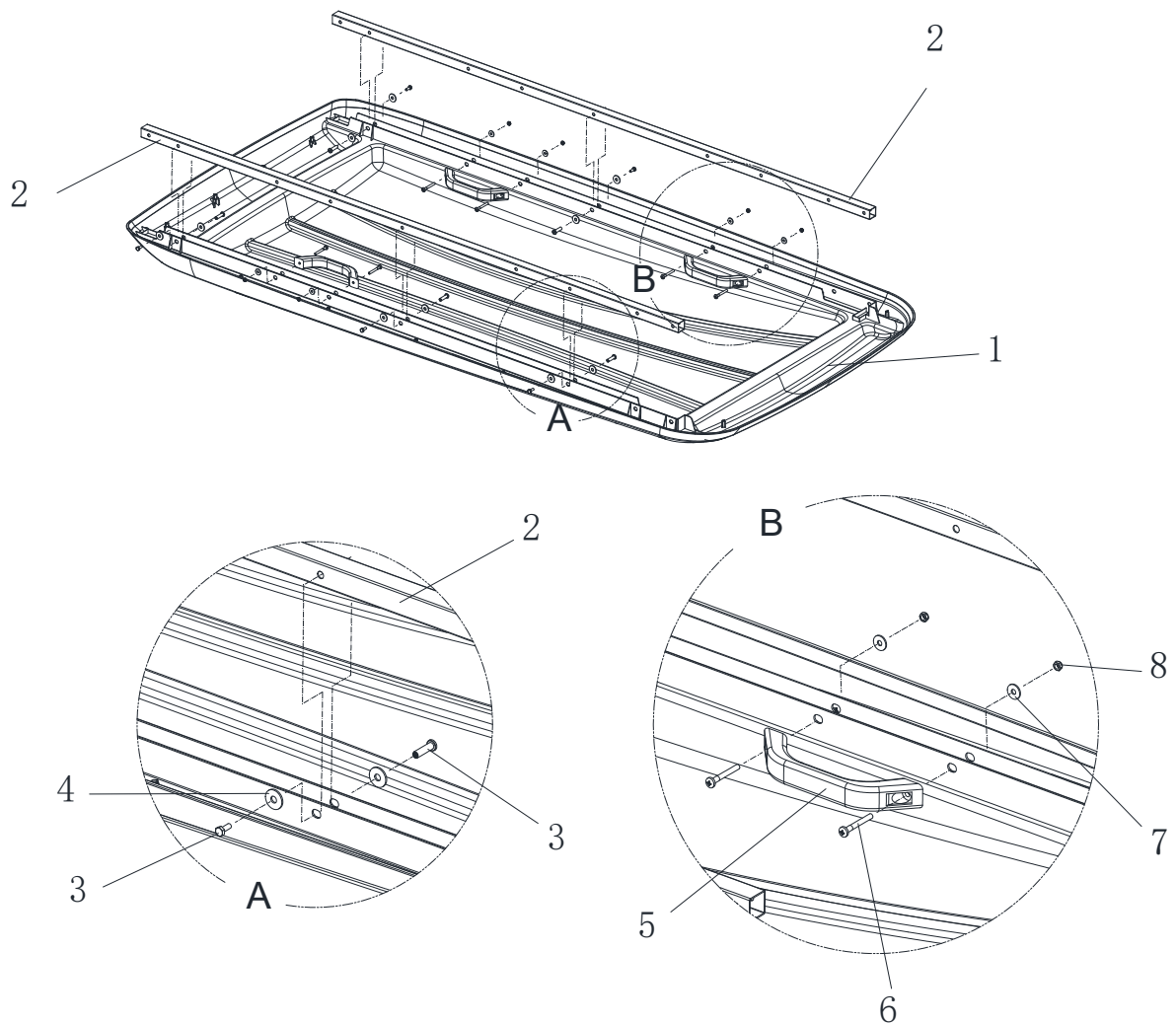
10



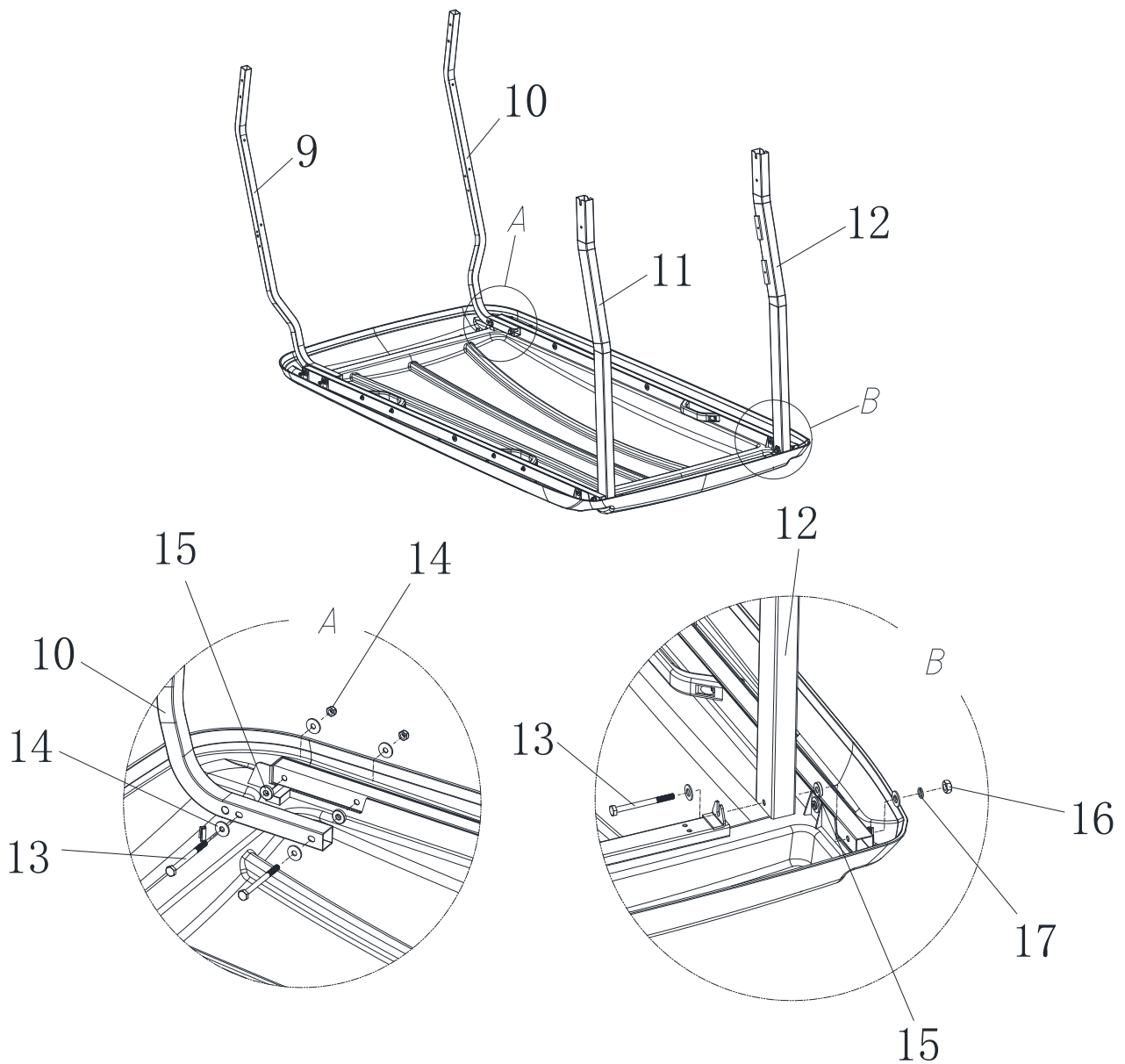
FRONT COWL INSTALLATION PARTS LIST

ITEM	PART NO.	PART DESCRIPTION	QTY.
1	2.04.1369	FRONT HEADLIGHT, PASSENGER SIDE	1
2	2.04.1368	FRONT HEADLIGHT, DRIVER SIDE	1
3	2.03.1541	FRONT COWL	1
4	1.02.0077	PAN HEAD SCREW, ST4.8×16	1
5	2.07.0013	EVOLUTION TRADEMARK PLATE	1
6	1.01.0003	EXTRA LARGE WASHER, M4	2
7	1.01.0006	SNAP WASHER, M4	2
8	1.01.0008	HEX HEAD NUT, M4	2
9		PAN HEAD SCREW, M6×20	2
10	2.03.1542	CENTER MOULDING COVER	1

CANOPY ASSEMBLY INSTALLATION



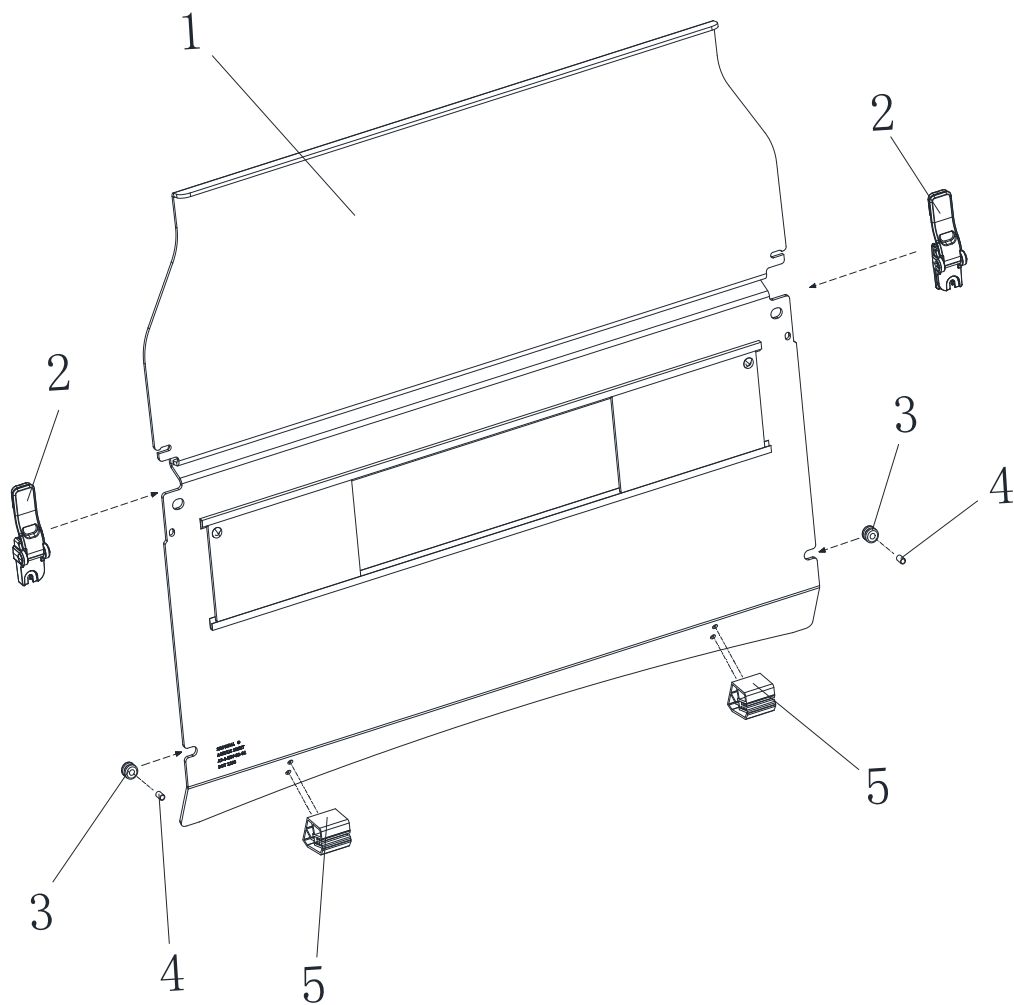
CANOPY ASSEMBLY INSTALLATION



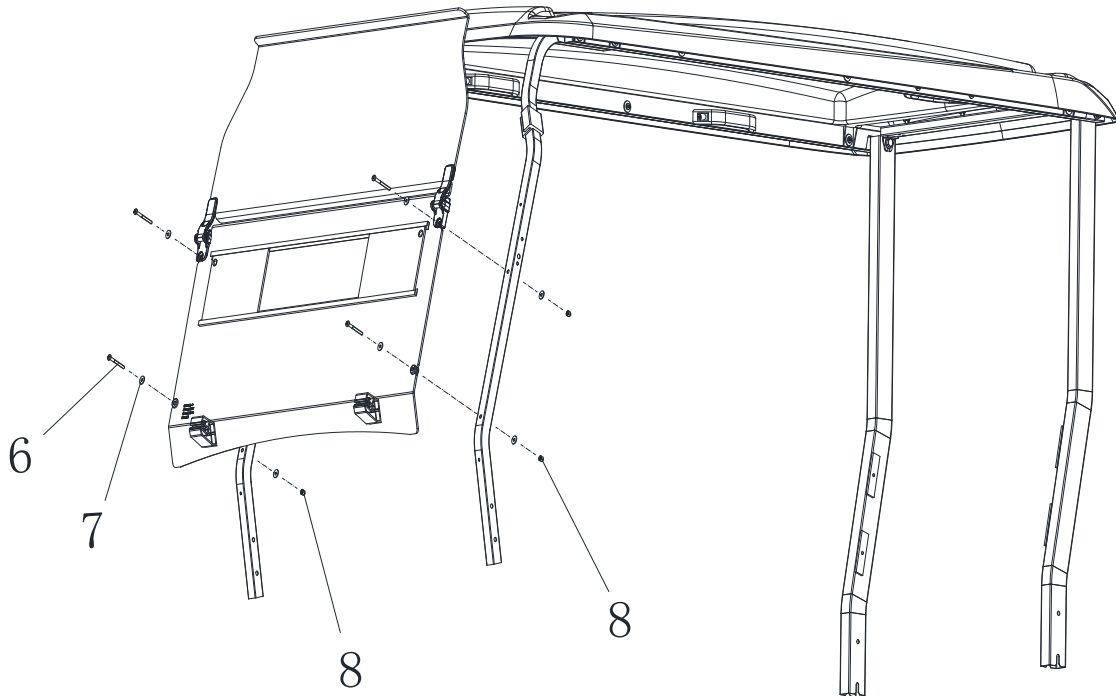
CANOPY ASSEMBLY INSTALLATION PARTS LIST

ITEM	PART NO.	PART DESCRIPTION	QTY.
1	2.03.1589	ROOF, FOUR SEATER	1
2	2.01.2228	ROOF MOUNTING FRAME, FOUR SEATER	2
3	1.01.0230	ASSEMBLED BOT, 8*30-M6	8
4	1.01.0026	EXTRA LARGE WASHER, M8	16
5	2.03.0070	HAND HOLDER FOR CANOPY TOP	3
6	1.01.0083	PAN HEAD SCREW, M6×45	6
7	1.01.0028	EXTRA LARGE WASHER, M6	6
8	1.01.0042	HENX HEAD ANTI-LOOSE NUT, M6	6
9	2.01.2081	FRONT ROOF STRUT RIGHT	1
10	2.01.2080	FRONT ROOF STRUT LEFT	1
11	2.01.2083	REAR ROOF STRUT RIGHT	1
12	2.01.2082	REAR ROOF STRUT LEFT	1
13	/	HEX HEAD BOLT, M8×100	4
14	1.01.0007	WASHER, M8	10
15	2.03.2288	NYLON WASHER	4
16	1.01.0027	HEX HEAD ANTI-LOOSE MUT, M8	4
17	1.01.0008	SNAP WASHER, M8	10

CANOPY ASSEMBLY INSTALLATION



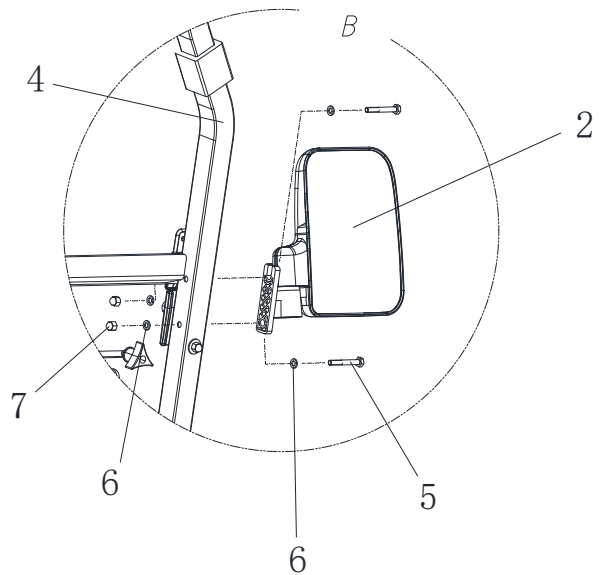
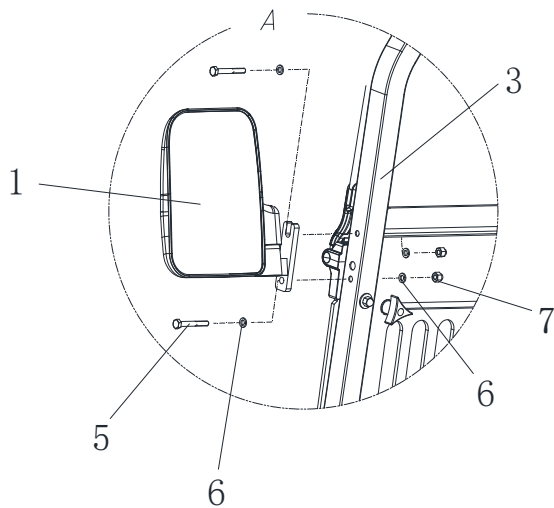
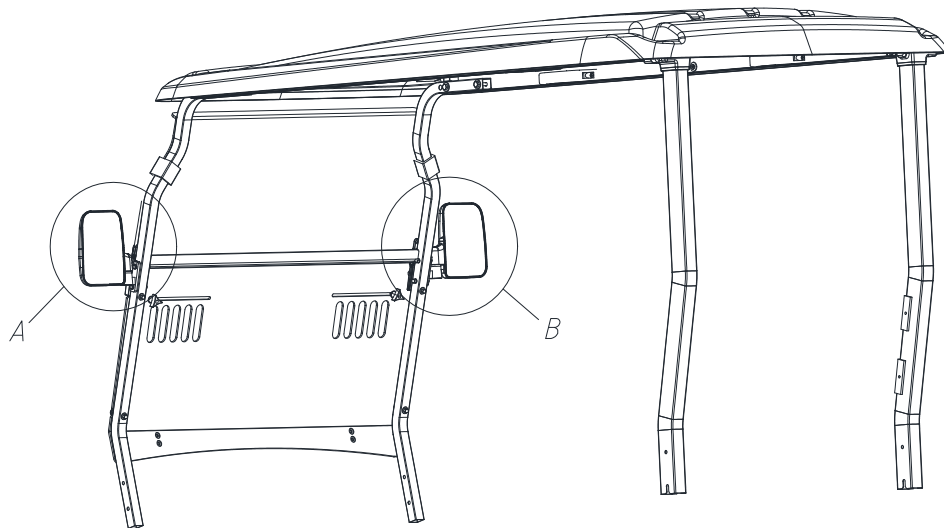
CANOPY ASSEMBLY INSTALLATION



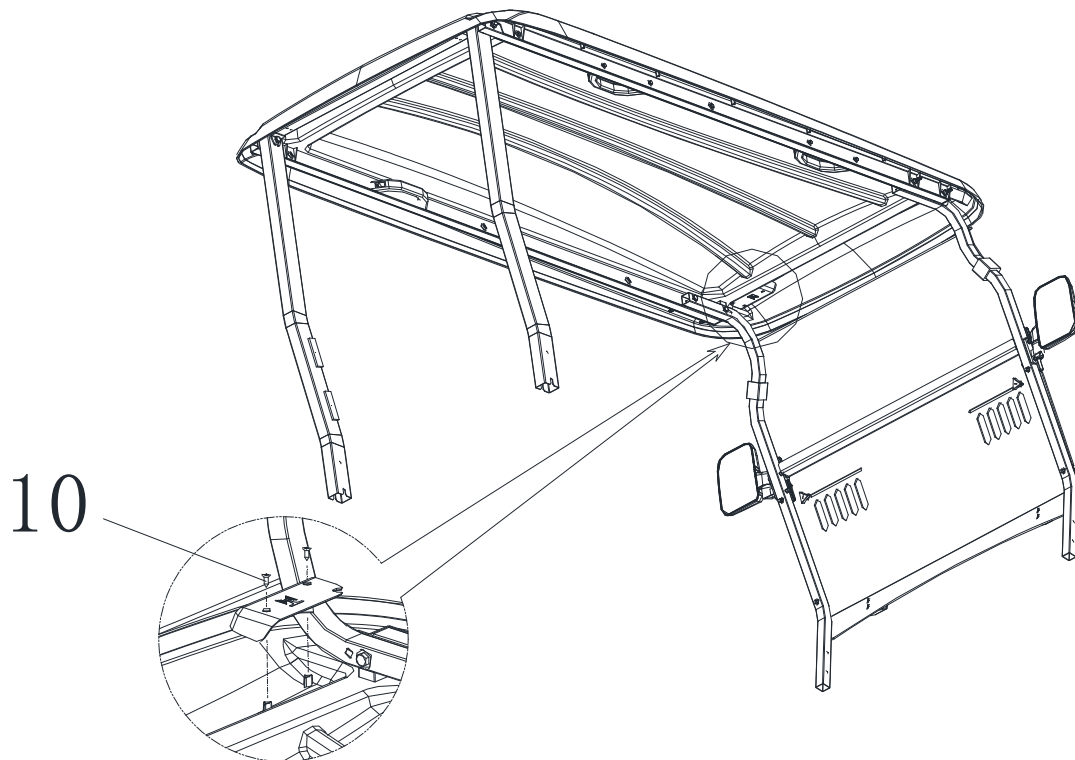
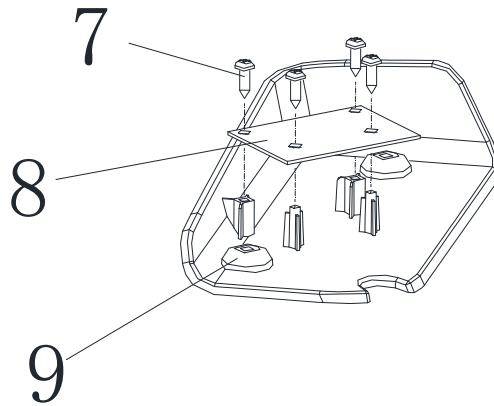
CANOPY ASSEMBLY INSTALLATION PARTS LIST

ITEM	PART NO.	PART DESCRIPTION	QTY.
1	2.05.0050-2	FOLDABLE ARCLIC WINDSHIELD, UPPER PART	1
2	2.03.2176	HINGE HOLDER FOR FOLDABLE ARCLIC WINDSHIELD, UPPER PART	2
3	2.03.1326	WINDSHIELD FIXING RUBBER RING	4
4	2.01.2142	WINDSHIELD FIXING RUBBER SLEEVE	4
5	2.05.0050-1	RUBBER PAD FOR FOLDABLE GLASS BOTTOM	2
6	1.01.0083	PAN HEAD SCREW, M6×45	4
7	1.01.0028	EXTRA LARGE WASHER, M6	8
8	1.01.0008	HEX HEAD ANTI-LOOSE MUT, M6	1

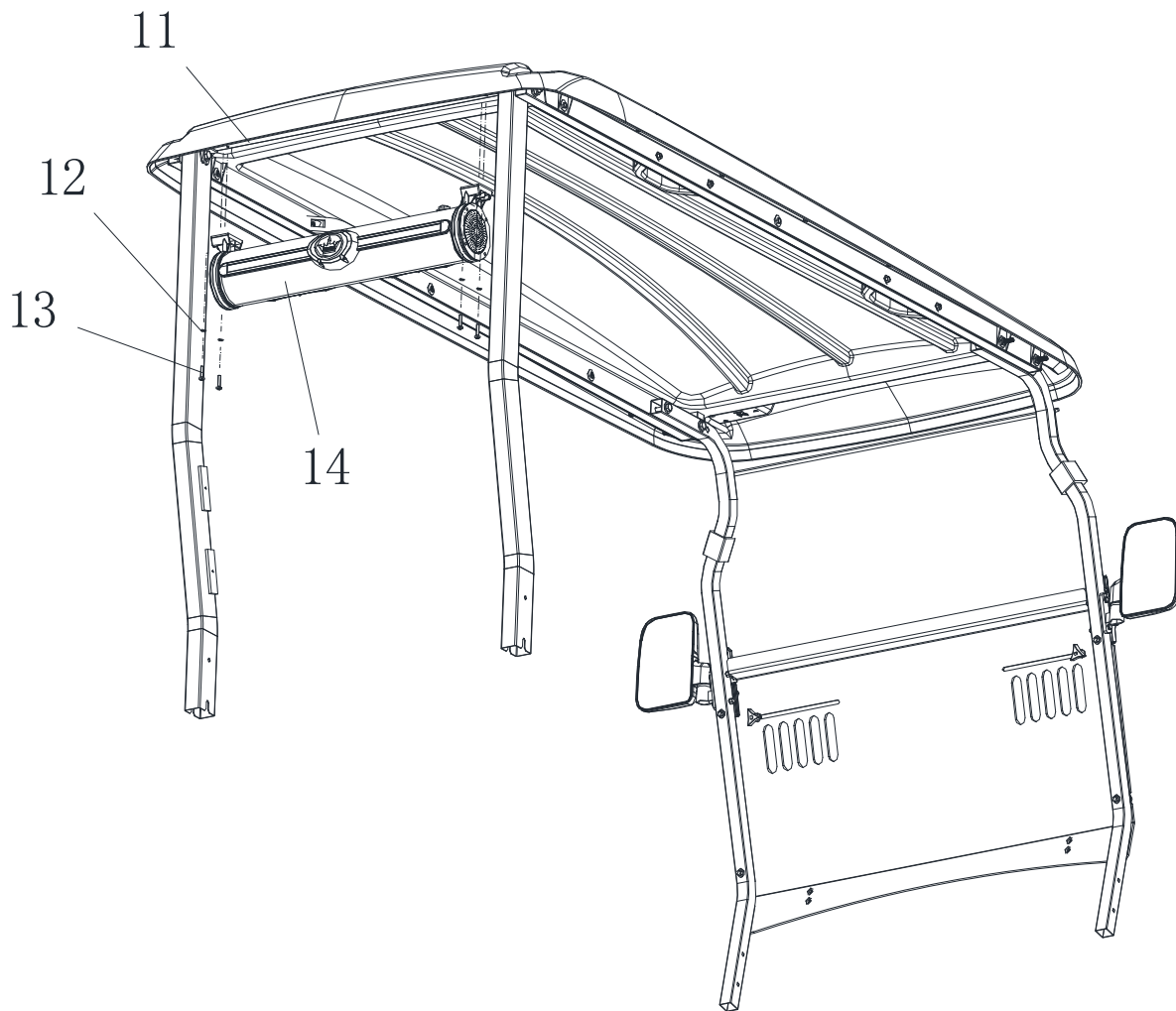
CANOPY ASSEMBLY INSTALLATION



CANOPY ASSEMBLY INSTALLATION



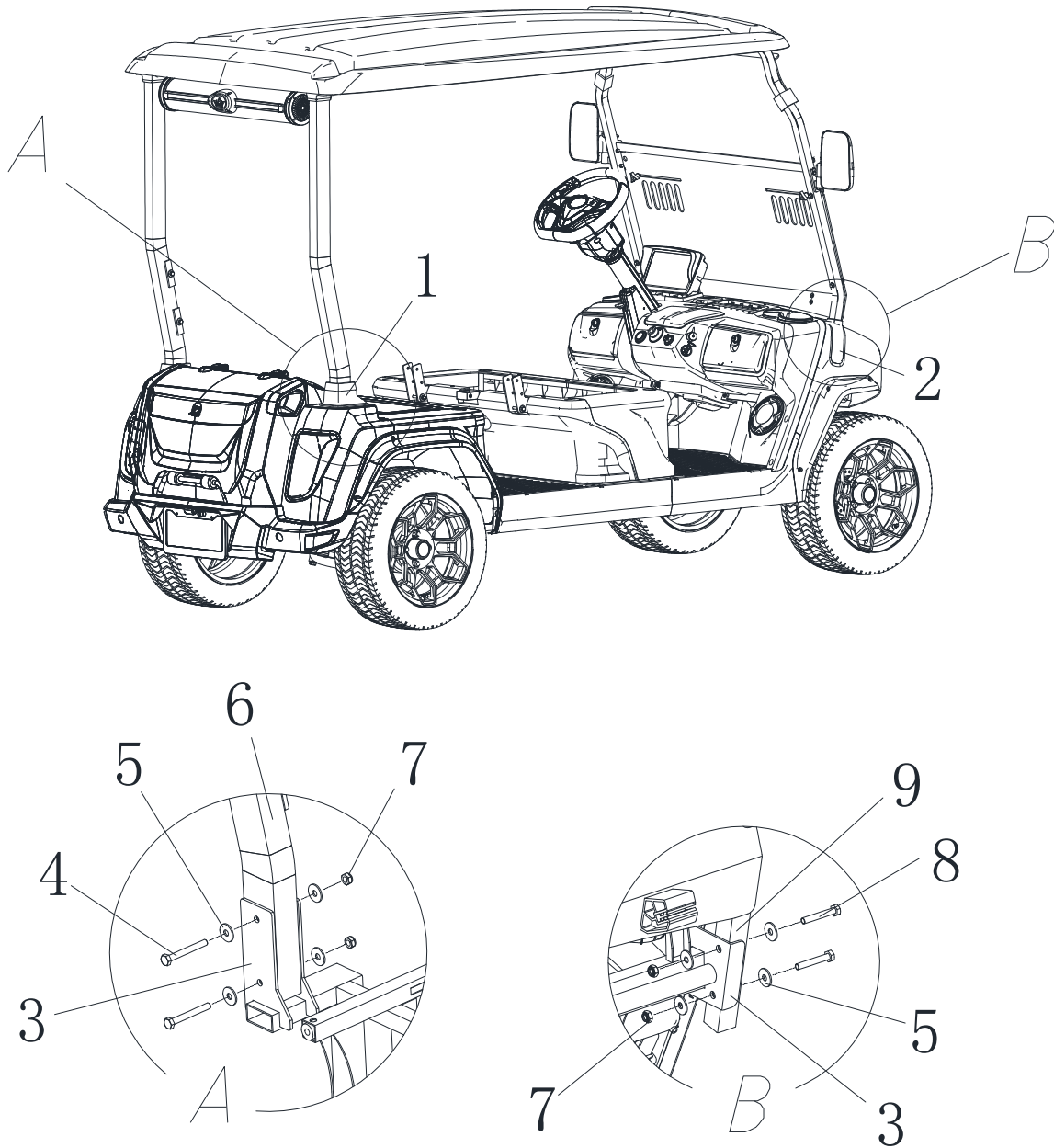
CANOPY ASSEMBLY INSTALLATION



CANOPY ASSEMBLY INSTALLATION PARTS LIST

ITEM	PART NO.	PART DESCRIPTION	QTY.
1	2.03.1539	REARVIEW MIRROR, DRIVER SIDE	1
2	2.03.1540	REARVIEW MIRROR, PASSENGER SIDE	1
3	2.01.2080	FRONT ROOF STRUT LEFT	1
4	2.01.2081	FRONT ROOF STRUT RIGHT	1
5	1.01.0083	PAN HEAD SCREW, M6×45	4
6	1.01.0041	WASHER, M6	8
7	1.01.0006	HEX HEAD NUT, M6	4
8	2.04.1366	ANTENNA	1
9	2.03.1590	DECORATIVE COVER FOR ANTENNA	1
10	1.02.0077	COUNTERSUNK SCREW, ST4.8×16	2
11	2.01.2339	MOUNTING BRACKET FOR SOUND BAR	1
12	1.01.0041	WASHER, M6	4
13	1.01.0029	PAN HEAD SCREW, M6×25	4
14	3.04.0162	SOUND BAR	1

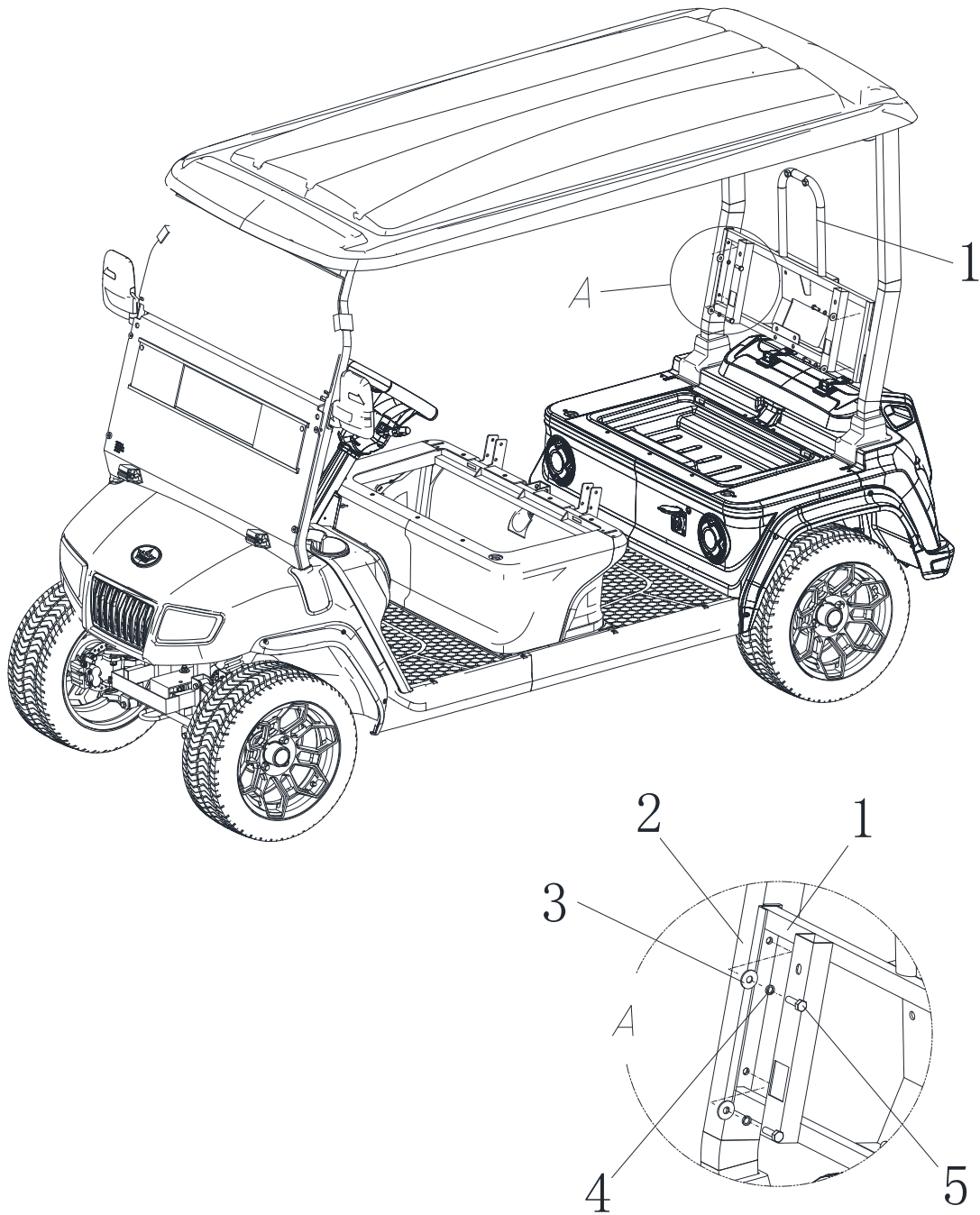
CANOPY ASSEMBLY INSTALLATION



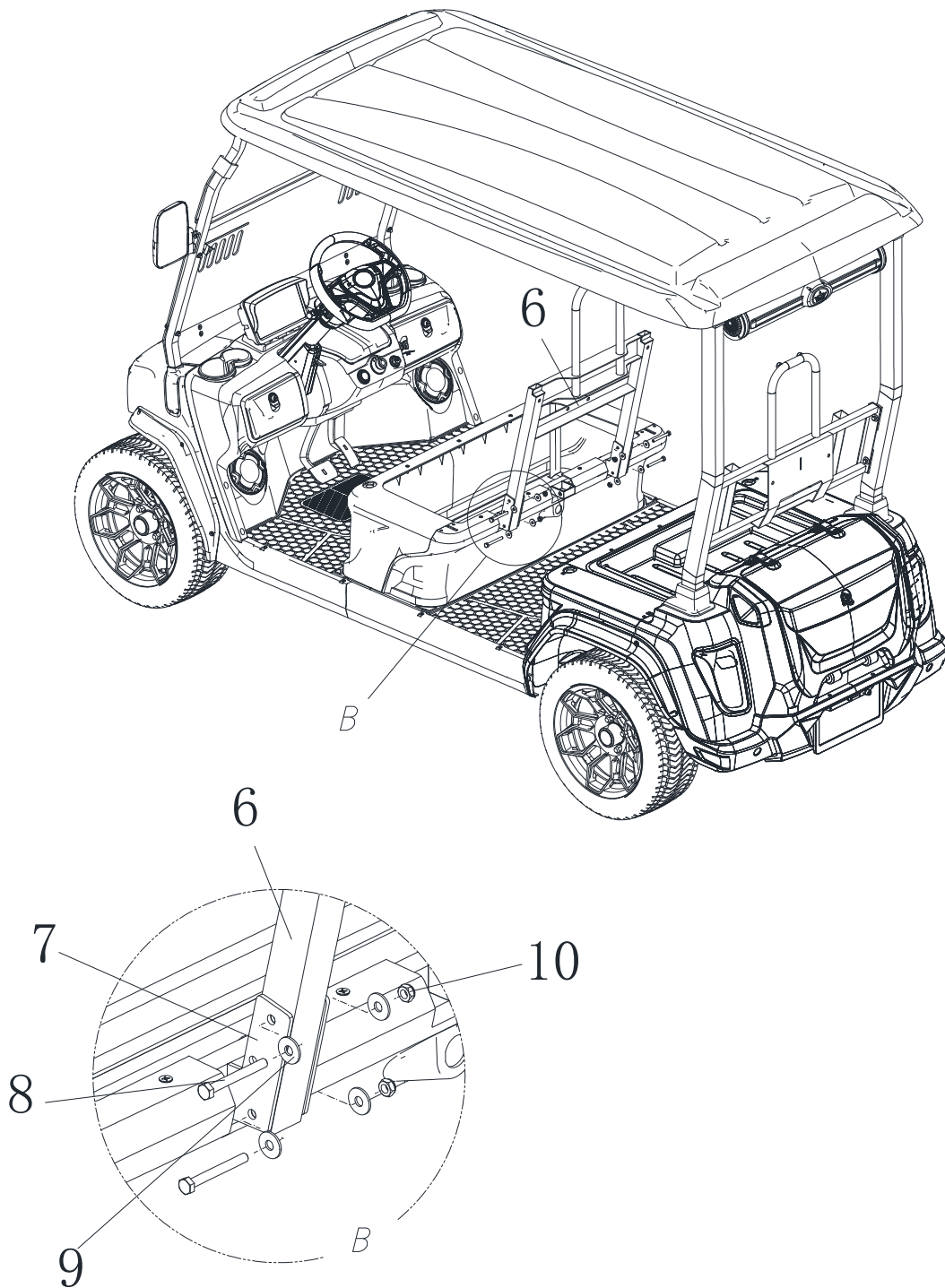
CANOPY ASSEMBLY INSTALLATION PARTS LIST

ITEM	PART NO.	PART DESCRIPTION	QTY.
1	2.03.1595	LOWER PROTECTIVE COVER FOR B STRUT	1
2	2.03.1593	LOWER PROTECTIVE COVER FOR A STRUT	1
3	2.01.2224	CHASSIS FRAME	1
4	1.03.0014	HEX HEAD BOLT, M8×45	4
5	1.01.0026	EXTRA LARGE WASHER, M8	8
6	2.01.2080	FRONT ROOF STRUT LEFT	1
7	1.01.0027	HEX HEAD ANTI-LOOSE NUT, M8	4
8	1.03.0094	HEX HEAD BOLT, M8×40	4
9	2.01.2083	REAR ROOF STRUT RIGHT	1

SEAT ASSEMBLY INSTALLATION



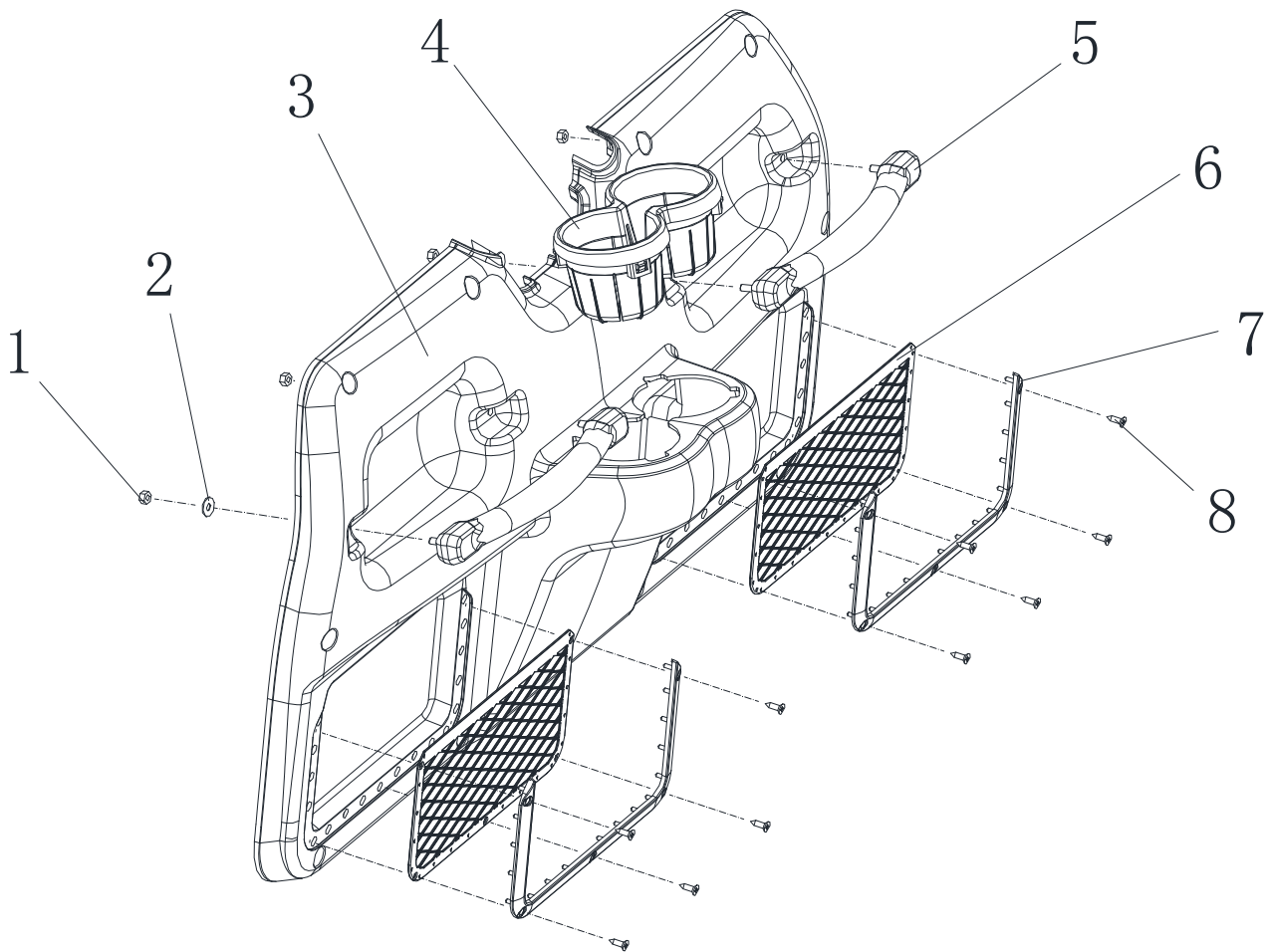
SEAT ASSEMBLY INSTALLATION



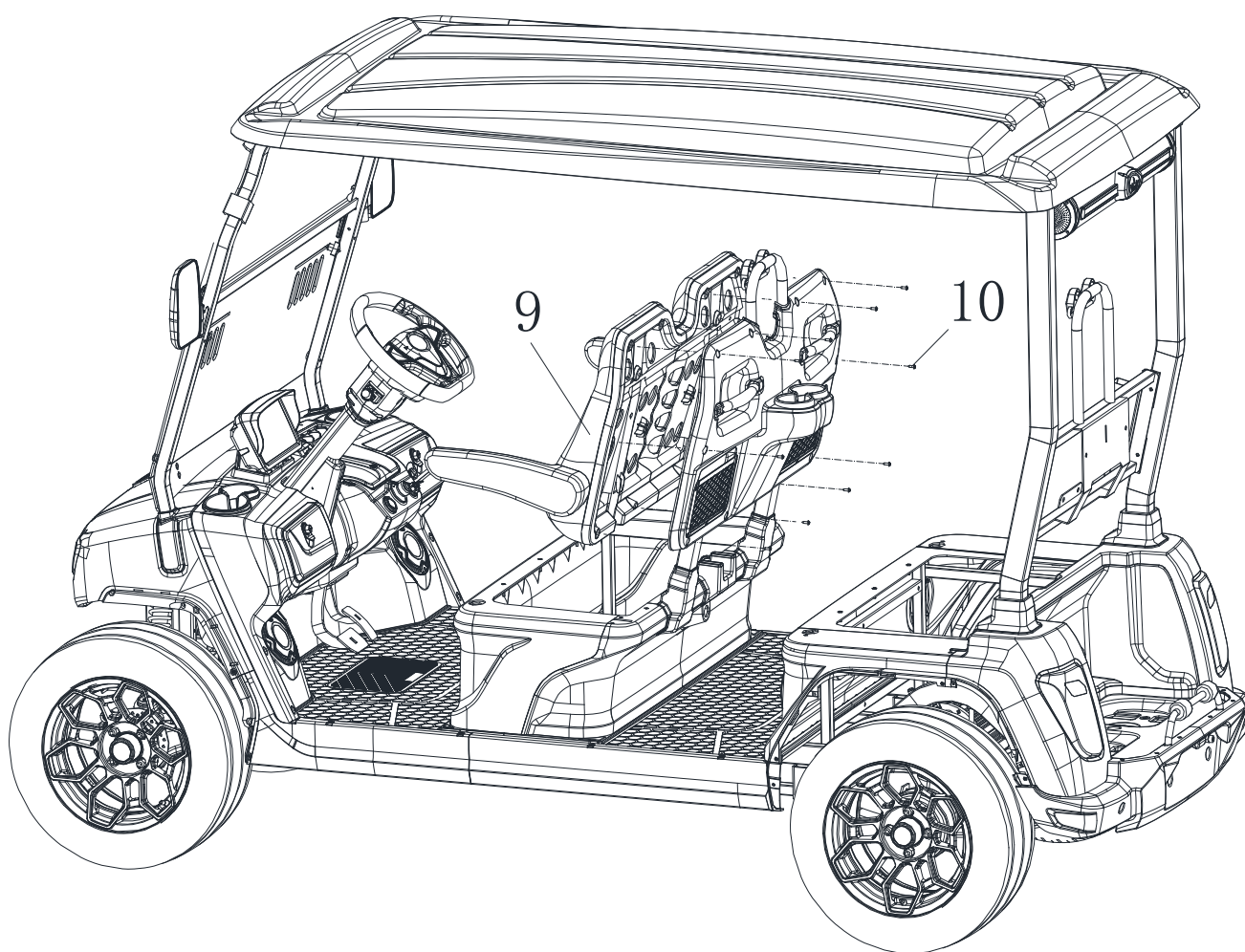
SEAT ASSEMBLY INSTALLATION PARTS LIST

ITEM	PART NO.	PART DESCRIPTION	QTY.
1	2.01.2097	REAR SUPPROT FRAME	1
2	2.01.2083	REAR ROOF STRUT RIGHT	1
3	1.01.0007	WASHER, M8	4
4	1.01.0008	SNAP WASHER, M8	4
5	1.03.0017	HEX HEAD BOLT, M8×30	4
6	2.01.2094	MEDIUM BARREL BACKREST SUPPORT	1
7	2.01.2071	MEDIUM BARREL FRAME	1
8	1.03.0019	HEX HEAD BOLT, M8×60	1
9	1.01.0026	EXTRA LARGE WASHER, M8	4
10	1.01.0027	HEX HEAD ANTI-LOOSE NUT, M8	4

SEAT ASSEMBLY INSTALLATION



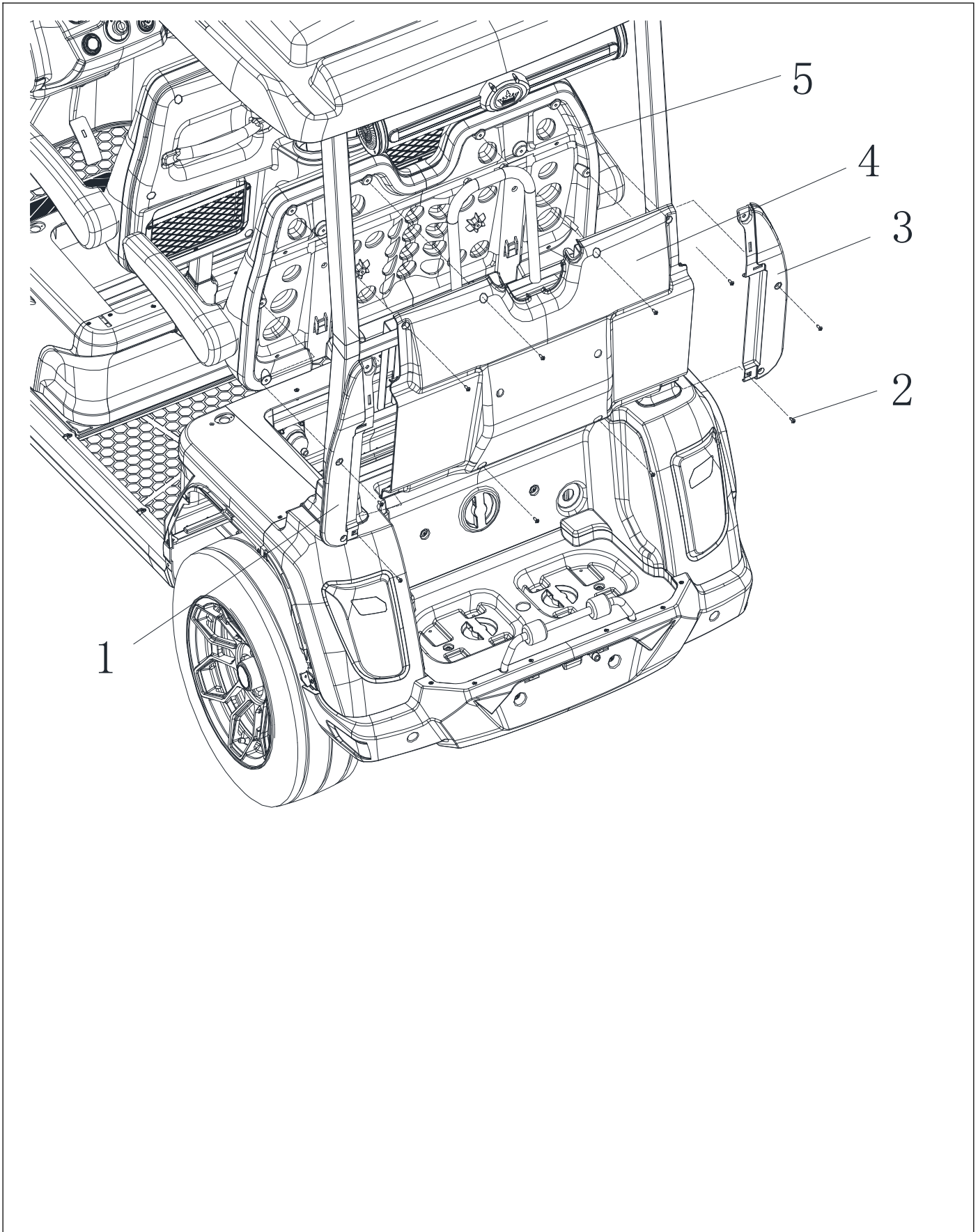
SEAT ASSEMBLY INSTALLATION



SEAT ASSEMBLY INSTALLATION PARTS LIST

ITEM	PART NO.	PART DESCRIPTION	QTY.
1	1.01.0030	HEX HEAD ANTI-LOOSE NUT, M6	4
2	1.01.0028	EXTRA LARGE WASHER, M6	4
3	2.03.1606	PLASTIC BASE COVER FOR FRONT SEAT BACK	1
4	2.03.1610	CUP HOLDER FOR FRONT BACKREST	1
5	2.01.1611	ARMREST FOR FRONT SEAT BACK	1
6	2.03.1613	NETTING	2
7	2.03.1612	MESH POCKET DECORATIVE STRIP	2
8	1.02.0077	COUNTERSUNK SCREW, ST4.8×16	10
9	2.03.1603	SEAT BACK ASSEMBLY	1
10	1.01.0270	PAN HEAD SCREW, ST4.8×25	10

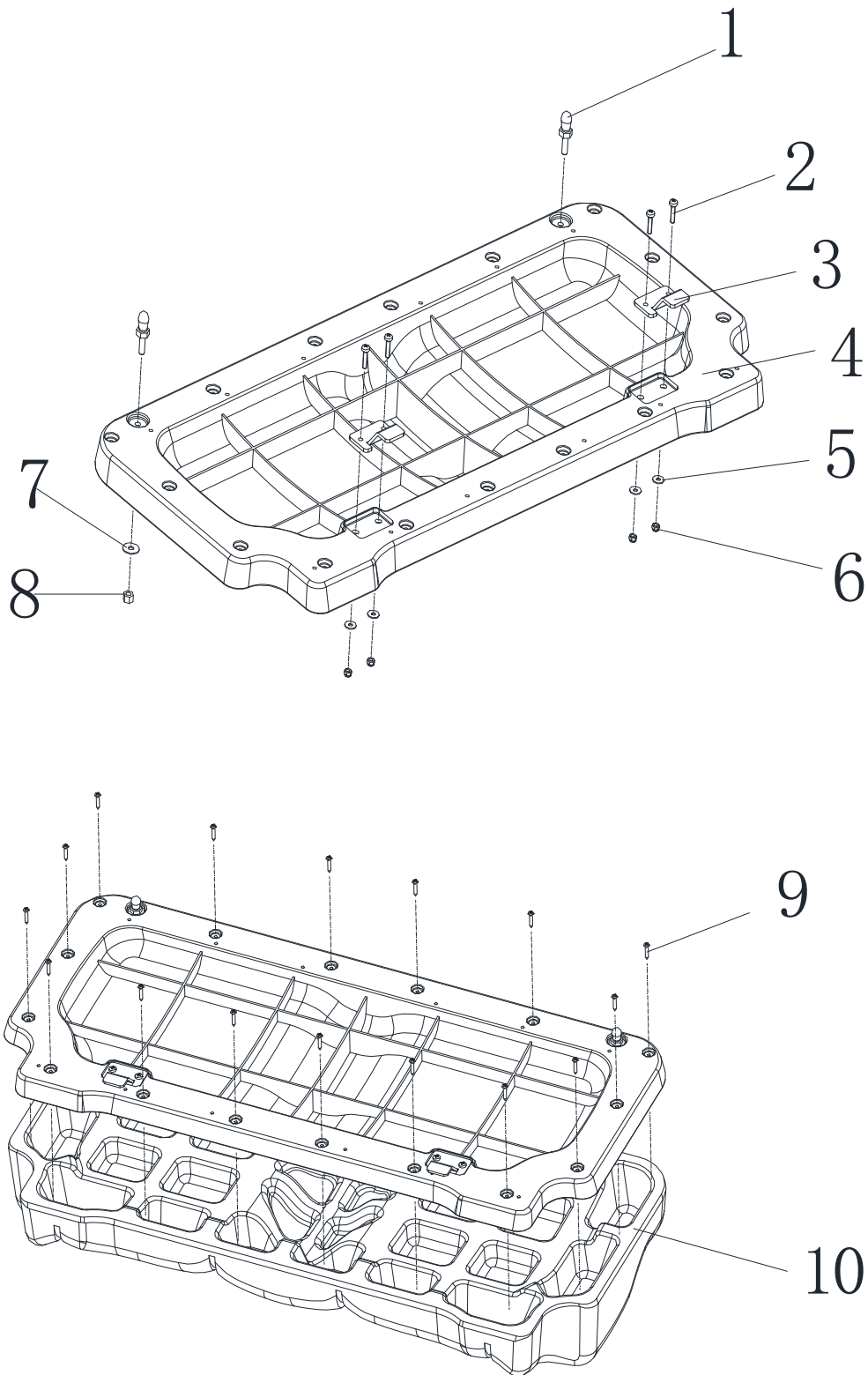
SEAT ASSEMBLY INSTALLATION



SEAT ASSEMBLY INSTALLATION PARTS LIST

ITEM	PART NO.	PART DESCRIPTION	QTY.
1	2.03.1607	PLASTIC BASE COVER FOR FRONT SEAT BACK, LEFT	1
2	1.01.0270	PAN HEAD SCREW, ST4.8×25	10
3	2.03.1609	PLASTIC BASE COVER FOR FRONT SEAT BACK, RIGHT	1
4	2.03.1608	PLASTIC BASE COVER FOR FRONT SEAT BACK, MEDIUM	1
5	2.03.1603	SEAT BACK ASSEMBLY	1

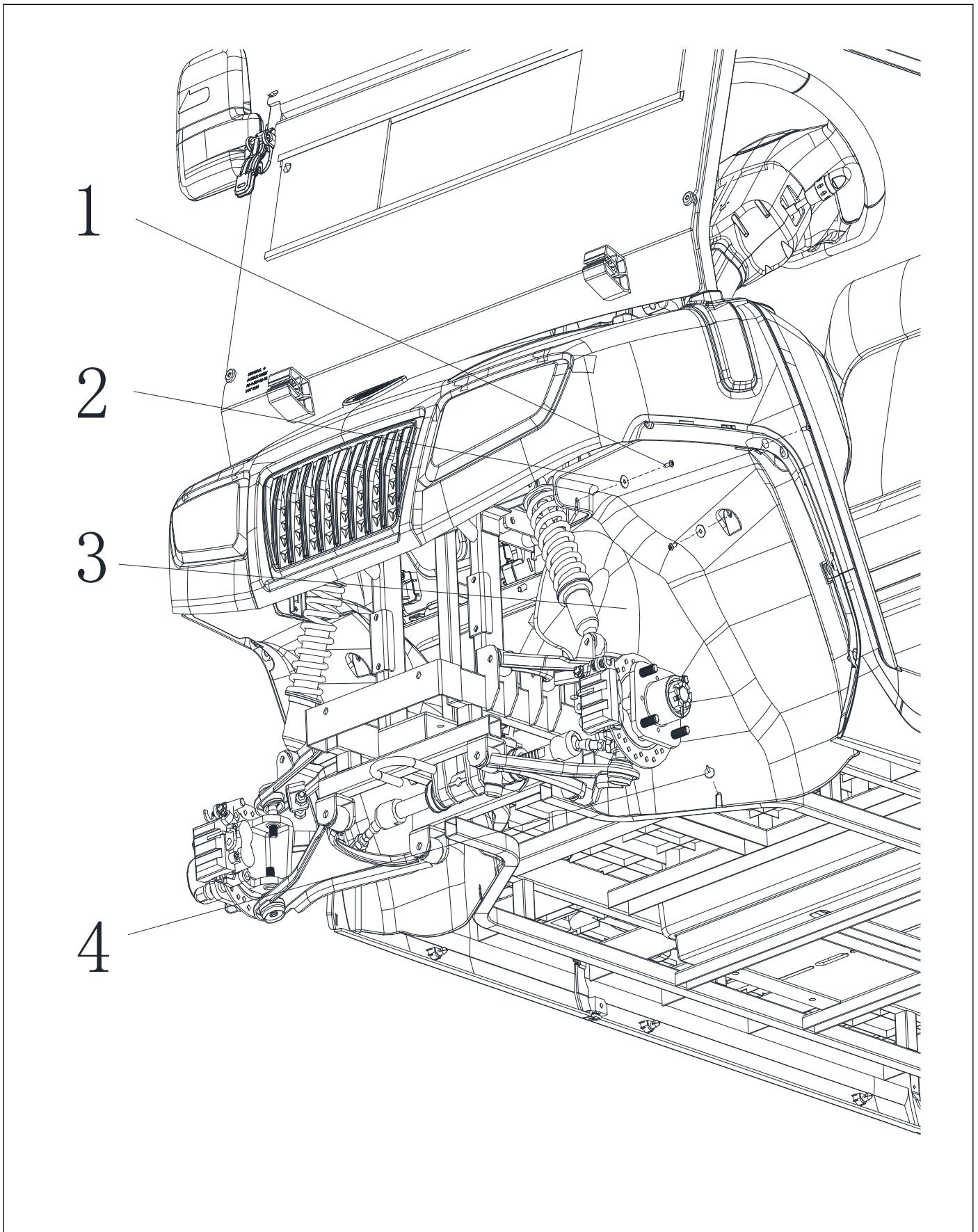
SEAT ASSEMBLY INSTALLATION



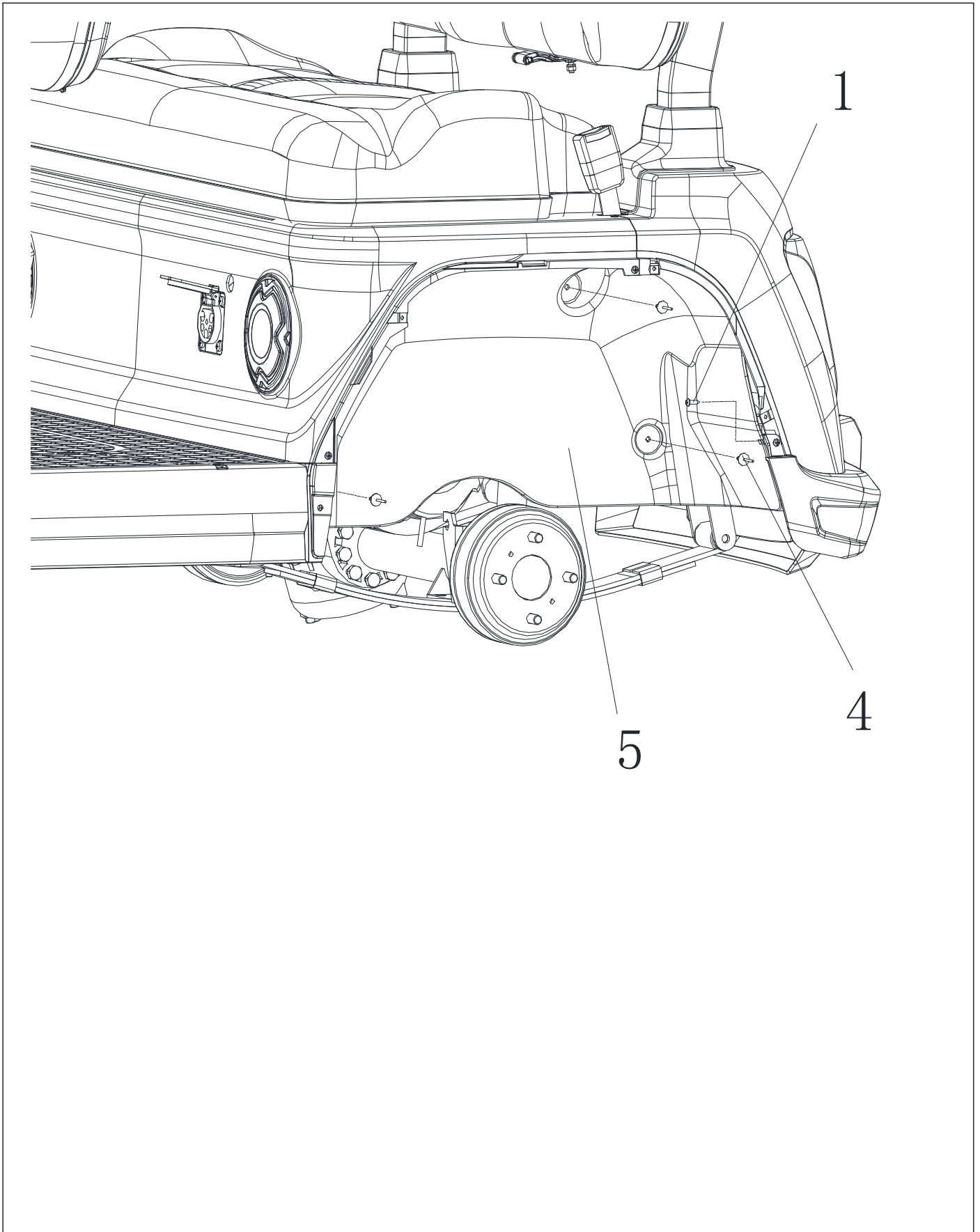
SEAT ASSEMBLY INSTALLATION PARTS LIST

ITEM	PART NO.	PART DESCRIPTION	QTY.
1	2.03.2335	BALL FOR SEAT CUSHION	2
2		PAN HEAD SCREW, M6×20	4
3	2.01.2214	HINGE FOR SEAT	2
4	2.03.1601	PLASTIC BASE COVER FOR SEAT	1
5	1.01.0041	WASHER, M6	4
6	1.01.0030	HEX HEAD ANTI-LOOSE NUT, M6	4
7		PAN HEAD SCREW, ST2.9×9.5	4
8	1.01.0028	EXTRA LARGE WASHER, M6	2
9	1.01.0006	HEX HEAD NUT, M6	2
10	1.02.0077	COUNTERSUNK SCREW, ST4.8×16	2

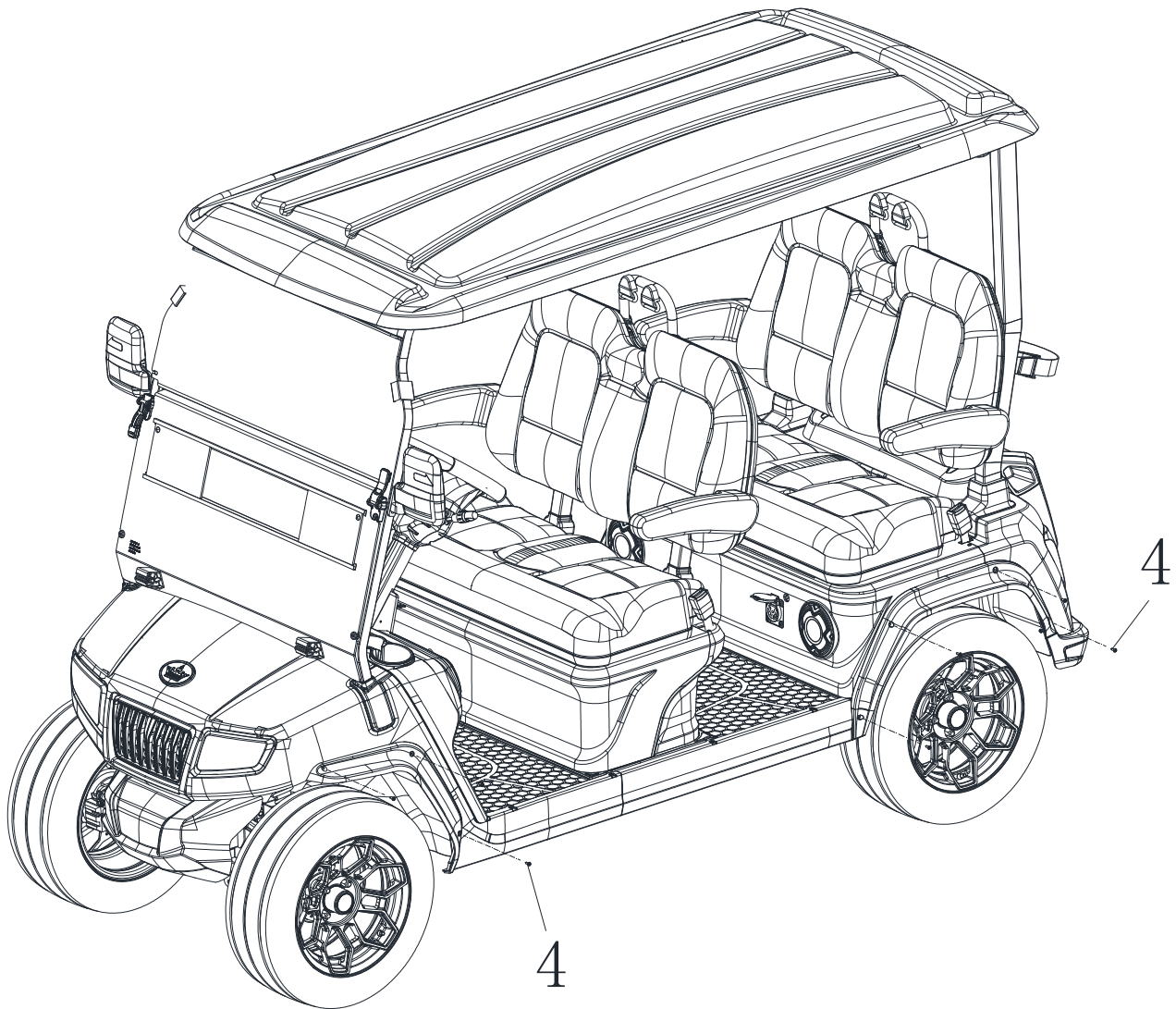
WHEEL INNER PANEL INSTALLATION



WHEEL INNER PANEL INSTALLATION



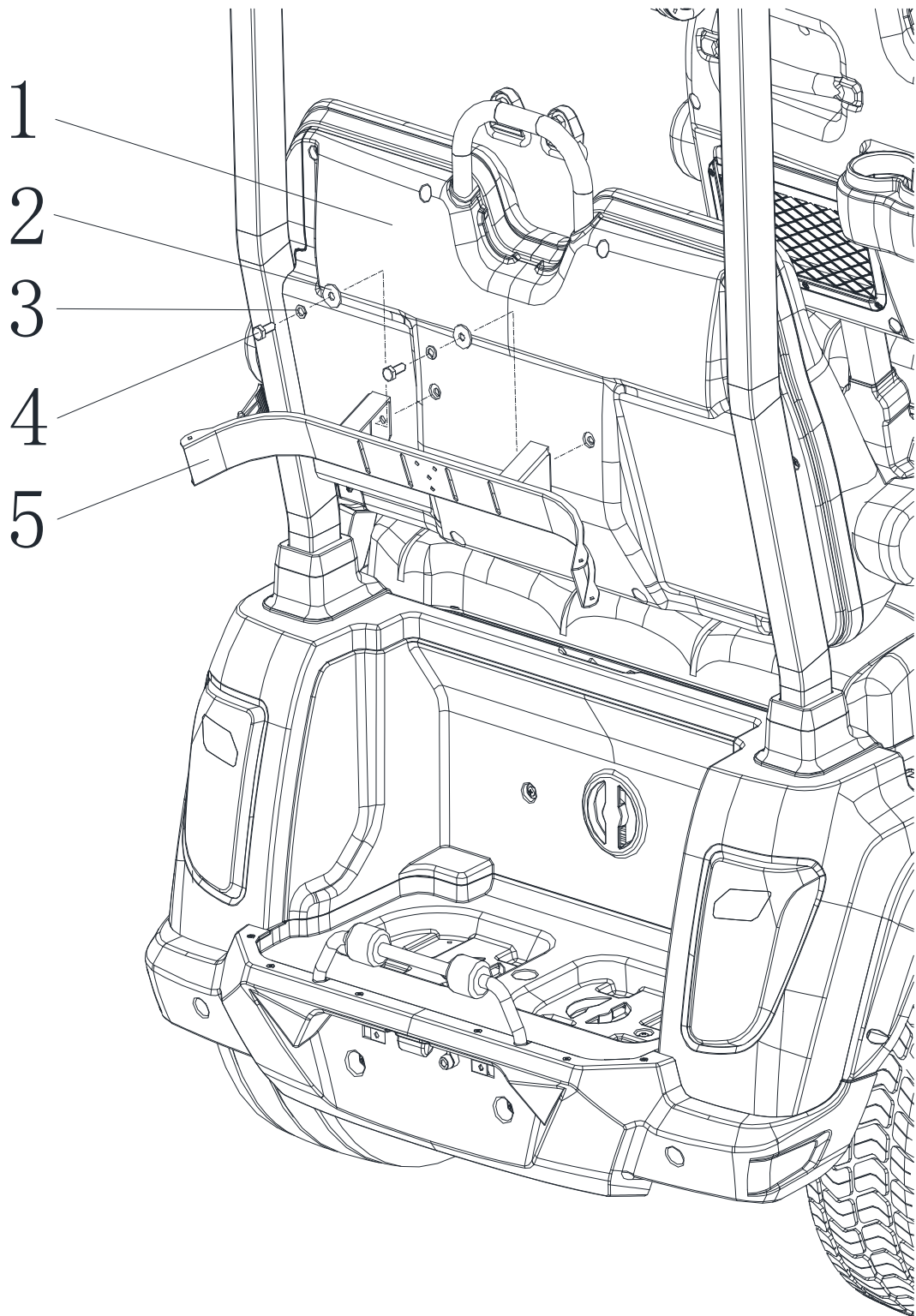
SEAT ASSEMBLY INSTALLATION



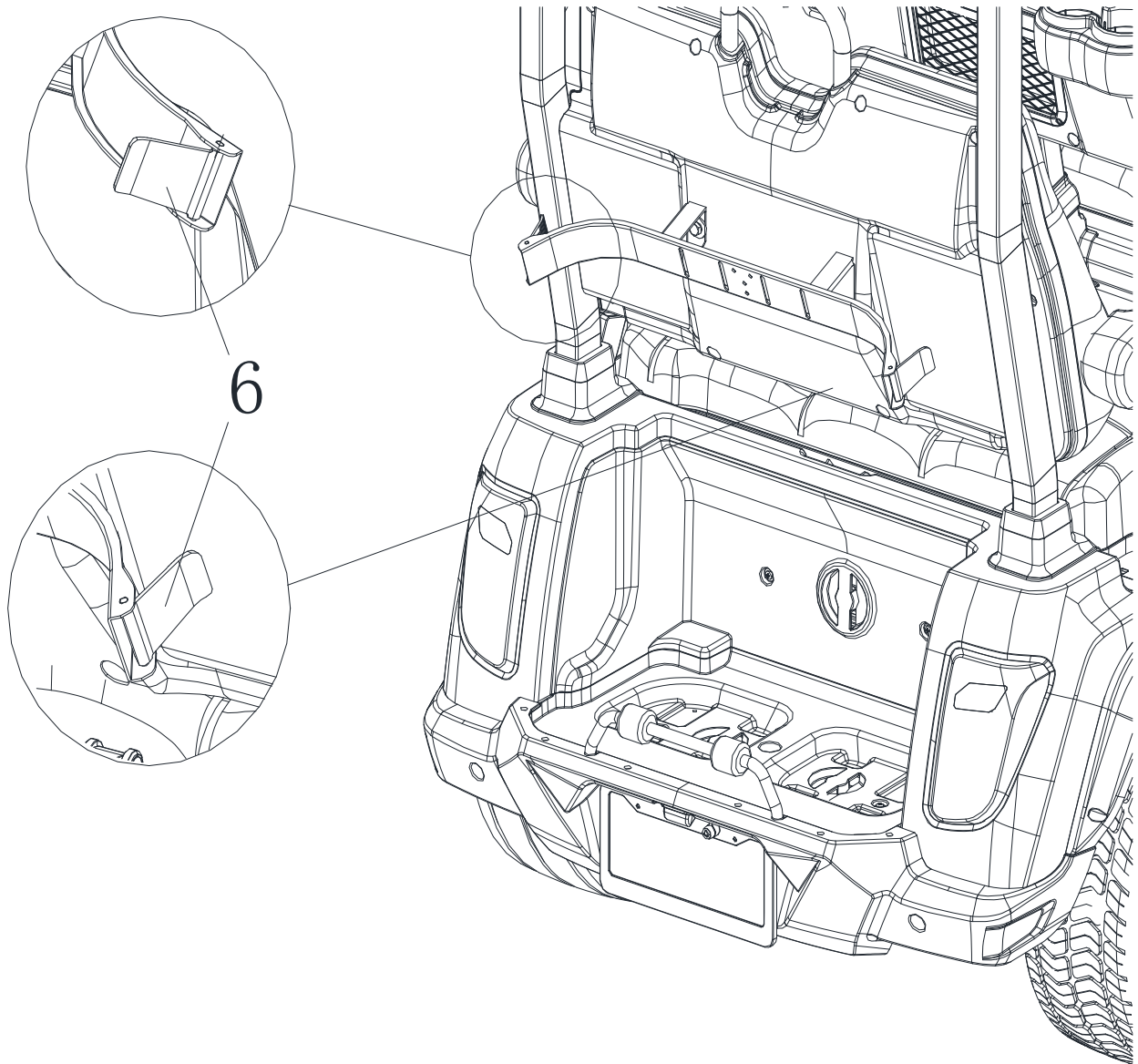
WHELL INNER PANEL INSTALLATION PARTS LIST

ITEM	PART NO.	PART DESCRIPTION	QTY.
1	1.02.0077	PAN HEAD SCREW, ST4.8×16	10
2	1.01.0028	EXTRA LARGE WASHER, M6	8
3	2.03.1546	FRONT WHEEL INNER PANEL, DRIVER SIDE	1
4	1.08.0010	RIVET, 4.8×18	8
5	2.03.1586	REAR WHEEL INNER PANEL , DRIVER SIDE	1

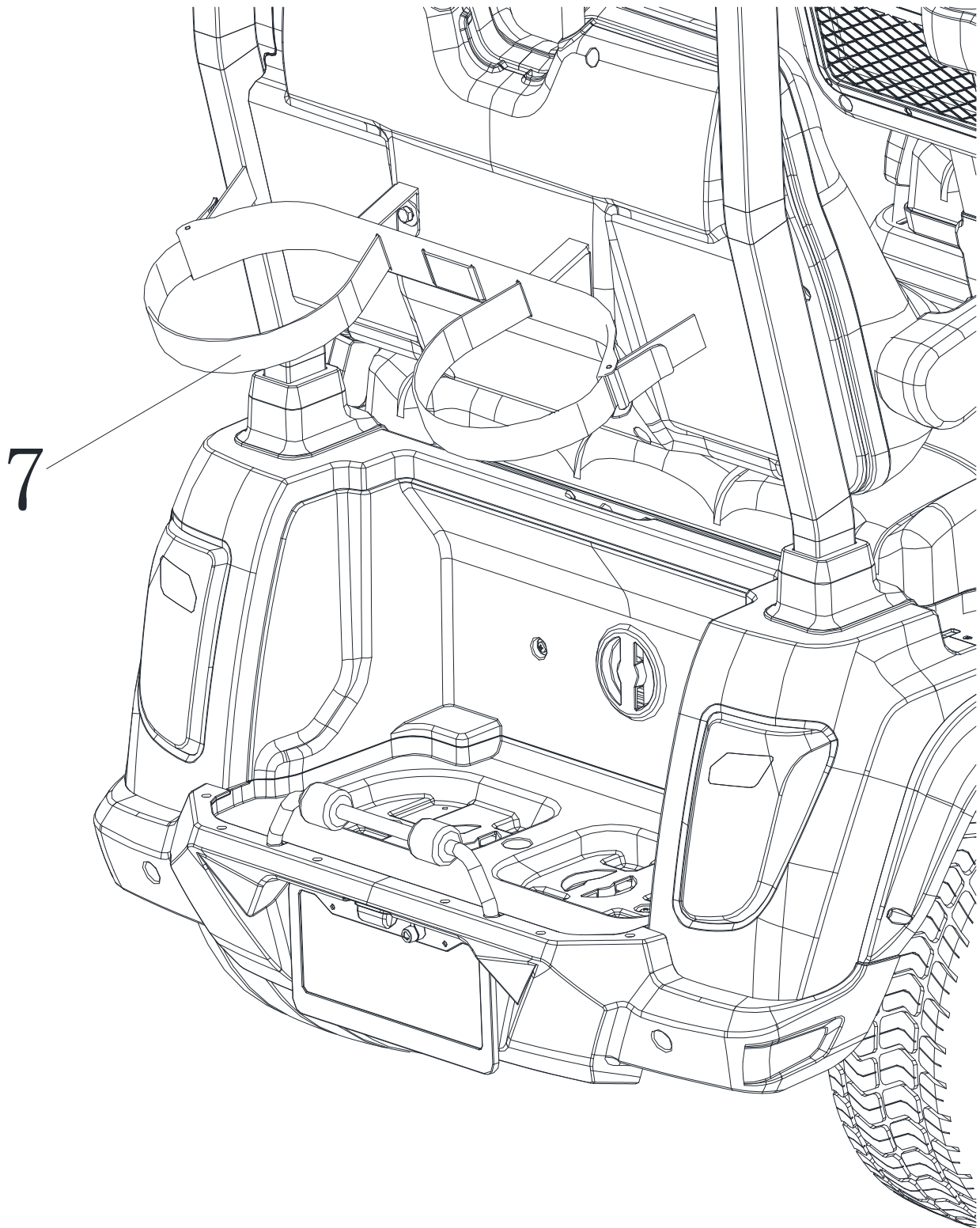
GOLF BAG HOLDER INSTALLATION



GOLF BAG HOLDER INSTALLATION



GOLF BAG HOLDER INSTALLATION



GOLF BAG HOLDER INSTALLATION

ITEM	PART NO.	PART DESCRIPTION	QTY.
1	2.03.1608	PLASTIC BASE COVER FOR FRONT SEAT BACK, MEDIUM	1
2	1.03.0007	EXTRA LARGE WASHER, M10	2
3	1.01.0060	SNAP WASHER, M10	2
4	1.03.0002	HEX HEAD BOLT, M10×25	2
5	2.01.2245	GOLF BAG HOLDER WITHOUT BELT	1
6	2.03.0060	GOLF BAG BELT HOLD DOWN CLAMPS	2
7	2.03.0059	GOLF BAG SUPPORT BELT	1