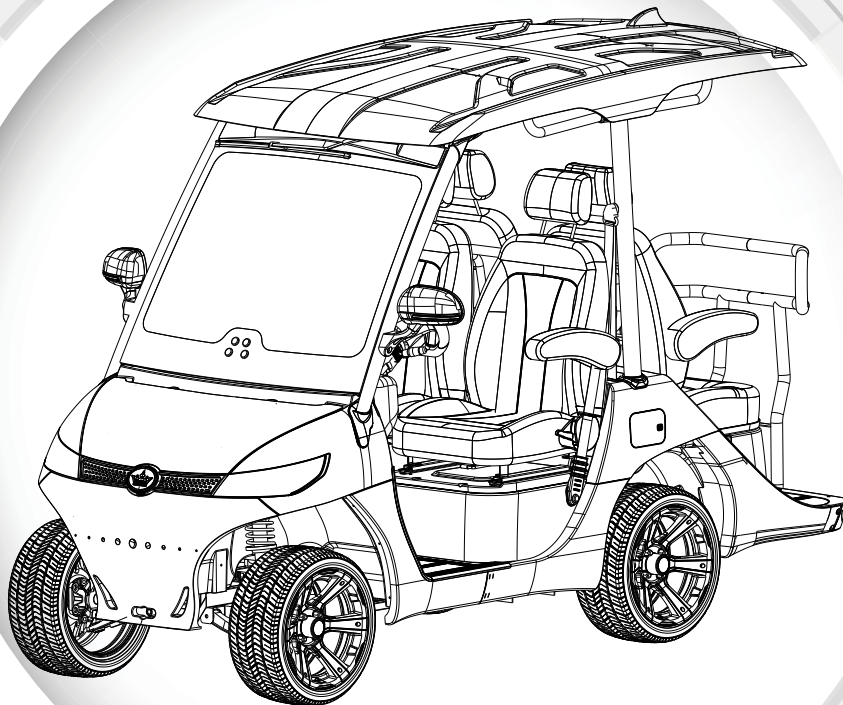




Explosive View Parts Manual Of **D3 MODELS**

Zero Emissions. Zero Hassles. Zero Compromises.

V1.0



EVOLUTION ELECTRIC VEHICLES INC

California Headquarters: 2620 Palisades Drive, Corona CA 92882

Texas Operations: 4053 Grand Lakes Way, Grand Prairie, TX 75050

Florida Operations: 7600 Narcoossee Rd, Orlando, FL 32822

Email : info@evolutionelectricvehicle.com

www.evolutionelectricvehicle.com



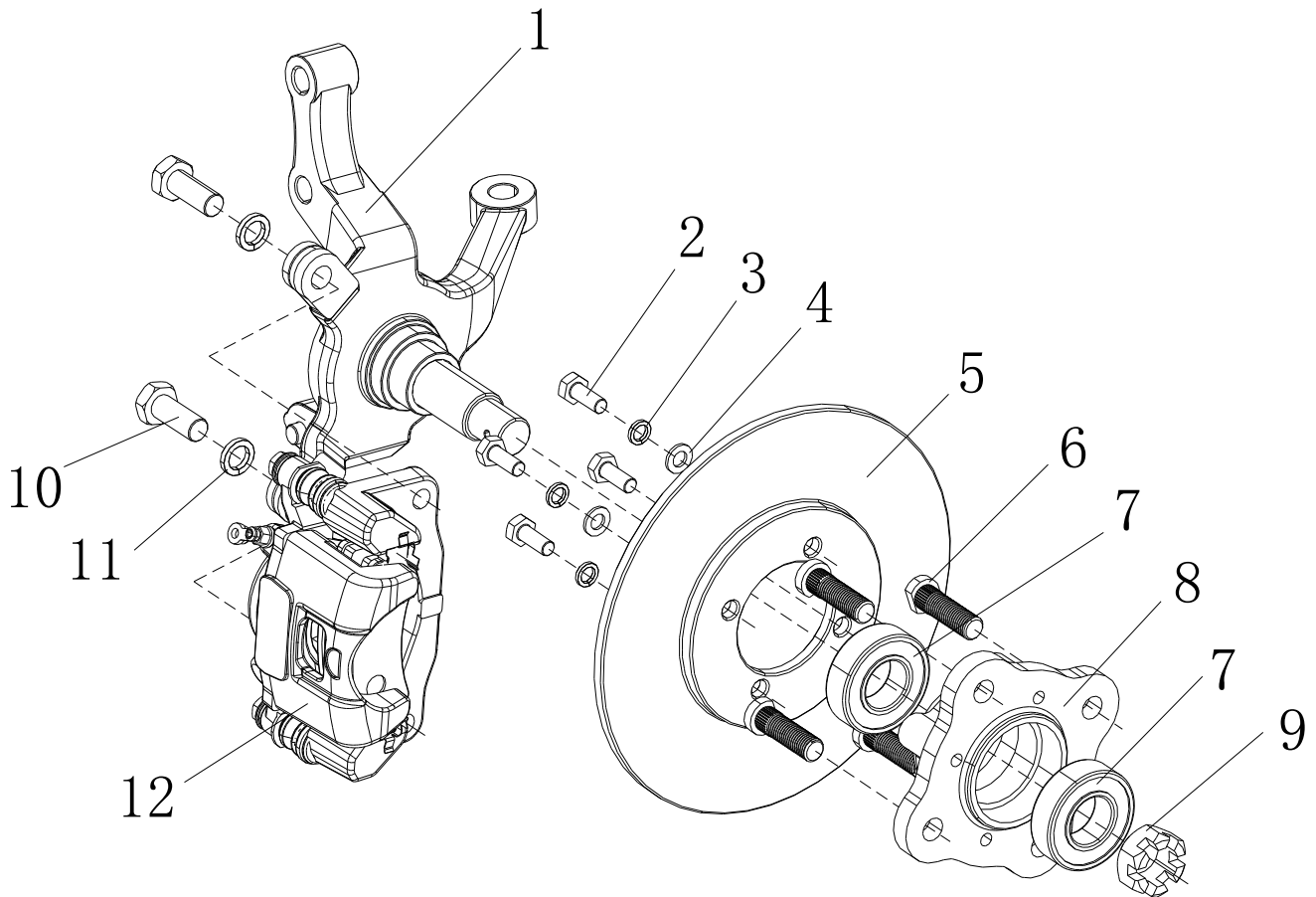
Explosive View			
Reference:	EV20221115-01		
Version:	01.0	Category:	EV

MODEL(S)	GOAL	
Evolution D3 Models	Quality improvement	
	Performance	√
	Upgrade	√
PARTS INFO	Down time	
	Maintenance	√
	Work around	√
	<u>Others:</u>	

VERSION CONTROL:			
Author:	Version:	Date:	Change/update:
Chloe	01.0	2022/11/15	

TITLE
Evolution D3 Explosive View Parts Manual

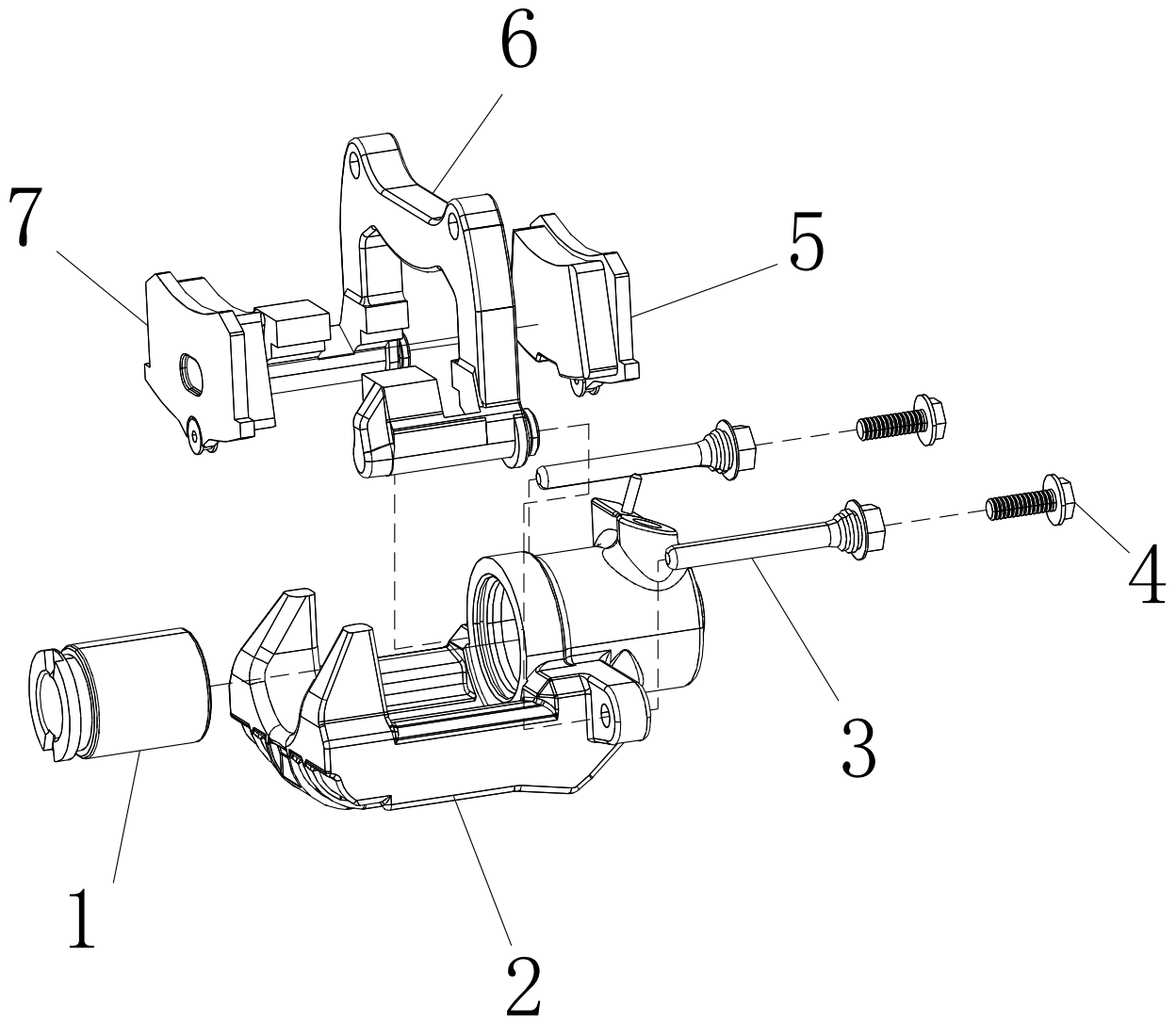
FRONT HUB & SPINDLE ASSEMBLY INSTALLATION



FRONT HUB & SPINDLE ASSEMBLY INSTALLATION PARTS LIST

ITEM	PART NO.	PART DESCRIPTION	QTY.
1	2.01.1493	SPINDLE	1
2	1.03.0027	HEX HEAE BOLT, M8×20	4
3	1.01.0007	WASHER, M8	4
4	1.01.0008	SNAP WASHER, M8	4
5	2.01.0286	BRAKE ROTOR DISC FRONT HYDRAULIC BRAKE	1
6	1.08.0002	STUD FOR FRONT HUB, M12×40	4
7	1.08.0059	FRONT HUB BEARING SET, 6205	2
8	2.01.1495	FRONT HUB STEEL	1
9	1.08.0026	CASTLE NUT, M24×1.5	1
10	1.03.0087	HEX HEAD BOLT, M12×30	2
11	1.01.0157	WASHER, M12	2
12	2.01.0285	FRONT HYDRAULIC BRAKE CALIPER	1

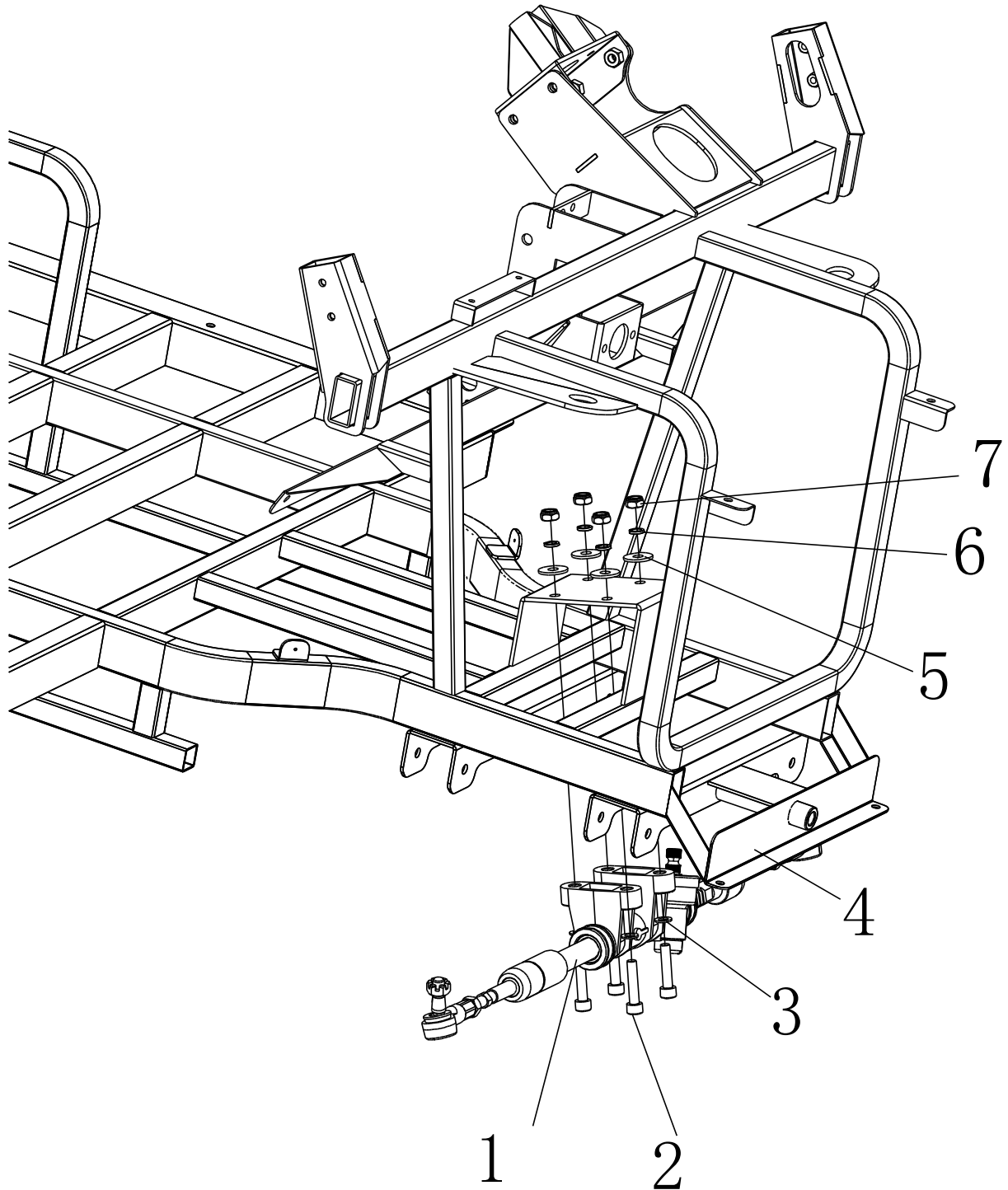
FRONT BRAKE CALIPER ASSEMBLY



FRONT BRAKE CALIPER ASSEMBLY PARTS LIST

ITEM	PART NO.	PART DESCRIPTION	QTY.
1	/	HYDRAULIC PUSH ROD	1
2	/	CALIPER MAIN BODY	1
3	/	HYDRAULIC PUSH ROD	2
4	/	HEX HEAD BOLT	2
5	2.01.0287	SEPERATED BRAKE SHOES, FOR HYDRAULIC FRONT BRAKE, ONE SET TWO PCS, DRIVER SIDE	1
6	/	CALIPER MAIN BODY	1
7	2.01.0288	SEPERATED BRAKE SHOES, FOR HYDRAULIC FRONT BRAKE, ONE SET TWO PCS, PASSENGER SIDE	1

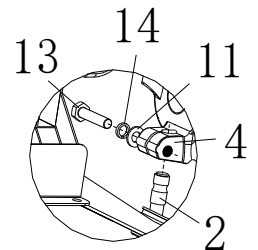
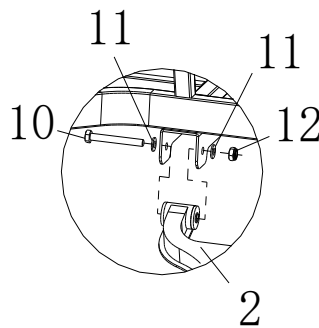
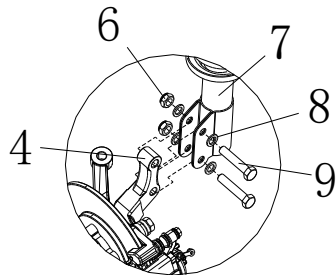
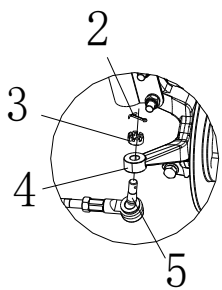
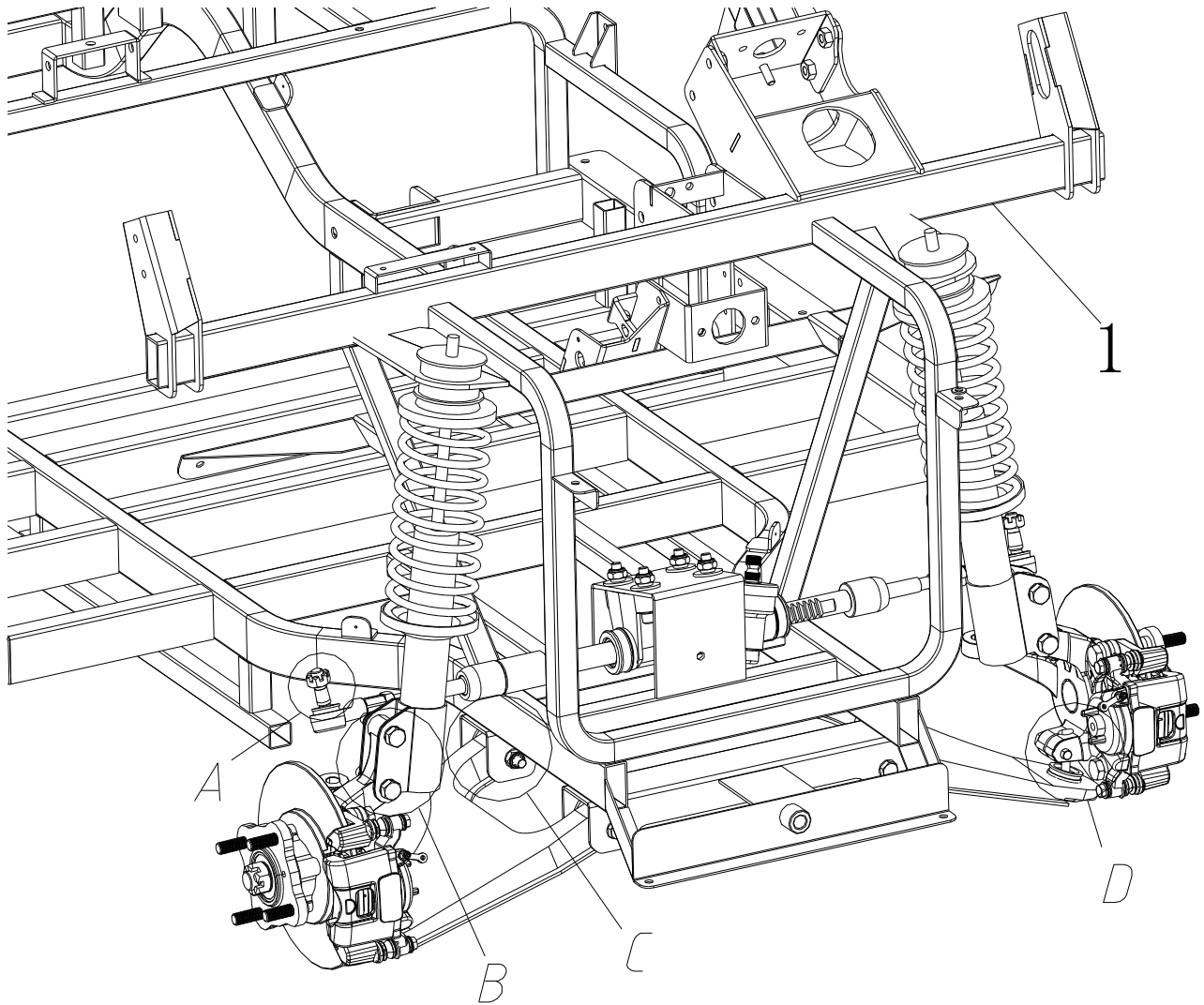
FRONT SUSPENSION ASSEMBLY



FRONT SUSPENSION ASSEMBLY PARTS LIST

ITEM	PART NO.	PART DESCRIPTION	QTY.
1	2.01.0013	STEERING GEAR BOX	1
2	1.03.0026	HEXAGON SOCKET HEAE CAP SCREWS, M10×45	4
3	1.03.0006	WASHER, M10	4
4	2.01.1888	CHASSIS	1
5	1.03.0007	EXTRA LARGE WASHER, M10	4
6	1.01.0060	SNAP WASHER, M10	4
7	1.01.0027	HEX HEAD ANTI-LOOSE NUT, M10	4

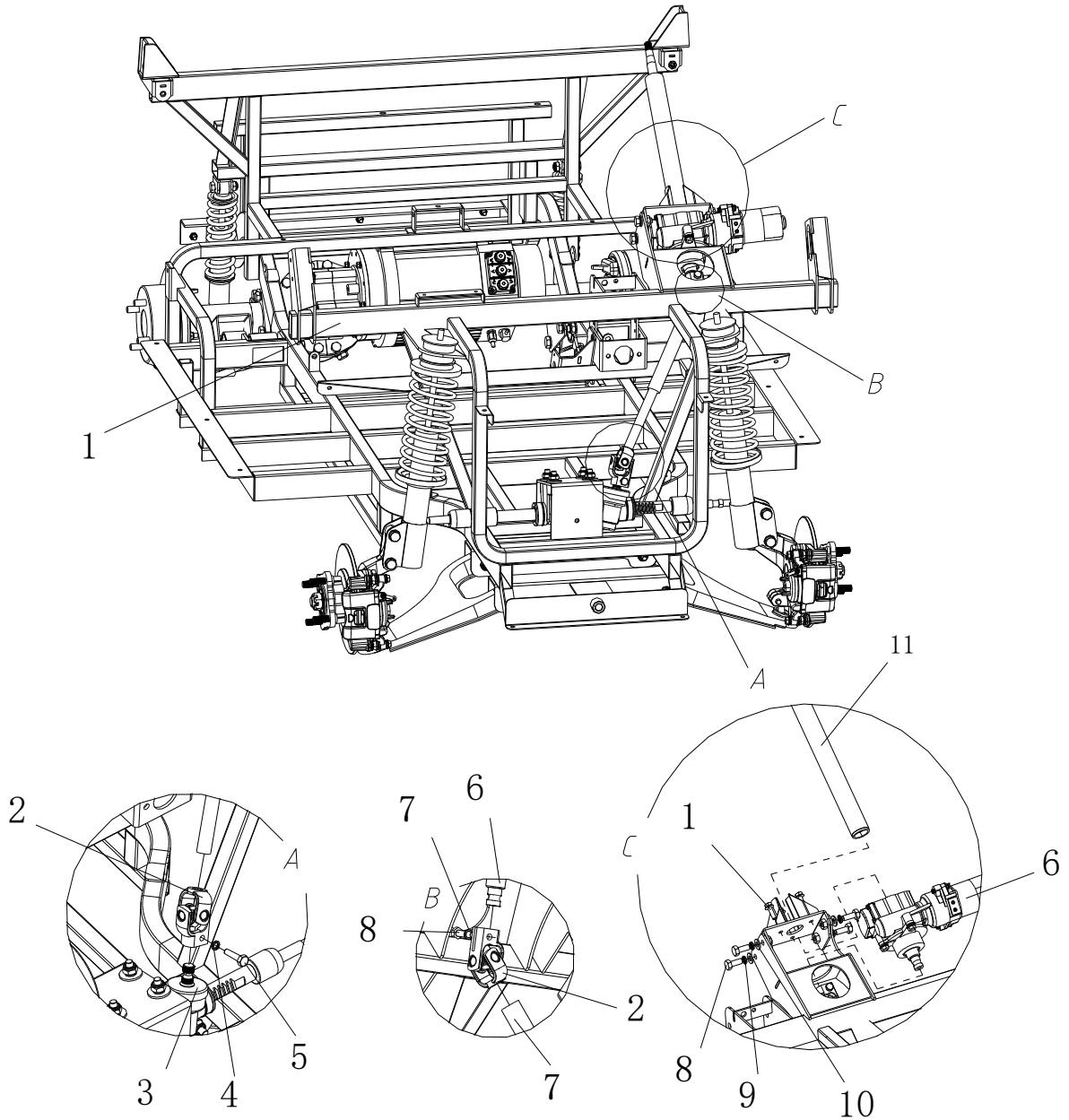
FRONT SUSPENSION ASSEMBLY



FRONT SUSPENSION ASSEMBLY PARTS LIST

ITEM	PART NO.	PART DESCRIPTION	QTY.
1	2.01.1888	CHASSIS	1
2	1.08.0001	COTTER, D=2.5 L=25	2
3	1.03.0001	HEX SLOTTED NUT, M12	2
4	2.01.1928	FRONT HUB & DISC BRAKE ASSEMBLY	2
5	2.01.1776	STEERING GEAR BOX ASSEMBLY	1
6	1.03.0035	HEX HEAD ANTI-LOOSE NUT, M12	4
7	2.01.1397	FRONT SHOCK ABSORBER, L = 410MM	2
8	1.01.0157	WASHER, M12	8
9	1.03.0091	HEX HEAD BOLT, M12×60	4
10	1.03.0032	HEX HEAD BOLT, M10×80	4
11	1.03 0006	WASHER, M10	10
12	1.01.0027	HEX HEAD ANTI-LOOSE NUT, M10	4
13	1.03.0053	HEX HEAD BOLT, M10×45	2
14	1.01.0060	SNAP WASHER, M10	2

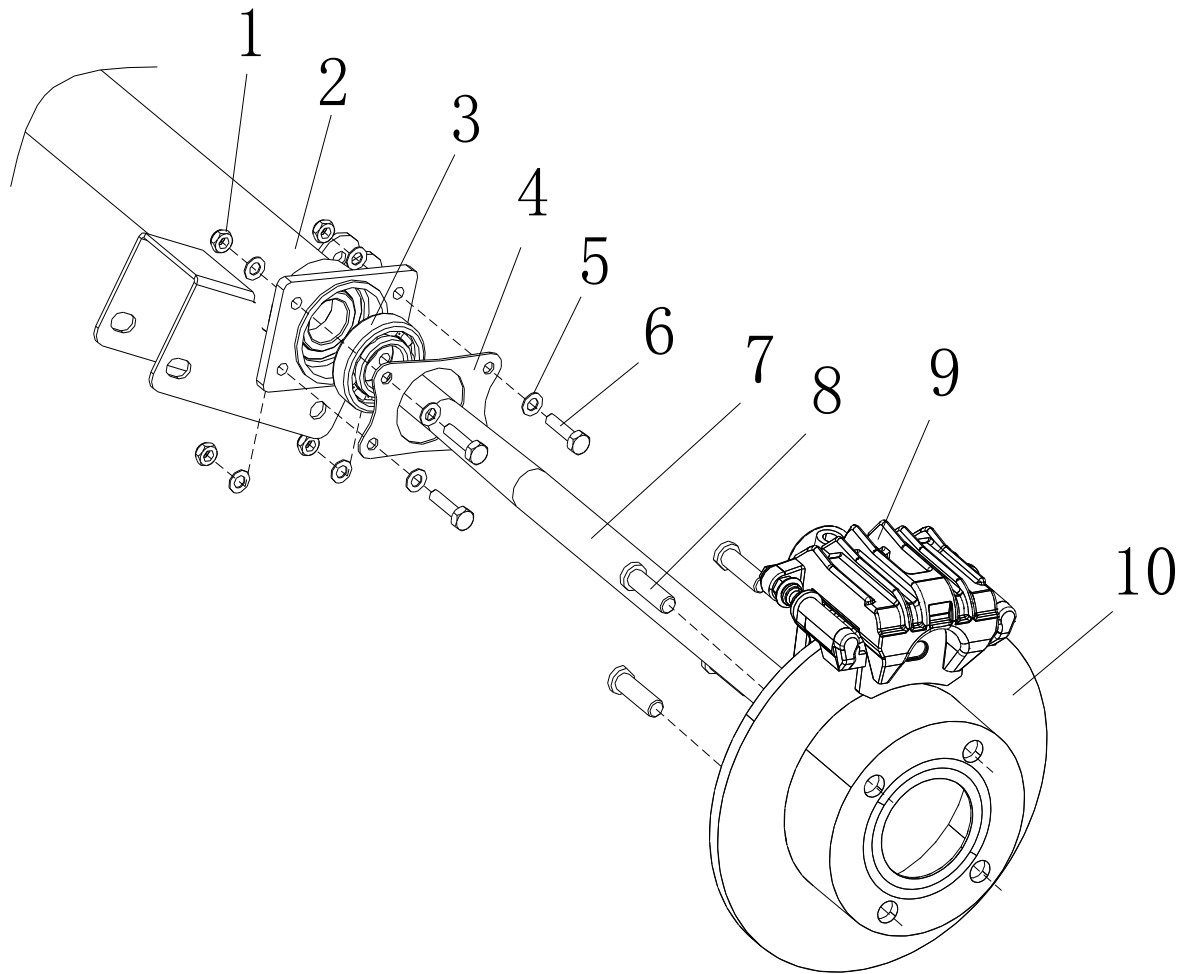
STEERING COLUMN ASSEMBLY



STEERING COLUMN ASSEMBLY PARTS LIST

ITEM	PART NO.	PART DESCRIPTION	QTY.
1	2.01.1888	CHASSIS	1
2	2.01.0086	JOINT, COMPOUND STEERING	2
3	2.01.0013	STEERING GEAR BOX	1
4	1.01.0008	SNAP WASHER, M8	2
5	1.03.0022	HEX HEAD BOLT, M8×25	2
6	2.01.0086	POWER STEERING COLUMN	1
7	2.01.1943	JOINT COMPOUND STEERING	1
8	1.03.0002	HEX HEAD BOLT, M10×25	4
9	1.01.0060	SNAP WASHER, M10	4
10	1.03.0006	WASHER, M10	4
11	2.01.0015	STEERING COLUM	1

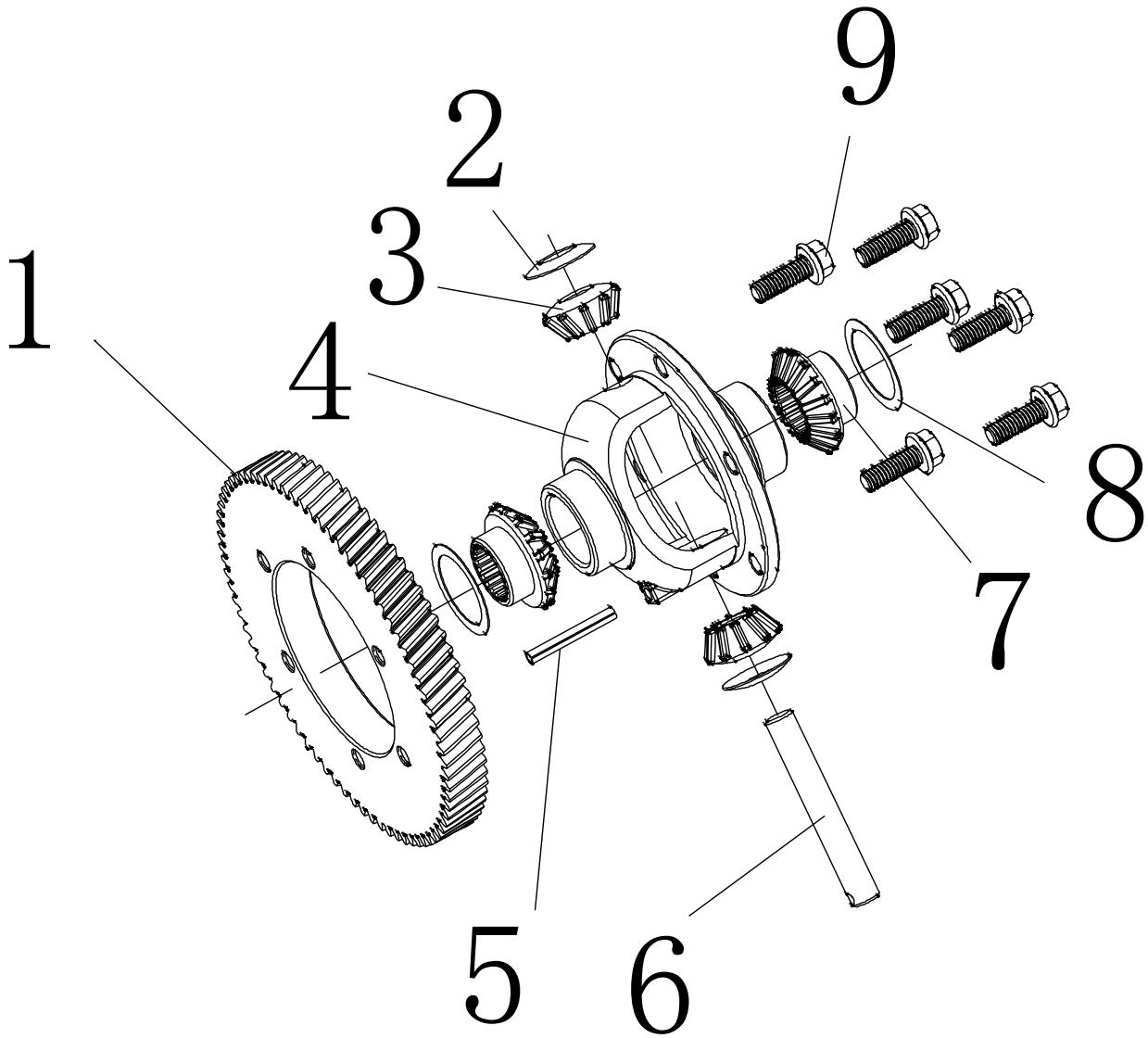
REAR AXLE ASSEMBLY



REAR AXLE ASSEMBLY PARTS LIST

ITEM	PART NO.	PART DESCRIPTION	QTY.
1	1.03.0018	HEX HEAD ANTI-LOOSE NUT, M8	8
2	/	SHAFT SLEEVE	1
3	/	BEARING	2
4	/	BREAK TABLETTING	2
5	1.01.0007	WHASHER, M8	8
6	1.03.0022	HEX HEAD BOLT, M8×25	6
7	2.01.0322	HALF SHAFT(LONG)	1
	2.01.0323	HALF SHAFT (SHORT)	1
8	1.08.0002	WHEEL STUD	8
9	2.01.2168	REAR HYDRAULIC BRAKE CALIPER, PASSENGER SIDE	1
10	2.01.2161	BRAKE DISC, REAR END ASSEMBLY	2

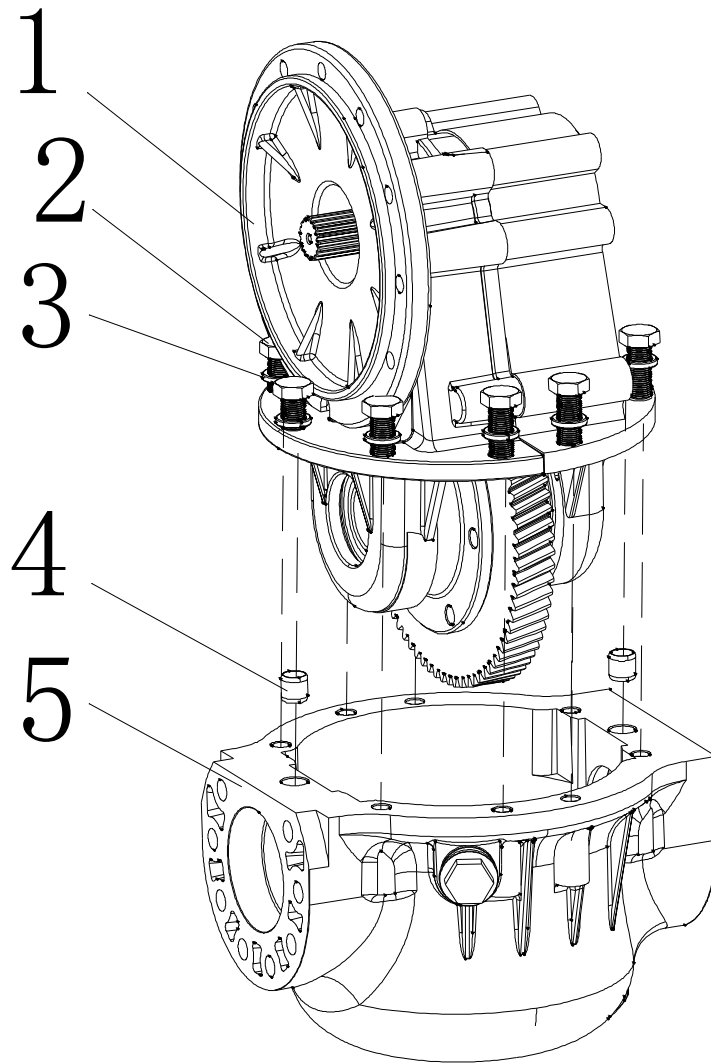
REAR END ASSEMBLY



REAR END ASSEMBLY PARTS LIST

ITEM	PART NO.	PART DESCRIPTION	QTY.
1	/	MAIN DIFFERENTIAL ASSEMBLY GEAR	1
2	/	GASKET FOR GEAR	1
3	/	ANGEL GEAR	1
4	/	DIFFERENTIAL CASING	2
5	/	PIN	1
6	/	DIFFERENTIAL GEAR SHAFT	1
7	/	ANGEL GEAR	2
8	/	GASKET FOR GEAR	2
9	/	HEX HEAD BOLT, M8×25	6

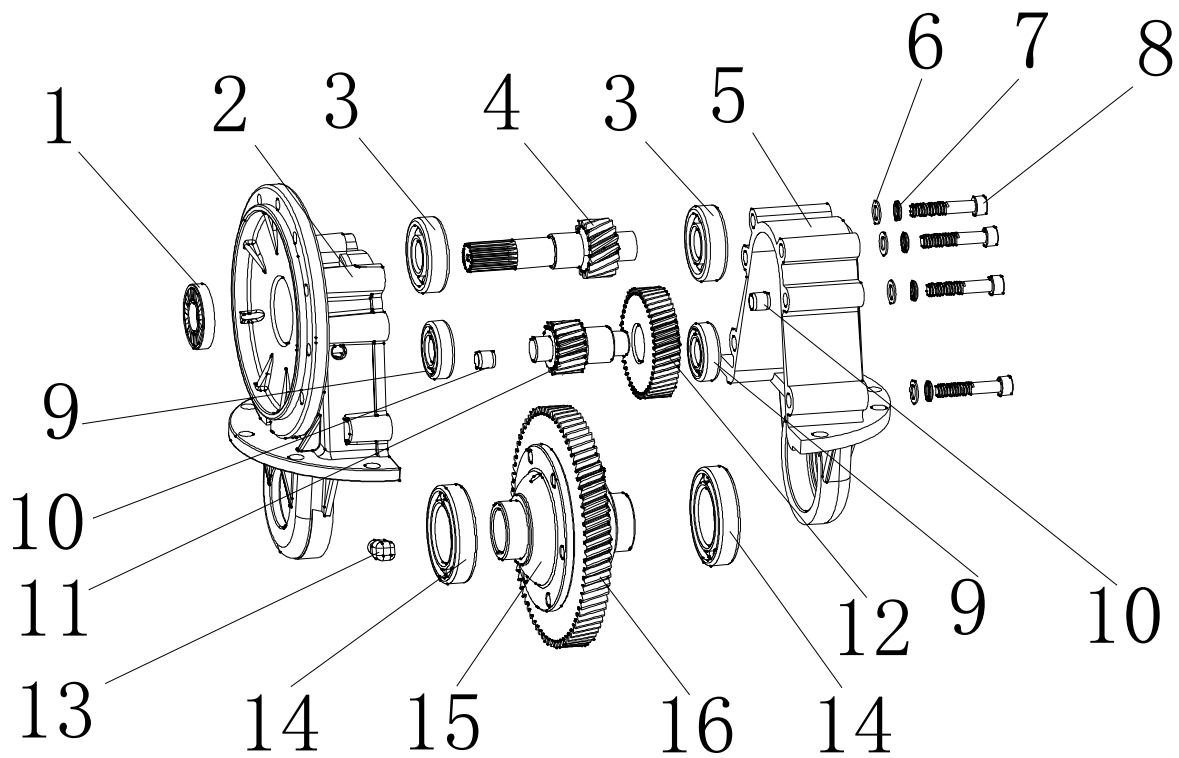
REAR END ASSEMBLY



REAR END ASSEMBLY PARTS LIST

ITEM	PART NO.	PART DESCRIPTION	QTY.
1	/	DIFFERENTIAL CASING	1
2	/	HEX HEAD BOLT, M10×35	12
3	/	SNAP WASHER, M10	12
4	/	PIN	2
5	/	REAR AXLE ALUMINIUM MIDDLE	1

REAR END ASSEMBLY



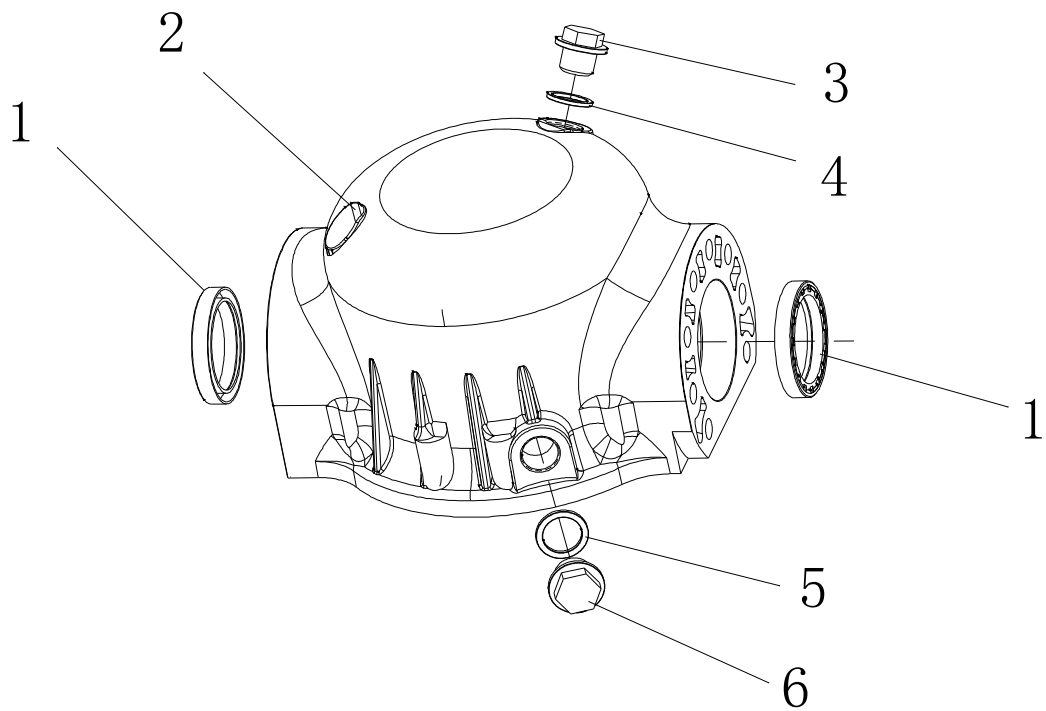
REAR END ASSEMBLY PARTS LIST

ITEM	PART NO.	PART DESCRIPTION	QTY.
1	2.03 0065	OIL SEAL INPUT SHAFT REAR END	1
2	/	REAR AXLE TRANSMISSION ASSEMBLY CASING, LEFT	1
3	/	BEARING	1
4	/	MASTER GEAR	1
5	/	REAR AXLE TRANSMISSION ASSEMBLY CASING, RIGHT	1
6	/	WASHER, M10	4
7	/	SNAP WASHER, M10	4
8	/	INSIDE HEX HEAD BOLT	4
9	/	BEARING	1
10	/	PIN	1
11	/	DRIVER GEAR	1
12	/	GEAR	1
13	/	OIL INJECTION GAP	1
14	/	BEARING	1

REAR END ASSEMBLY PARTS LIST

ITEM	PART NO.	PART DESCRIPTION	QTY.
15	/	OIL SEAL	1
16	/	DRIVING GEAR	1

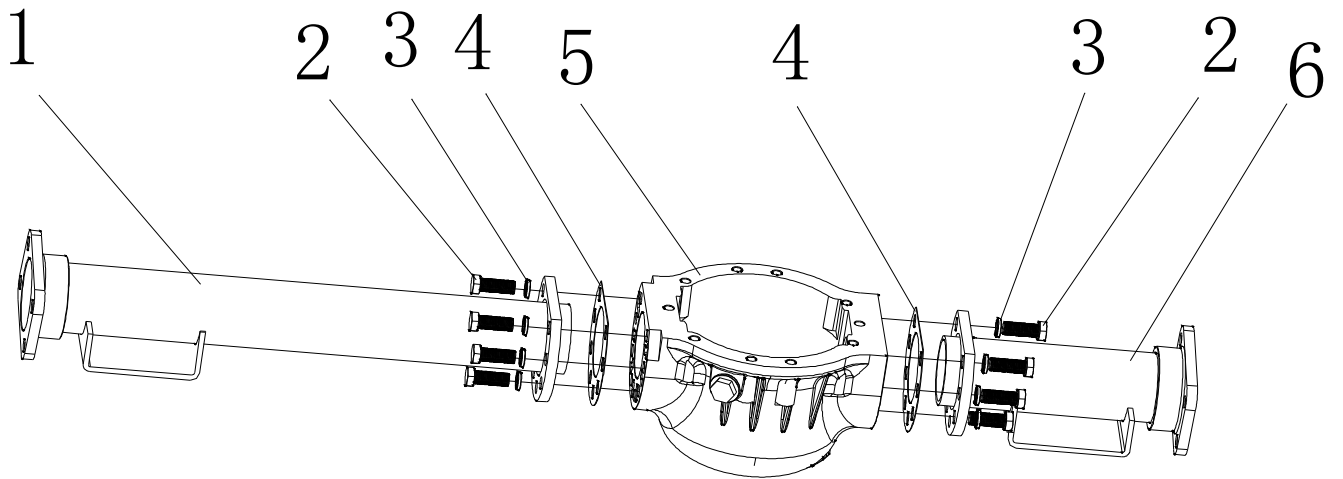
REAR END ASSEMBLY



REAR END ASSEMBLY PARTS LIST

ITEM	PART NO.	PART DESCRIPTION	QTY.
1	2.03 0067	OIL SEAL FOR HALF SHAFT	2
2	/	REAR AXLE ALUMINIUM MIDDLE	1
3	/	OIL FILLER PLUG	1
4	/	GASKET FOR OIL FILLER PLUG	1
5	/	GASKET FOR OIL OUTLET PLUG	1
6	/	OIL OUTLET PLUG	1

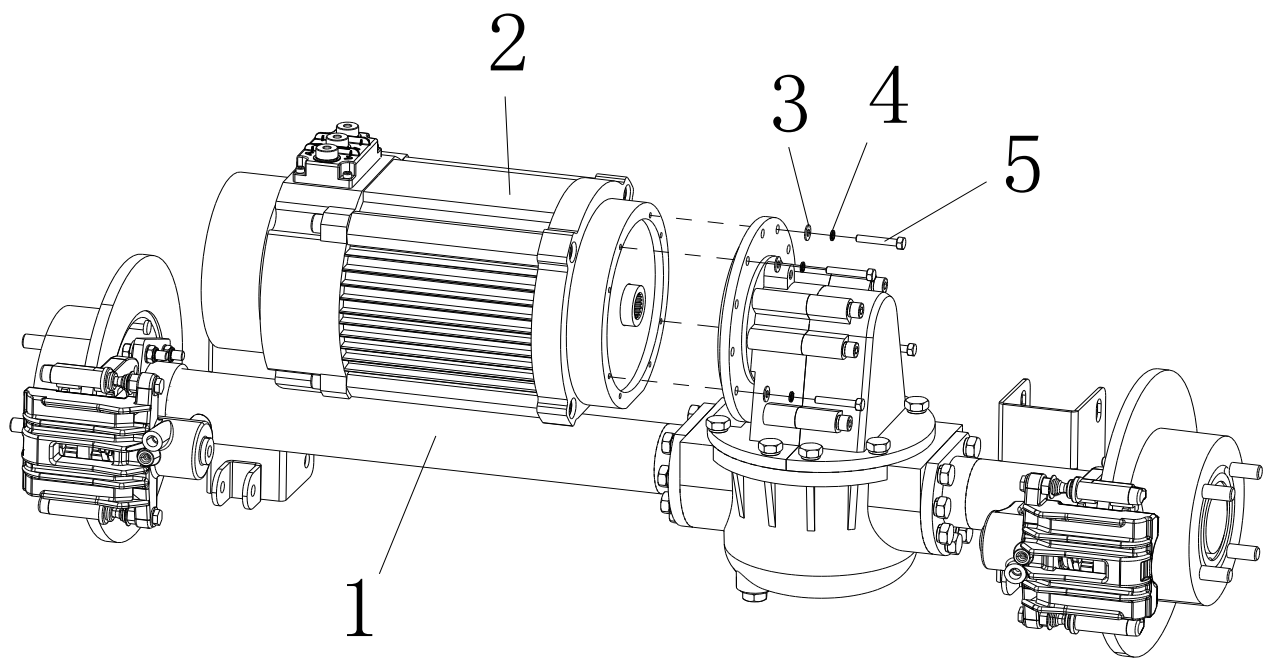
REAR END ASSEMBLY



REAR END ASSEMBLY PARTS LIST

ITEM	PART NO.	PART DESCRIPTION	QTY.
1	/	LONG SHAFT SLEEVE	1
2	/	HEX HEAD BOLT, M10×30	16
3	/	SNAP WASHER	16
4	/	BUTTON SEAL	1
5	/	REAR AXLE ALUMINIUM MIDDLE	1
6	/	SHORT SHAFT SLEEVE	1

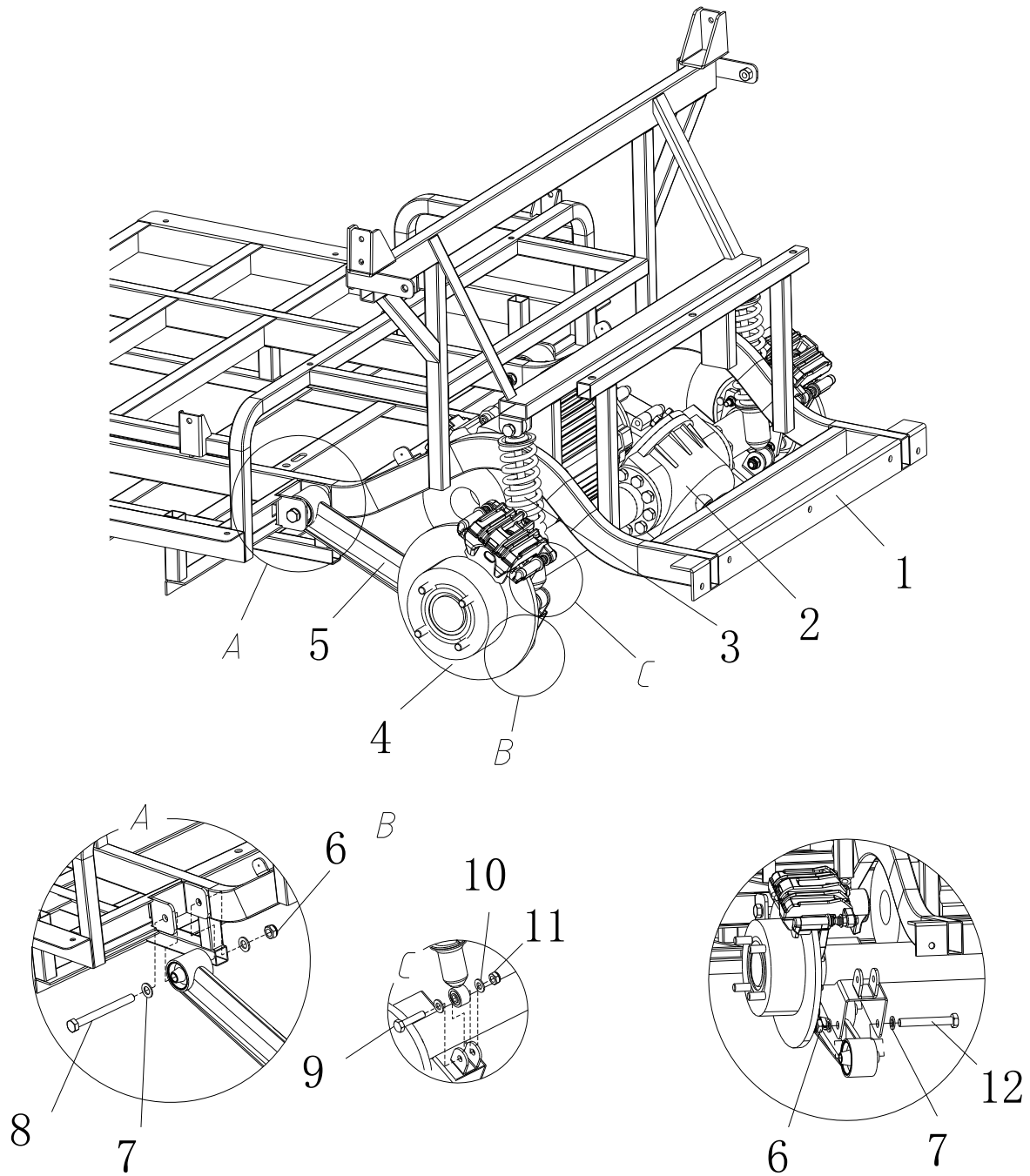
MOTOR ASSEMBLY



MOTOR ASSEMBLY PARTS LIST

ITEM	PART NO.	PART DESCRIPTION	QTY.
1	2.01.1843	REAR END ASSEMBLY, Ratio: 12.49	1
2	2.04.0917	AC MOTOR WITH MOTOR BRAKE, 48V/6.3KW	1
3	1.03.0006	WASHER, M6	4
4	1.01.0042	SNAP WASHER, M6	4
5	1.03.0007	HEX HEAD BOLT, M6×30	4

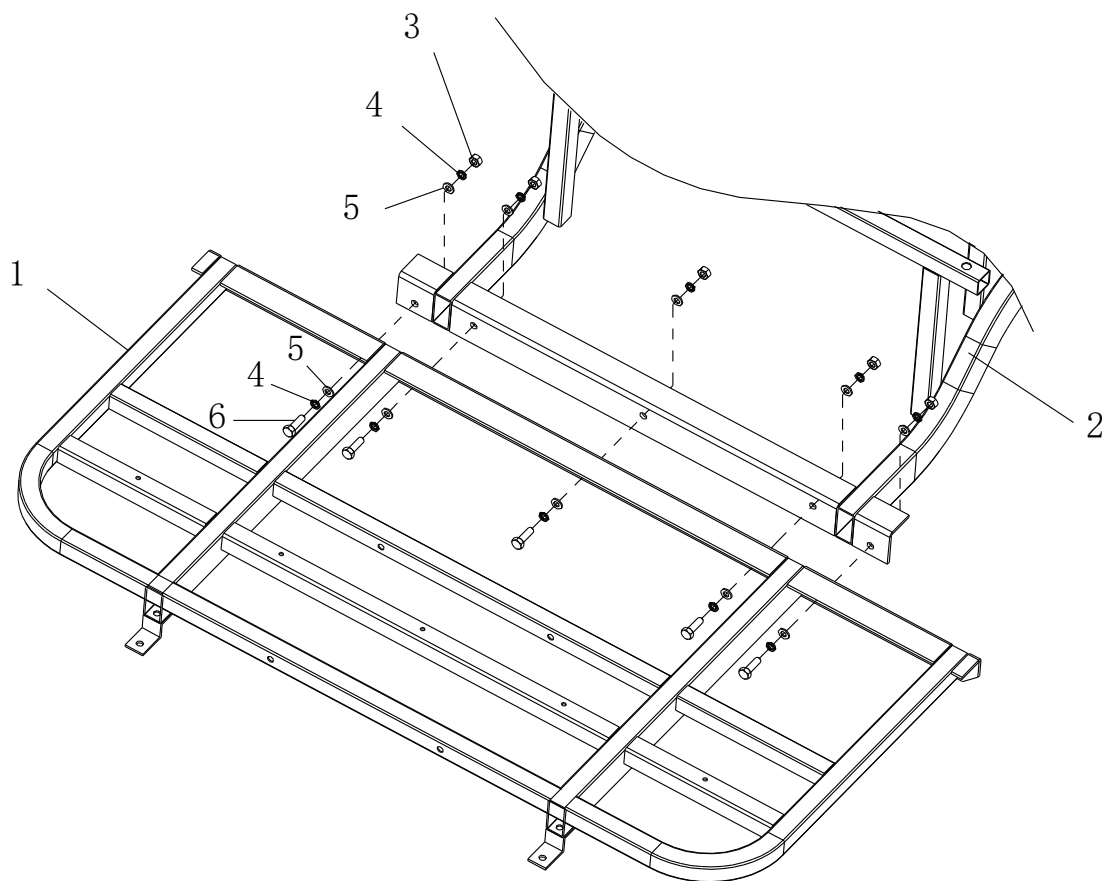
FRONT SUSPENSION ASSEMBLY



FRONT SUSPENSION ASSEMBLY

ITEM	PART NO.	PART DESCRIPTION	QTY.
1	2.01.1888	CHASSIS	1
2	2.01.1843	REAR END ASSEMBLY, Ratio: 12.49	1
3	2.01.1989	REAR SHOCK ABSORBER, Φ 9mm	2
4	2.01.2161	BRAKE DISC	2
5	2.01.1889	REAR A-ARM	2
6	1.03.0035	HEX HEAD ANTI-LOOSE NUT, M12	6
7	1.01.0157	WASHER, M12	12
8	1.03.0089	HEX HEAD BOLT, M12 \times 120	2
9	1.03.0053	HEX HEAD BOLT, M10 \times 45	2
10	1.03 0006	WASHER, M10	4
11	1.01.0027	HEX HEAD ANTI-LOOSE NUT, M10	2
12	1.03.0086	HEX HEAD BOLT, M12 \times 85	4

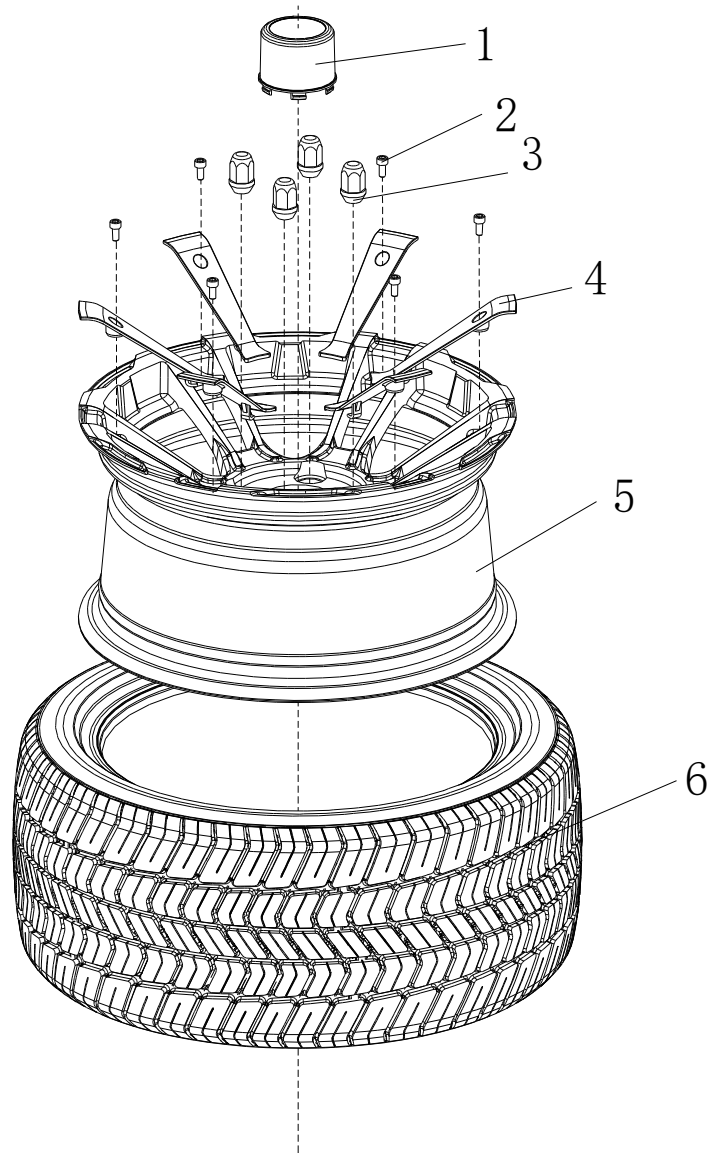
CHASSIS ASSEMBLY



CHASSIS ASSEMBLY PARTS LIST

ITEM	PART NO.	PART DESCRIPTION	QTY.
1	2.01.1907	CAHSSIS FRAME CONNECTING PART	1
2	2.01.1888	CHASSIS	1
3	1.01.0027	HEXAGON HEAE ANTI-LOOSE NUT, M10	5
4	1.01.0008	SNAP WASHER, $\Phi 8$	10
5	1.01.0007	WASHER, $\Phi 8$	10
6	1.03.0017	HEX HEAD BOLT, M8 \times 30	5

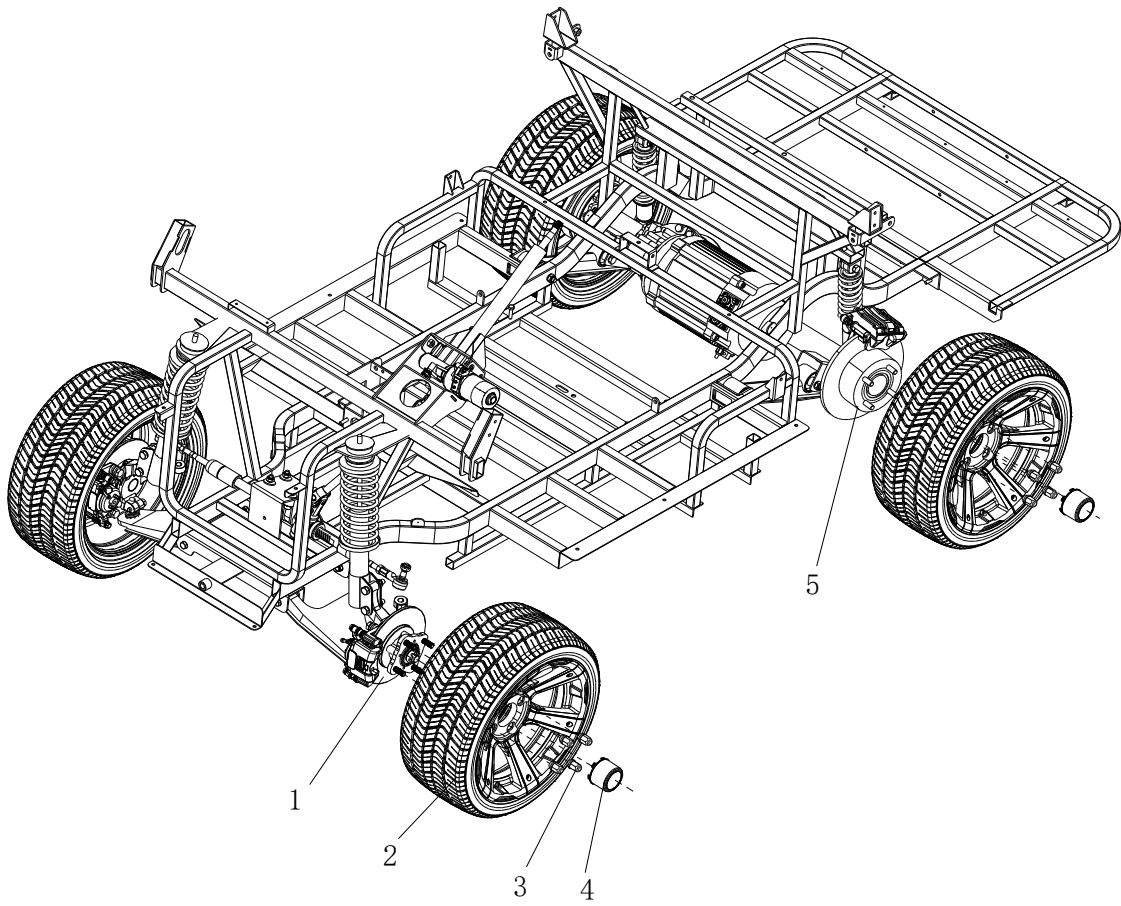
TYRE AND RIM ASSEMBLY



TYRE AND RIM ASSEMBLY PRATS LIST

ITEM	PART NO.	PART DESCRIPTION	QTY.
1	2.03.0656	CENTER DUST CAP	1
2	1.01.0219	STAINLESS STEEL SOCKET HEXAGON SCREW M6×12	6
3	1.08.0017	LUG NUT, M12×1.25R	4
4	2.03.1506	DECORATION TRIM FOR 14" RIM, PPG	6
5	2.01.1544	ALUMINUM WHEEL RIM, 14×7	1
6	2.03.1068	RADIAL TIRE, 225/50R14, EVOLUTION	1

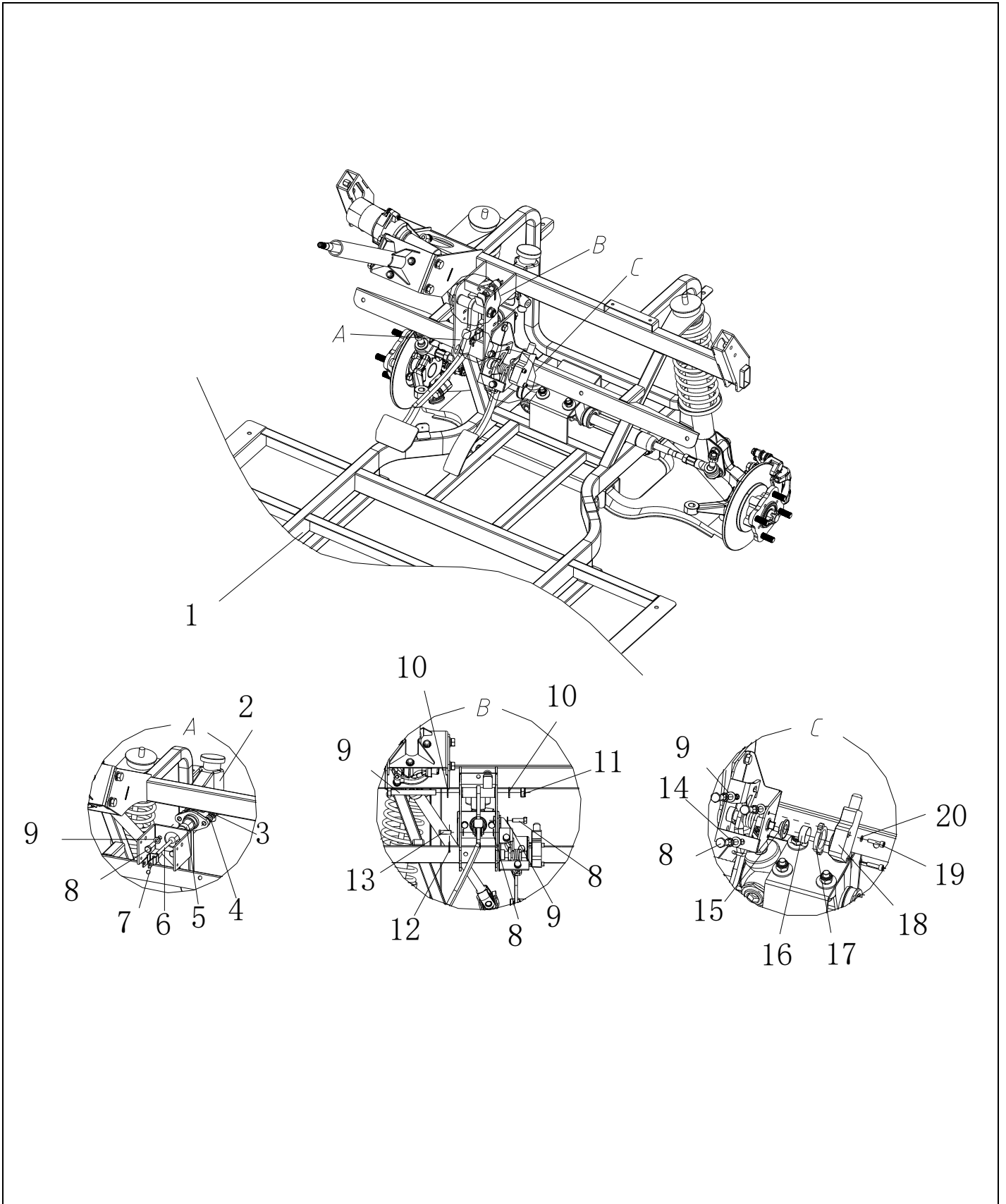
TYRE AND RIM ASSEMBLY



TYRE AND RIM ASSEMBLY PRATS LIST

ITEM	PART NO.	PART DESCRIPTION	QTY.
1	2.01.1929	BRAKE ASSEMBLY	2
2	2.04.0090	TIRE	4
3	1.08.0017	LUG NUT, M12×1.25R	16
4	2.03.0656	CENTER DUST CAP	4
5	2.01.1843	REAR END ASSEMBLY	1

ACCELERATOR ASSEMBLY



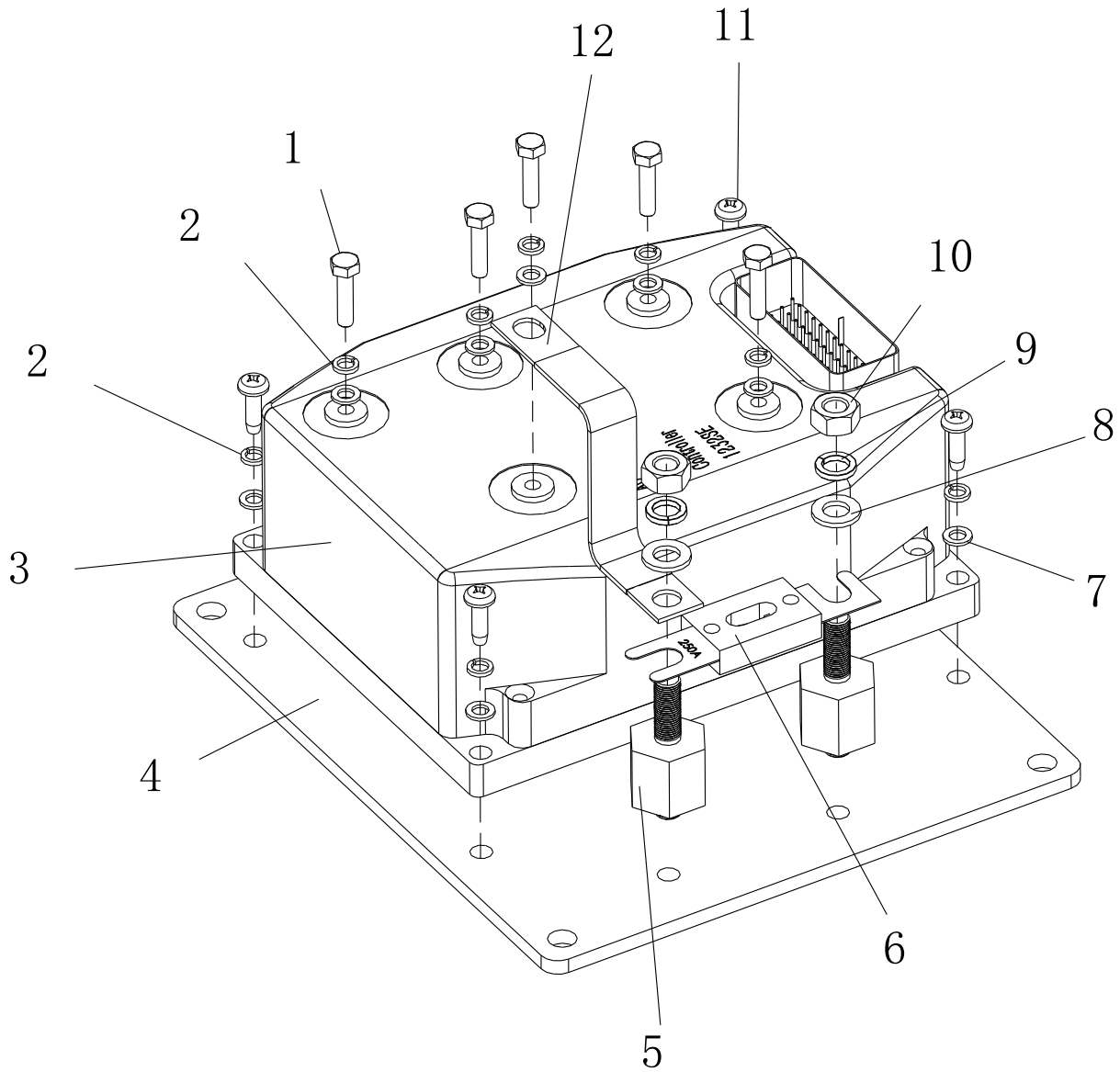
TYRE AND RIM ASSEMBLY PRATS LIST

ITEM	PART NO.	PART DESCRIPTION	QTY.
1	2.01.1888	CHASSIS	1
2	/	BRAKE MASTER CYLINDER	1
3	1.01.0009	HEX HEAD NUT, M8	2
4	1.01.0007	WASHER, M8	7
5	/	MASTER CYLINDER	1
6	/	MASTER CYLINDER	1
7	/	MASTER CYLINDER	1
8	1.03.0017	HEX HEAD BOLT, M8×30	2
9	1.03.0081	HEX HEAD BOLT, M12×100	1
10	1.01.0157	WASHER, M12	2
11	1.03.0035	HEX HEAD ANTI-LOOSE NUT, M12	1
12	1.08.0001	COTTER, D=2.5 L=25	1
13	/	PIN	1
14	1.01.0008	SNAP WASHER, M8	3
15	/	ELECTRIC ACCELERATOR	1
16	/	ELECTRIC ACCELERATOR	1

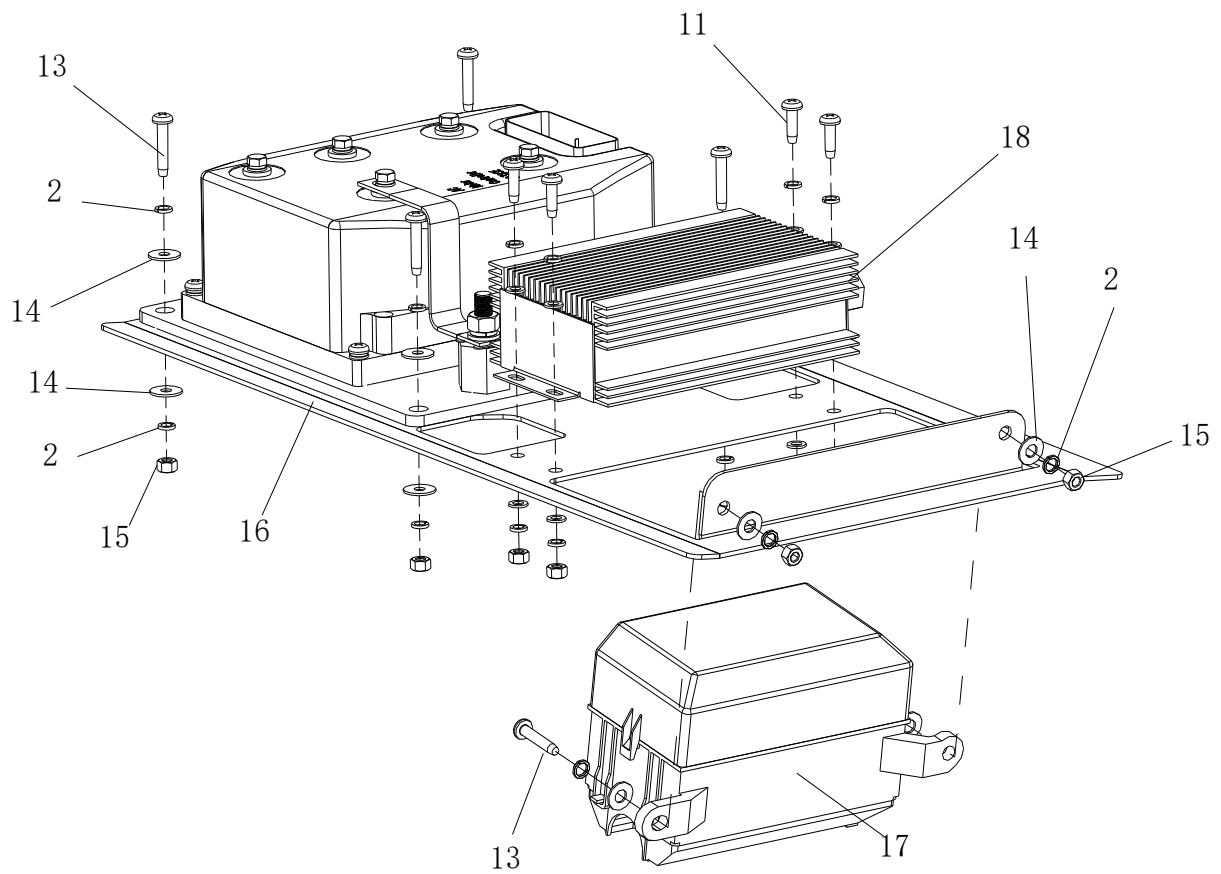
TYRE AND RIM ASSEMBLY PRATS LIST

ITEM	PART NO.	PART DESCRIPTION	QTY.
17	2.01.1917	MOUNTING BASE FOR ACCELERATOR	1
18	2.04.1181	ELECTRIC ACCELERATOR	1
19	1.01.0010	EXTRA LARGE WASHER, M5	2
20	1.01.0237	HEXAGON SOCKET HEAE CAP SCREWS, M5×30	2

CONTROLLER PANEL ASSEMBLY INSTALLATION



CONTROLLER PANEL ASSEMBLY INSTALLATION



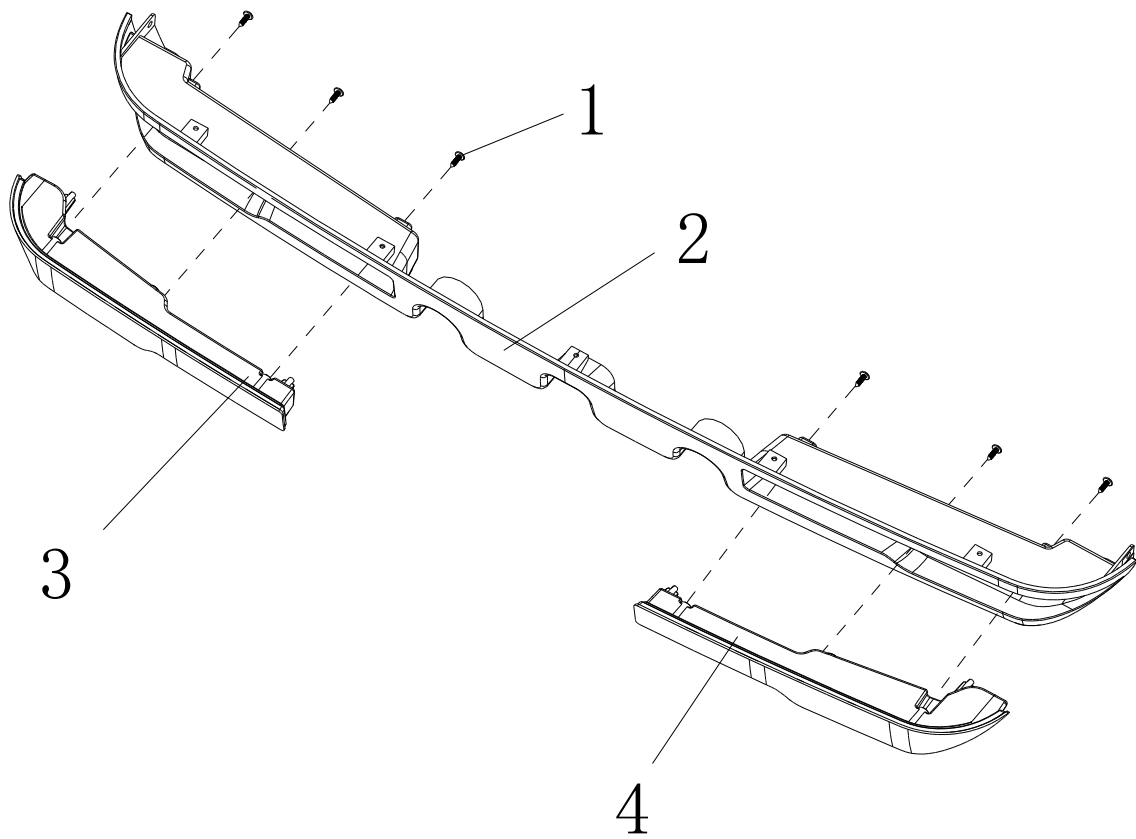
CONTROLLER PANEL ASSEMBLY INSTALLATION PRATS LIST

ITEM	PART NO.	PART DESCRIPTION	QTY.
1	1.01.0071	HEX HEAD BOLT, M5×20	5
2	1.01.0004	SNAP WASHER, M5	25
3	2.04.1164	EV48-400 EVOLUTION 400A AC CONTROLLER	1
4	2.01.1897	CONTROLLER MOUNTING BOARD	1
5	2.04.0011	CABLE POLE	2
6	2.04.0052	MAIN FUSE, 400A	1
7	1.01.0003	WASHER, M5	17
8	1.01.0007	WASHER, M8	2
9	1.01.0008	SNAP WASHER, M8	1
10	1.01.0009	HEX HEAD NUT, M8	2
11	1.02.0077	PAN HEAD SRCEW, ST4.8×16	8
12	2.01.1773	FLAT COPPER SHEET	1
13	1.02.0080	PAN HEAD SRCEW, ST4.8×25	6
14	1.01.0010	EXTRA LARGE WASHER, M5	4
15	1.01.0005	HEX HEAD NUT, M5	10

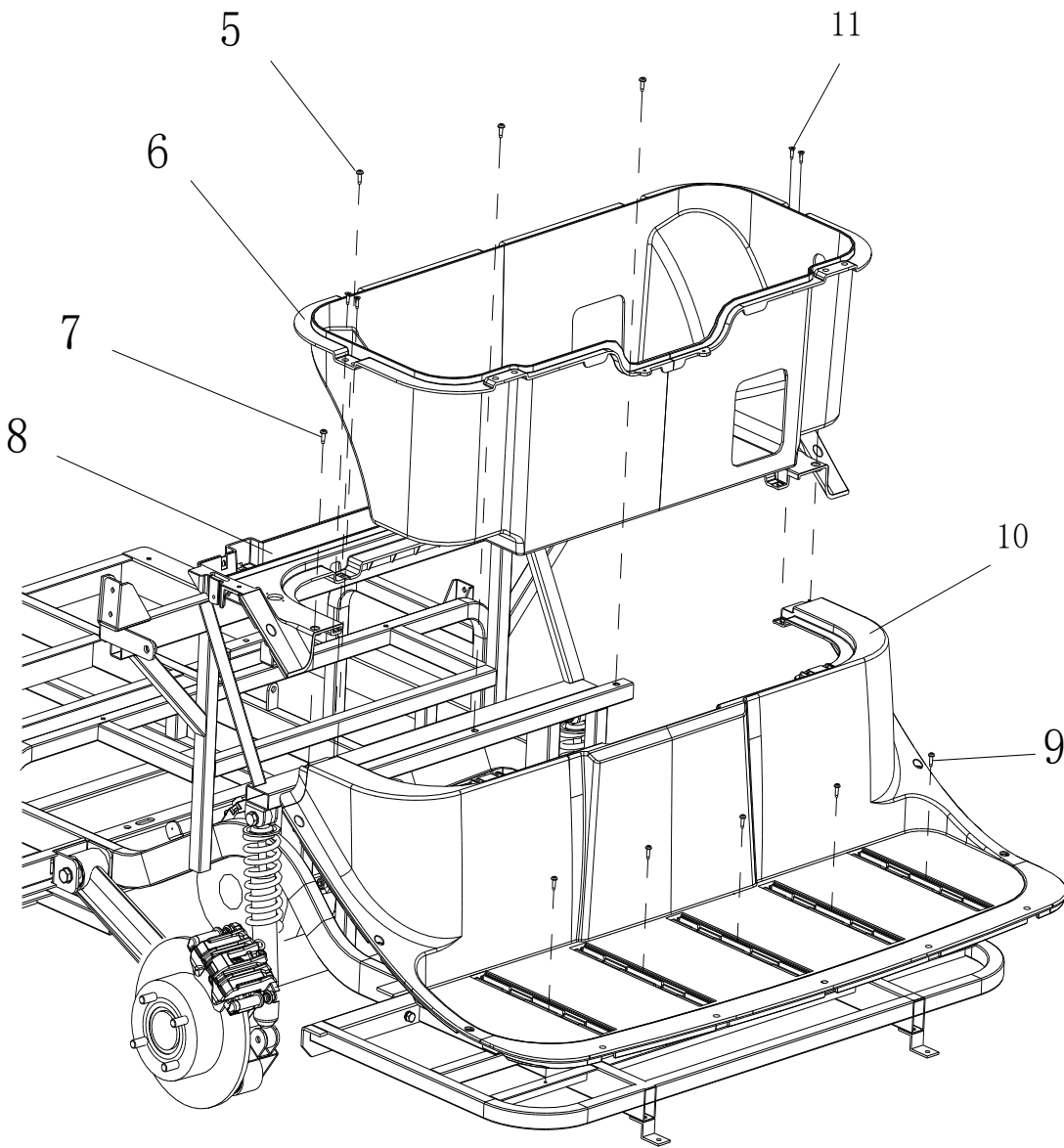
CONTROLLER PANEL ASSEMBLY INSTALLATION PRATS LIST

ITEM	PART NO.	PART DESCRIPTION	QTY.
16	1.01.0040	CONTROLLER MOUNTING BOARD	1
17	/	FUSE BOX	1
18	2.04.0024	DC CONVERTER 26-60V20A12V/200W	1

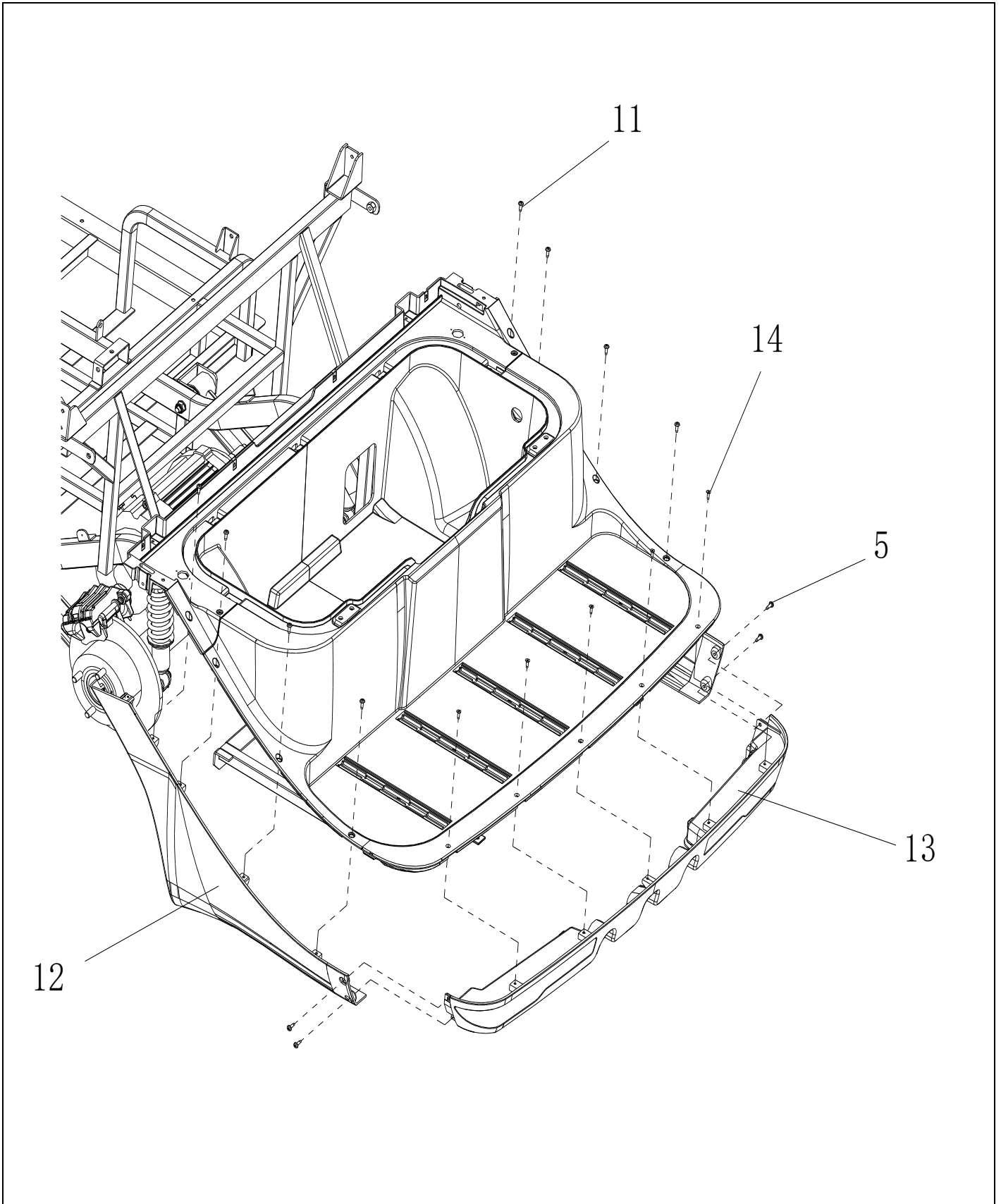
TAIL ASSEMBLY INSTALLATION



TAIL ASSEMBLY INSTALLATION



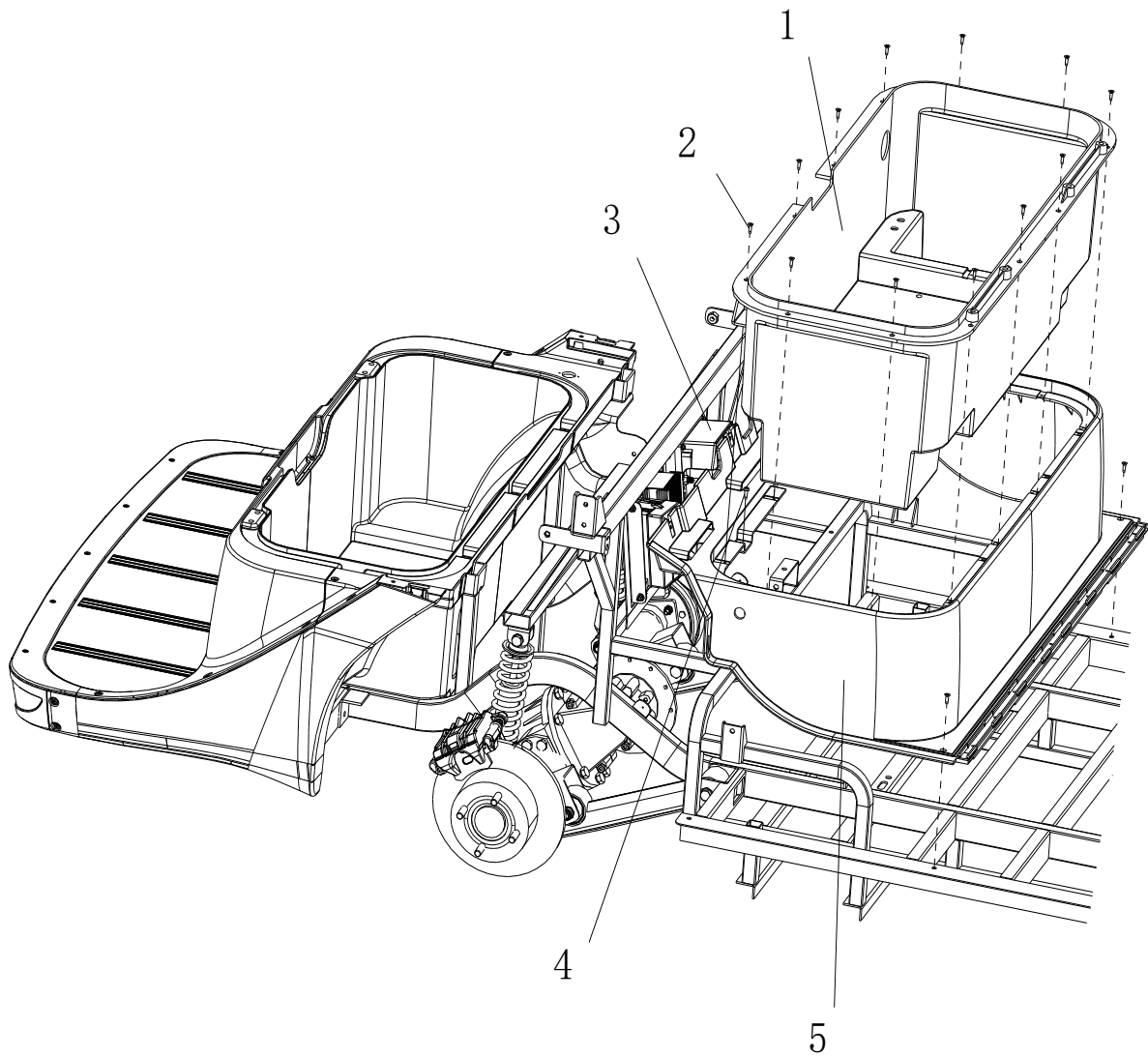
TAIL ASSEMBLY INSTALLATION



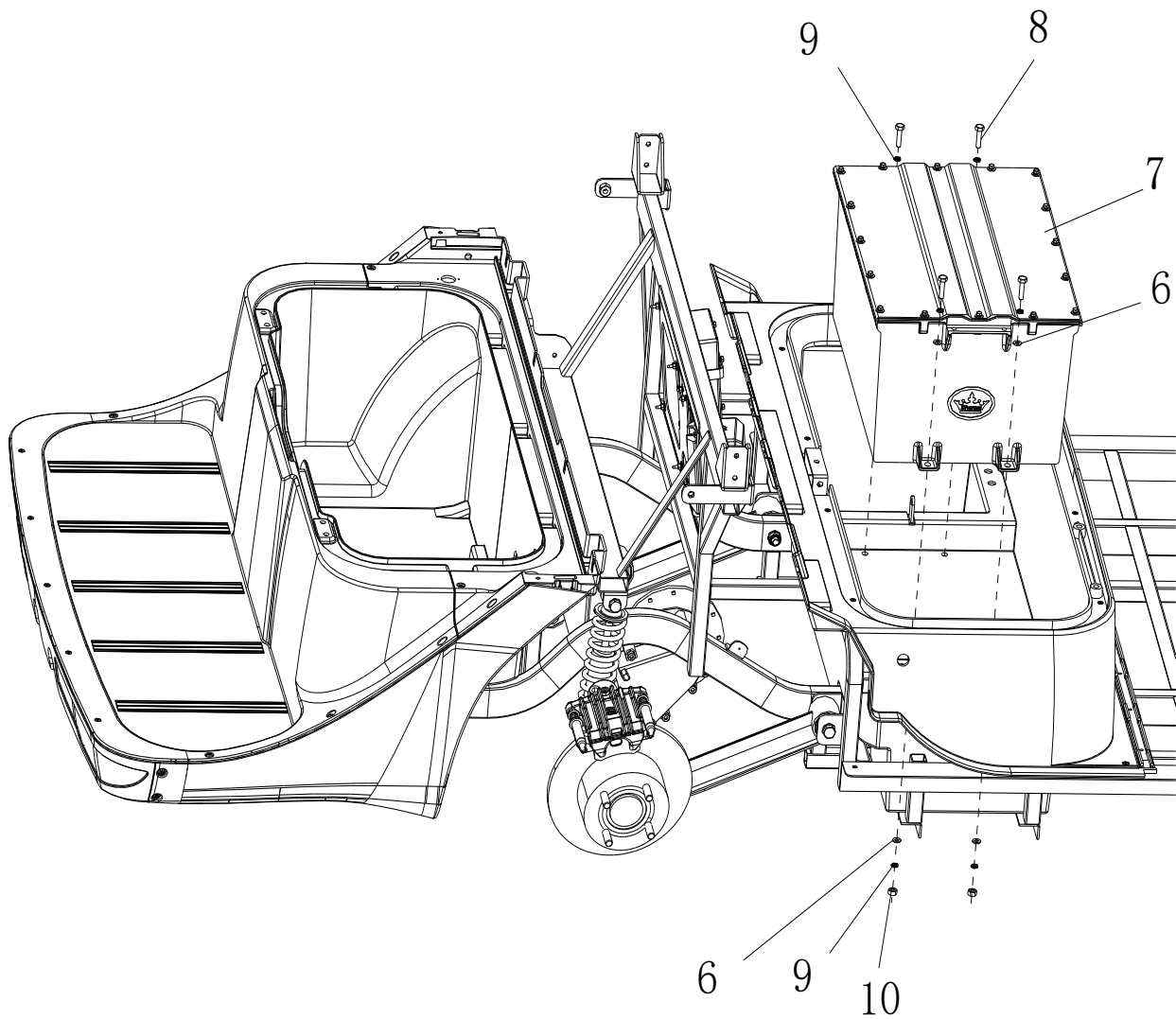
TAIL ASSEMBLY INSTALLATION PRATS LIST

ITEM	PART NO.	PART DESCRIPTION	QTY.
1	1.01.0239	PAN HEAD SRCEW, ST3.5×16	10
2	2.03.1432	REAR BUMPER	1
3	2.04.1172	COMBINATION TAIL LAMPS, DRIVER SIDE	1
4	2.04.1173	COMBINATION TAIL LAMPS, PASSENGER SIDE	1
5	1.02.0078	PAN HEAD SRCEW, ST4.8×16	7
6	2.03.1145	REAR STORAGE BOX	1
7	1.02.0002	PAN HEAD SRCEW, ST4.8×16	1
8	2.03.1110	MOUNTING BASE BOARD FOR REAR SEAT	1
9	1.01.0076	PAN HEAD SCREW, M5×20	5
10	2.01.1773	REAR FOOTSTEP	1
11	1.02.0080	PAN HEAD SRCEW, ST4.8×25	9
12	2.03.1418	REAR BODY, DRIVER SIDE	1
13	2.03.1432	REAR BUMPER	1
14	1.02.0077	PAN HEAD SRCEW, ST4.8×16	8

LITHIUM BATTERY INSTALLATION



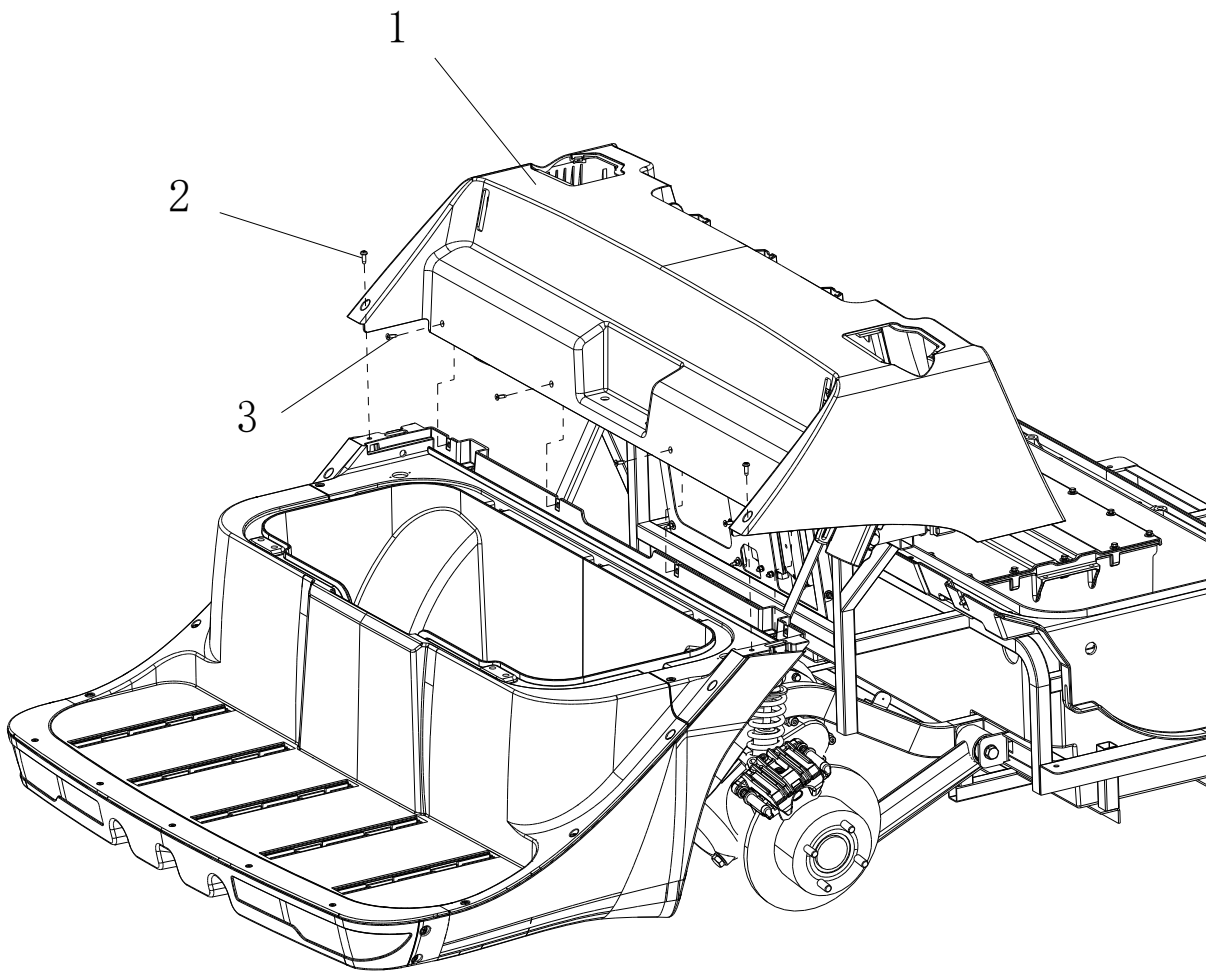
LITHIUM BATTERY INSTALLATION



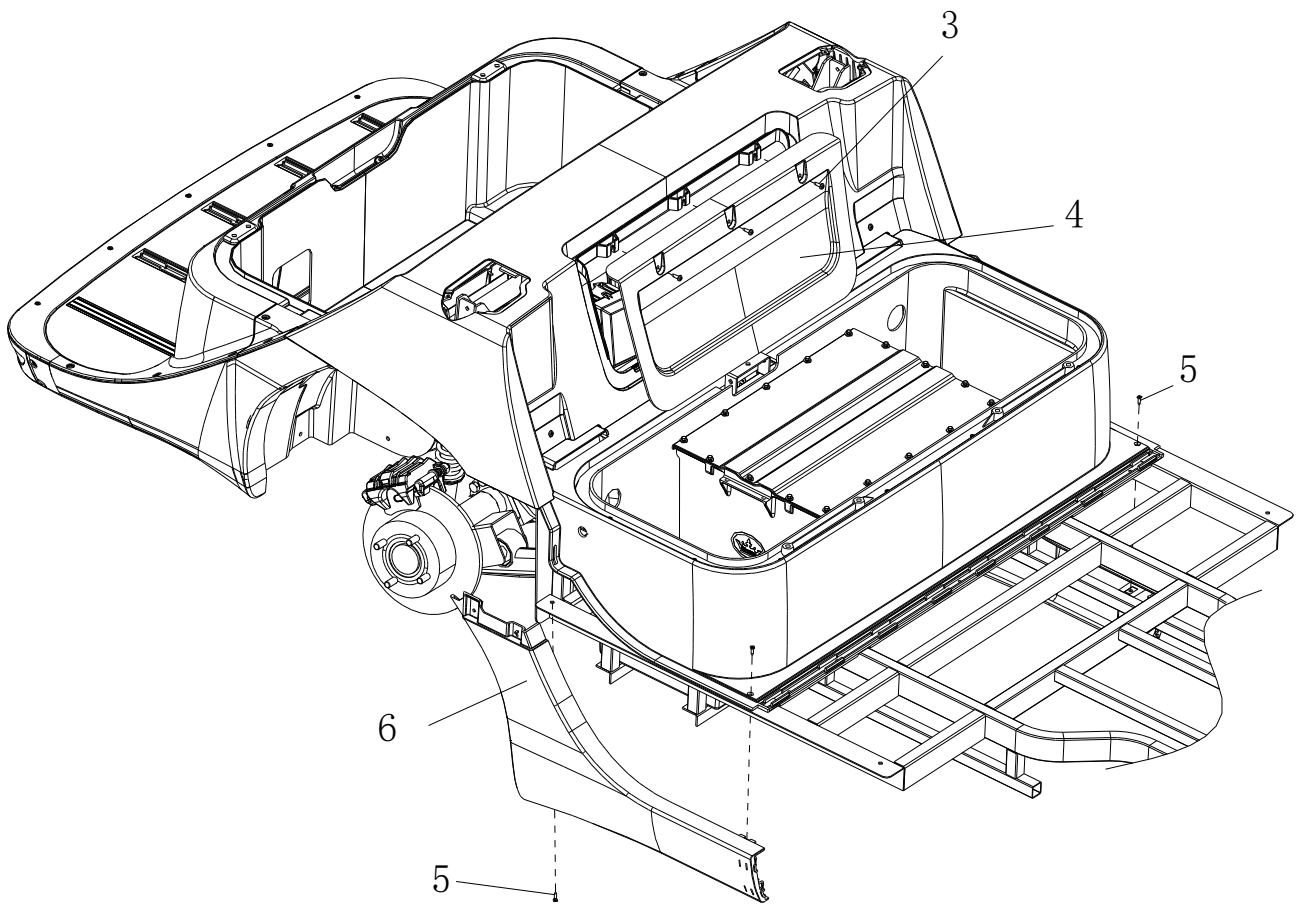
LITHIUM BATTERY INSTALLATION PARTS LIST

ITEM	PART NO.	PART DESCRIPTION	QTY.
1	2.03.1103	BATTERY BARREL	1
2	1.02.0077	PAN HEAD SRCEW, ST4.8×16	12
3	/	CONTROLLER PANEL ASSEMBLY	1
4	1.02.0068	PAN HEAD SRCEW, M6×15	1
5	2.03.1102	FRONT SEAT POD	1
6	1.01.0007	WASHER, M8	8
7	2.04.1138	LITHIUM BATTERY PACK	1
8	1.03.0017	HEX HEAD BOLT, M8×30	4
9	1.01.0008	SNAP WASHER, M8	8
10	1.01.0027	HEX HEAD ANTI-LOOSE NUT, M8	4

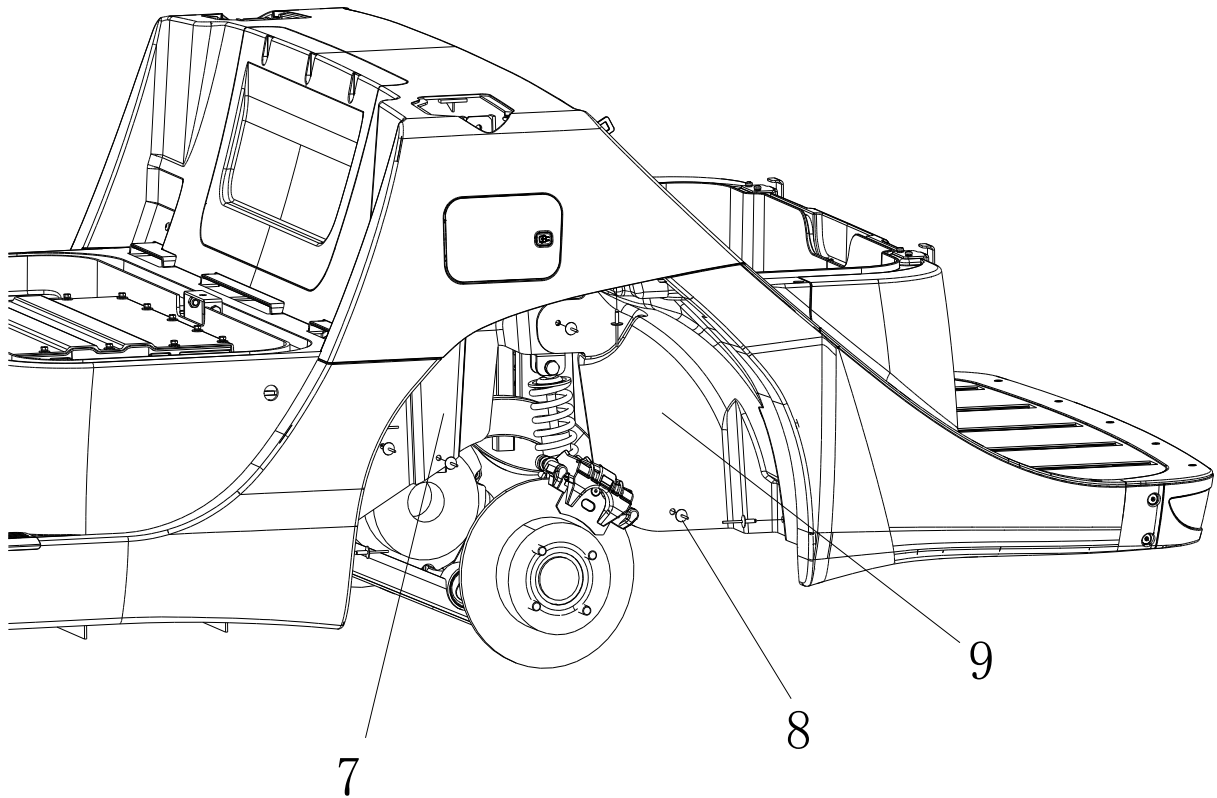
REAR MOULDING COVER INSTALLATION



REAR MOULDING COVER INSTALLATION



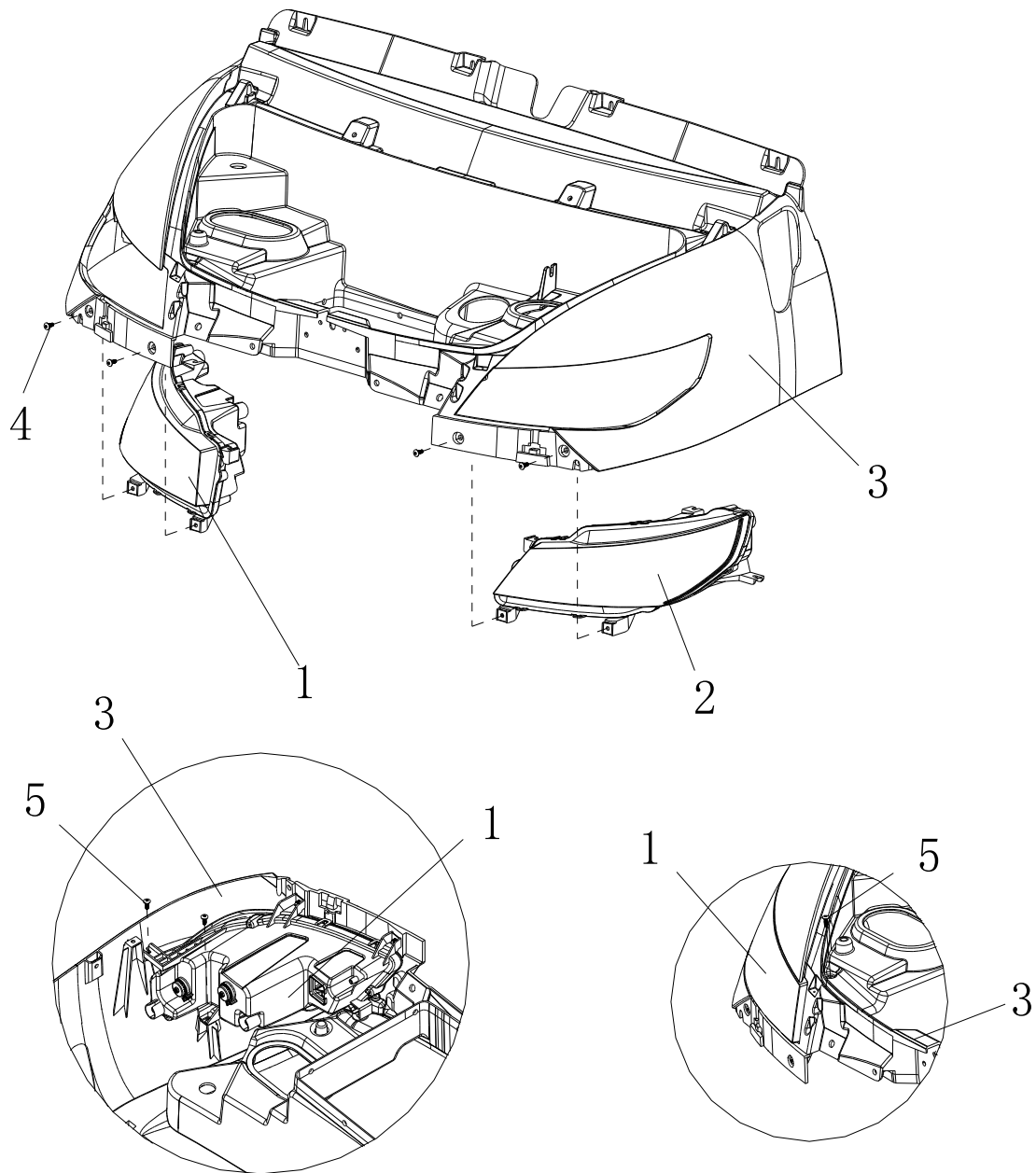
REAR MOULDING COVER INSTALLATION



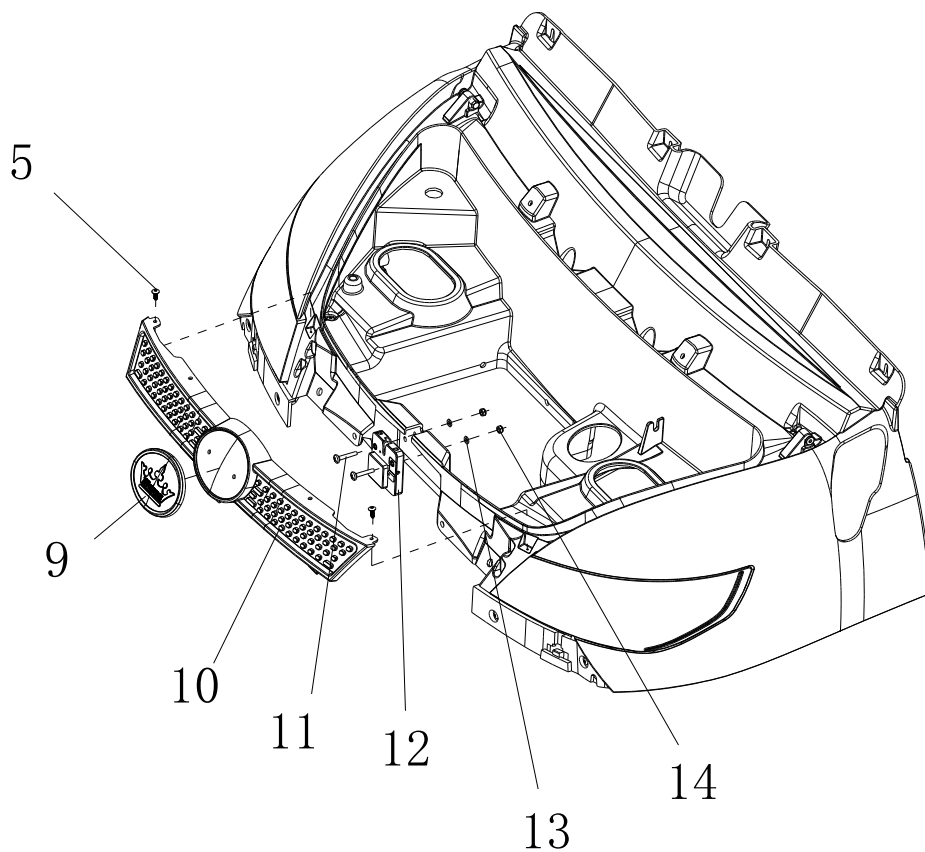
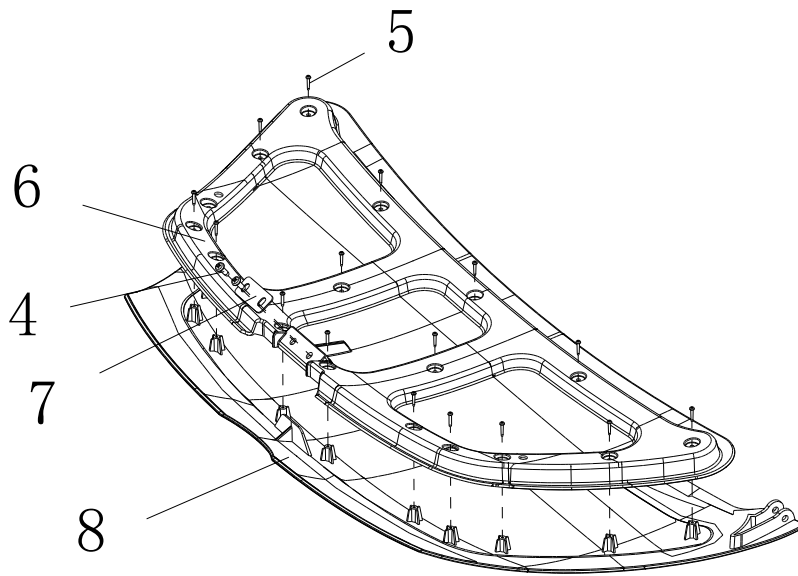
REAR MOULDING COVER INSTALLATION PARTS LIST

ITEM	PART NO.	PART DESCRIPTION	QTY.
1	2.03.1479	REAR MOULDING COVER	1
2	1.02.0080	PAN HEAD SRCEW, ST4.8×25	2
3	1.02.0077	PAN HEAD SRCEW, ST4.8×16	3
4	2.03.1360	INSPECTION COVER	1
5	1.01.0238	PAN HEAD SRCEW, ST4.8×16	4
6	2.03.1409	FRONT SIDE PANEL, PASSENGER SIDE	1
7	2.03.1243	REAR WHEEL INNER PANEL, DRIVER SIDE	1
8	1.08.0010	RIVET, $\Phi 5 \times 18$	16
9	2.03.1177	REAR WHEEL INNER PANEL B, DRIVER SIDE	1

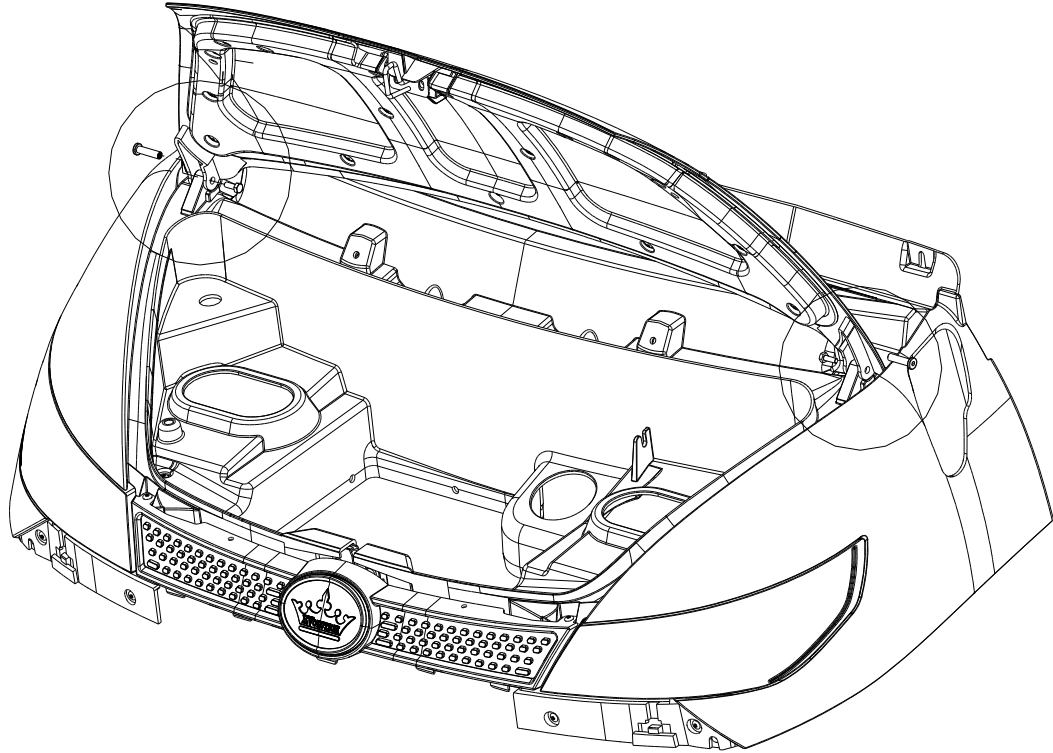
FRONT COWL INSTALLATION



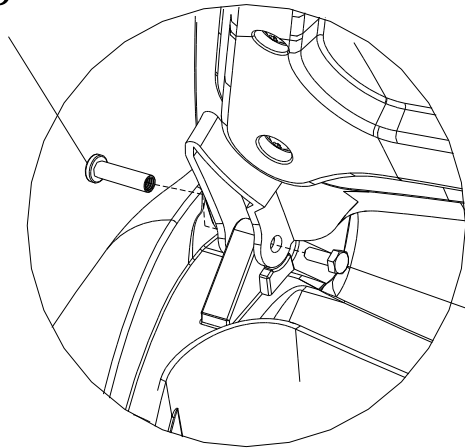
FRONT COWL INSTALLATION



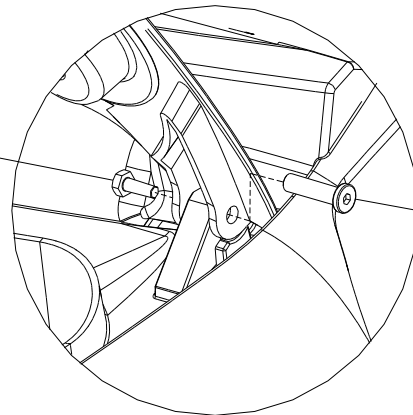
FRONT COWL INSTALLATION



15



16
16

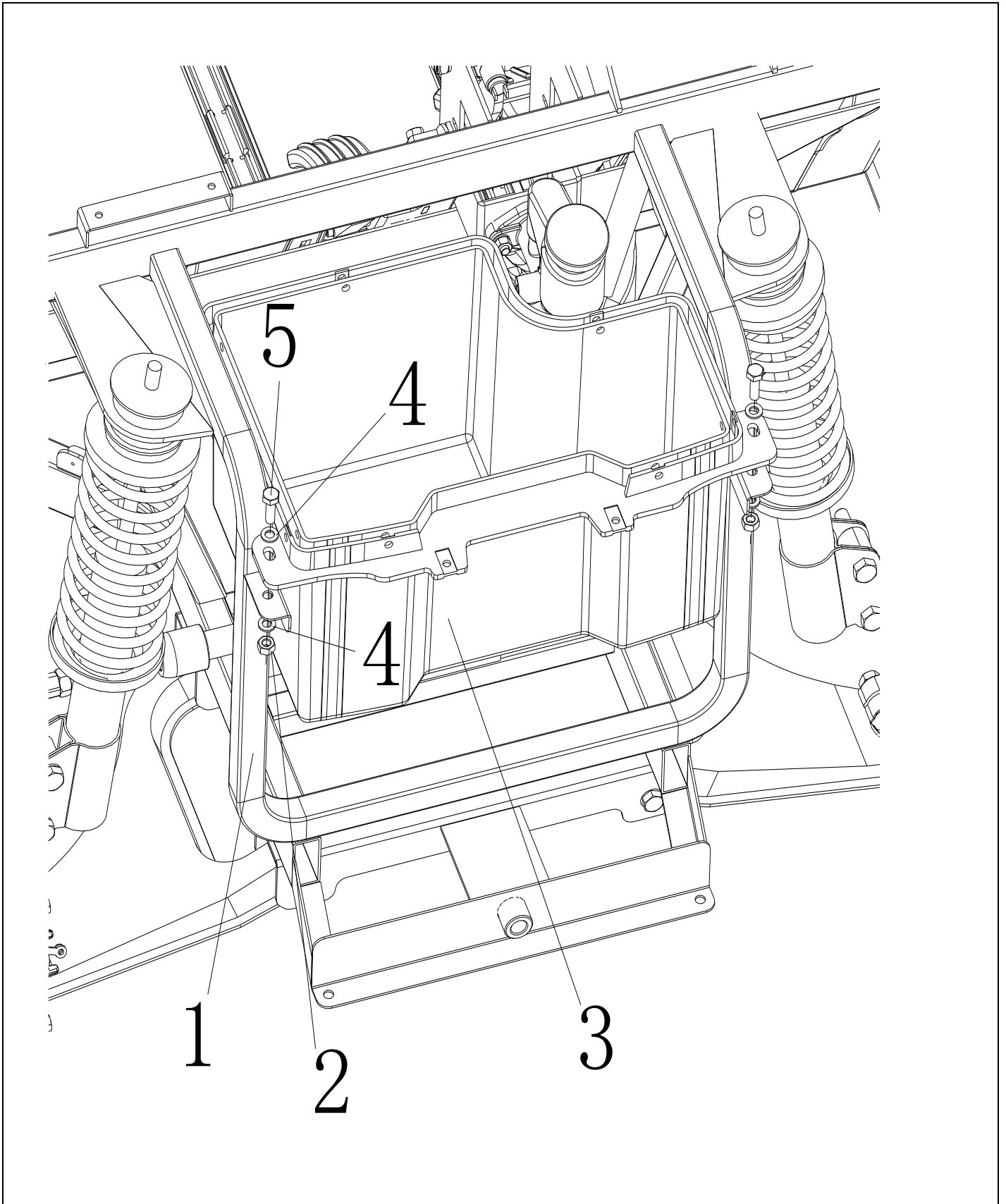


15

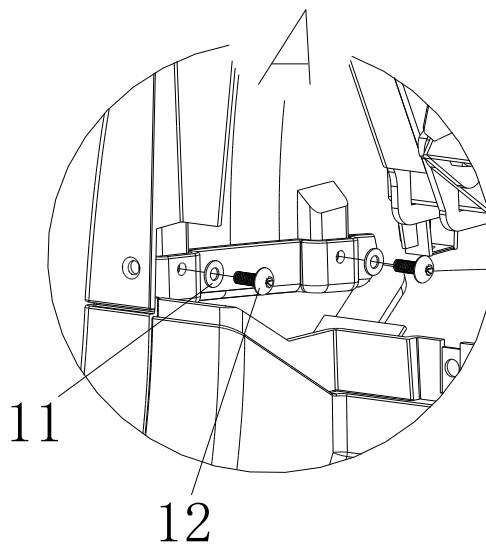
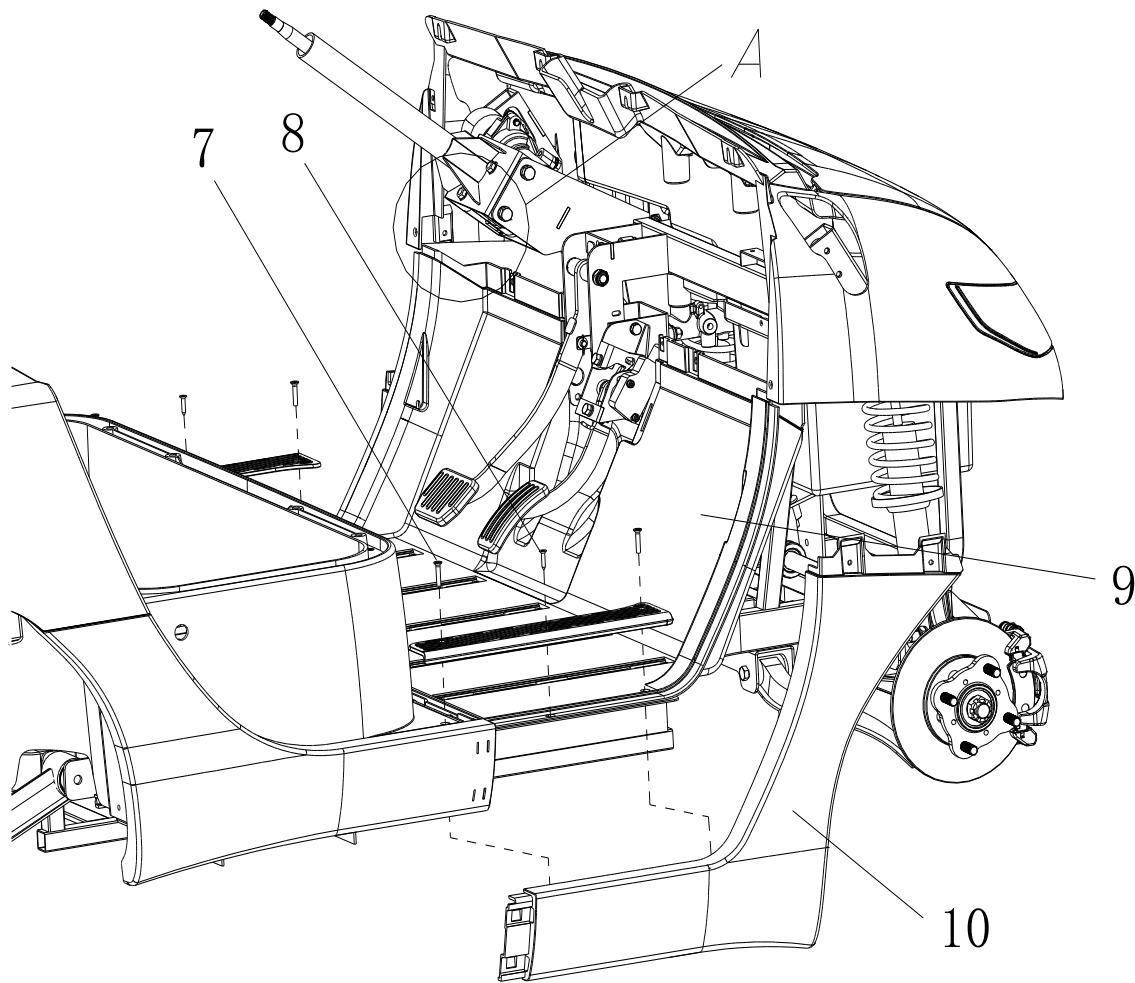
FRONT COWL INSTALLATION PRATS LIST

ITEM	PART NO.	PART DESCRIPTION	QTY.
1	2.04.1171	FRONT HEADLIGHT, PASSENGER SIDE	1
2	2.04.1170	FRONT HEADLIGHT, DRIVER SIDE	1
3	2.03.1374	FRONT COWL	1
4	1.02.0068	PAN HEAD SCREW, M6×15	6
5	1.02.0077	PAN HEAD SCREW, ST4.8×16	23
6	2.03.1123	INNER PANEL FOR FRONT HOOD	1
7	2.01.1950	LOCK FOR FRONT HOOD	1
8	2.03.1388	FRONT HOOD	1
9	2.07.0013	EVOLUTION TRADEMARK PLATE	1
10	2.03.1166	CENTER MOULDING COVER	1
11	1.01.0081	PAN HEAD SCREW, M6×30	2
12	2.04.1194	FRONT HOOD LOCK	1
13	1.01.0041	WASHER, M6	2
14	1.01.0030	HEX HEAD ANTI-LOOSE NUT, M6	2
15	/	PIN	2
16	1.02.0068	HEX HEAD BOLT, M6×15	2

FRONT COWL INSTALLATION



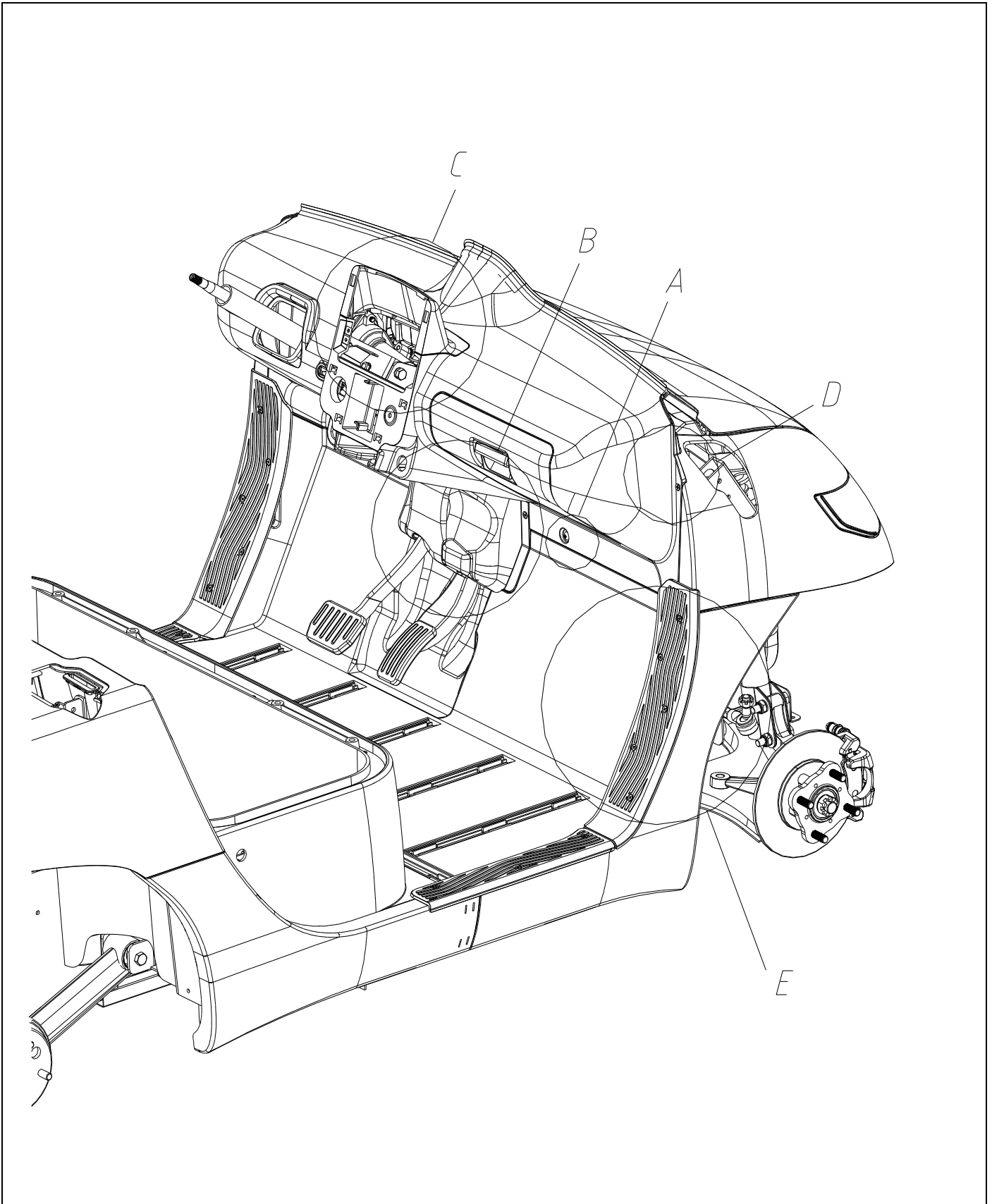
FRONT COWL INSTALLATION



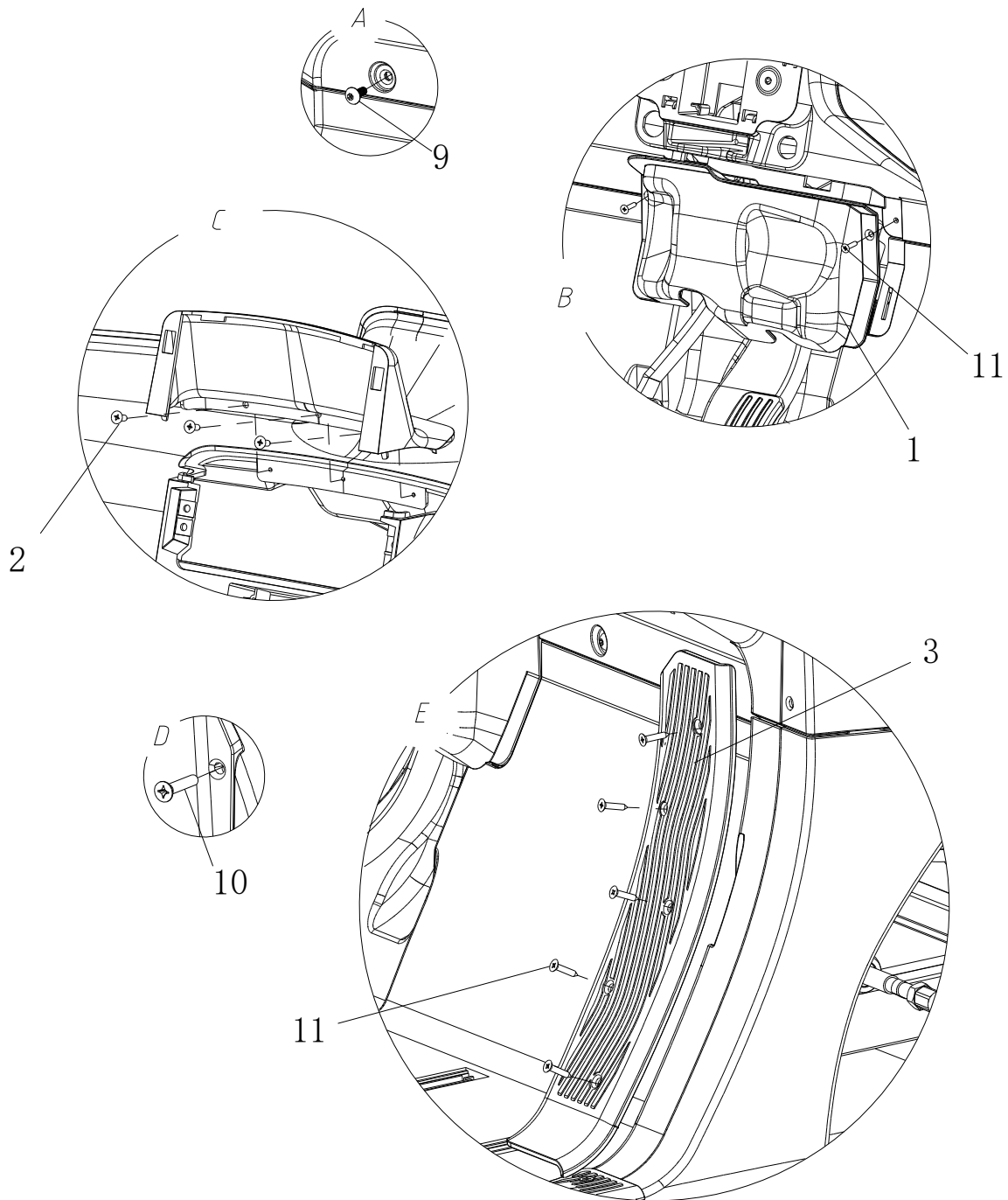
FRONT COWL INSTALLATION PRATS LIST

ITEM	PART NO.	PART DESCRIPTION	QTY.
1	2.01.1888	CHASSIS	1
2	1.01.0009	HEX HEAD NUT, M8	4
3	2.03.1121	FRONT STORAGE BOX	1
4	1.01.0007	WASHER, M8	8
5	1.03.0022	HEX HEAD BOLT, M8×25	4
6	1.01.0008	SNAP WASHER, M8	4
7	1.01.0081	PAN HEAD SCREW, M6×30	6
8	1.02.0080	PAN HEAD SCREW, ST4.8×25	21
9	2.03.1101	MOUTING BASE FLOOR	1
10	2.03.1409	FRONT SIDE PANEL, PASSENGER SIDE	1
11	1.01.0028	EXTRA LARGE WASHER, M6	8
12	1.02.0068	PAN HEAD SCREW, M6×15	8

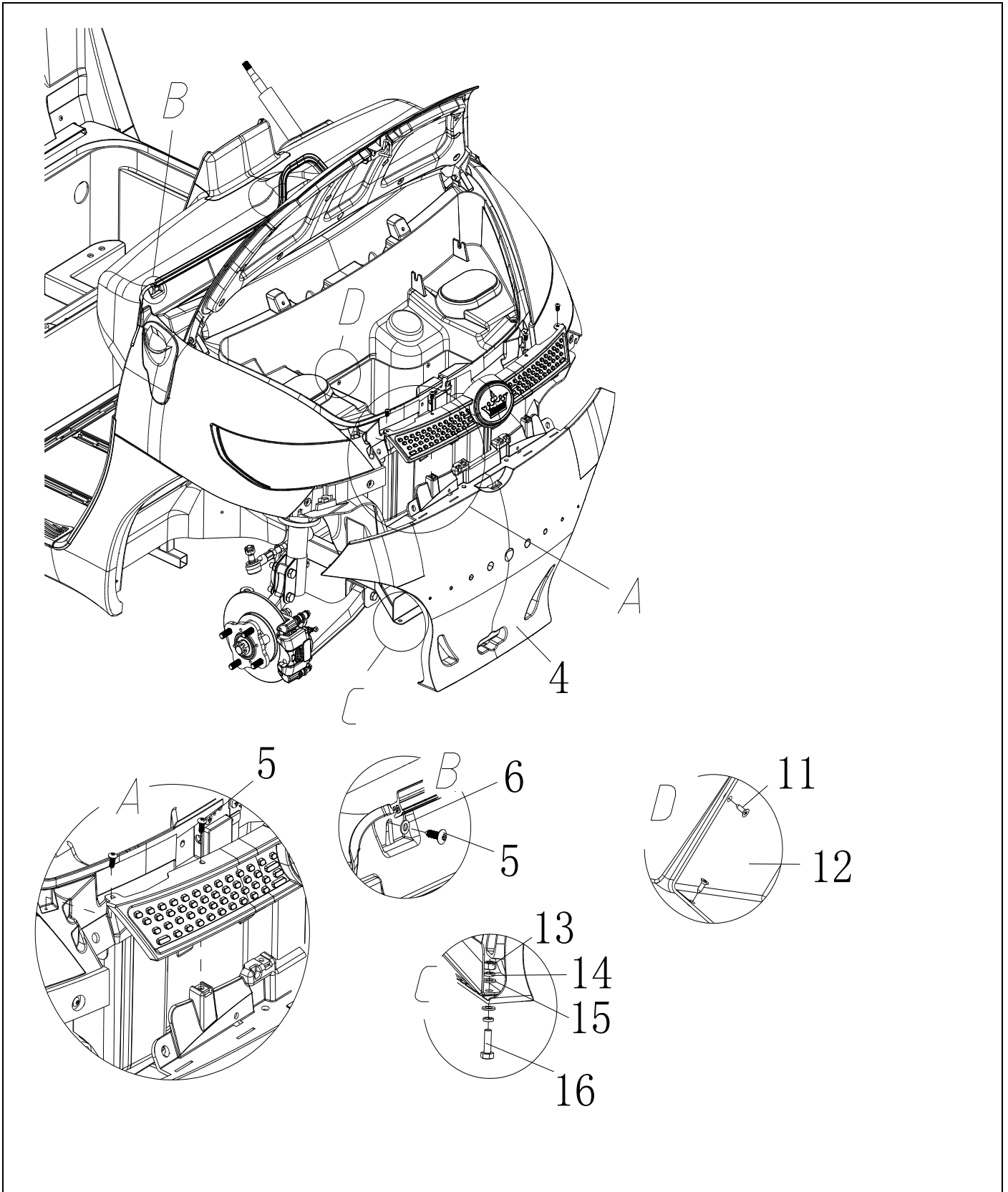
FRONT COWL INSTALLATION



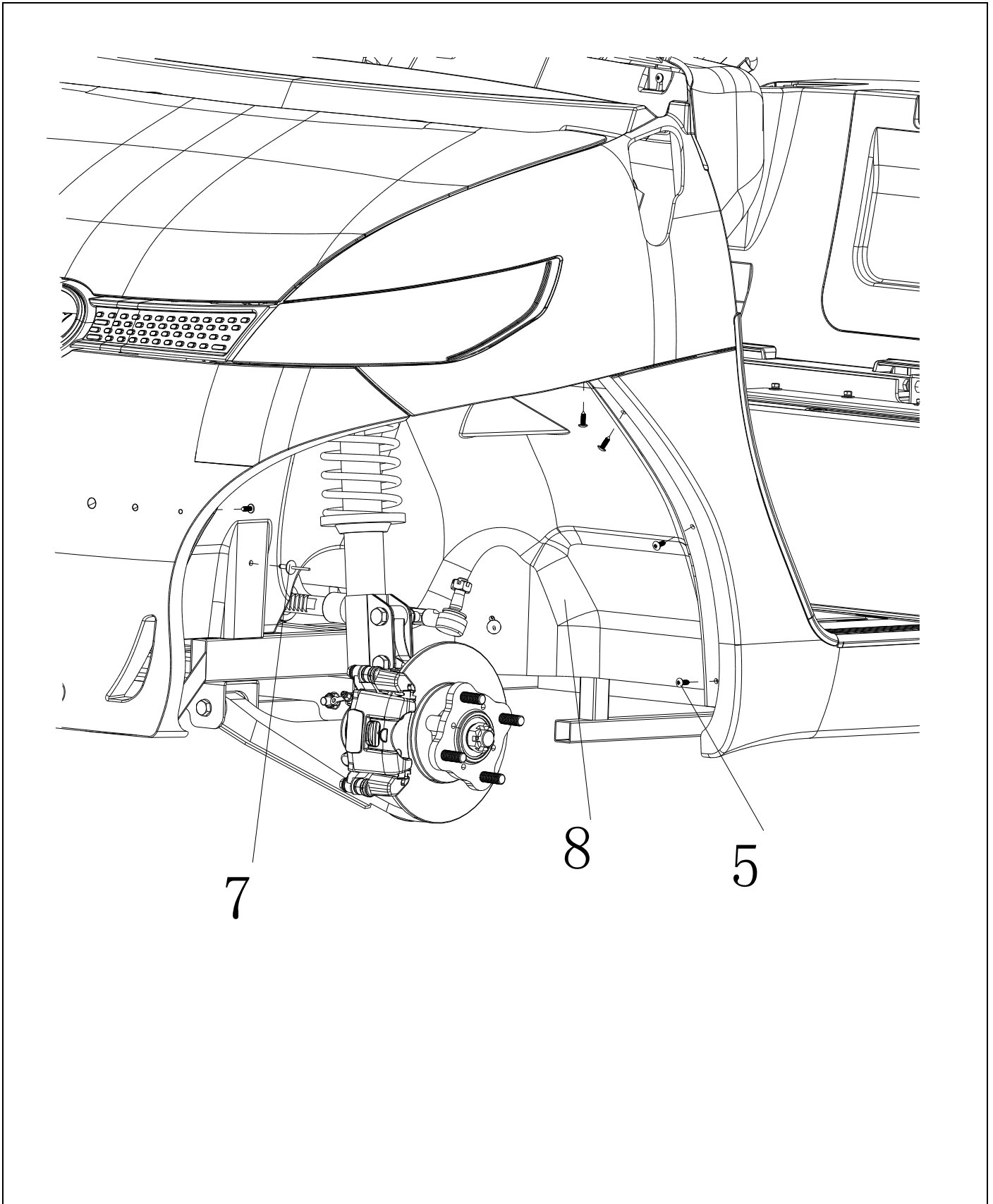
FRONT COWL INSTALLATION



FRONT COWL INSTALLATION



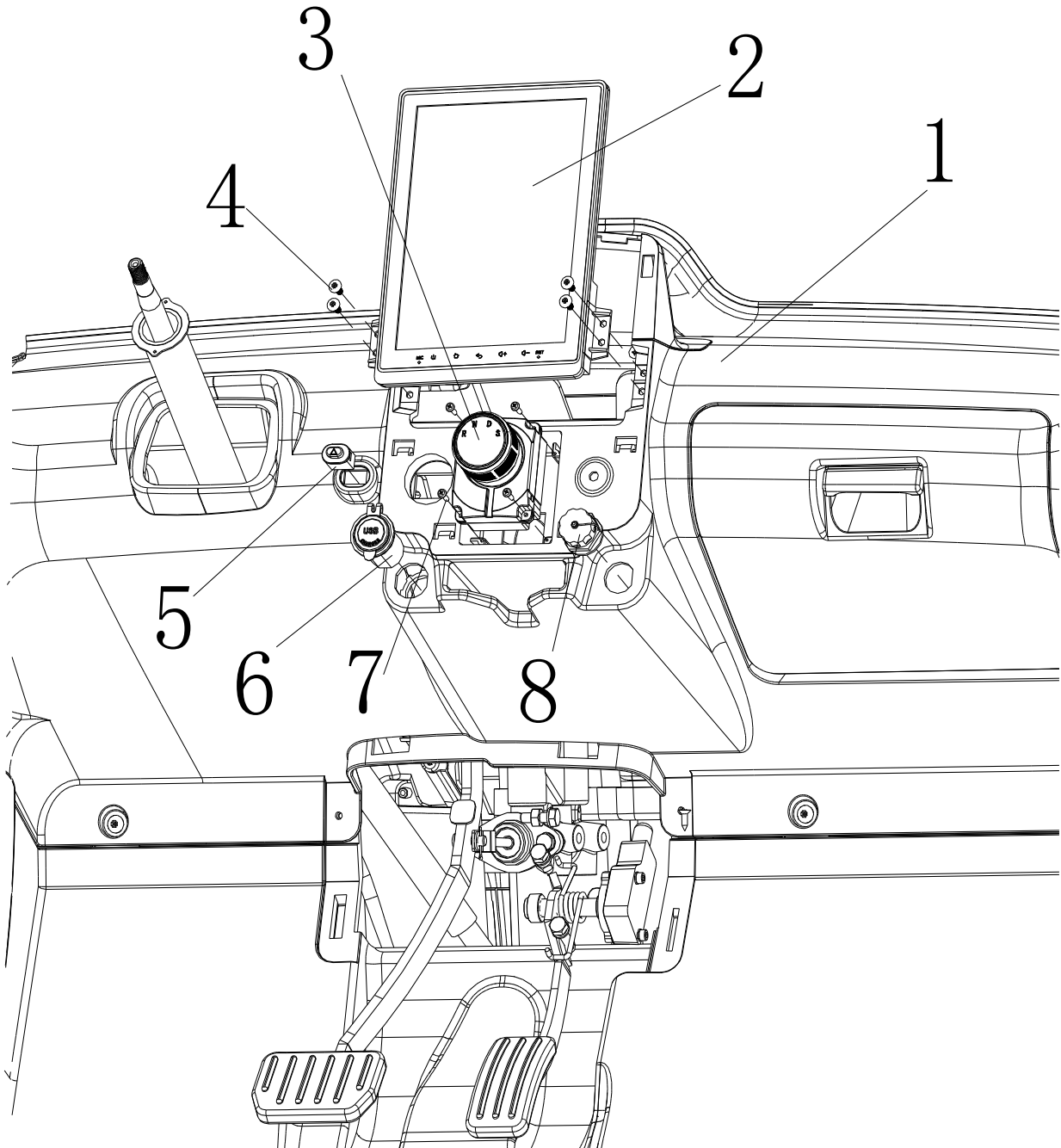
FRONT COWL INSTALLATION



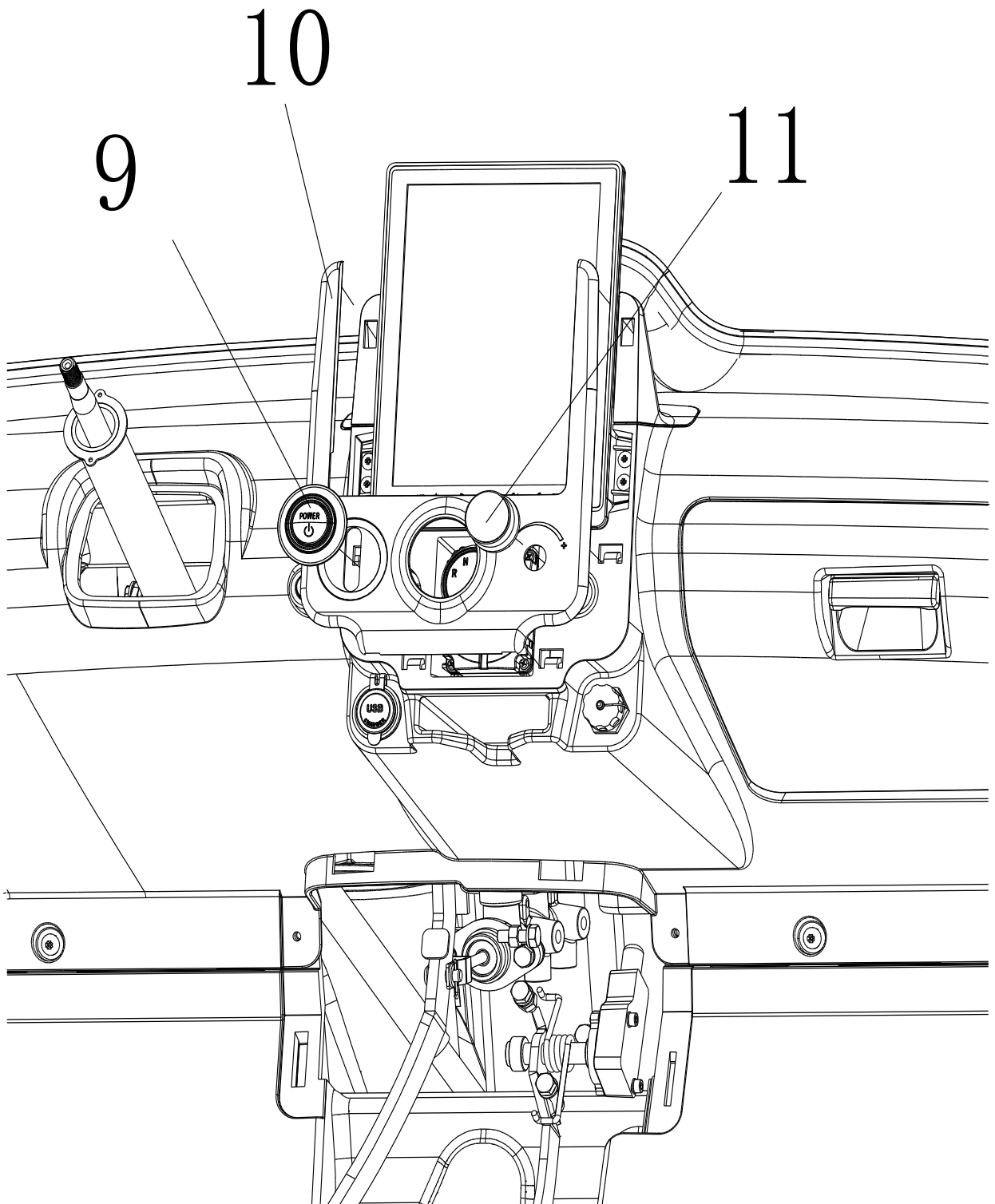
FRONT COWL INSTALLATION PRATS LIST

ITEM	PART NO.	PART DESCRIPTION	QTY.
1	2.03.1131	BRAKE PEDAL COVER	1
2	1.02.0077	PAN HEAD SCREW, ST4.8×16	9
3	2.03.1181	PROTECTIVE FOOTSTEP A, PASSENGER SIDE	1
4	2.03.1381	FRONT BUMPER, D3	1
5	1.01.0196	PAN HEAD SCREW, ST4.8×25	8
6	1.01.0041	WASHER, M6	4
7	1.08.0010	RIVET, Φ5×18	4
8	2.03.1099	FRONT WHEEL INNER PANEL, DRIVER SIDE	1
9	1.02.0068	PAN HEAD SCREW, M6×15	8
10	1.01.0081	PAN HEAD SCREW, M6×30	6
11	1.02.0080	PAN HEAD SCREW, ST4.8×25	21
12	2.03.1121	FRONT STORAGE BOX	1
13	1.01.0009	HEX HEAD NUT, M8	4
14	1.01.0008	SNAP WASHER, M8	4
15	1.01.0007	WASHER, M8	8
16	1.03.0022	HEX HEAD BOLT, M8×25	4

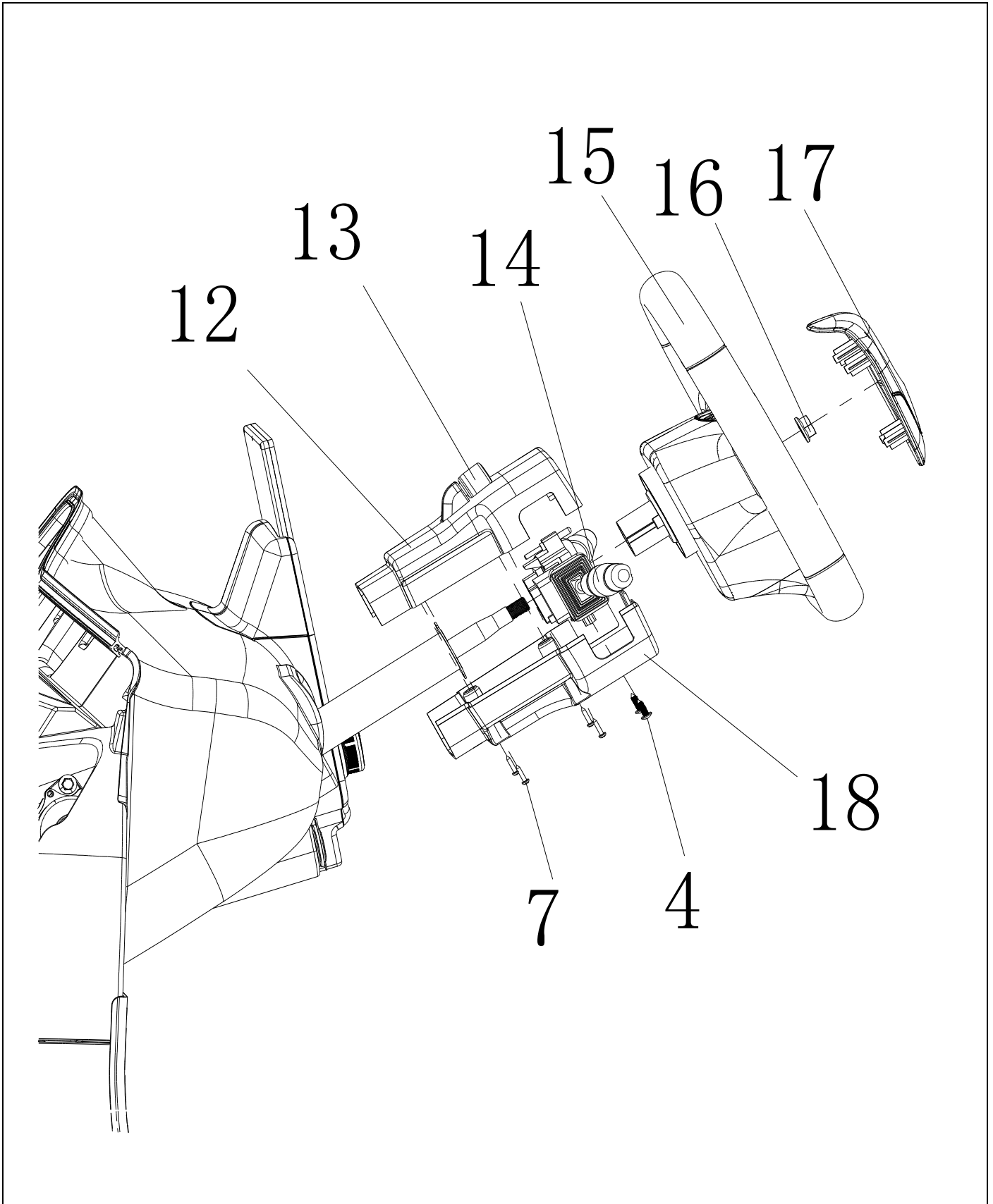
DASH BOARD INSTALLATION



DASH BOARD INSTALLATION



DASH BOARD INSTALLATION



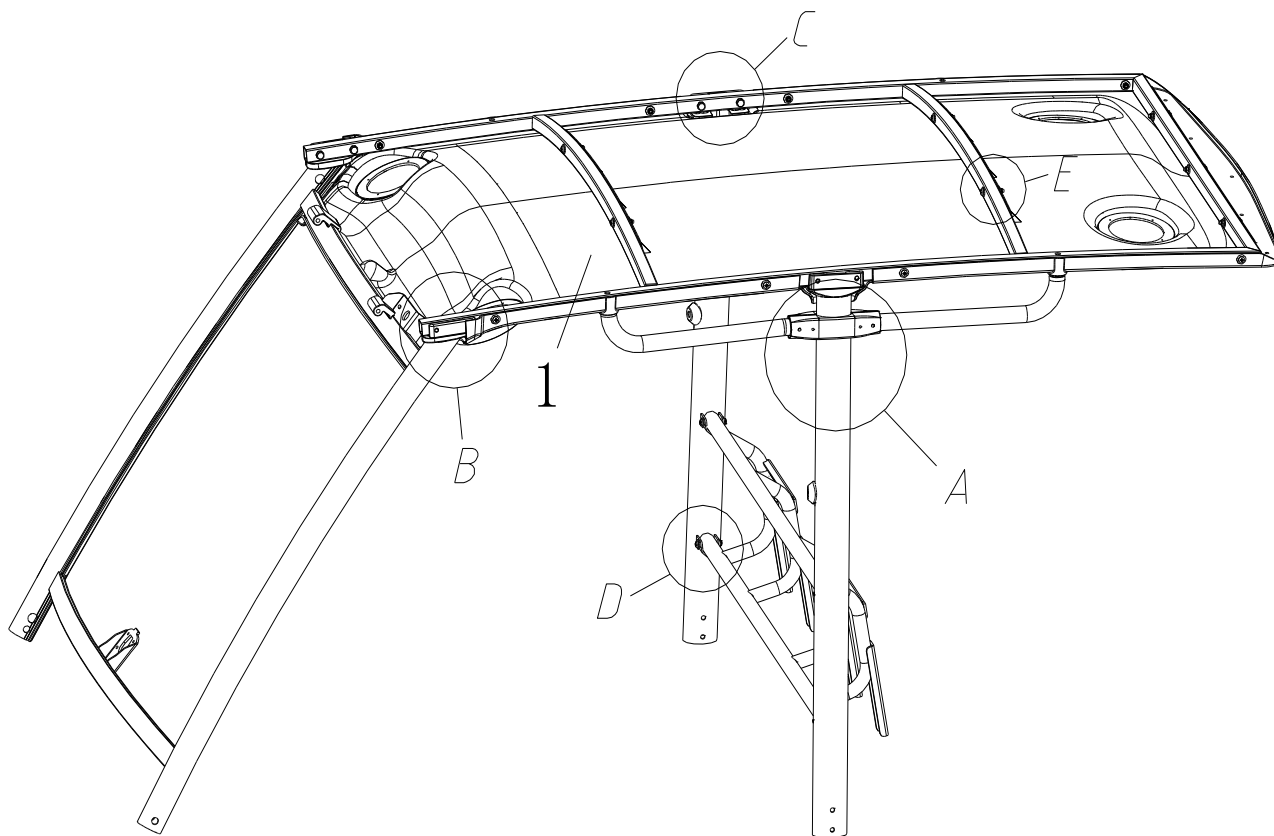
DASH BOARD INSTALLATION PRATS LIST

ITEM	PART NO.	PART DESCRIPTION	QTY.
1	2.03.1113	DASH	1
2	2.04.1150	TOUCHSCREEN, 9.7INCH,12V	1
3	2.04.1176	DIRECTION SHIFTING SWITCH(R/N/D/S)	1
4	1.02.0068	PAN HEAD SCREW, M6×15	4
5	2.04.1180	HAZARD LIGHT SWITCH	1
6	2.04.0920	12V USB CHARGE PORT	1
7	1.01.0240	PAN HEAD SCREW, ST3,5×25	4
8	2.04.0891	USB PORT FOR 9" TOUCHSCREEN	1
9	2.04.1175	POWER PUSH BUTTON START SYSTEM, 48V	1
10	2.03.1367	DECORATIVE COVER FOR 9.7 INCH TOUCHSCREEN	1
11	2.04.1178	VOLUME KNOB	1
12	2.03.1117	STEERING COLUMN COVER, UPPER	1
13	2.04.1088	MICROPHONE	1
14	2.04.1017	COMBINATION SWITCH	1
15	2.03. 0184	STEERING WHEEL	1
16	1.03.0131	FLANGE NUT FOR STEERING WHEEL, M12	1

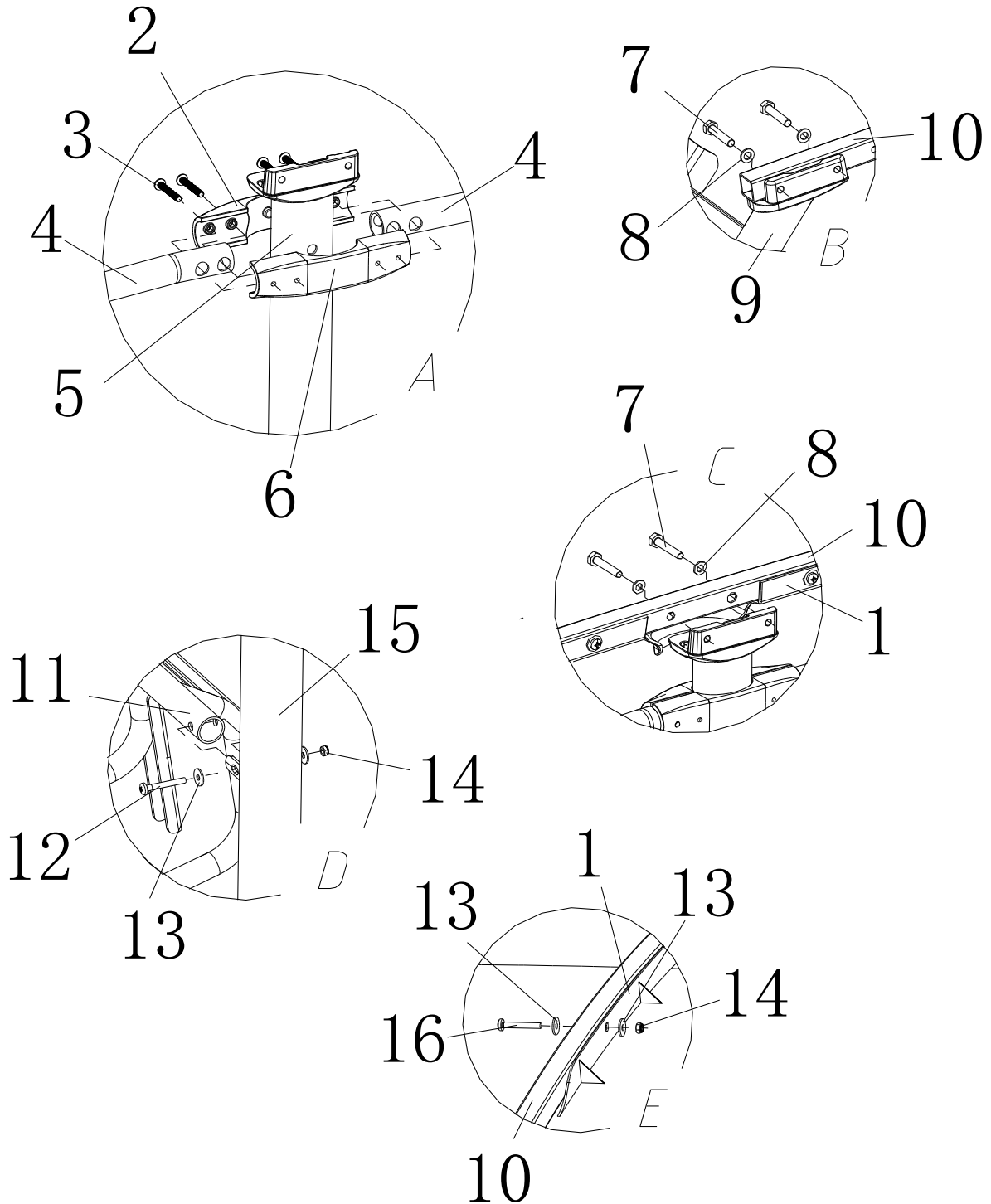
DASH BOARD INSTALLATION PRATS LIST

ITEM	PART NO.	PART DESCRIPTION	QTY.
17	2.07.0024	LOGO STICKER FOR STEERING WHEEL	1
18	2.03.1118	STEERING COLUMN COVER, LOWER	1

CANOPY ASSMSEMBLY INSTALLATION



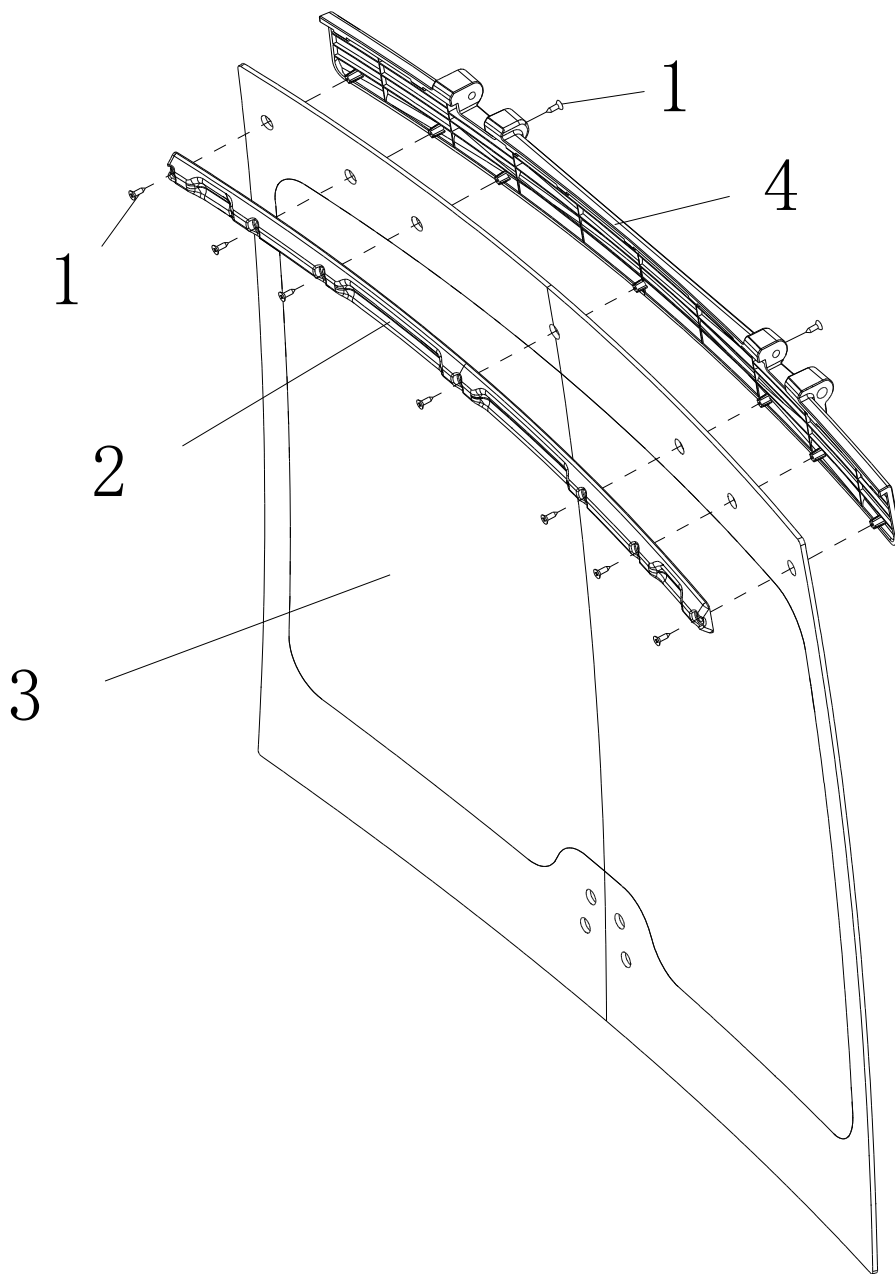
CANOPY ASSMEMBLY INSTALLATION



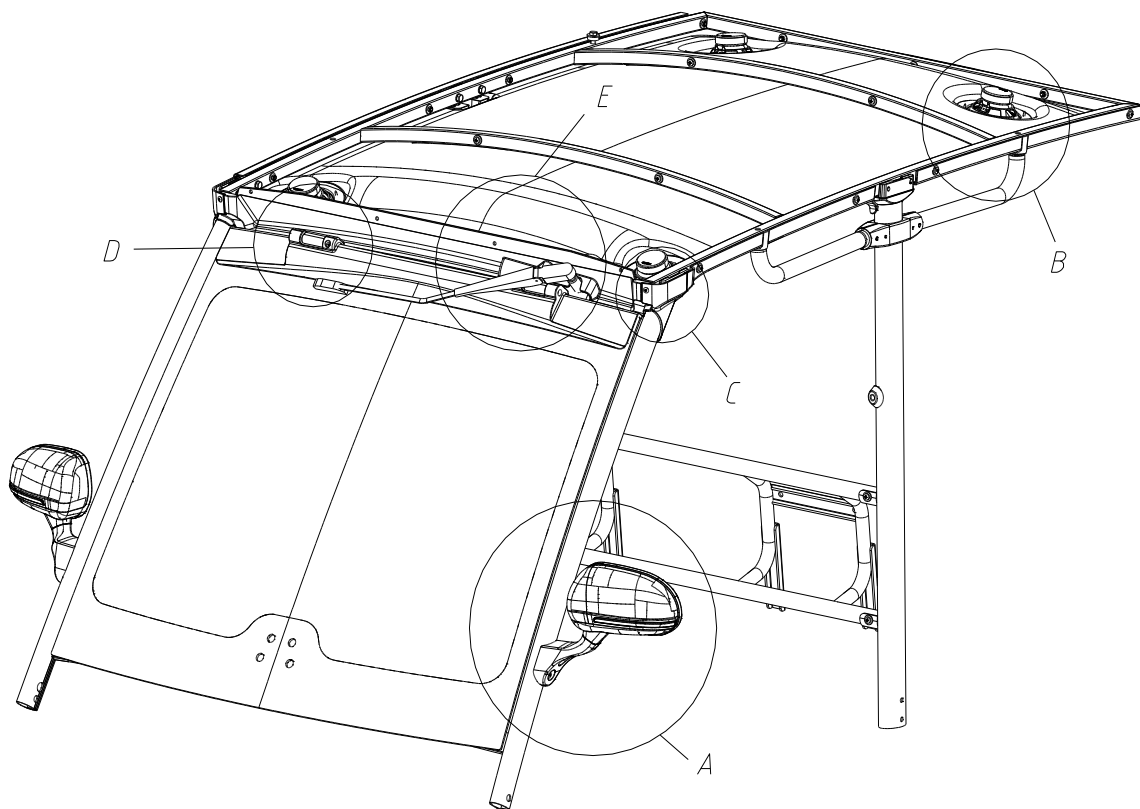
CANOPY ASSMEMBLY INSTALLATION PARTS LIST

ITEM	PART NO.	PART DESCRIPTION	QTY.
1	2.03.1149	INNER PANEL FOR ROOF	1
2	2.01.1905	MOUNTING BASE 1 FOR REAR ROOF HANDLE	1
3	1.01.0194	HEXAGON SOCKET HEAE CAP SCREWS, M6×45	8
4	2.01.1909	ROOF HANDLE	4
5	2.01.1910	REAR ROOF STRUT	2
6	2.01.1904	MOUNTING BASE 2 FOR REAR ROOF HANDLE	1
7	1.03.0094	HEX HEAD BOLT, M8×40	8
8	1.01.0007	WASHER, M8	8
9	2.01.1908	FRONT ROOF STRUT	1
10	2.01.1906	ROOF MOUNTING FRAME	1
11	2.01.1903	SEAT BACK BRACKET	1
12	1.01.0083	PAN HEAD SCREW, M6×45	4
13	1.01.0028	EXTRA LARGE WASHER, M6	46
14	1.01.0030	HEX HEAD ANTI-LOOSE NUT, M6	4
15	1.01.0042	SNAP WASHER, M6	4
16	1.01.0185	PAN HEAD SCREW, M6×40	15

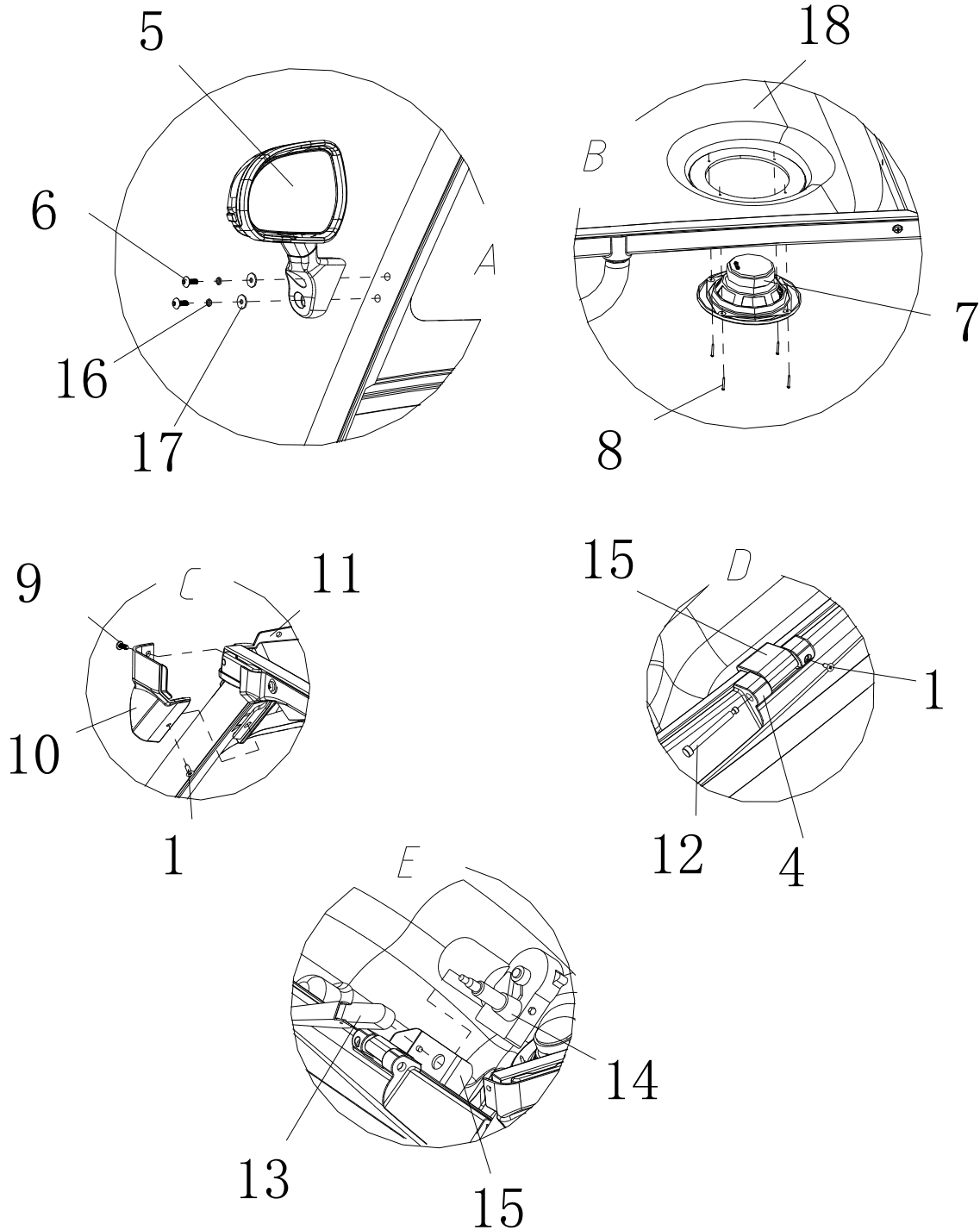
CANOPY ASSMSEMBLY INSTALLATION



CANOPY ASSMEMBLY INSTALLATION



CANOPY ASSMEMBLY INSTALLATION



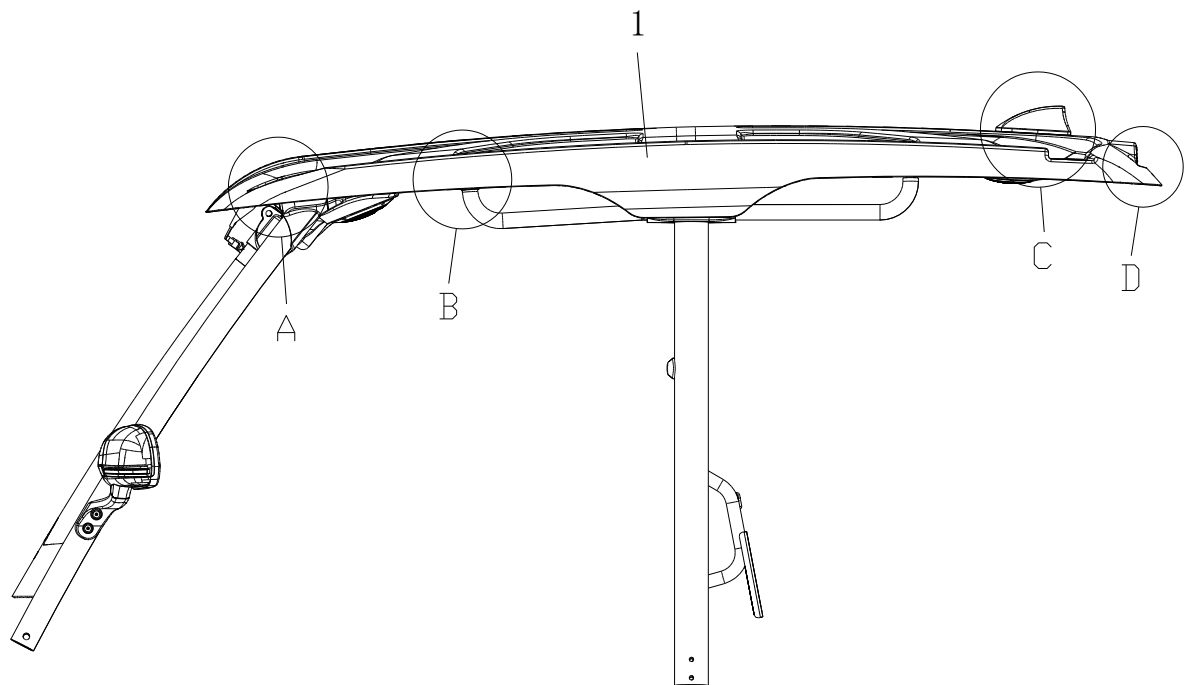
CANOPY ASSMEMBLY INSTALLATION PARTS LIST

ITEM	PART NO.	PART DESCRIPTION	QTY.
1	1.02.0002	PAN HEAD SCREW, ST4.8×16	11
2	2.03.1152	WINDSHIELD INSTALLATION STRIP	1
3	2.05.0045	GLASS WINDSHIELD	1
4	2.03.1151	DECORATIVE PLATE FOR WINDSHILED	1
5	2.03.1465	SIDE MIRROR, DRIVER SIDE	1
6	1.02.0068	PAN HEAD SCREW, M6×15	8
7	2.04.1192	SPEARKERS, 4Q20W	4
8	1.01.0197	PAN HEAD SCREW, ST2.9×25	
9	1.02.0077	PAN HEAD SCREW, ST4.8×16	2
10	2.03.1153	PLASTIC COVER FOR A-PILLER, DRIVER SIDE	1
11	2.03.1150	FRONT ROOF DECORATIVE PLATE	1
12	2.01.2005	WINDSHILED MOUNTING AXLE	2
13	2.04.1147	WIPER ARM	1
14	2.04.1146	WIPER MOTOR, ZD162-12V-40W	1
15	2.01.1906	ROOF MOUNTING FRAME	1
16	1.01.0042	SNAP WASHER, M6	4

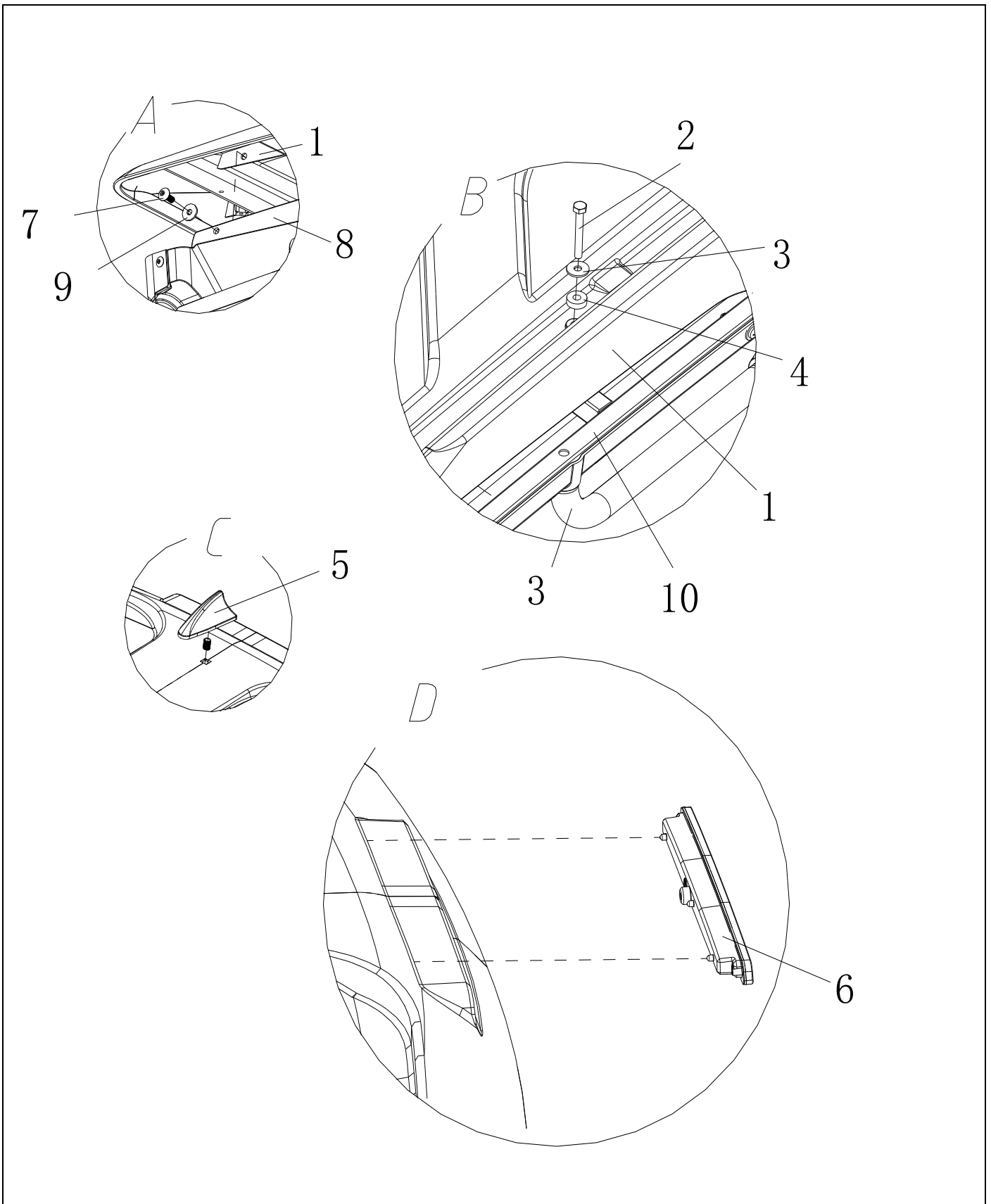
CANOPY ASSMEMBLY INSTALLATION PARTS LIST

ITEM	PART NO.	PART DESCRIPTION	QTY.
17	1.01.0028	EXTRA LARGE WASHER, M6	46
18	2.03.1149	INNER PANEL FOR ROOF	1

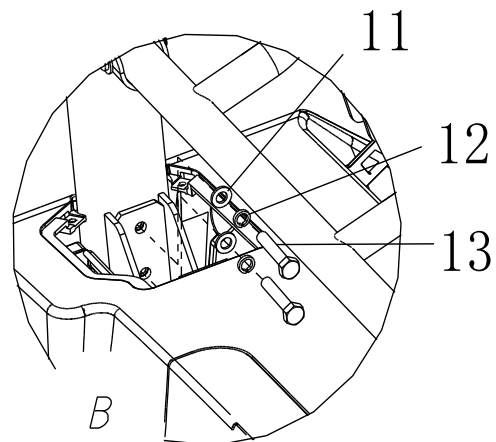
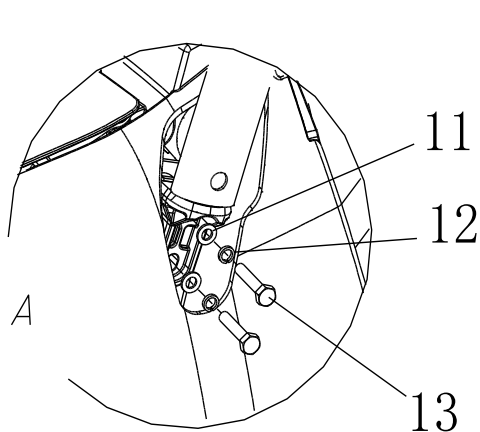
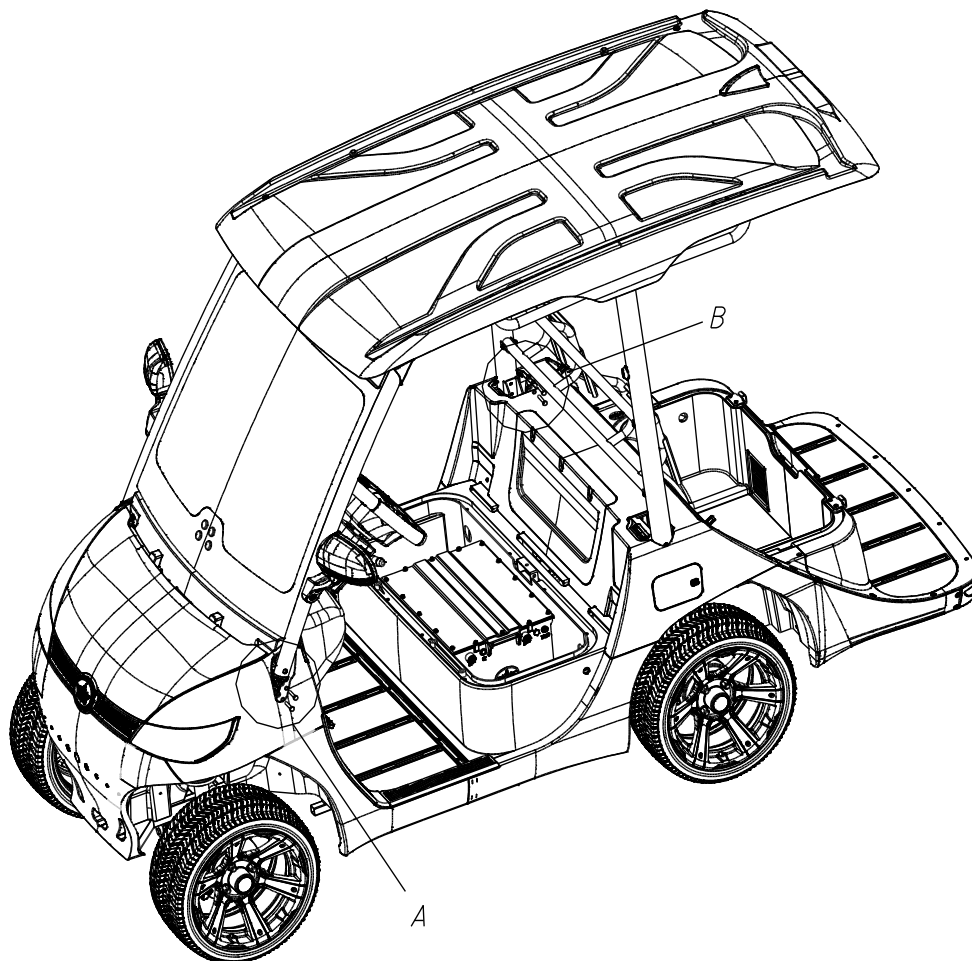
CANOPY ASSMSEMBLY INSTALLATION



CANOPY ASSMEMBLY INSTALLATION



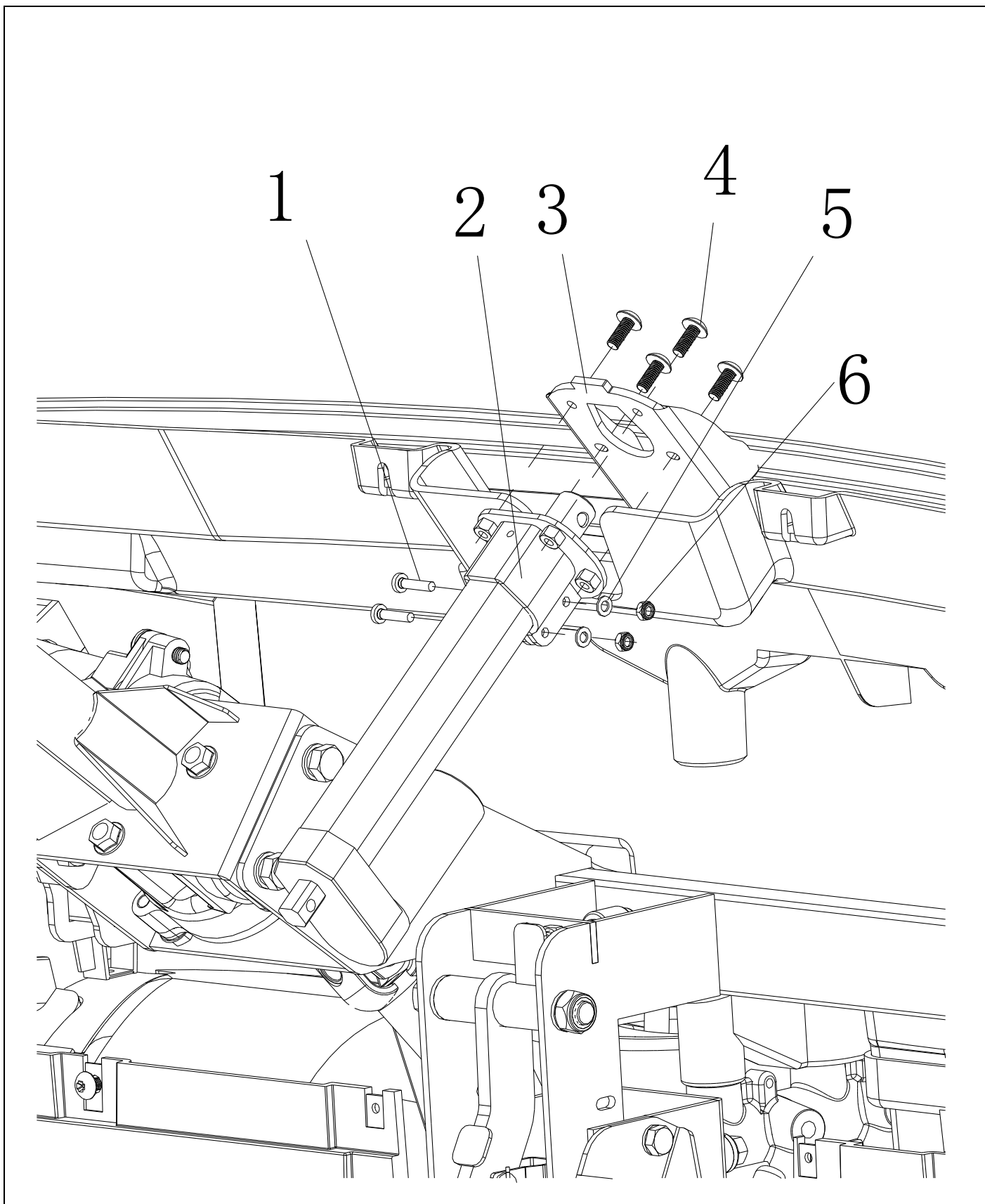
CANOPY ASSEMBLY INSTALLATION



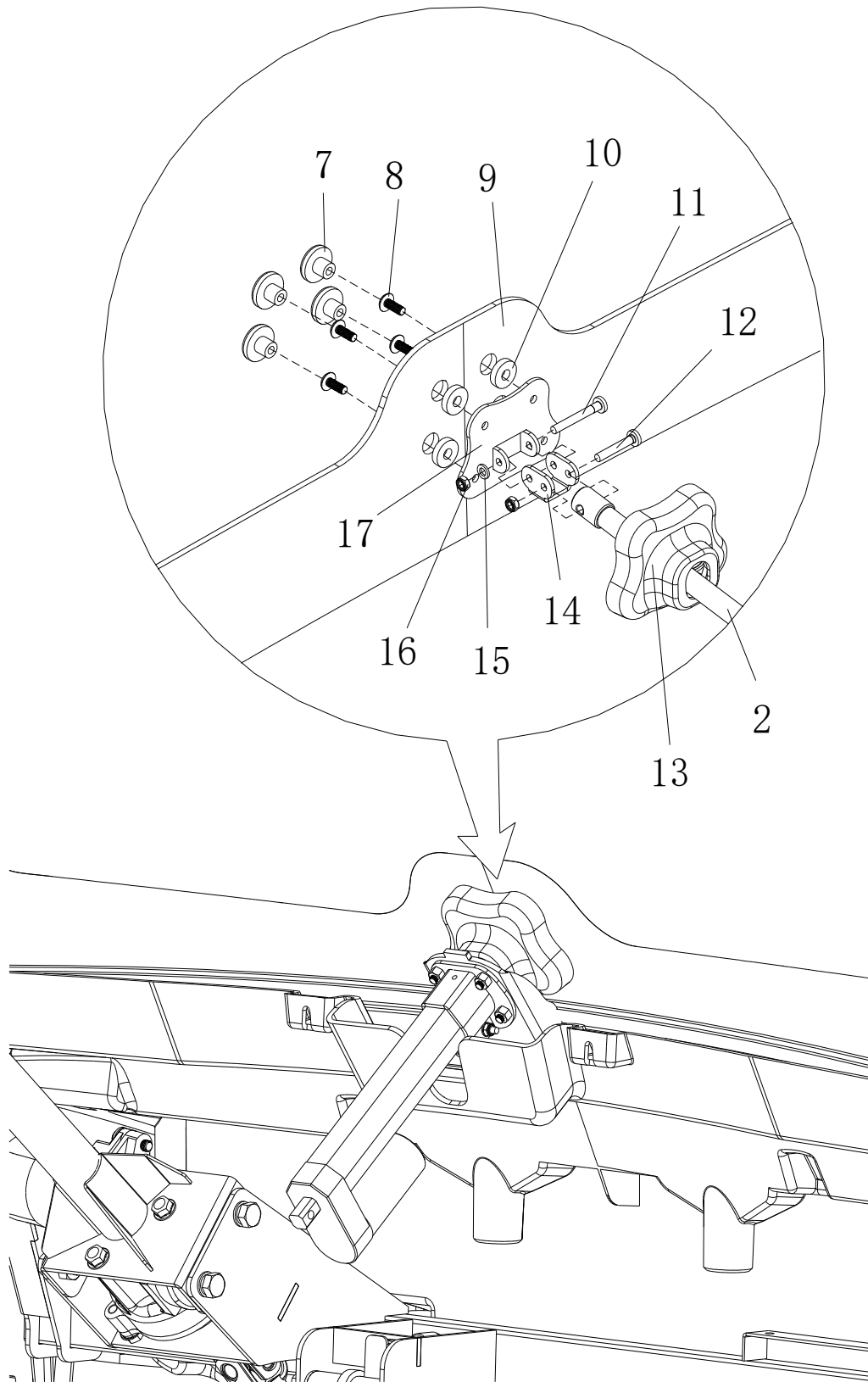
CANOPY ASSMEMBLY INSTALLATION PARTS LIST

ITEM	PART NO.	PART DESCRIPTION	QTY.
1	2.03.1444	ROOF	1
2	1.01.0086	HEX HEAD BOLT, M8×60	4
3	1.01.0026	EXTRA LARGE WASHER, M8	4
4	2.03.0071	RUBBER SEAL	4
5	2.04.1191	RADIO SHARK FIN ANTENNA	1
6	2.04.1174	HIGH-MOUNT BRAKE LIGHT	1
7	1.02.007	PAN HEAD SCREW, ST4.8×16	2
8	2.03.1150	FRONT ROOF DECORATIVE PLATE	1
9	1.01.0028	EXTRA LARGE WASHER, M6	46
10	2.03.1149	INNER PANEL FOR ROOF	1
11	1.01.0007	WASHER, M8	8
12	1.01.0042	SNAP WASHER, M8	4
13	1.03.0094	HEX HEAD BOLT, M8×40	8

ELECTRIC PUSH ROD INSTALLATION



ELECTRIC PUSH ROD INSTALLATION



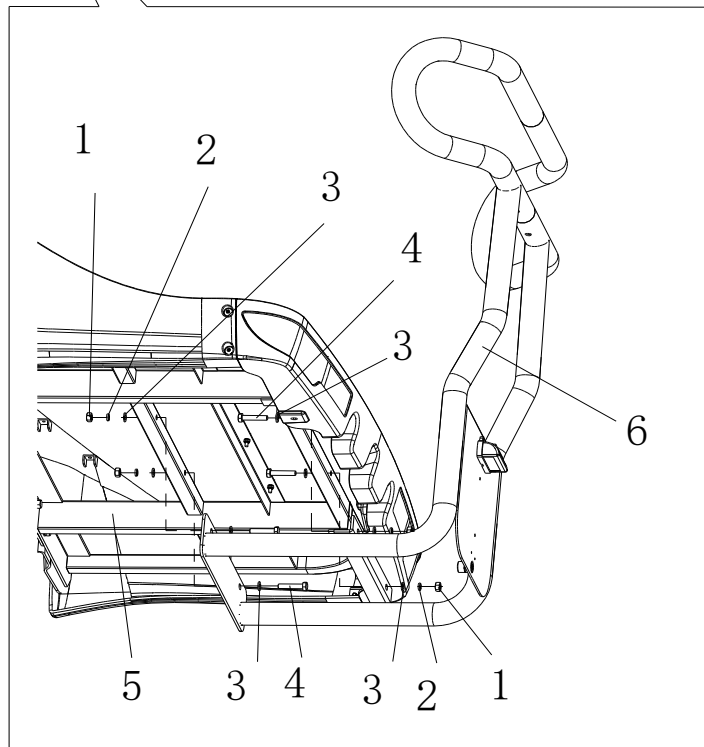
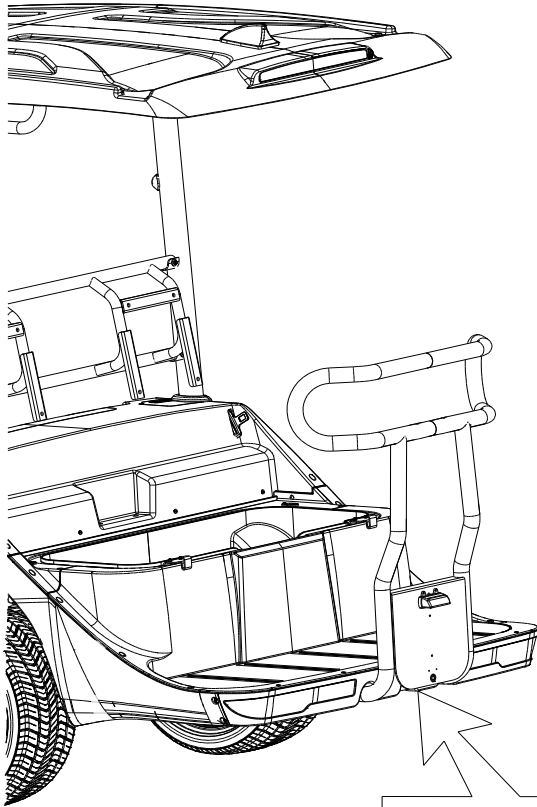
SEATS INSTALLATION PARTS LIST

ITEM	PART NO.	PART DESCRIPTION	QTY.
1	1.01.0076	PAN HEAD SCREW, M5×20	2
2	2.04.1149	ELECTRIC PUSH ROD FOR GLASS WINDSHIELD	1
3	2.01.1908	FRONT ROOF STRUT	1
4	1.02.0023	PAN HEAD SCREW, M6×25	4
5	1.01.0003	WASHER, M5	2
6	1.01.0018	HEX HEAD ANTI-LOOSE NUT, M5	2
7		DECORATIVE CAP FOR ELECTRIC PUSH POD	4
8	1.02.0068	PAN HEAD SCREW, M6×15	4
9	2.05.0045	GLASS WINDSHIELD	1
10	2.03.0071	RUBBER SEAL	4
11	1.01.0062	PAN HEAD SCREW, M6×40	1
12	1.01.0081	PAN HEAD SCREW, M6×30	1
13	2.03.1137	RUBBER COVER FOR ELECTRIC PUSH ROD	1
14	2.01.1899	ADAPTING PIECE FOR ELECTRIC PUSH ROD OF WINDSHIELD	1
15	1.01.0041	WASHER, M6	1

SEATS INSTALLATION PARTS LIST

ITEM	PART NO.	PART DESCRIPTION	QTY.
16	1.01.0030	HEX HEAD ANTI-LOOSE NUT, M6	2
17	2.01.1898	SUPPORT BRACKET FOR ELECTRIC PUSH ROD OF WINDSHIELD	1

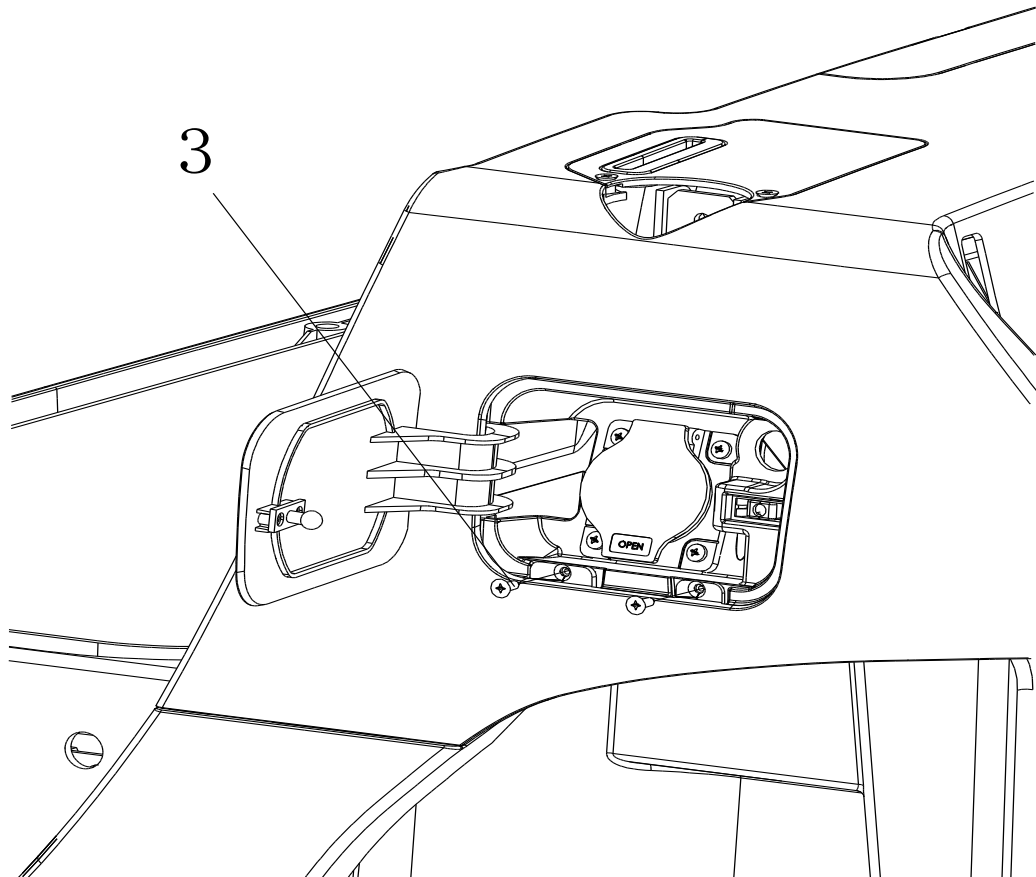
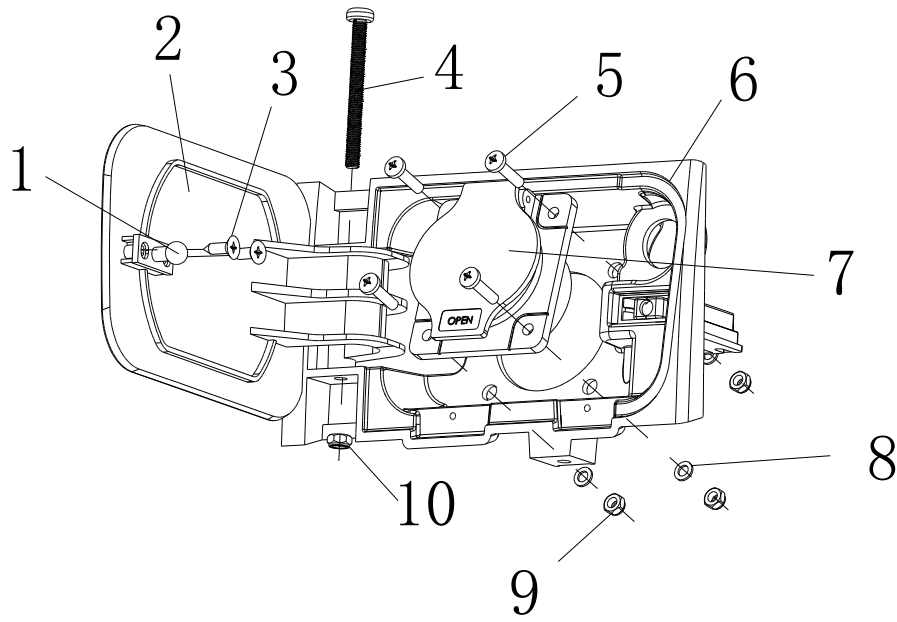
REAR SEAT KIT INSTALLATION



CANOPY ASSMEMBLY INSTALLATION PARTS LIST

ITEM	PART NO.	PART DESCRIPTION	QTY.
1	1.01.0027	HEX HEAD ANTI-LOOSE NUT, M8	4
2	1.01.0008	SNAP WASHER, M8	4
3	1.01.0007	WASHER, M8	8
4	1.03.0017	HEX HEAD BOLT, M8×30	4
5	2.01.1888	CHASSIS	1
6	2.01.1901	REAR ARMREST	1

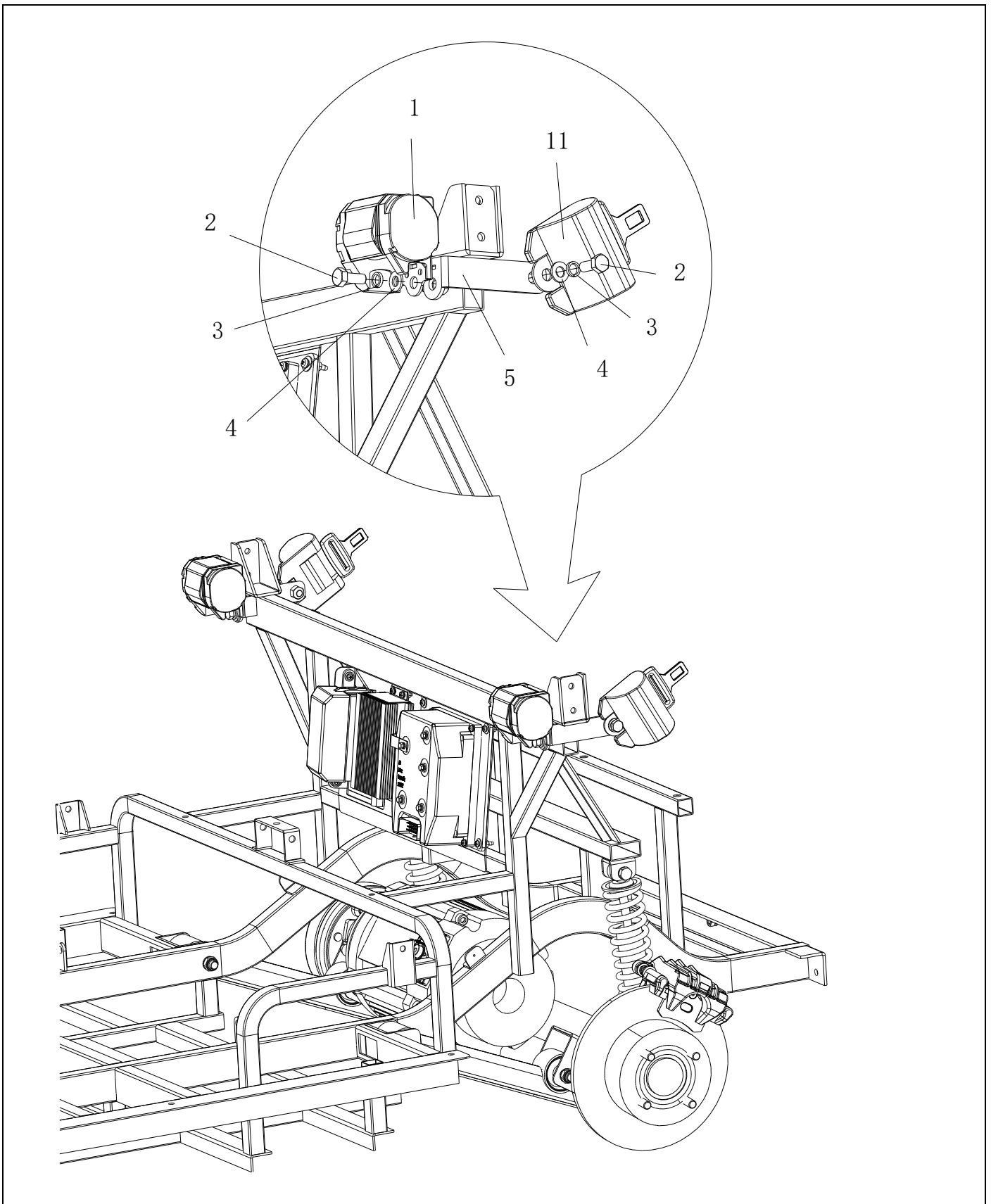
CHARGE PORT INSTALLATION



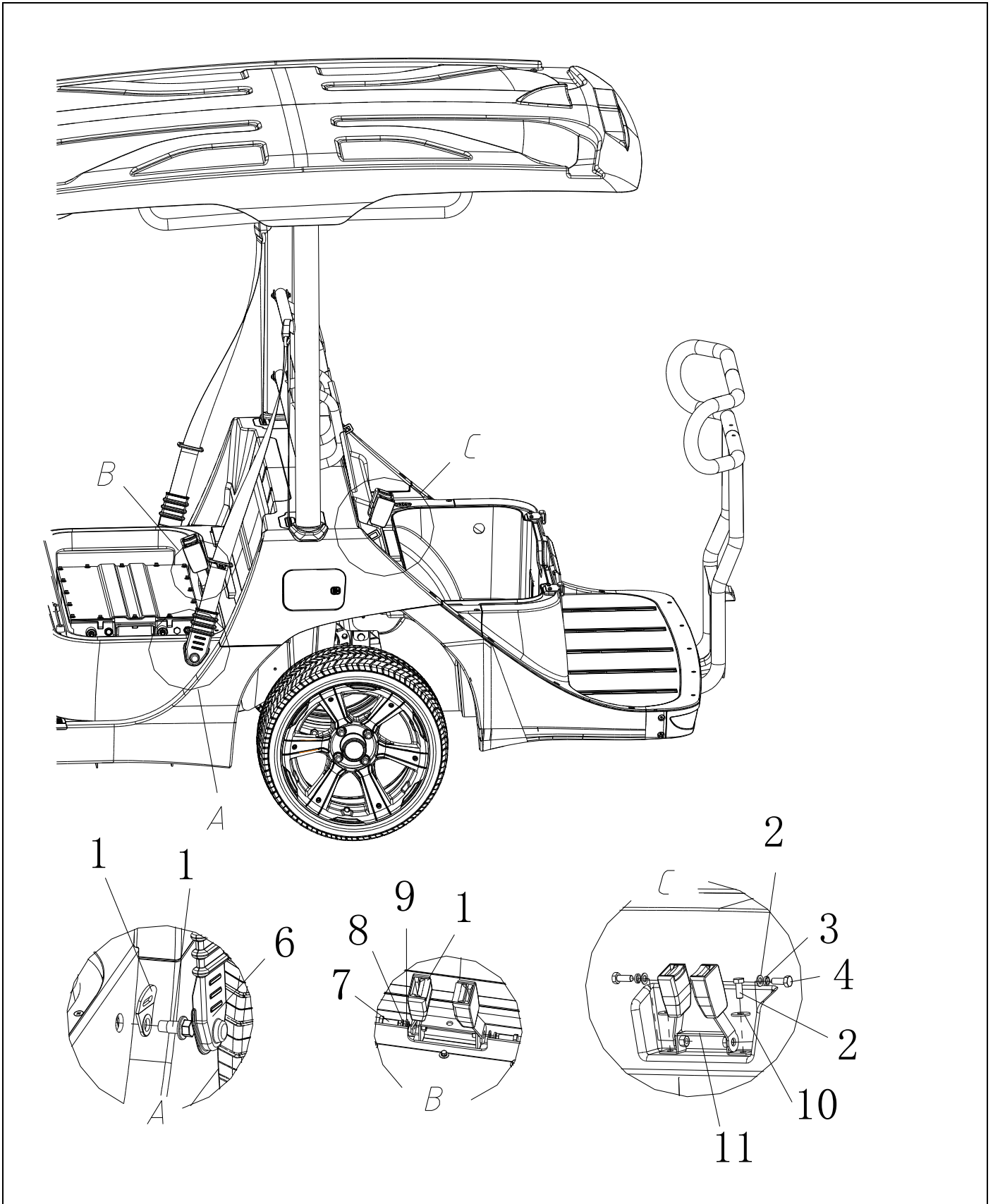
CHARGE PORT INSTALLATION PARTS LIST

ITEM	PART NO.	PART DESCRIPTION	QTY.
1	2.03.1108	DOOR FOR CHARGER PORT	1
2	2.03.1353	CHARGE PORT COVER	1
3	1.02.0077	PAN HEAD SCREW, ST4.8×16	4
4	1.01.0055	PAN HEAD SCREW, M6×65	1
5	1.01.0076	PAN HEAD SCREW, M5×20	1
6	2.03.1106	MOUNTING BASE FOR CHARGE PORT	1
7	2.04.0602	CHARGE RECEPTACLE	1
8	1.01.0004	WASHER, M5	4
9	1.01.0018	HEX HEAD ANTI-LOOSE NUT, M5	4
10	1.01.0030	HEX HEAD ANTI-LOOSE NUT, M6	1

SAFETY BELT INSTALLATION



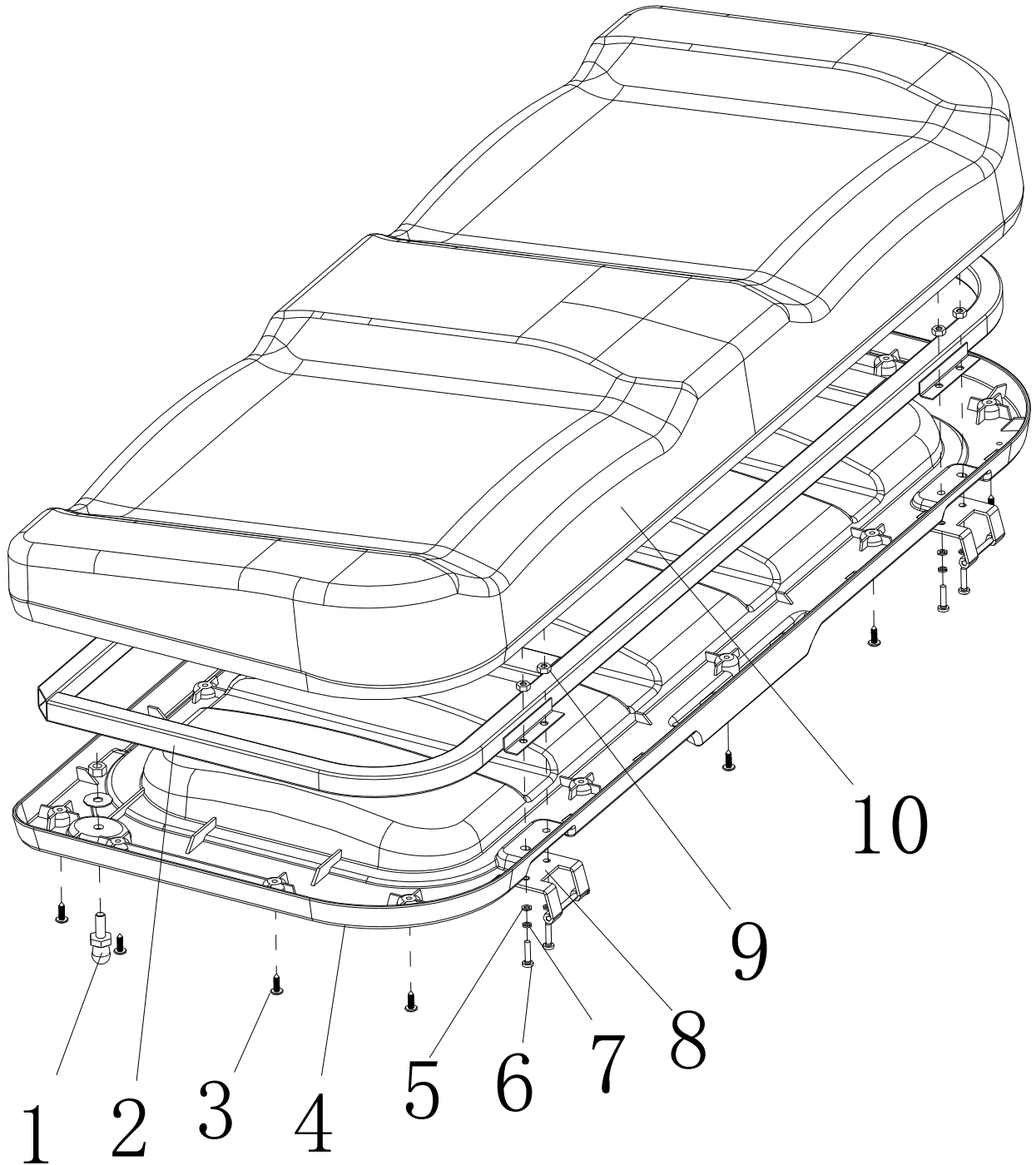
SAFETY BELT INSTALLATION



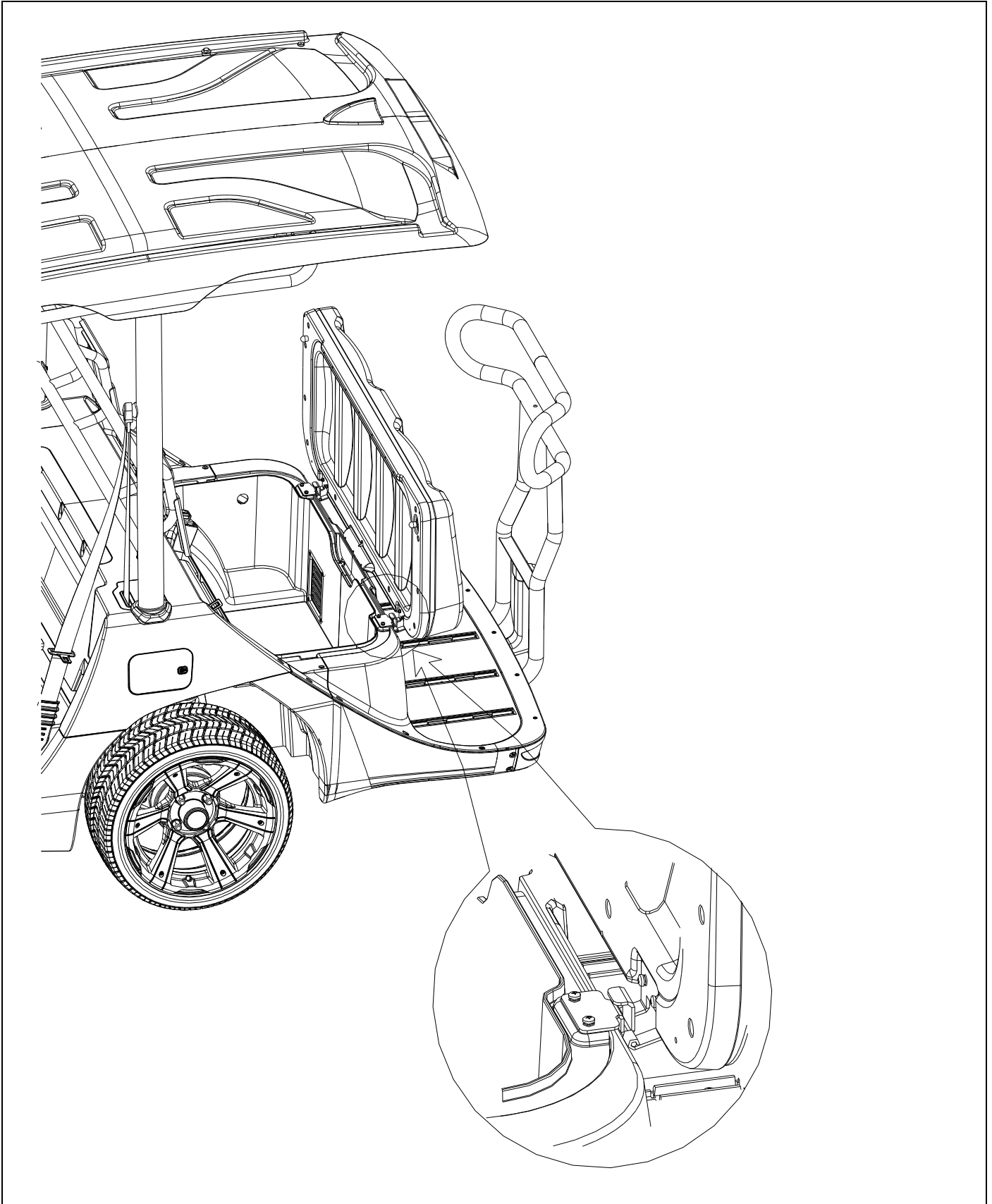
SAFETY BELT INSTALLATION PARTS LIST

ITEM	PART NO.	PART DESCRIPTION	QTY.
1	2.03.0217	THREE-POINT SEAT BELT	2
2	1.03.0002	HEX HEAD BOLT, M10×25	4
3	1.01.0060	SNAP WASHER, M10	4
4	1.01.0046	WASHER, M10	4
5	2.01.1888	CHASSIS	1
6	2.03.1160	RUBBER COVER FOR FRONT SEAT BELT	2
7	1.03.0022	HEX HEAD BOLT, M8×25	2
8	1.01.0008	SNAP WASHER, M8	4
9	1.01.0007	WASHER, M8	4
10	1.03.0007	EXTRA LARGE WASHER, M10	1
11	2.03.0079	TWO-POINT SEAT BELT	1

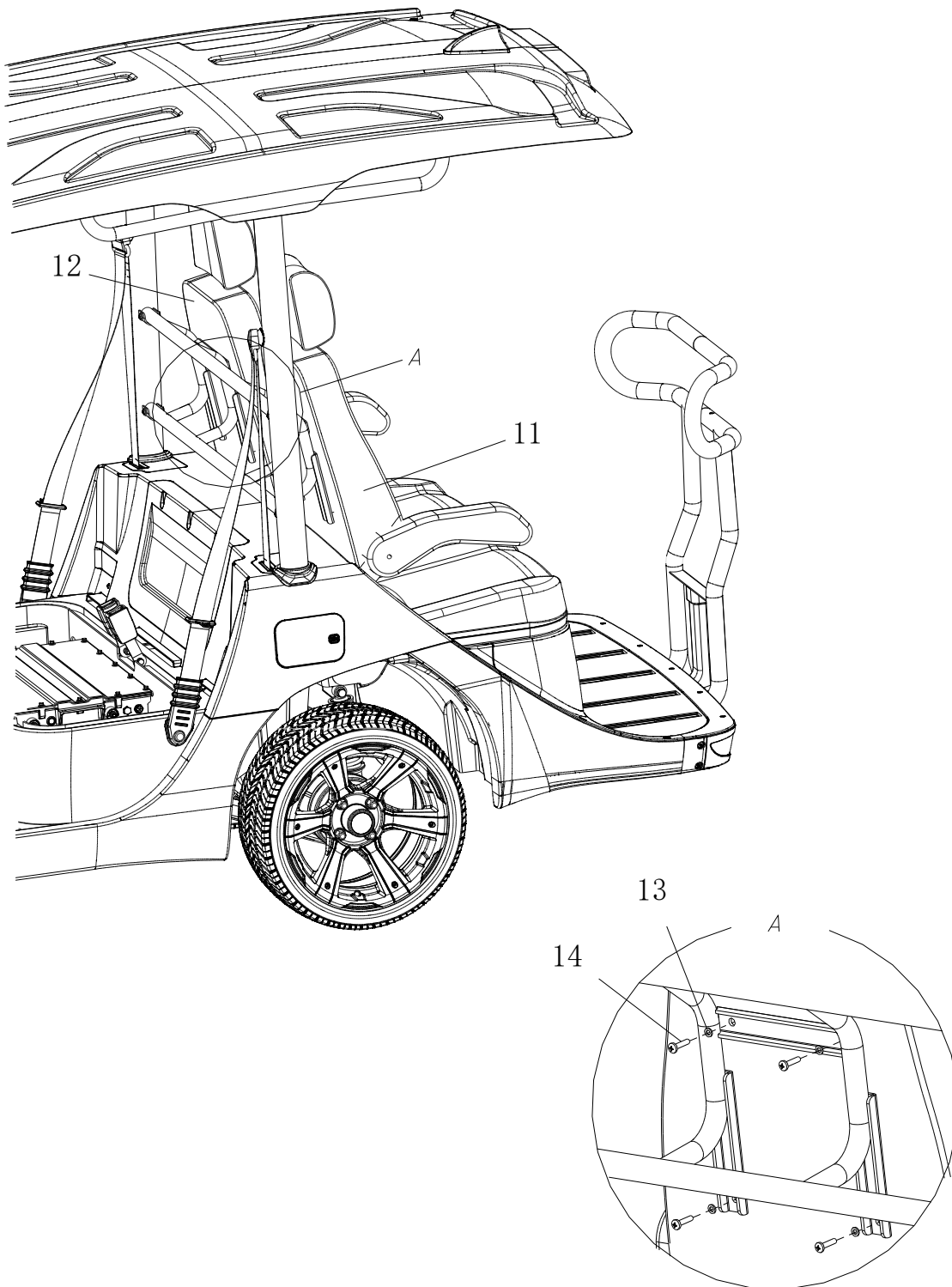
SEATS INSTALLATION



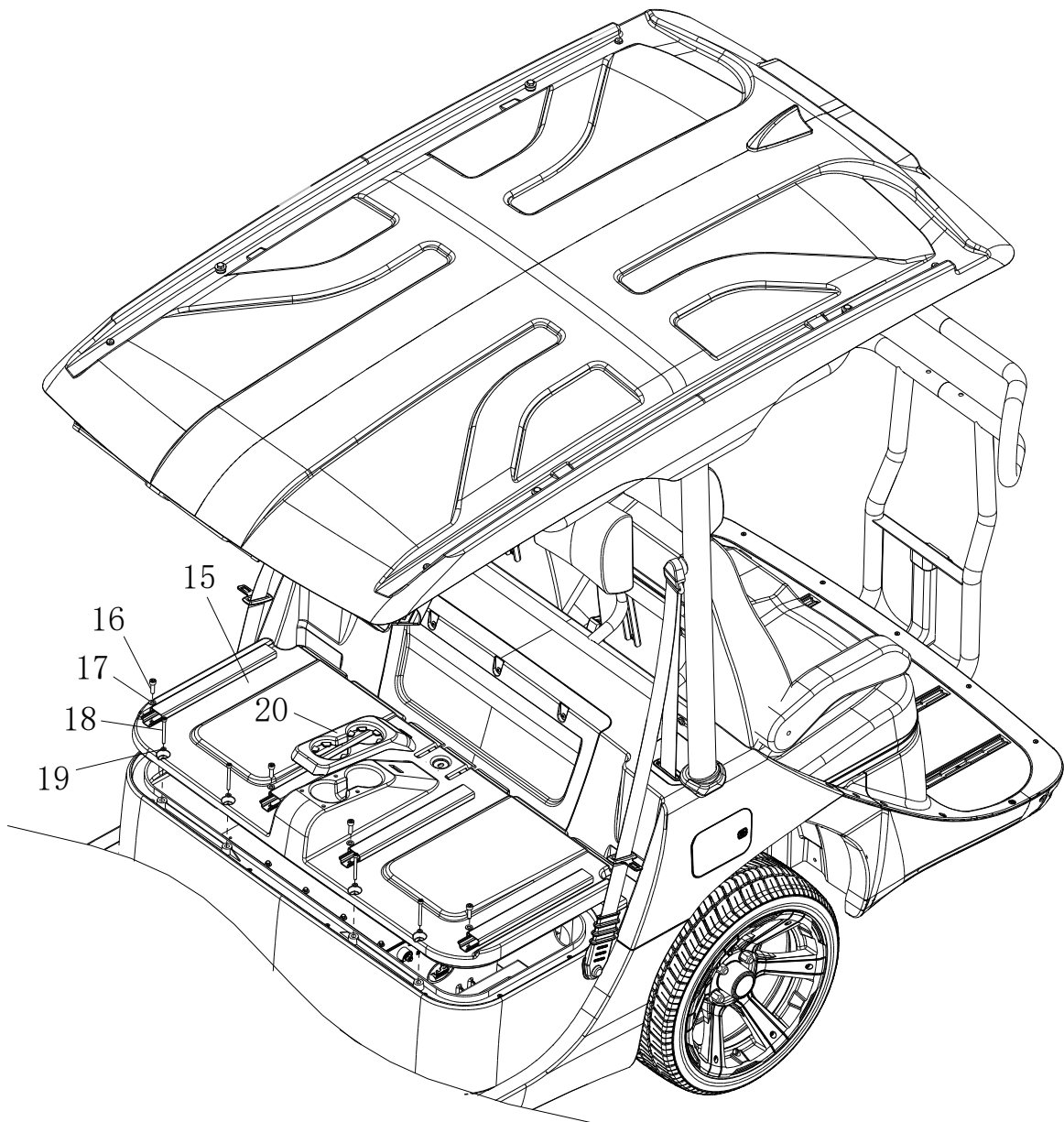
SEATS INSTALLATION



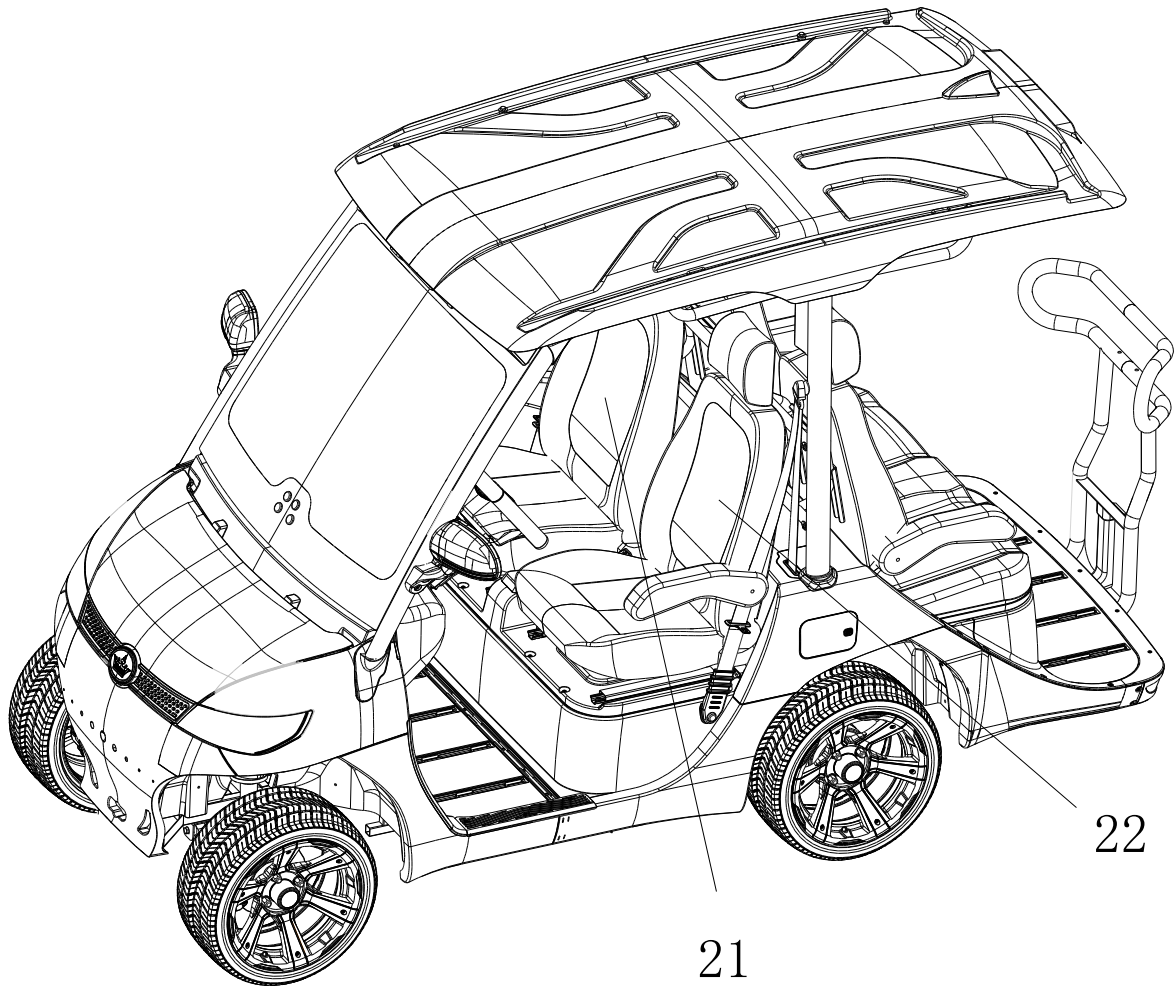
SEATS INSTALLATION



SEATS INSTALLATION



SEATS INSTALLATION



SEATS INSTALLATION PARTS LIST

ITEM	PART NO.	PART DESCRIPTION	QTY.
1	2.03.1254	BALL AND SOCKET FOR FIXING REAR SEAT	2
2	2.03.1316	REAR SEAT ASSEMBLY	1
3	1.02.0077	PAN HEAD SCREW, ST4.8×16	14
4	2.03.1165	PLASTIC BASE COVER FOR REAR SEAT	1
5	1.01.0003	WASHER, M5	4
6	1.01.0076	PAN HEAD SCREW, M5×20	4
7	1.01.0004	SNAP WASHER, M5	4
8	2.01.1831	HINGER, FEMALE	2
9	1.01.0005	HEX HEAD NUT, M5	4
10	2.03.1316	REAR SEAT ASSEMBLY	1
11	2.03.1315	FRONT SEAT ASSEMBLY, DRIVER SIDE	1
12	2.03.1504	REAR SEAT BACK ASSEMBLY, PASSENGER SIDE	1
13	1.01.0041	WASHER, M6	8
14	1.03.0070	PAN HEAD SCREW, M6×25	8
15	2.03.1130	MOUNTING BASE BOARD FOR FRONT SEAT	1
16	1.01.0182	HEXAGON SOCKET HEAE CAP SCREWS, M8×25	4

SEATS INSTALLATION PARTS LIST

ITEM	PART NO.	PART DESCRIPTION	QTY.
17	1.01.0007	WASHER, M8	4
18	1.01.0083	HEXAGON SOCKET HEAE CAP SCREWS, M6×60	4
19	1.01.0041	WASHER, M6	4
20	2.03.1193	CUP HOLDER COVER	1
21	2.03.1313	FRONT SEAT ASSEMBLY, DRIVER SIDE	1
22	2.03.1314	FRONT SEAT ASSEMBLY, PASSENGER SIDE	1