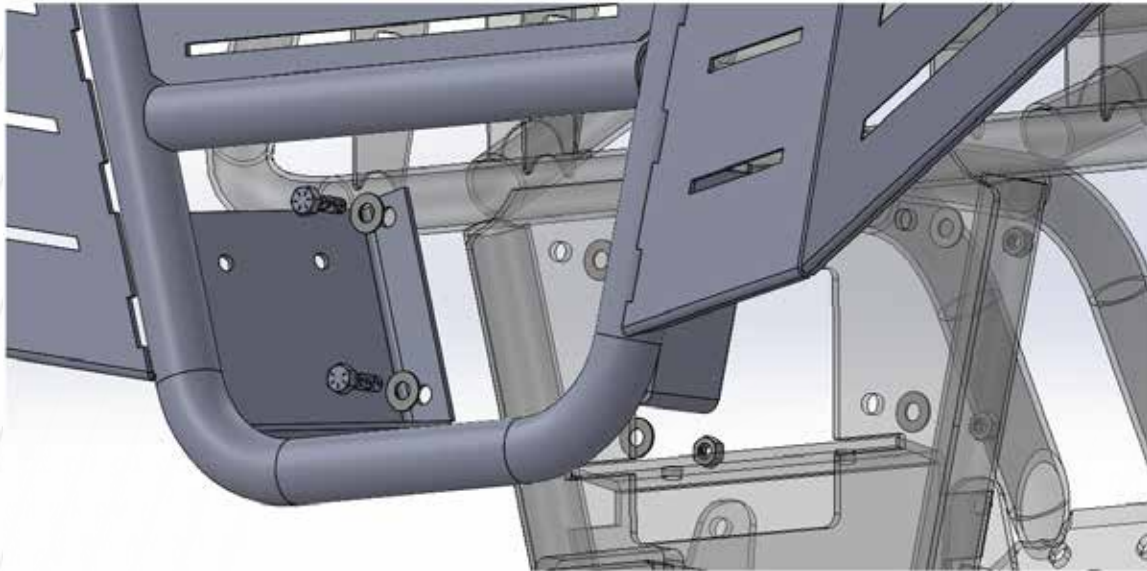


BUMPER & BED INSTALLATION GUIDE

BUMPER INSTALLATION

- 4 BOLTS / 8 WASHERS / 4 KEPS NUTS
- ADD A WASHER ON EACH BOLT
- PUT BOLT THROUGH THE BUMPER
- THEN PASS THROUGH THE BUMPER PLATE ON THE CHASSIS
- ADD A WASHER ON THE BOLT ON THE BACK OF THE BUMPER MNT PLATE
- THEN FASTEN WITH THE NUT



BED INSTALLATION

- 2 CLEVIS PINS / 2 RETAINING CLIPS
- PLACE BED ON CHASSIS
- ALLOW THE LATCHES TO PASS THROUGH TO THE LATCH BOLTS
- LIFT THE REAR OF THE BED TO ALIGN THE BED MOUNT TO THE CHASSIS MOUNT
- RUN THE CLEVIS PIN INTO EACH SIDE OF THE BED
- ATTACH RETAINING CLIP TO PREVENT PINS FROM SLIDING OUT
- ADJUST LH/RH LATCH BOLTS AS NECESSARY TO TAKE OUT ANY PLAY IN THE BED

