



ILLUSTRATED PARTS LIST

This Illustrated Parts List covers the following 2021 model American LandMaster made Utility Vehicles

4x4 (Models: L5, L7, L7x)

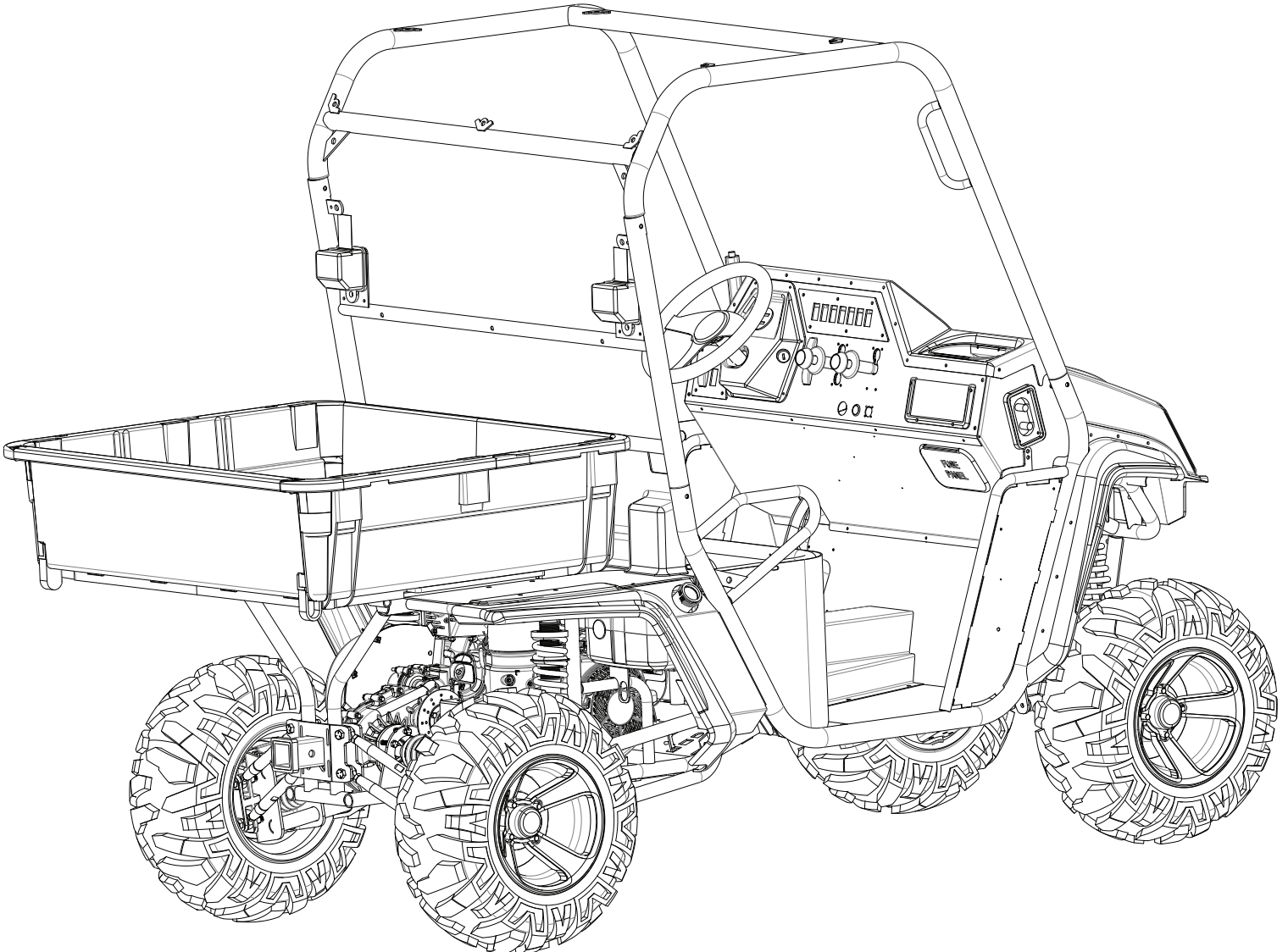


Table of Contents

Section 1	Drivetrain	pages 2-11
Section 2	Rear Suspension	pages 12-18
Section 3	Front Suspension / Steering	pages 19-29
Section 4	Dash / Controls	pages 30-36
Section 5	Plastics / Seating	pages 37-55
Section 6	Decals	pages 56-57
Section 7	Nets	pages 58



ILLUSTRATED PARTS LIST

This Illustrated Parts List covers the following 2021 model American LandMaster made Utility Vehicles

DRIVETRAIN

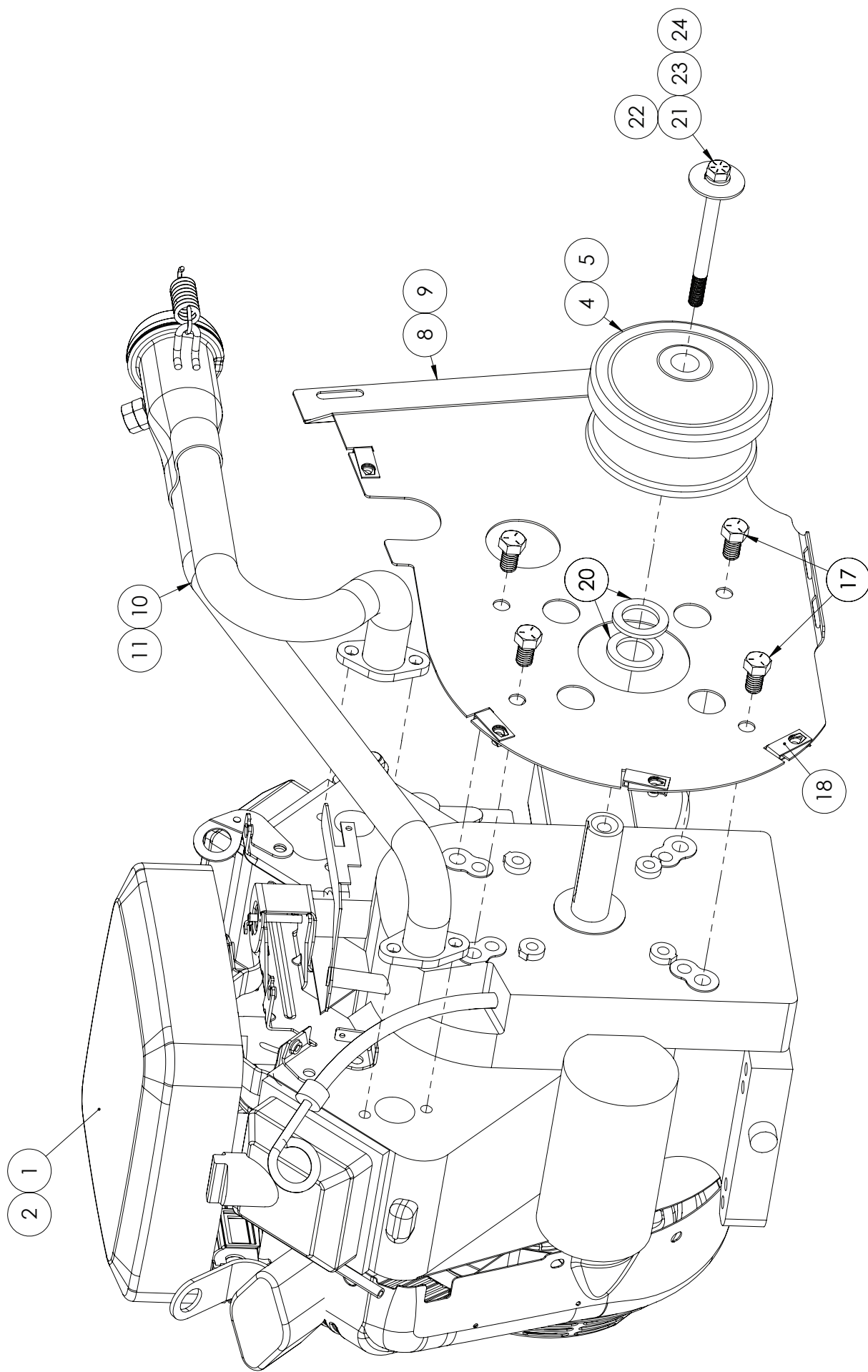
NOTE: parts denoted as left hand (LH) or right hand (RH) are from driver's point of view.

REFERENCE NUMBER	PART NUMBER	PART DESCRIPTION	QUANTITY REQUIRED
1	2-20020	ENGINE, BRIGGS 479CC VTWIN	1
2	18189	ENGINE, ECH650 KOHLER - REM FI	1
3	18190-1	WDMT, FRAME IRS STD CHASSIS	1
4	17816	DRIVER, CVT - BLACK DOT - 550	1
5	18130	PULLEY, DRIVER - PB - 700	1
6	18118	BELT, CVT SMALL DRIVEN	1
7	18132	BELT, PB - 700	1
8	18813-1	PLATE, BACK CV COVER - L5	1
9	18794-2	PLATE, BACK CVT FRONT - L7	1
10	18328	HEADER, VAN479 EES	1
11	18327	HEADER, ECH650 EES	1
12	18796	COVER, FRONT CVT - L5	1
13	18793	COVER FRONT CVT - L7	1
14	18326	MUFFLER, EES NO CATALYST	1
15	18065	MUFFLER, EES WITH CATALYST	1
16	18329	ISOLATOR, EES EXH HANGER	2
17	2-50301	BOLT, 7/16IN X 3/4IN HEX HEAD G5	4
18	15823	NUT, CLIP ON TAPPED - M6 X 1.0; 11 GA MA	4
19	14426	BOLT, M6 X 1.0 X 14	4
20	2-50745	WASHER, 1IN ID X 1-1/2IN OD X .1345 THK	2
21	2-50218	BOLT, 3/8"-24 X 4.5" HHCS G5 - PLATED	1
22	19096	BOLT, 3/8-24 X 5.00" HHCS GR5	1
23	2-50742	WASHER, 3/8IN FENDER, 1-1/2" OD	1
24	2-50741	WASHER, 3/8IN LOCK	1
25	2-50704	WASHER, 5/16IN USS FLAT	4
26	2-50159	BOLT, 5/16"-18 x 1.5" HHCS BLK	2
27	2-50167	BOLT, 5/16IN X 2IN HEX HEAD G5	2
28	2-50007	NUT, 5/16-18 NYLOCK	4
29	2-50202	BOLT, 3/8IN X 1-3/4IN HEX HE	4
30	2-50740	WASHER, 3/8IN USS FLAT WASHER	4
31	2-50010	NUT, 3/8-16 NYLOCK	4
32	2-50065	NUT, M10 X 1.5 NYLON LOCKING	2
33	18702	BOLT, M10X1.5 X 60MM HIGH STRENGTH	2



GAS POWERED

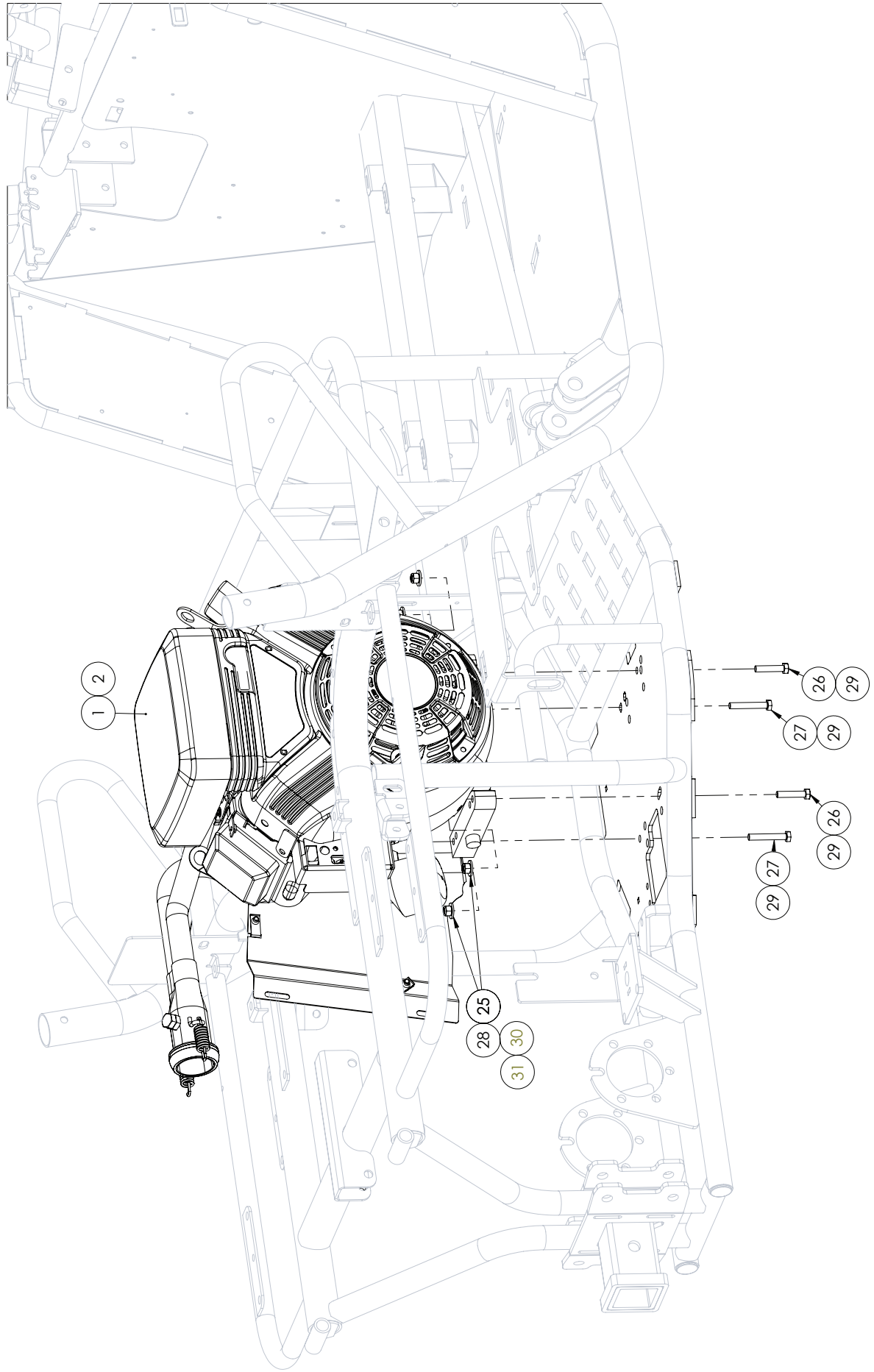
DRIVETRAIN MOTOR ASSEMBLY

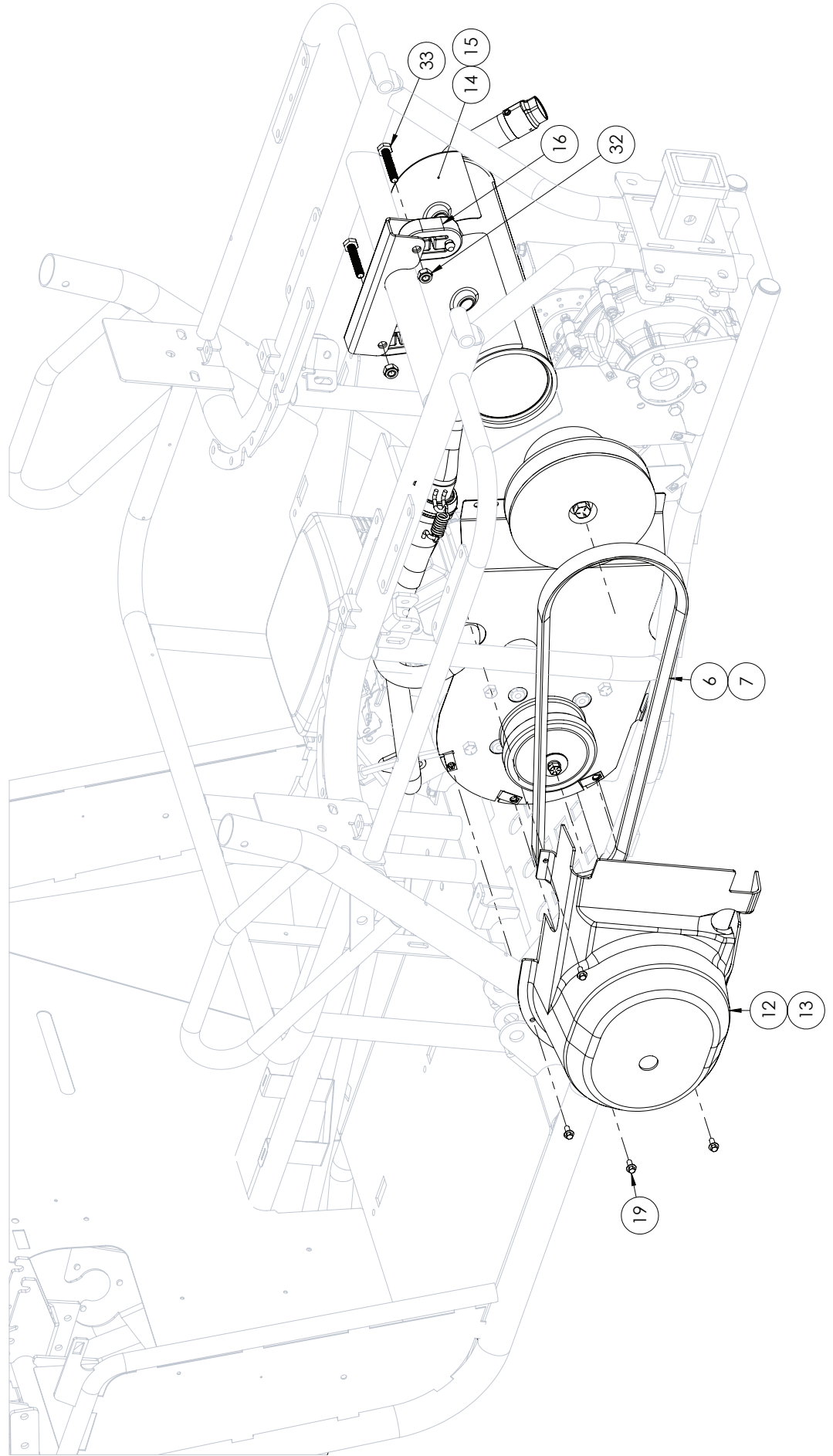




AMERICAN
LANDMASTER

MOTOR ASSEMBLY **DRIVETRAIN**
ILLUSTRATED PARTS LIST





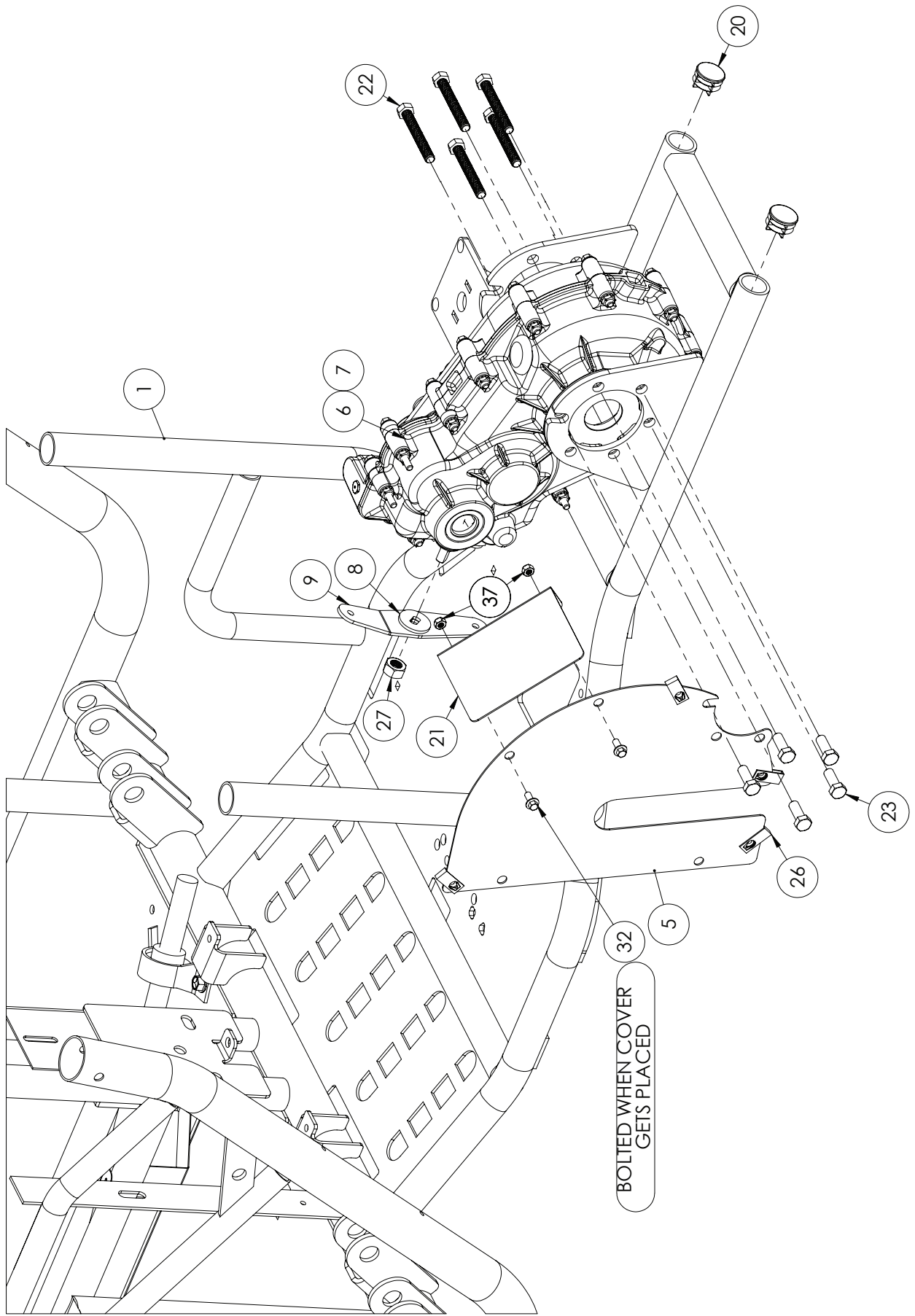
NOTE: parts denoted as left hand (LH) or right hand (RH) are from driver's point of view.

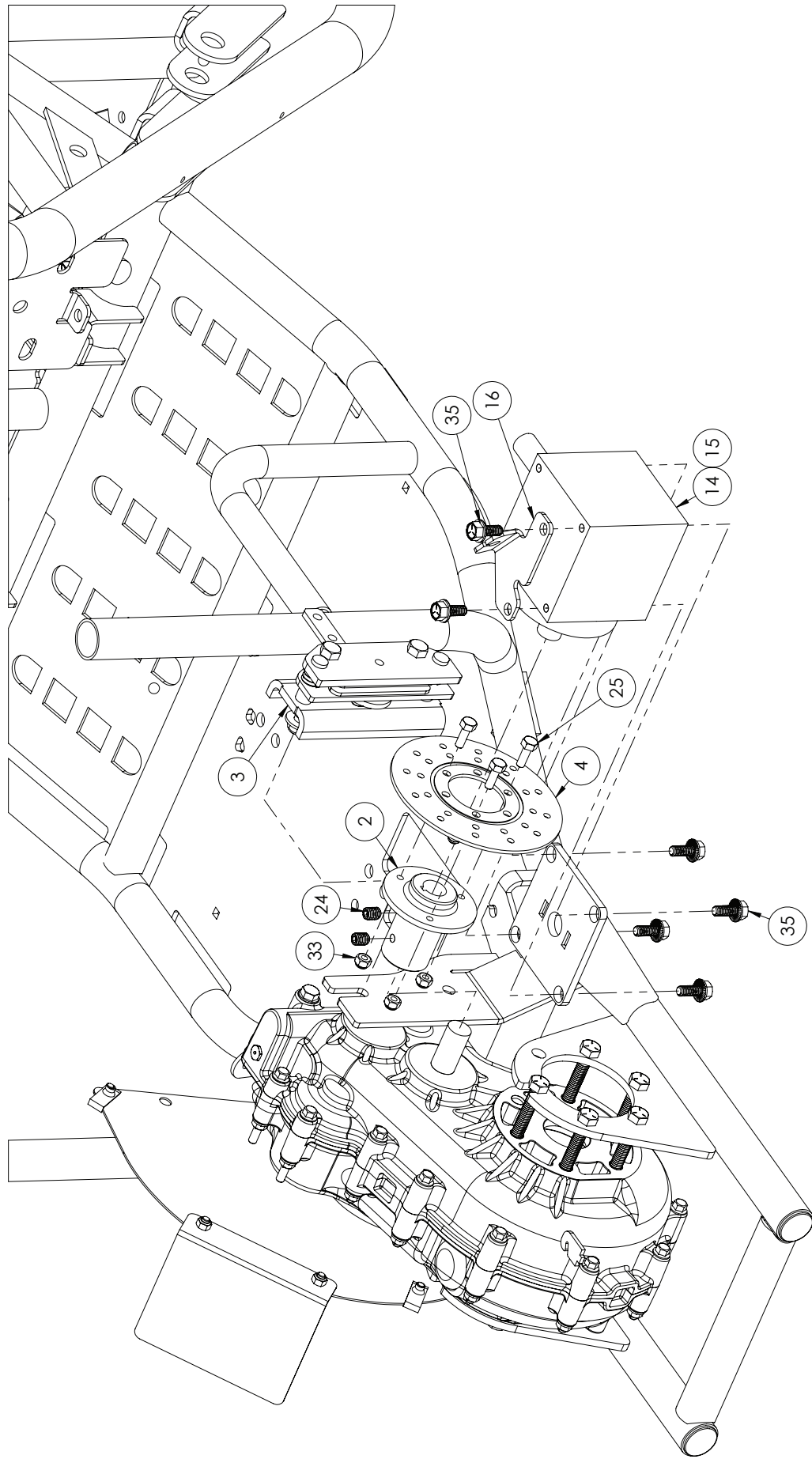
REFERENCE NUMBER	PART NUMBER	PART DESCRIPTION	QUANTITY REQUIRED
1	18190-1	WDMT, FRAME IRS STD CHASSIS	1
2	17923	HUB, 4WD COUPLER / ROTOR MOUNT	1
3	17986	CALIPER, MECHANICAL AUSCO	1
4	18080	DISC, FRONT BRAKE - 7150	1
5	18795-1	PLATE, BACK CVT REAR - RAW	1
6	18057	AXLE, TRANSAXLE IRS 13.25:1	1
7	18058	AXLE, TRANSAXLE IRS 10.15:1	1
8	16830	SPACER, TRANSAXLE SHIFTER INPUT	1
9	16623	BRACKET, SHIFTER INPUT	1
10	16541	DRIVEN, CVT - 4X2	1
11	18131	PULLEY, DRIVEN - PB - 700	1
12	18901	COVER, CVT REAR	1
13	18792	COVER, CVT REAR - L7	1
14	2-25004	4X4, RIGHT ANGLE GEAR BOX	1
15	18081	GEARBOX, 90 DEG 1.15:1	1
16	18123	BRKT, DIFF LOCK 4WD	1
17	2-25010	4X4, DRIVE SHAFT BEARING-PILLOW BLOCK ST	1
18	16430	SHAFT, CV DRIVE - FRONT 36.5" OAL	1
19	2-25016	4X4, CV DRIVE SHAFT -REAR (SEE SPECS)	1
20	18697	CAP, ID .96" - 1.07" SNAP IN	2
21	19108	BRKT, HEAT SHIELD - L5/L7	1
22	19003	BOLT. 3/8 - 16 X 2.75IN	5
23	2-50206	BOLT, 3/8-16 X 1 HEX HEAD G5	5
24	19005	SCREW, SET 3/8-16 X 0.50 CUP POINT / PATCH LOK	2
25	2-50084	BOLT, 1/4"-20 x .75" BLK	3
26	15823	NUT, CLIP ON TAPPED - M6 X 1.0; 11 GA MA	4
27	16868	NUT, M12 X 1.25 INTERFERENCE TOP LOCK	1
28	2-50239	BOLT, 1/2"-20 X 2" HH G5 FT	1
29	18700	BOLT, 1/2-20 X 3.5 IN	1
30	2-50722	WASHER, 1/2IN LOCK WASHER	1
31	2-50747	WASHER, 0.515IN X 1.25IN X 0.125IN	1
32	14426	BOLT, M6 X 1.0 X 14	6
33	2-50001	NUT, 1/4-20 NYLON LOCKING	3
34	19005	SCREW, SET 3/8-16 X 0.50 CUP POINT	2
35	2-50100	BOLT, SERRATED 5/16" - 18 X 3/4"	8
36	2-50005	NUT, 5/16-18 KEPS	2
37	14236	NUT, M6 X 1.00 NYLOC ZN	2

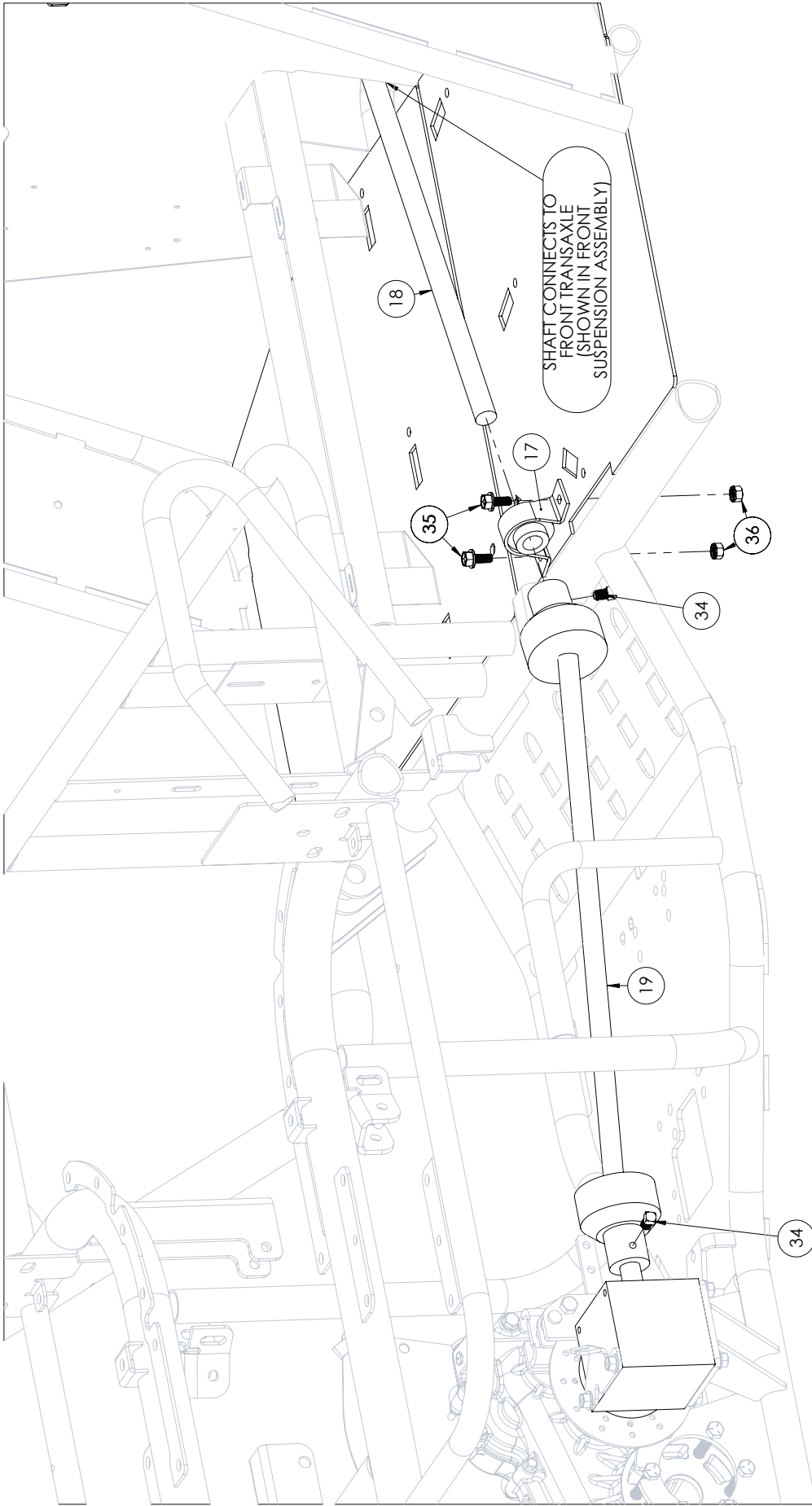


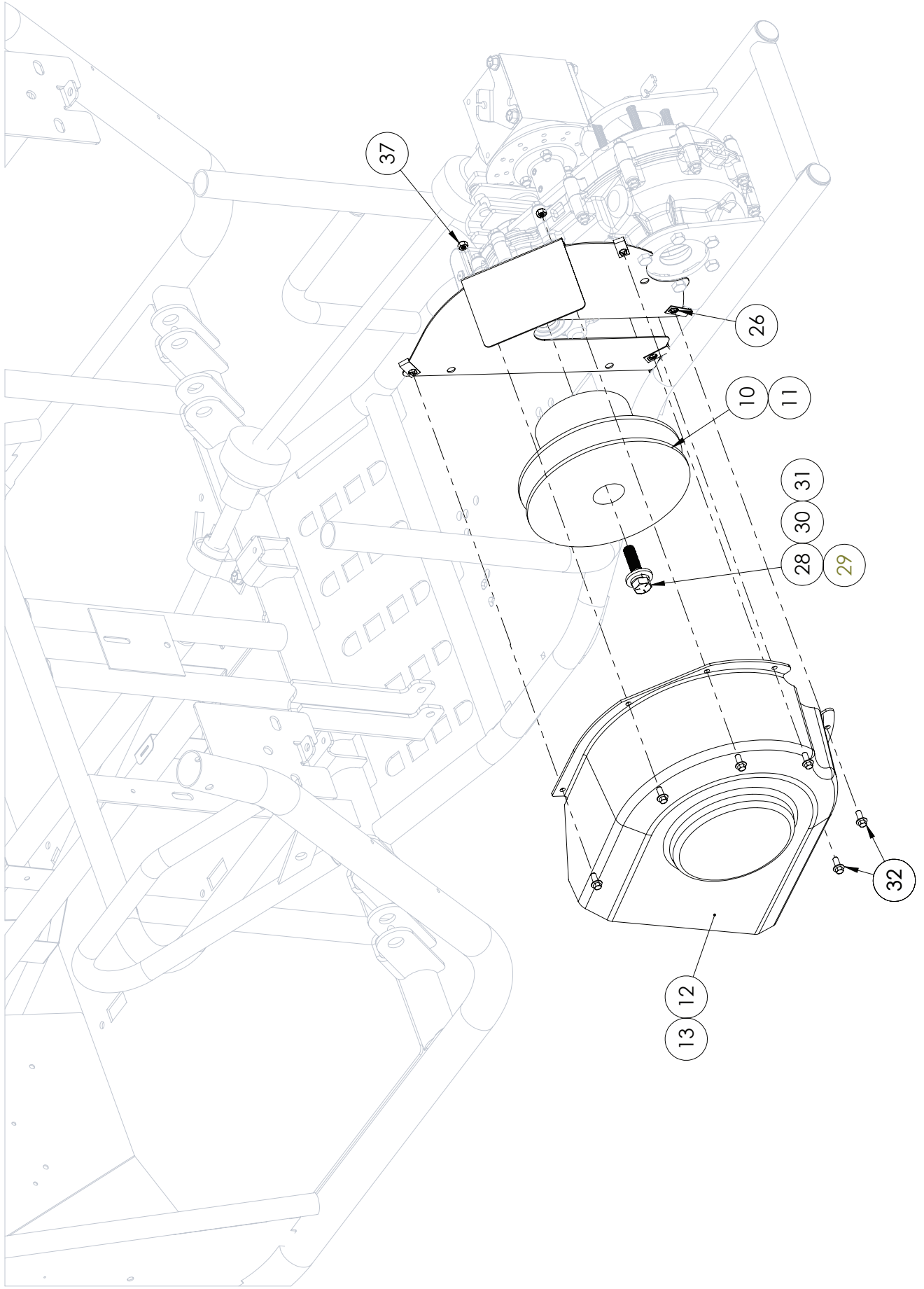
GAS POWERED

DRIVETRAIN TRANSAXLE ASSEMBLY









ILLUSTRATED PARTS LIST

This Illustrated Parts List covers the following 2021 model American LandMaster made Utility Vehicles

REAR SUSPENSION

NOTE: parts denoted as left hand (LH) or right hand (RH) are from driver's point of view.

REFERENCE NUMBER	PART NUMBER	PART DESCRIPTION	QUANTITY REQUIRED
1	18190-1		1
2	14426	BOLT, M6 X 1.0 X 14	4
3	15823	NUT, CLIP ON TAPPED - M6 X 1.0; 11 GA MA	4
4	16625	NUT, M16 X 1.5 CASTLE	2
5	17479	SHOCK, DUAL RATE 400/900	2
6	18024	SHOCK, DUAL RATE 500/900	2
7	17485-1	WDMT, TRAILING ARM RH-48-RAW	1
8	18054-1	WDMT, TRAILING ARM RH-56-RAW	1
9	17801	STRAP, FUEL TANK	2
10	17978	ROD END, 1/2-20 LH	4
11	17979	ROD END, 1/2-20 RH	4
12	17980	ARM, RADIUS 48" OAW	4
13	17981	ARM, RADIUS 56" OAW	4
14	17982	NUT, 1/2-20 THIN RH	4
15	17983	NUT, 1/2-20 THIN LH	4
16	18046	SPACER, .7 X .5 X .285	8
17	18055-1	WDMT, TRAILING ARM LH-48-RAW	1
18	17496-1	WDMT, TRAILING ARM LH-56-RAW	1
19	18565	ROD END, 3/4	2
20	18594	ASM, REAR CORNER MODULE	2
21	18693	NUT, 1/2-20 NYLOCK	8
22	18702	BOLT, M10X1.5 X 60MM HIGH STRENGTH	4
23	18705	NUT, 3/4-16 JAM	2
24	18772	TANK, FUEL FLAM FRNT GAUGE BLK	1
25	2-11124	BRAKE CALIPER-RAZORBACK (99-22664)	2
26	2-30623	HUB, UTV-DUST CAP	2



GAS POWERED

REAR SUSPENSION ASSEMBLY SUSPENSION ASSEMBLY

NOTE: parts denoted as left hand (LH) or right hand (RH) are from driver's point of view.

REFERENCE NUMBER	PART NUMBER	PART DESCRIPTION	QUANTITY REQUIRED
27	2-50010	NUT, 3/8-16 NYLOCK	8
28	2-50020	NUT, 3/4-16 NYLOCK	2
29	2-50065	NUT, M10 X 1.5 NYLON LOCKING	4
30	2-50215	BOLT, 3/8IN X 1-1/4IN HEX HEAD G5	8
31	2-50249	BOLT, 1/2IN-20 X 2.5 IN FT HH	8
32	2-50280	BOLT, 3/4IN X 2-1/2IN-HH G5-FT	2
33	17511	SHAFT, CV LR 48	1
34	17512	SHAFT, CV RR 48	1
35	18044	SHAFT, CV LR 56	1
36	18045	SHAFT, CV RR 56	1



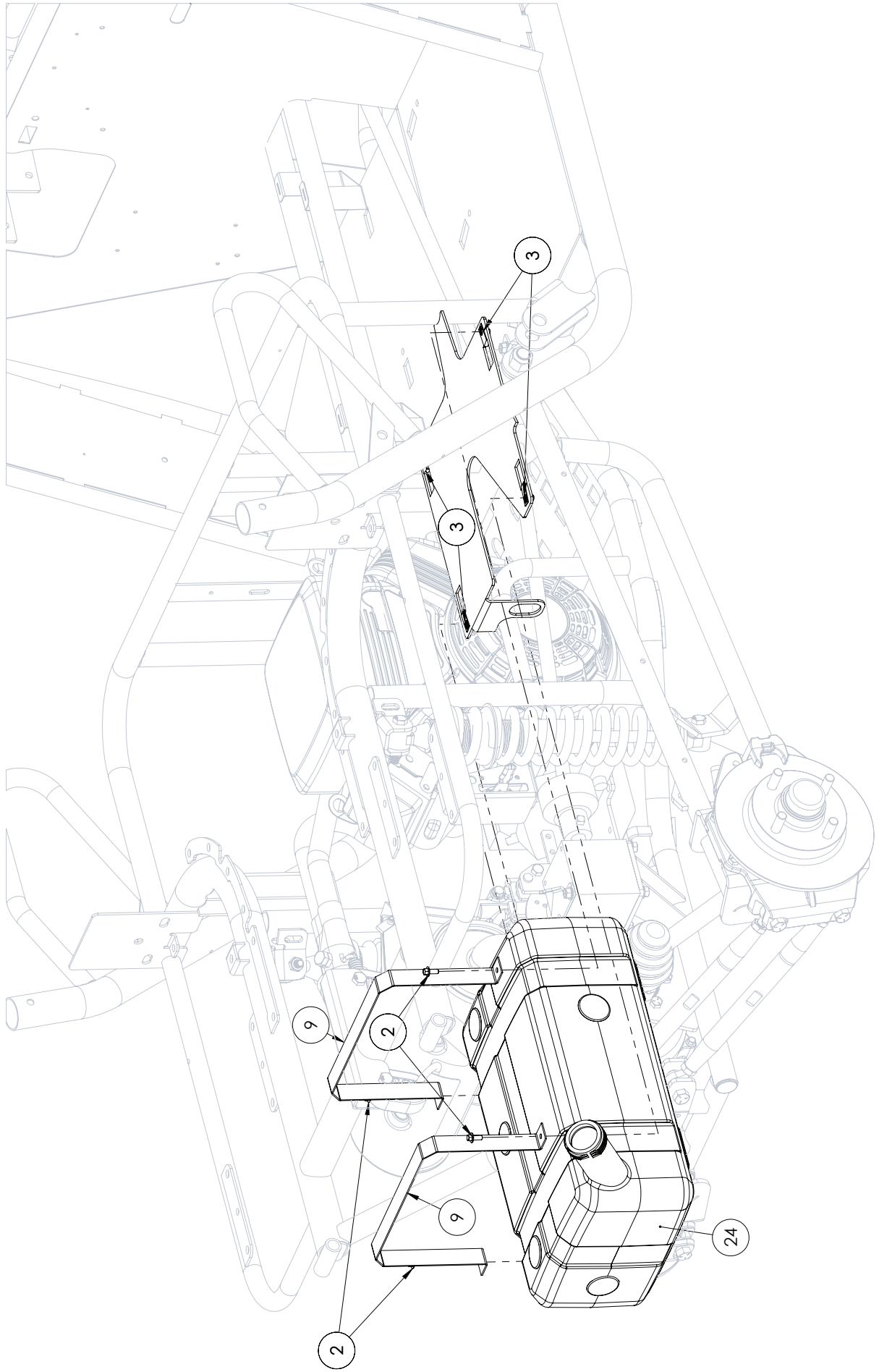
GAS POWERED

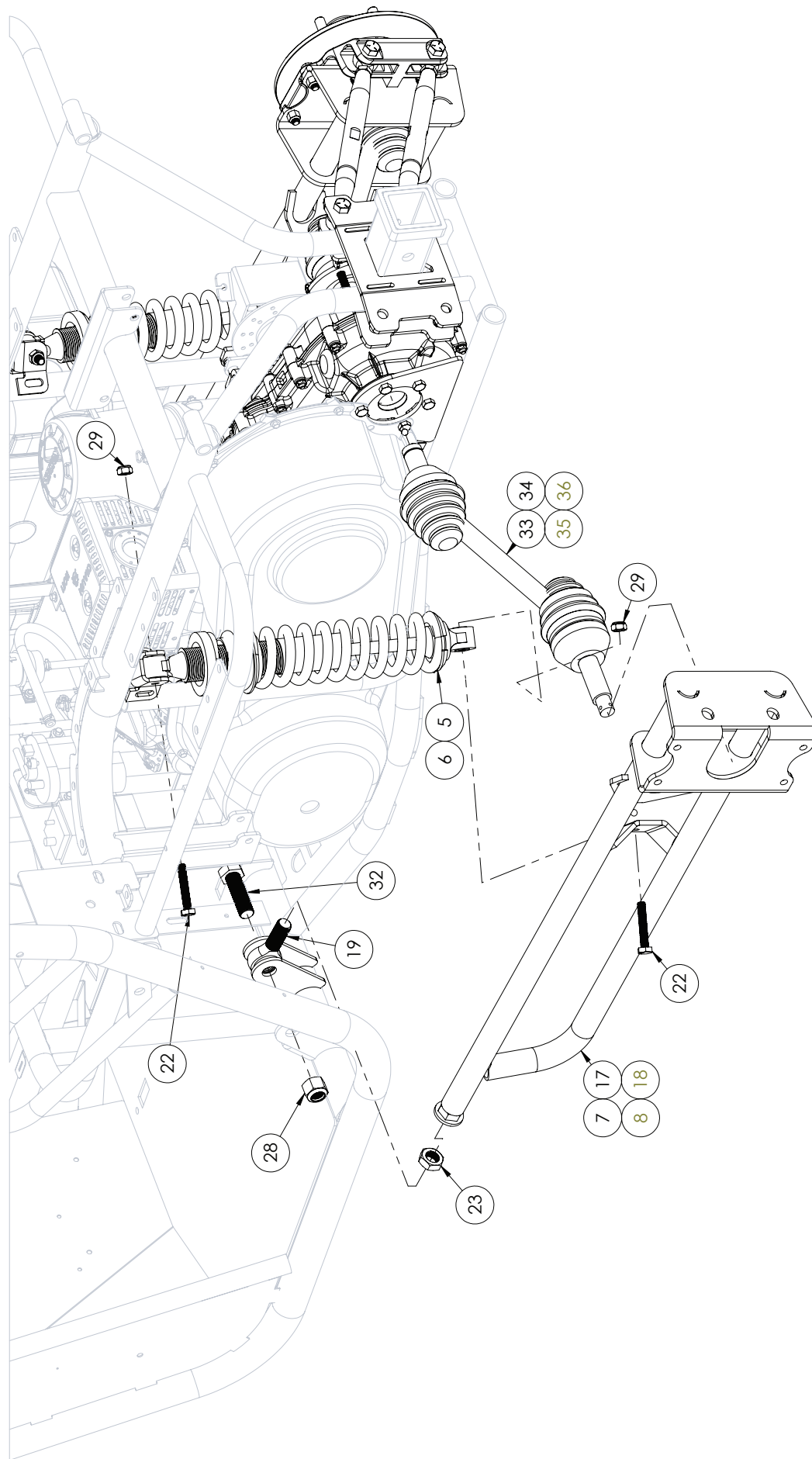
REAR SUSPENSION ASSEMBLY SUSPENSION ASSEMBLY

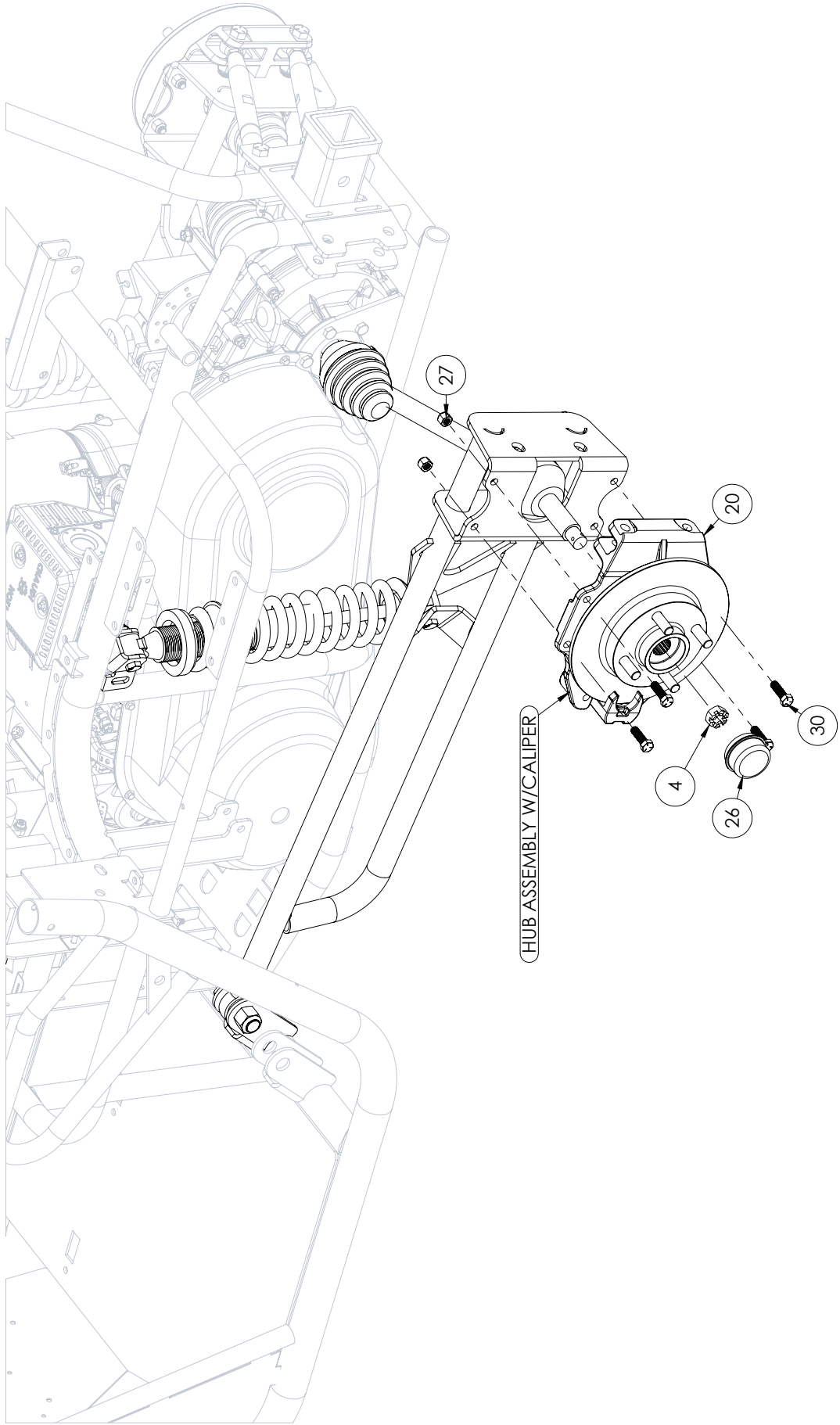


AMERICAN
LANDMASTER

FUEL TANK MOUNT **REAR SUSPENSION**
ILLUSTRATED PARTS LIST



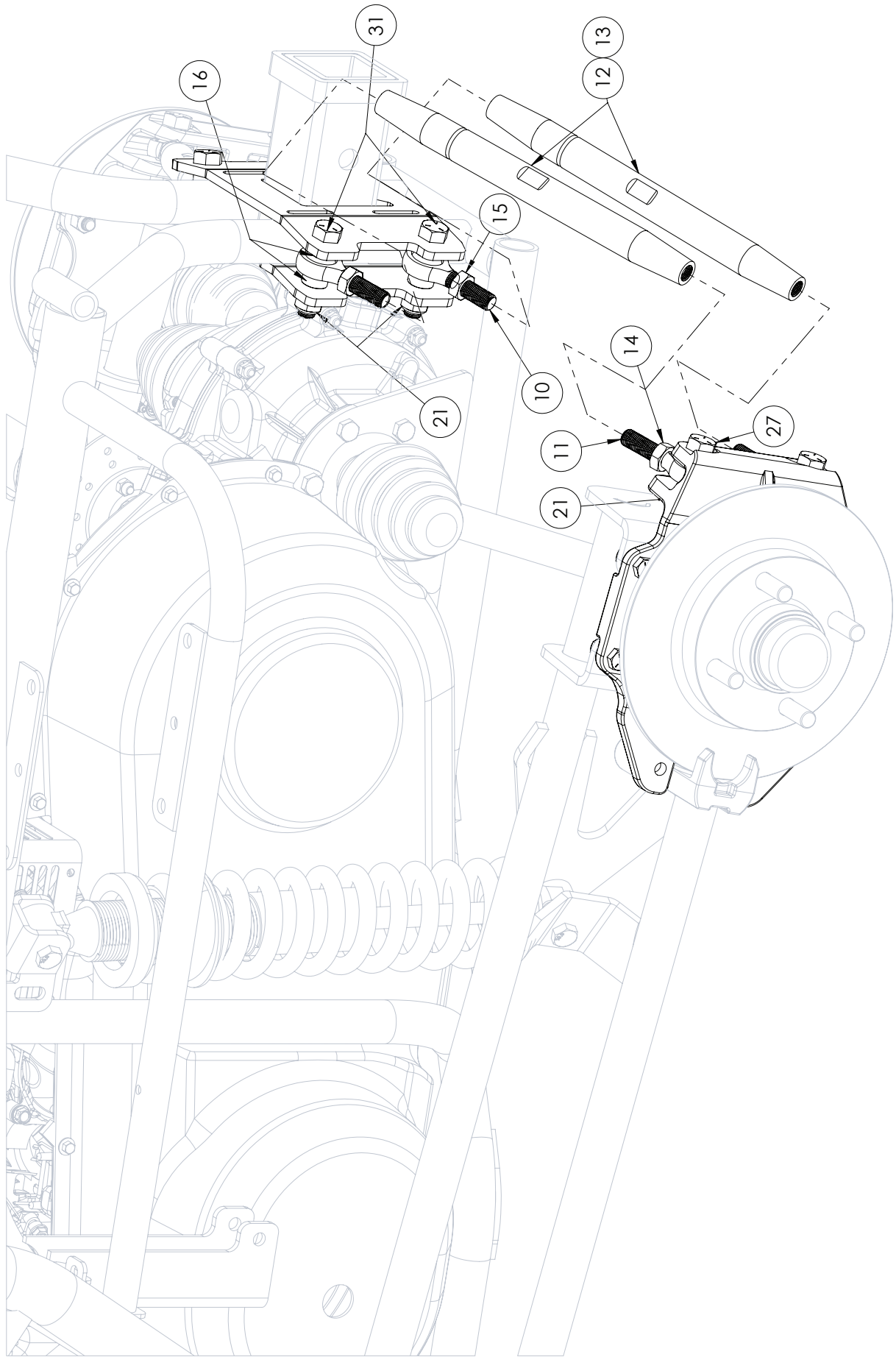






AMERICAN
LANDMASTER

REAR SUSPENSION ASSEMBLY **REAR SUSPENSION**
ILLUSTRATED PARTS LIST





ILLUSTRATED PARTS LIST

This Illustrated Parts List covers the following 2021 model American LandMaster made Utility Vehicles

FRONT SUSPENSION / STEERING

NOTE: parts denoted as left hand (LH) or right hand (RH) are from driver's point of view.

REFERENCE NUMBER	PART NUMBER	PART DESCRIPTION	QUANTITY REQUIRED
1	18190-1	WDMT, FRAME IRS STD CHASSIS	1
2	2-20839	FRONT DIFFERENTIAL-CFD #6203-01-282	1
3	2-11124	BRAKE CALIPER-RAZORBACK (99-22664)	2
4	2-30623	HUB, UTV-DUST CAP	2
5	17480	SHOCK, 325	2
6	18595	ASM, FRONT LEFT CORNER MODULE	1
7	16898-1	ASM, PEDAL CLUSTER - 2018	1
8	18555	WDMT, STEERING SUPPORT	1
9	18199-1	WDMT, A-ARM 48 LOWER-RAW	2
10	18200-1	WDMT, A-ARM 48 UPPER-RAW	2
11	18201-1	WDMT, A-ARM 56 LOWER-RAW	2
12	18202-1	WDMT, A-ARM 56 UPPER-RAW	2
13	18596	ASM, FRONT RIGHT CORNER MODULE	1
14	2-42114	DOM, A-ARM SPACER	4
15	18191	BUSHING, 1" OD / .625" ID	10
16	19059	KIT, POWER STEERING, W/ CONNECTORS	1
17	17184	RUBBER, 2018 PEDAL STOP	2
18	16678	FRONT A-ARM TIE BAR 4-LINK - BLACK	1
19	16905	MASTER CYLINDER, 4WD	1
20	18051	RACK & PINION, IRS 48	1
21	18052	RACK & PINION, IRS 56	1
22	18053	SHAFT, CV FRONT 48	2
23	17513	SHAFT, CV FRONT 56	2
24	18043	BALL JOINT, K7366	4
25	2-50007	NUT, 5/16-18 NYLOCK	2
26	2-50005	NUT, 5/16-18 KEPS	10
27	2-50010	NUT, 3/8-16 NYLOCK	1
28	16625	NUT, M16 X 1.5 CASTLE	2
29	18701	BOLT, 3/8-24 X 8IN HHCS GR8	4
30	18704	NUT, 3/8-24 NYLOCK	4

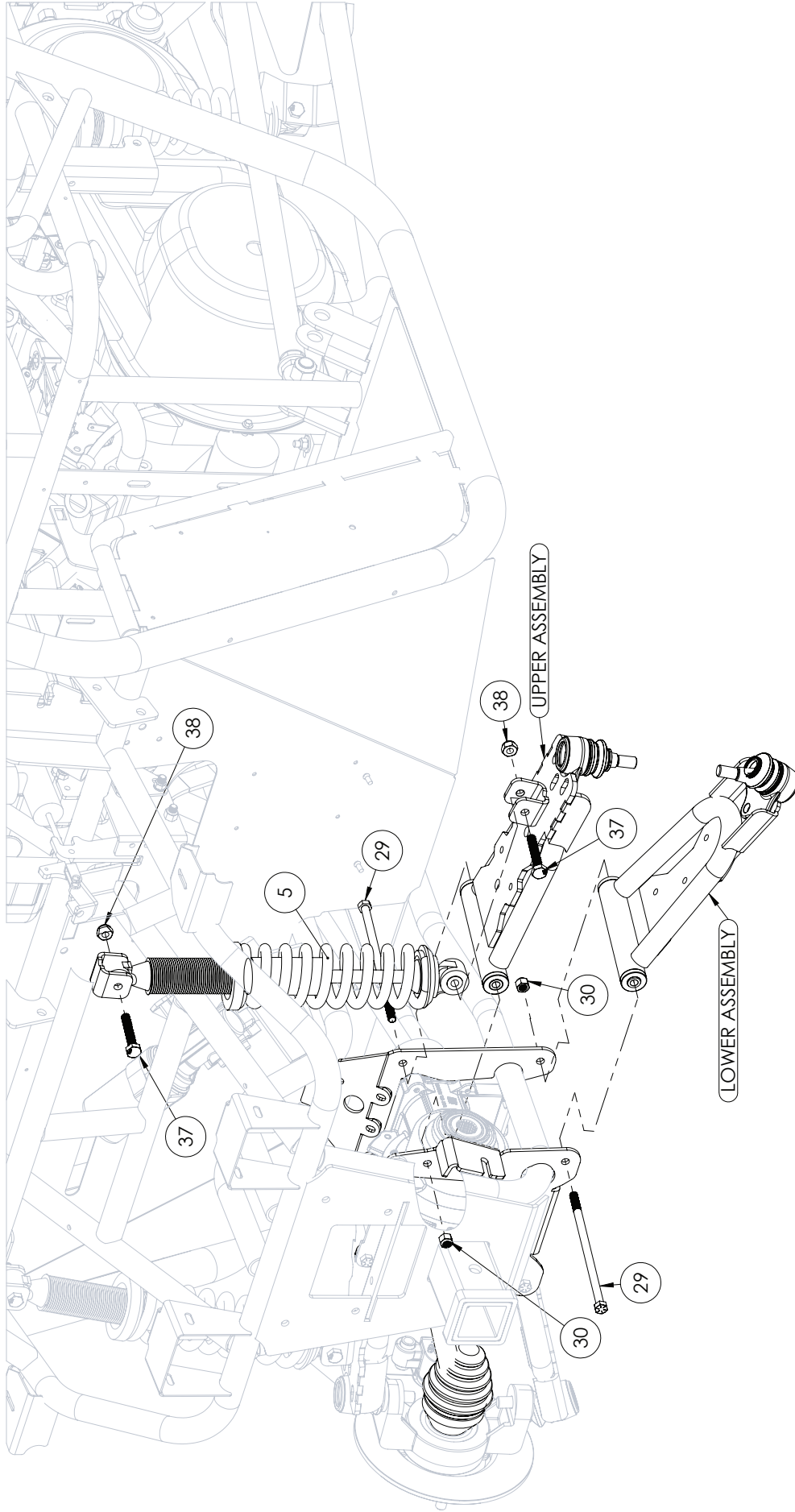


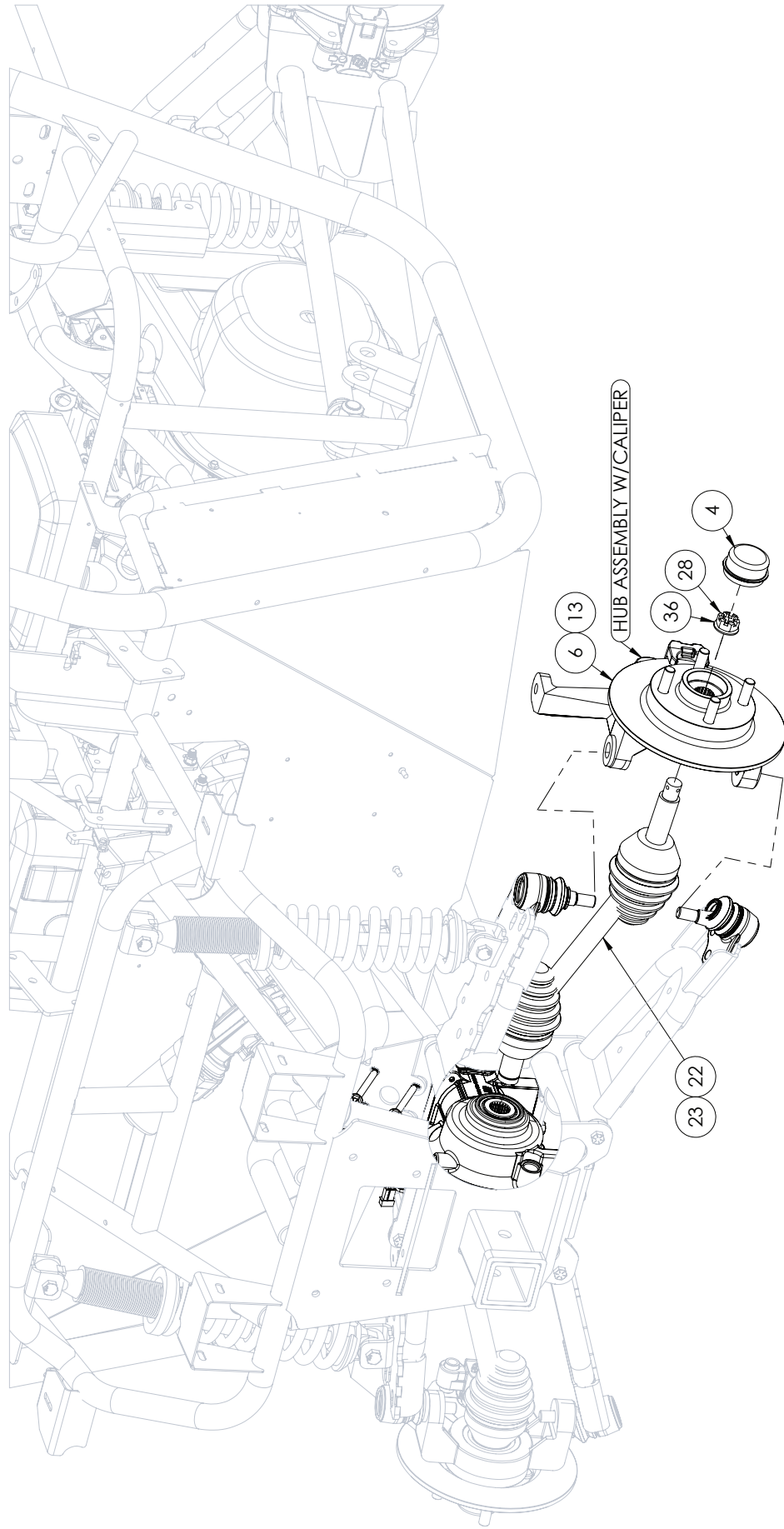
GAS POWERED

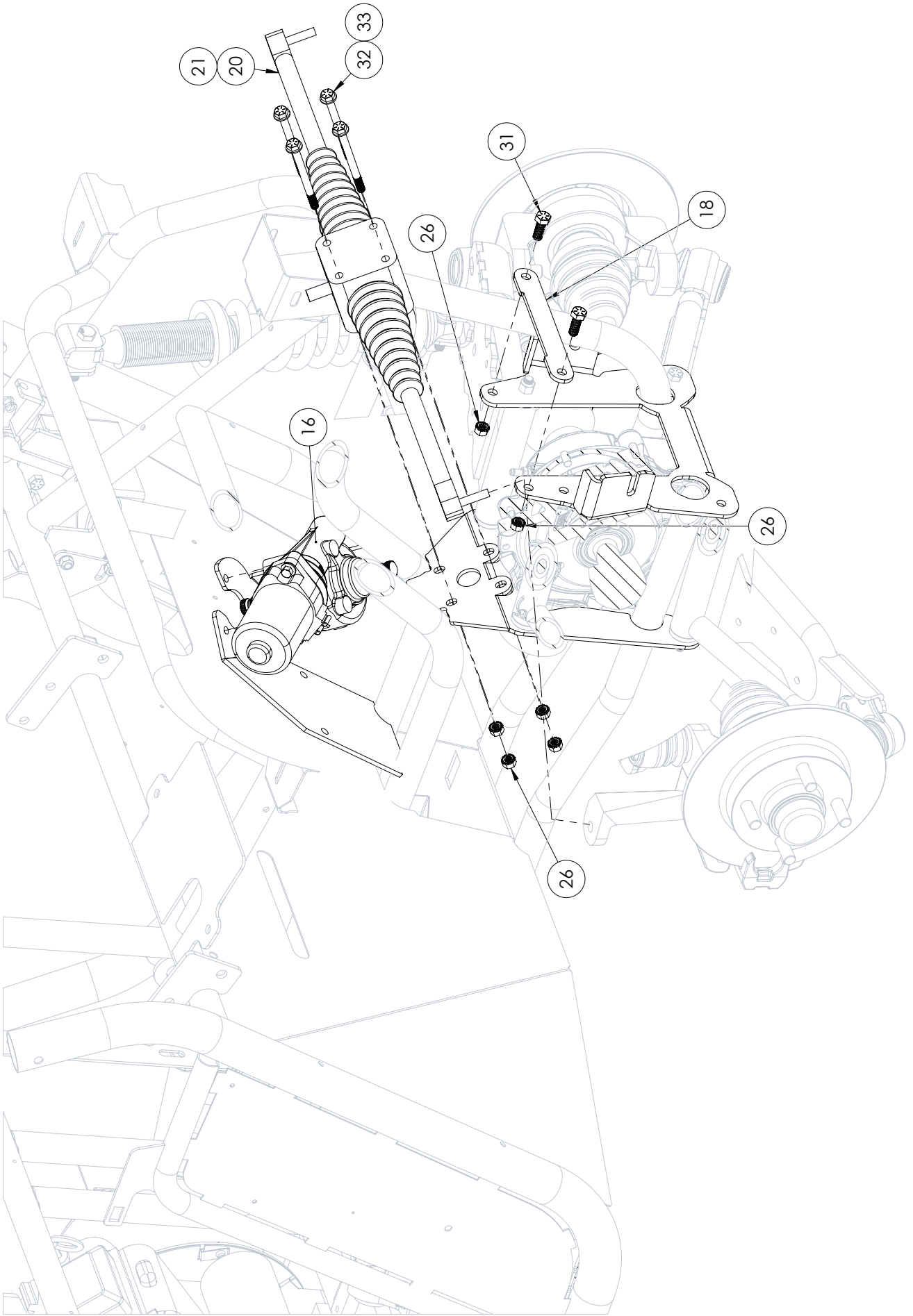
FRONT SUSPENSION / STEERING FRONT SUSPENSION ASSEMBLY

NOTE: parts denoted as left hand (LH) or right hand (RH) are from driver's point of view.

REFERENCE NUMBER	PART NUMBER	PART DESCRIPTION	QUANTITY REQUIRED
31	2-50150	BOLT, 5/16-18 X 1 HEX HEAD G5	6
32	2-50171	BOLT, 5/16IN-18 X 3-3/4IN HH G5	4
33	2-50701	WASHER, 5/16 SAE FLAT	4
34	16888	BOLT, 3/8" x 5.5"	1
35	2-50156	BOLT, 5/16IN X 2-1/4IN HEX HEAD G5	2
36	15384	WASHER, BELLEVILLE M16	2
37	18702	BOLT, M10X1.5 X 60MM HIGH STRENGTH	4
38	2-50065	NUT, 10 MM x 1.5 NYLOCK	4







NOTE: parts denoted as left hand (LH) or right hand (RH) are from driver's point of view.

REFERENCE NUMBER	PART NUMBER	PART DESCRIPTION	QUANTITY REQUIRED
1	2-20839	FRONT DIFFERENTIAL-CFD #6203-01-282	1
2	16430	SHAFT, CV DRIVE - FRONT 36.5" OAL	1
3	2-50001	NUT, 1/4-20 NYLON LOCKING	1
4	2-50741	WASHER, 3/8IN LOCK	4
5	2-50215	BOLT, 3/8IN X 1-1/4IN HEX HEAD G5	4
6	2-50092	BOLT, 1/4IN X 2IN HH G5	1
7	2-50740	WASHER, 3/8IN USS FLAT WASHER	4



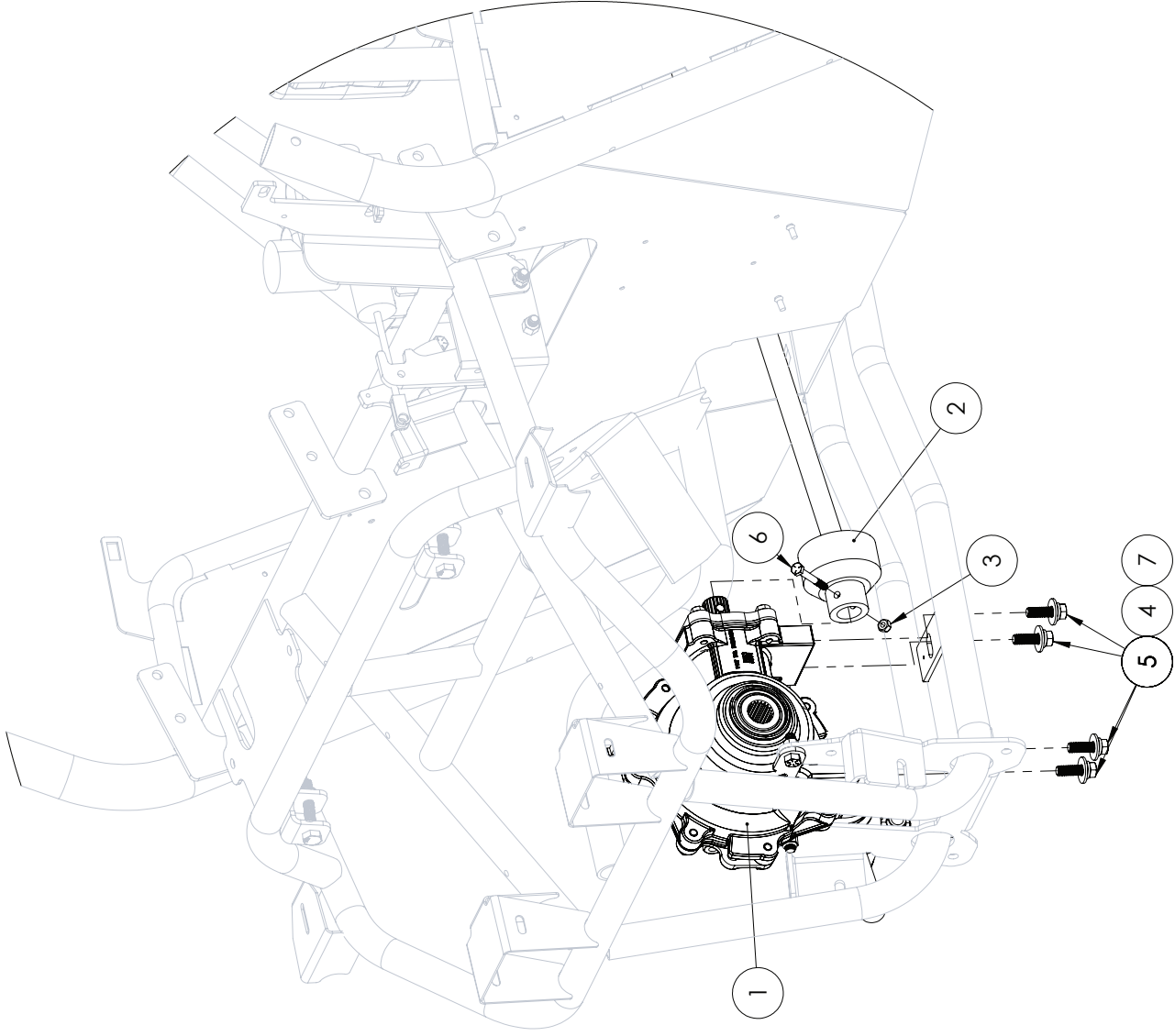
GAS POWERED

FRONT SUSPENSION / STEERING FRONT TRANSAXLE ASSEMBLY



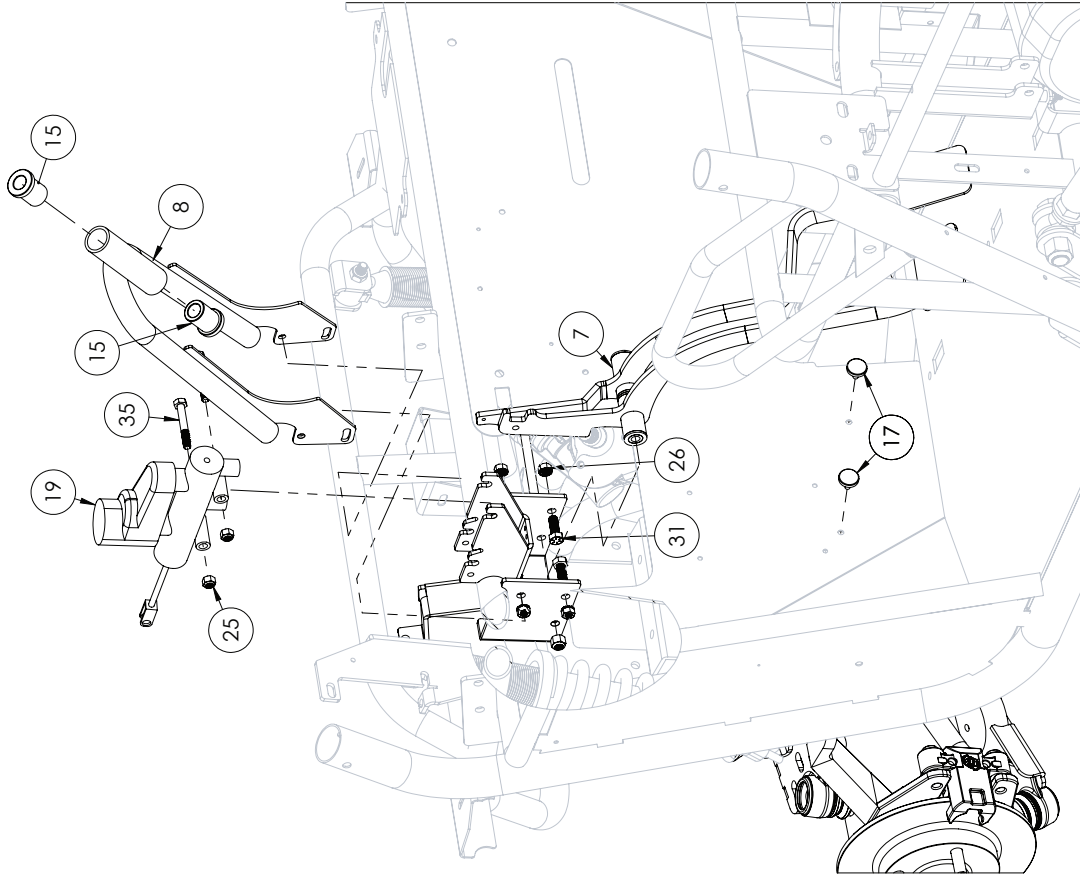
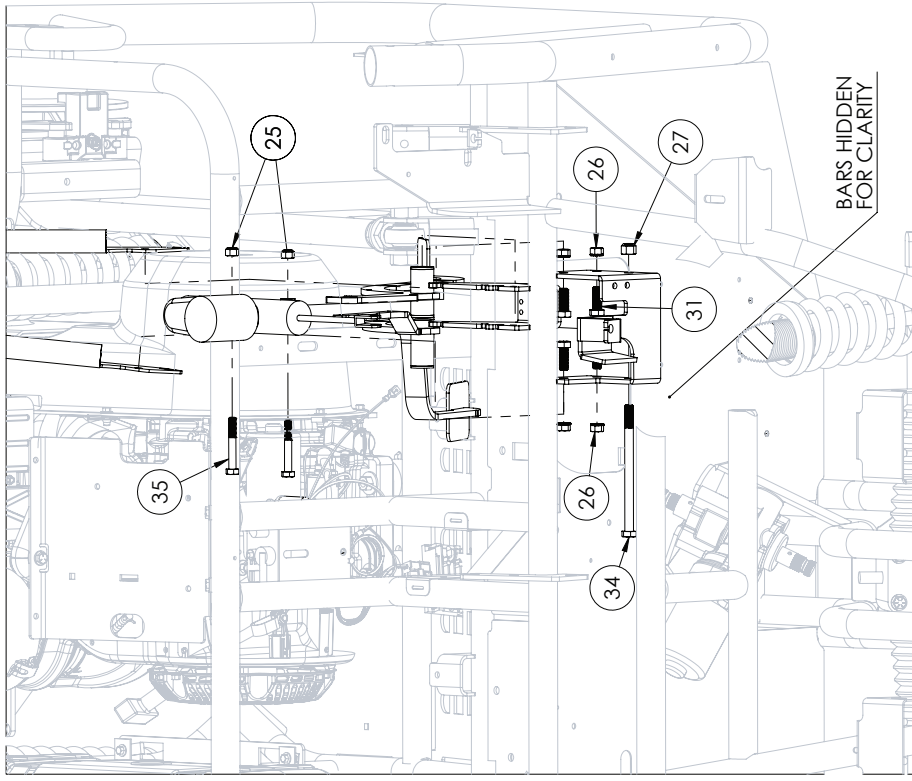
AMERICAN
LANDMASTER

FRONT TRANSAXLE ASSEMBLY **FRONT SUSPENSION / STEERING**
ILLUSTRATED PARTS LIST



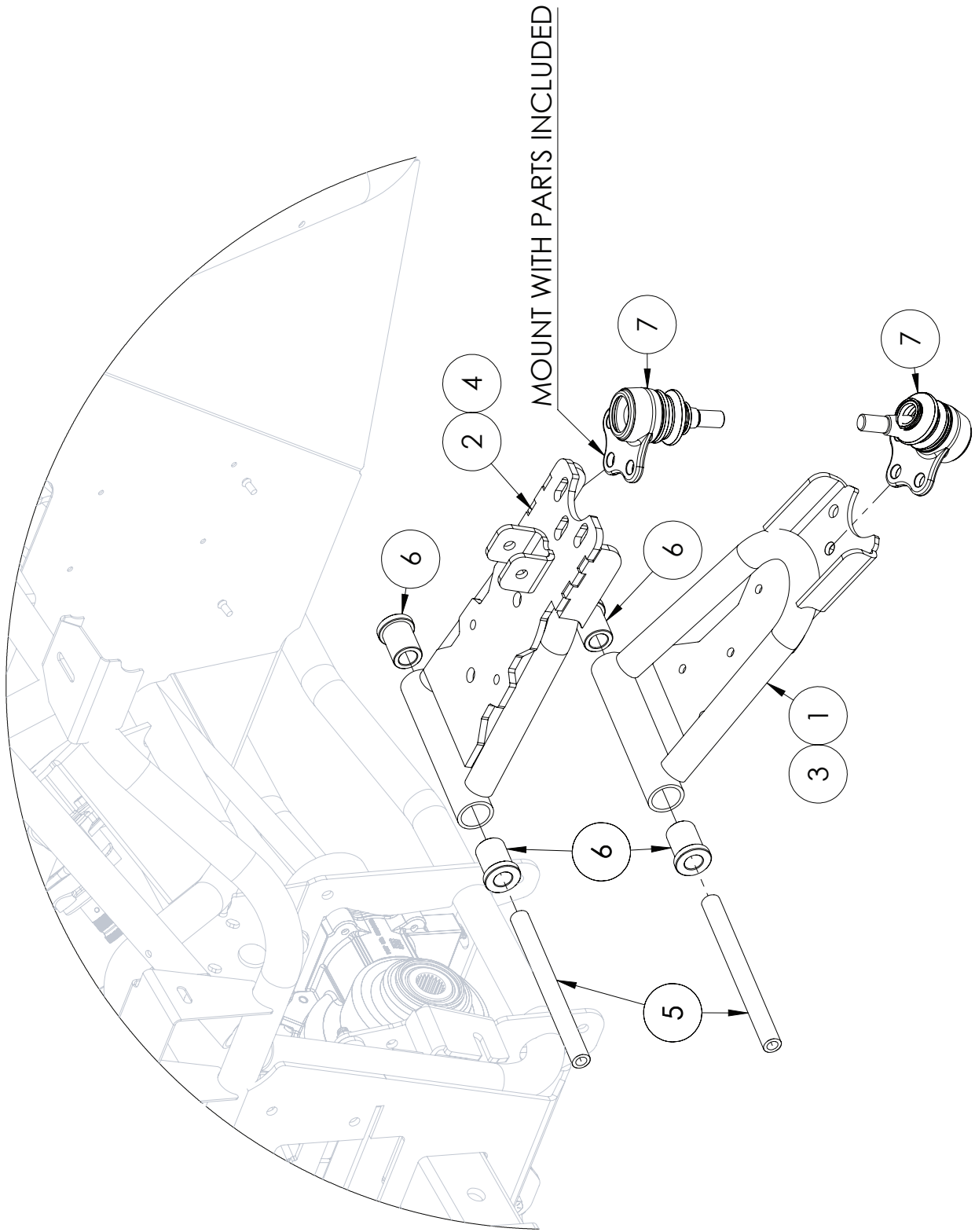


AMERICAN
LANDMASTER



NOTE: parts denoted as left hand (LH) or right hand (RH) are from driver's point of view.

REFERENCE NUMBER	PART NUMBER	PART DESCRIPTION	QUANTITY REQUIRED
1	18199-1	WDMT, A-ARM 48 LOWER-RAW	2
2	18200-1	WDMT, A-ARM 48 UPPER-RAW	2
3	18201-1	WDMT, A-ARM 56 LOWER-RAW	2
4	18202-1	WDMT, A-ARM 56 UPPER-RAW	2
5	2-42114	DOM, A-ARM SPACER	4
6	18191	BUSHING, 1" OD / .625" ID	8
7	18043	BALL JOINT, K7366	4





ILLUSTRATED PARTS LIST

This Illustrated Parts List covers the following 2021 model American LandMaster made Utility Vehicles

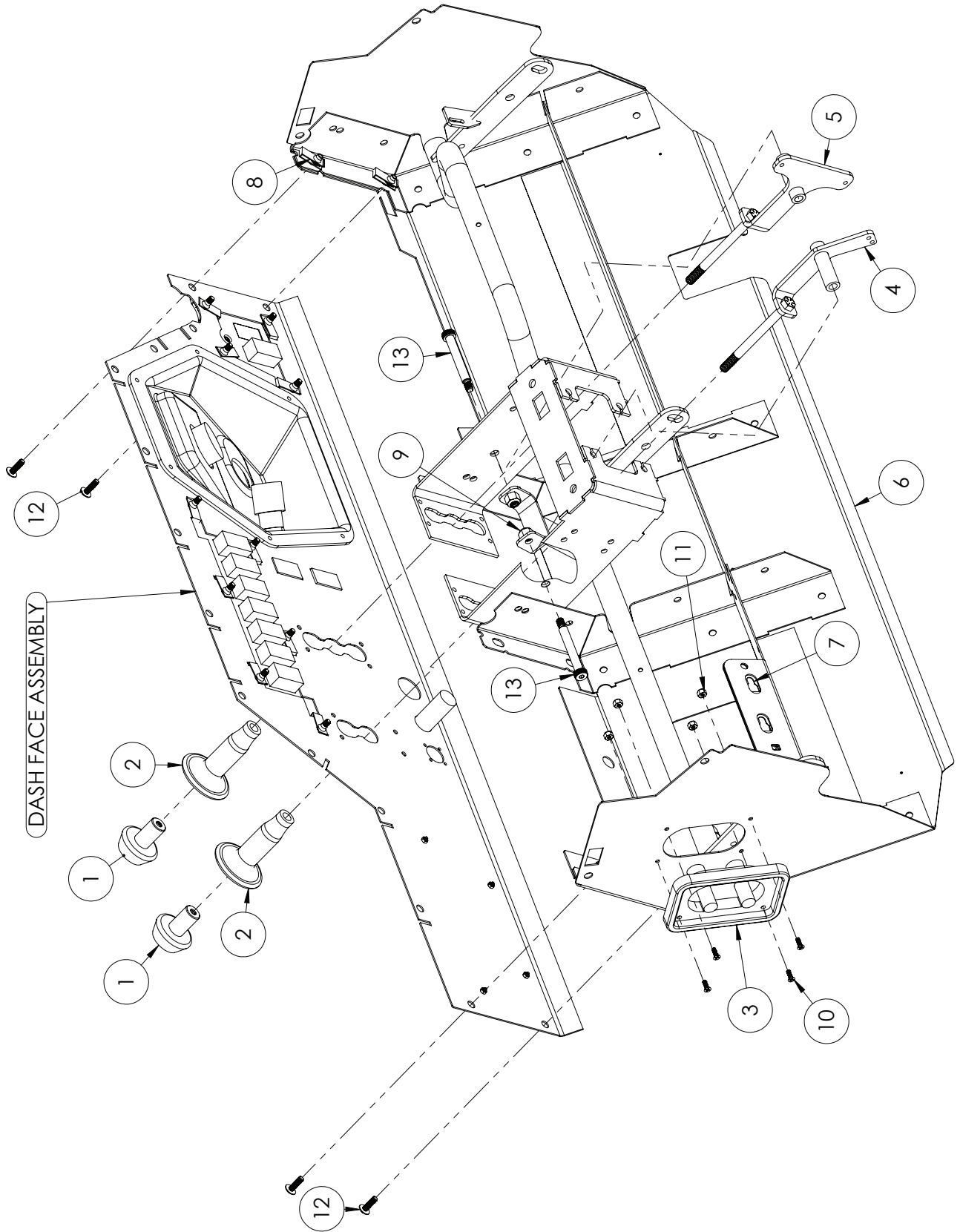
DASH / CONTROLS

NOTE: parts denoted as left hand (LH) or right hand (RH) are from driver's point of view.

REFERENCE NUMBER	PART NUMBER	PART DESCRIPTION	QUANTITY REQUIRED
1	18095	KNOB, SHIFTER	2
2	18096	SHIFTER, LIFTER	2
3	18357	BATTERY, EZ CHARGE REMOTE STUDS	1
4	18114-1	WDMT, DIFF SHIFTER	1
5	18112-1	WDMT, FNR SHIFTER	1
6	18354-1	WDMT, LOWER DASH STRUCTURE	1
7	18347	BRKT, PDM MOUNT	1
8	15823	NUT, CLIP ON TAPPED - M6 X 1.0; 11 GA MA	4
9	2-50010	NUT, 3/8-16 NYLOCK	2
10	18695	#8-32 1/2" TAPER FHS	4
11	18694	#8-32 NYLOCK NUT	4
12	18134	SCREW, M6 X 1 X 20 WIDE FLG BUTT HD SS	4
13	18360	BOLT, SHOULDER 2.5" X 3/8"	2
14	2-50817	PIN, PUSH-IN - PLASTIC	1

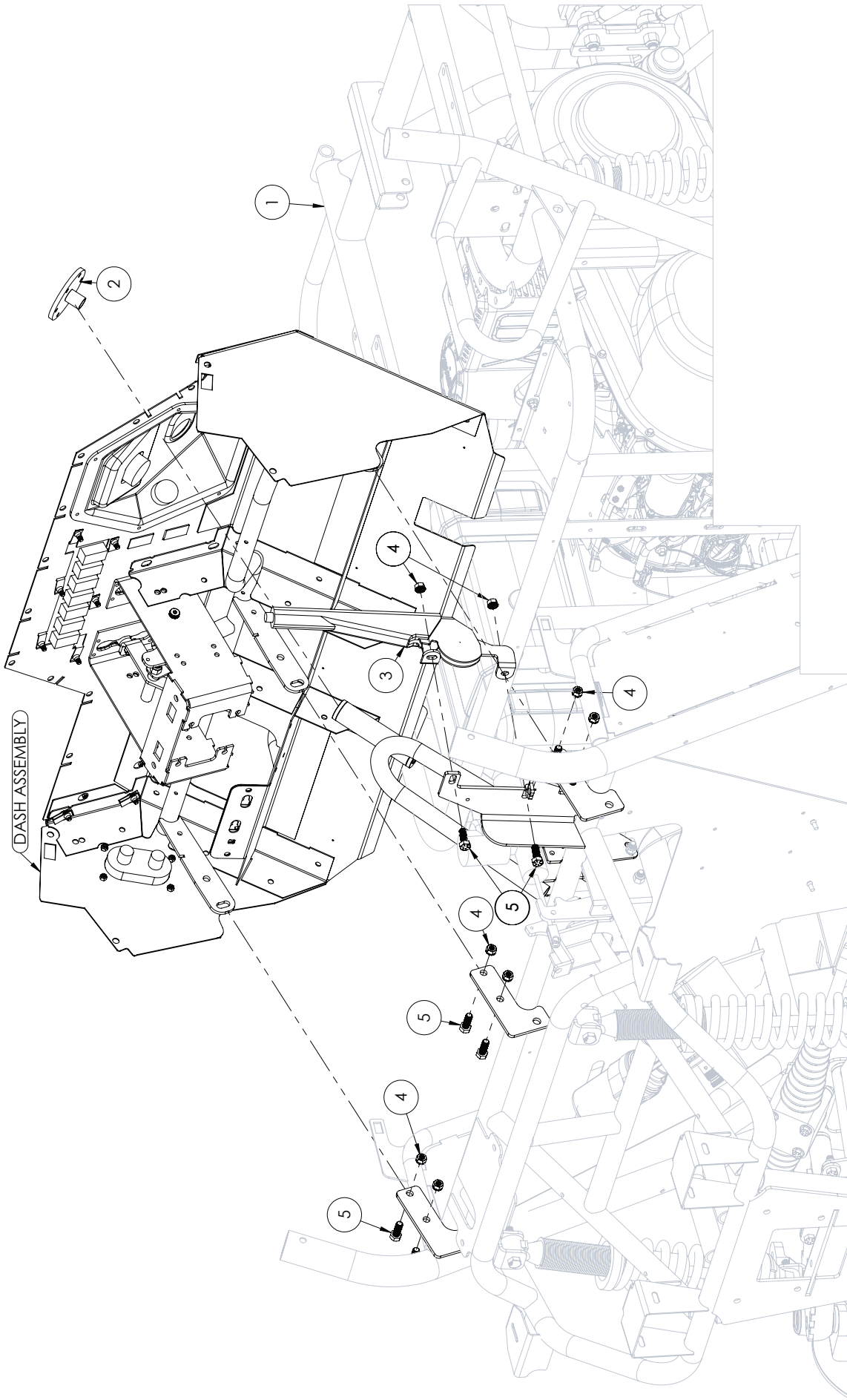


DASH / CONTROLS DASH ASSEMBLY



NOTE: parts denoted as left hand (LH) or right hand (RH) are from driver's point of view.

REFERENCE NUMBER	PART NUMBER	PART DESCRIPTION	QUANTITY REQUIRED
1	18190-1	WDMT, FRAME IRS STD CHASSIS	1
2	2-18169	STEERING HUB DISK (SEE SPECS)	1
3	18387	LEVER, PARK BRAKE	1
4	2-50005	NUT, 5/16-18 KEPS	8
5	2-50150	BOLT, 5/16-18 X 1 HEX HEAD G5	8



NOTE: parts denoted as left hand (LH) or right hand (RH) are from driver's point of view.

REFERENCE NUMBER	PART NUMBER	PART DESCRIPTION	QUANTITY REQUIRED
1	17823	GAUGE, 12V BATT VOLT/HOUR COMBO RND	1
2	2-70080	OUTLET, ACCESSORY-12V DC POWER	1
3	18380	LIGHT, WARNING ENGINE/OIL	1
4	18381	LIGHT, WARNING PARK/SEATBELT	1
5	18383	SWITCH, FLOOD/HEADLIGHT	1
6	18351-1	BRKT, 7 SWITCH PANEL - RAW	1
7	18075	DASH, STEERING COLUMN - ABS BLK	1
8	18356	NET, 4X9	1
9	18352	BRKT, LOWER DASH PANEL	1
10	18073-1	BRKT, DASH FACE - RAW	1
11	18484	SWITCH, IGNITION	1
12	18502	SWITCH, ROCKER, 2WD/4WD	1
13	16477	CABLE, CHOKE - 116" LONG	1
14	15823	NUT, CLIP ON TAPPED - M6 X 1.0; 11 GA MA	10
15	18506	ROCKER SWITCH HOLE PLUG	7
16	18134	SCREW, M6 X 1 X 20 WIDE FLG BUTT HD SS	10
17	18699	BOLT, #5-40 - 1/2 LONG	4
18	18698	NUT, #5-40 NYLOCK	4
19		PLASTIC PLUG	1
20		PLASTIC PLUG	1

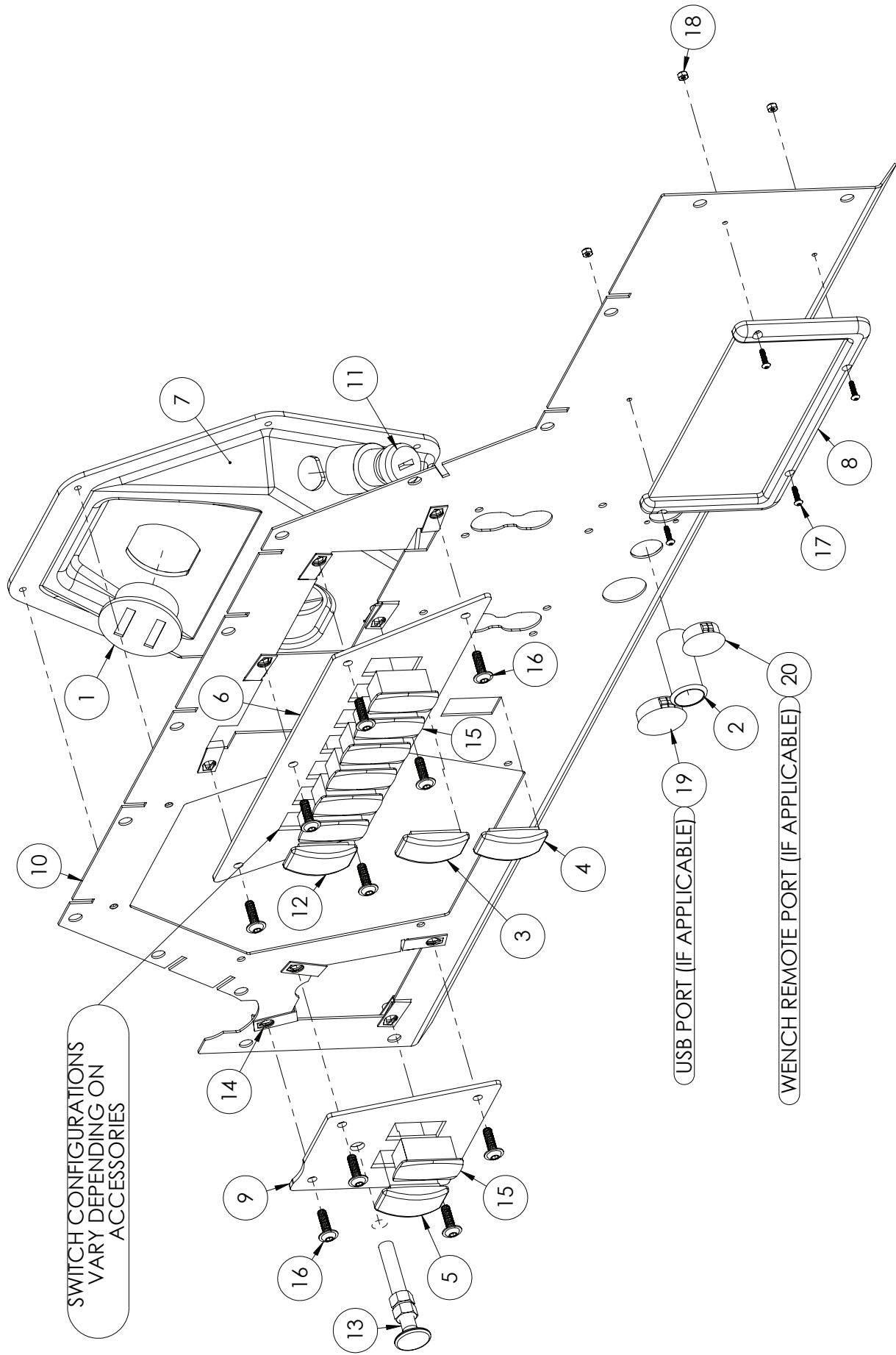


DASH / CONTROLS DASH FACE ASSEMBLY



AMERICAN
LANDMASTER

DASH FACE ASSEMBLY **DASH / CONTROLS**
ILLUSTRATED PARTS LIST





ILLUSTRATED PARTS LIST

This Illustrated Parts List covers the following 2021 model American LandMaster made Utility Vehicles

PLASTICS / SEATING

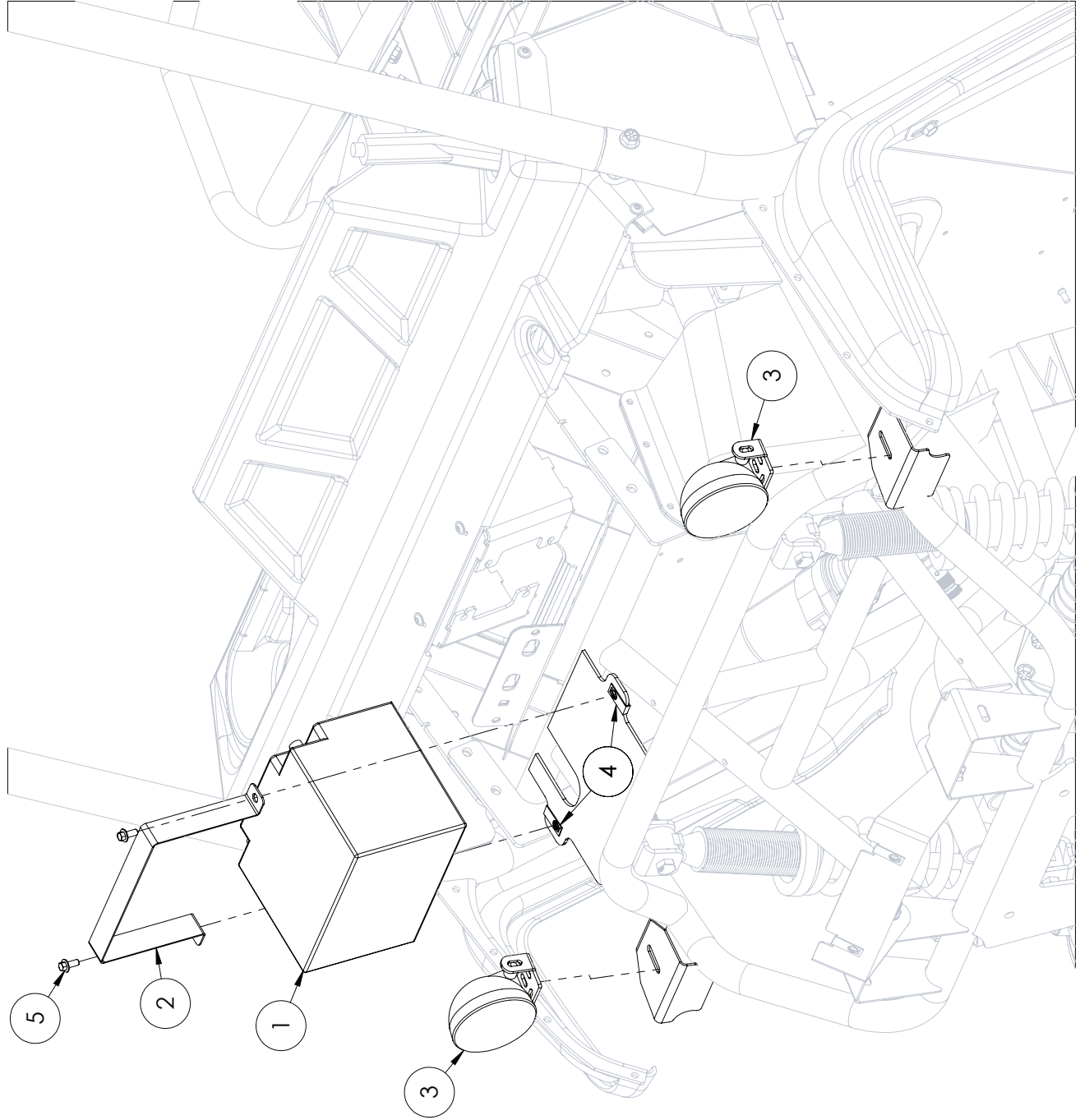
NOTE: parts denoted as left hand (LH) or right hand (RH) are from driver's point of view.

REFERENCE NUMBER	PART NUMBER	PART DESCRIPTION	QUANTITY REQUIRED
1	2-69998	BATTERY, UB12350 SEALED AGM - 315CCA	1
2	18126	BRKT, BATTERY HOLD DOWN 2021 - RAW	1
3	18609	LIGHT, HEAD LIGHT / WORK LIGHT	2
4	15823	NUT, CLIP ON TAPPED - M6 X 1.0; 11 GA MA	2
5	14426	BOLT, M6 X 1.0 X 14	2



GAS POWERED

PLASTICS / SEATING BATTERY & LIGHTS ASSEMBLY



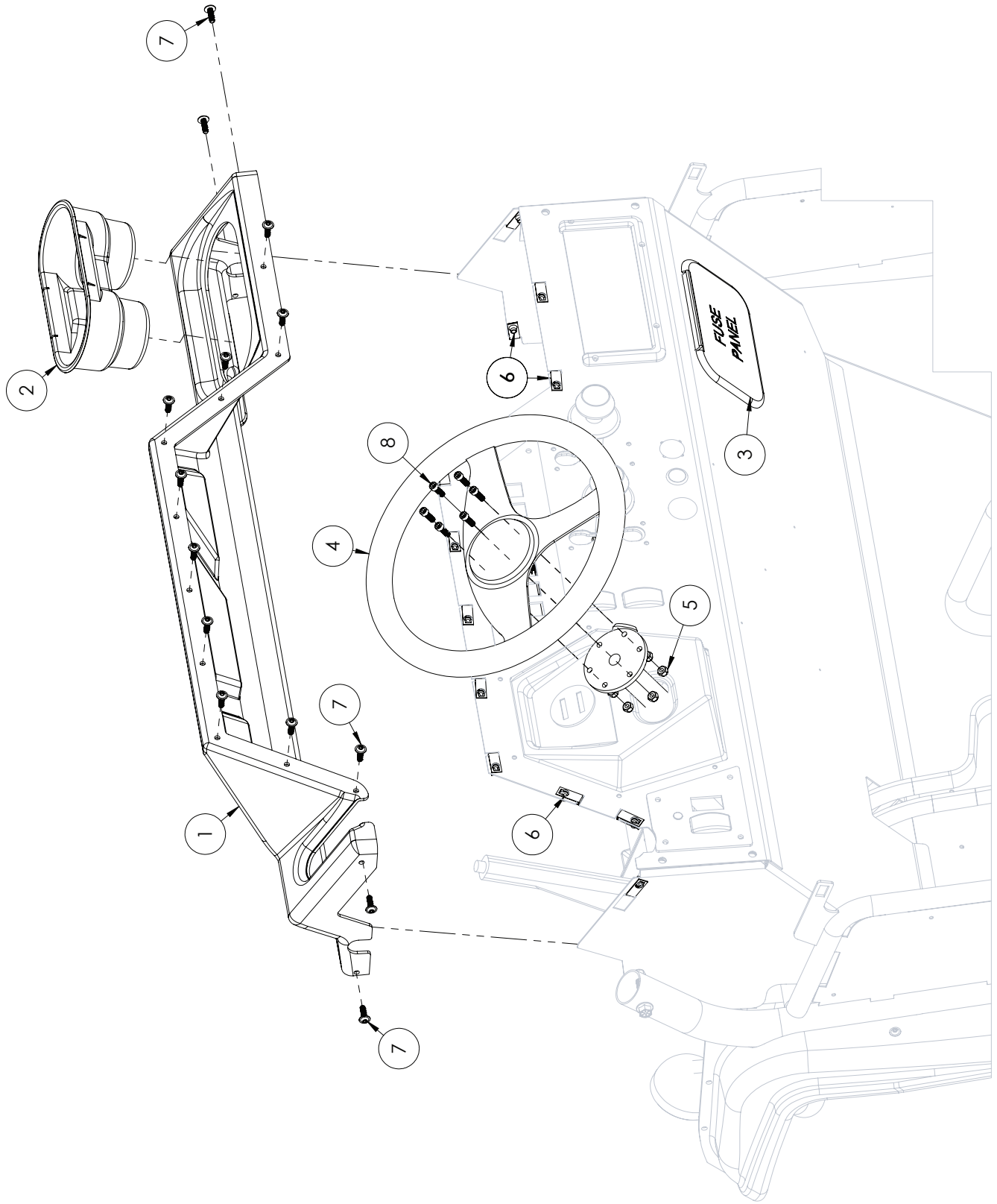
NOTE: parts denoted as left hand (LH) or right hand (RH) are from driver's point of view.

REFERENCE NUMBER	PART NUMBER	PART DESCRIPTION	QUANTITY REQUIRED
1	18072	DASH, THERMOFORMED TOP	1
2	14842	CUP HOLDER - 200 SERIES	1
3	18361	PANEL, DASH ACCESS	1
4	14845	STEERING WHEEL - 200S	1
5	2-50001	NUT, 1/4-20 NYLON LOCKING	6
6	15823	NUT, CLIP ON TAPPED - M6 X 1.0; 11 GA MA	14
7	18134	SCREW, M6 X 1 X 20 WIDE FLG BUTT HD SS	14
8	2-50636	BOLT, 1/4IN X 3/4IN SOCKET HEAD (SS)	6



GAS POWERED

PLASTICS / SEATING DASH TOP & STEERING ASSEMBLY

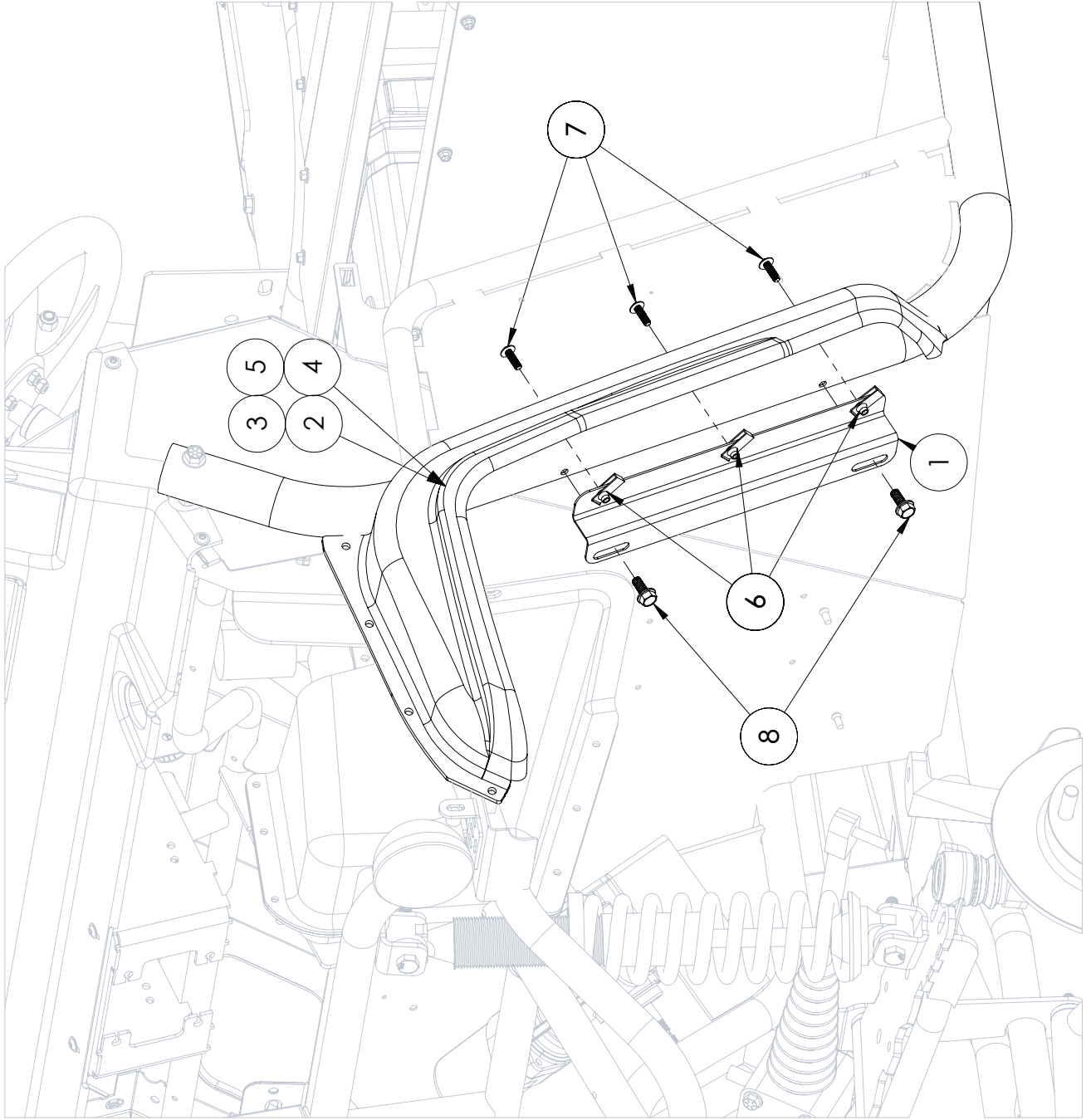


NOTE: parts denoted as left hand (LH) or right hand (RH) are from driver's point of view.

REFERENCE NUMBER	PART NUMBER	PART DESCRIPTION	QUANTITY REQUIRED
1	18133-1	BRKT, FRONT FENDER - RAW	2
2	18754	FENDER, FRONT LH - 48	1
3	18755	FENDER, FRONT RH - 48	1
4	18166	FENDER, FRONT LH - 56	1
5	18167	FENDER, FRONT RH - 56	1
6	15823	NUT, CLIP ON TAPPED - M6 X 1.0; 11 GA MA	6
7	18134	SCREW, M6 X 1 X 20 WIDE FLG BUTT HD SS	6
8	19076	SCREW, 5/16 X1.00 UNSLT HWSDS	4

 GAS POWERED

PLASTICS / SEATING FRONT FENDER ASSEMBLY



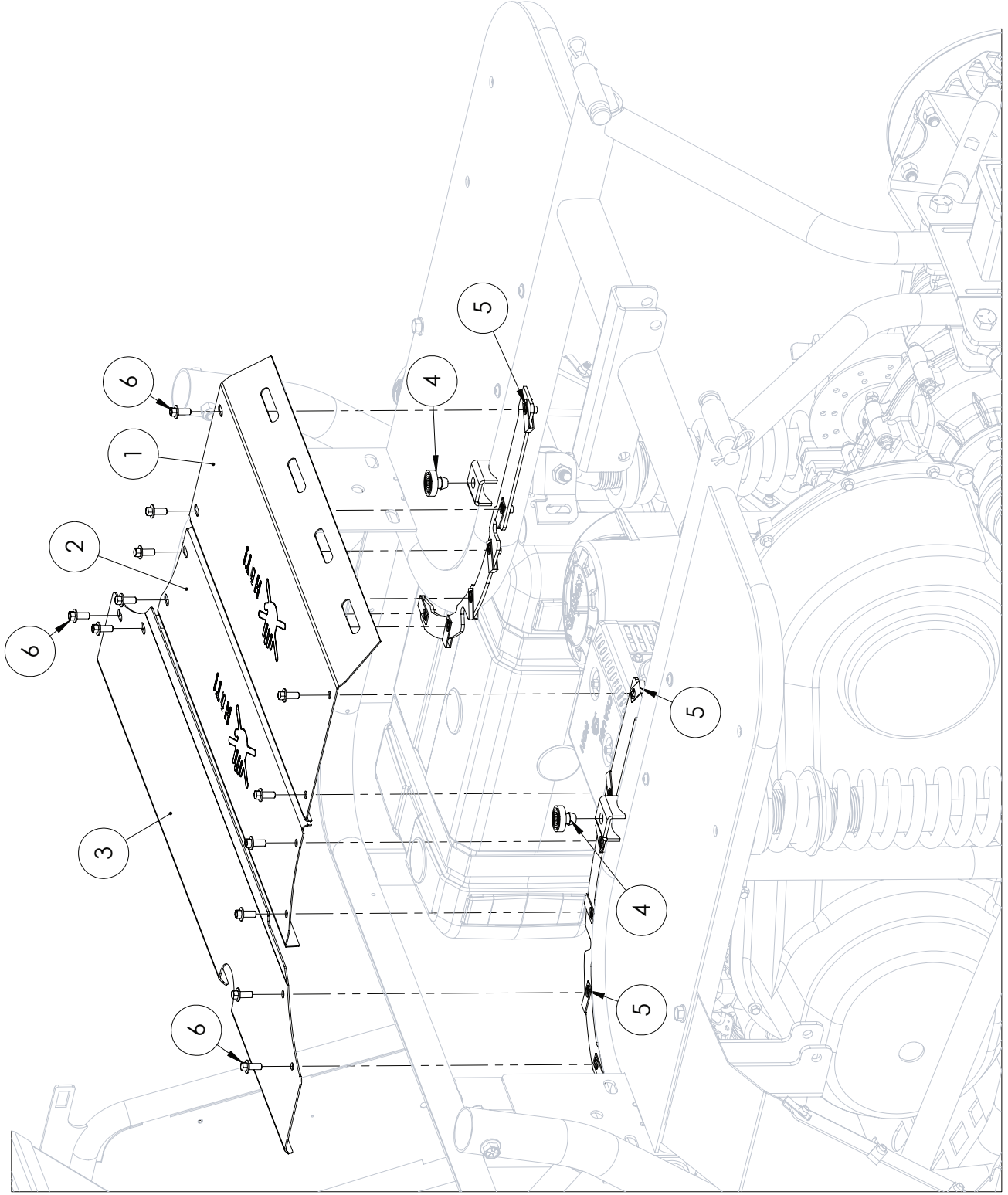
NOTE: parts denoted as left hand (LH) or right hand (RH) are from driver's point of view.

REFERENCE NUMBER	PART NUMBER	PART DESCRIPTION	QUANTITY REQUIRED
1	16787	PLATE, HEAT SHIELD 2WD - REAR	1
2	16797	PLATE, HEAT SHIELD - 4WD - FWD	1
3	18212-1	SHIELD, UNDERSEAT - RAW	1
4	2-18413	BED BUMPER 1.5 INCH (RUBBER)	2
5	15823	NUT, CLIP ON TAPPED - M6 X 1.0; 11 GA MA	12
6	14426	BOLT, M6 X 1.0 X 14	12



GAS POWERED

PLASTICS / SEATING HEAT SHIELDS ASSEMBLY



NOTE: parts denoted as left hand (LH) or right hand (RH) are from driver's point of view.

REFERENCE NUMBER	PART NUMBER	PART DESCRIPTION	QUANTITY REQUIRED
1	18362-1	WDMT, OH B PILLAR - MY21 - RAW	1
2	18551-1	WDMT, OH ROPS MY21 - RAW	1
3	19018	BOLT, 3/8"-16 X 2.25" FLANGE HEAD BLACK GRADE 5	6
4	19019	NUT, 3/8"-16 NYLON INSERT GRADE 5 BLACK FLANGE NYLOCK	6



GAS POWERED

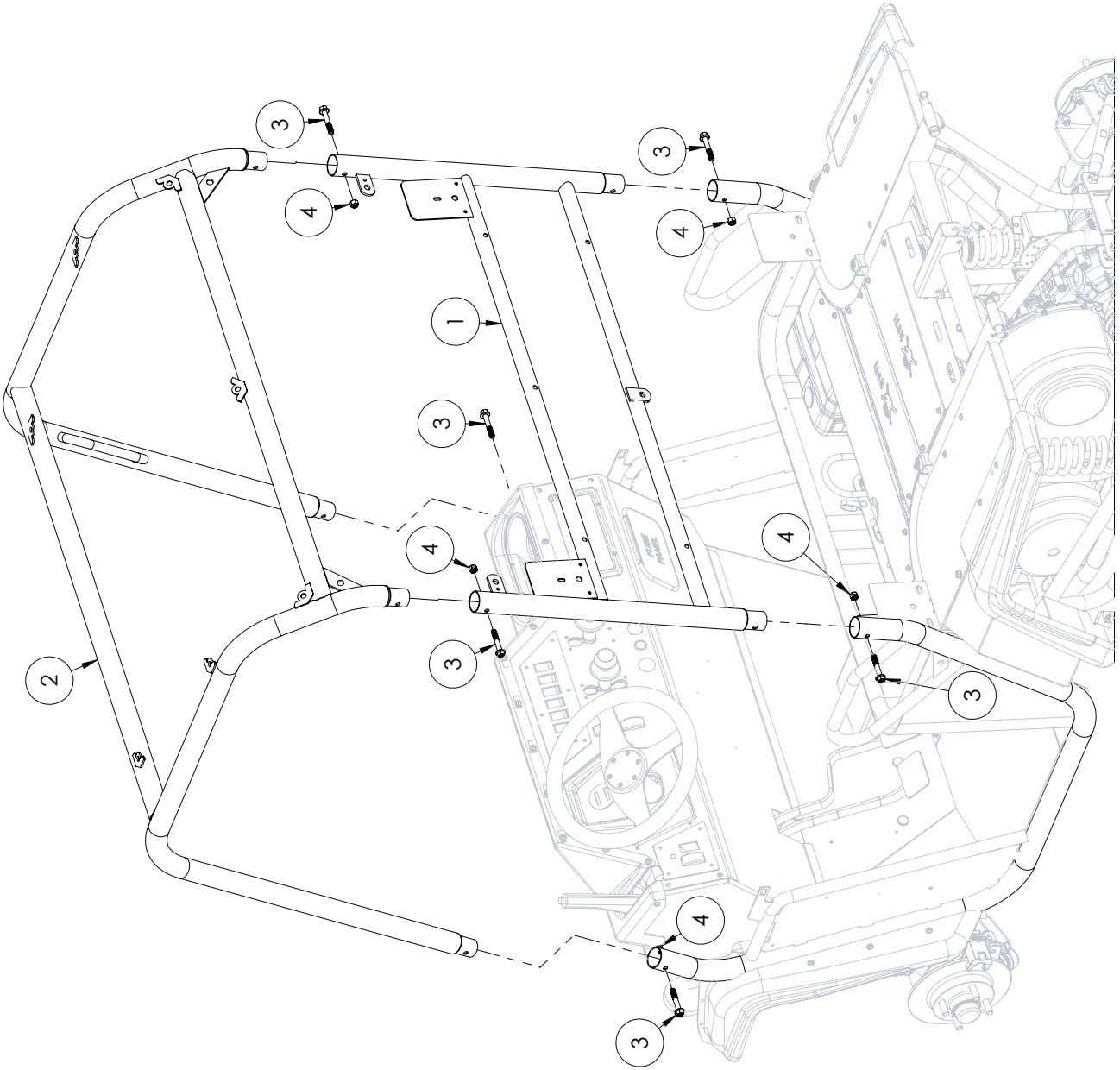
PLASTICS / SEATING OH BARS ASSEMBLY



AMERICAN
LANDMASTER

OH BARS ASSEMBLY

PLASTICS / SEATING
ILLUSTRATED PARTS LIST



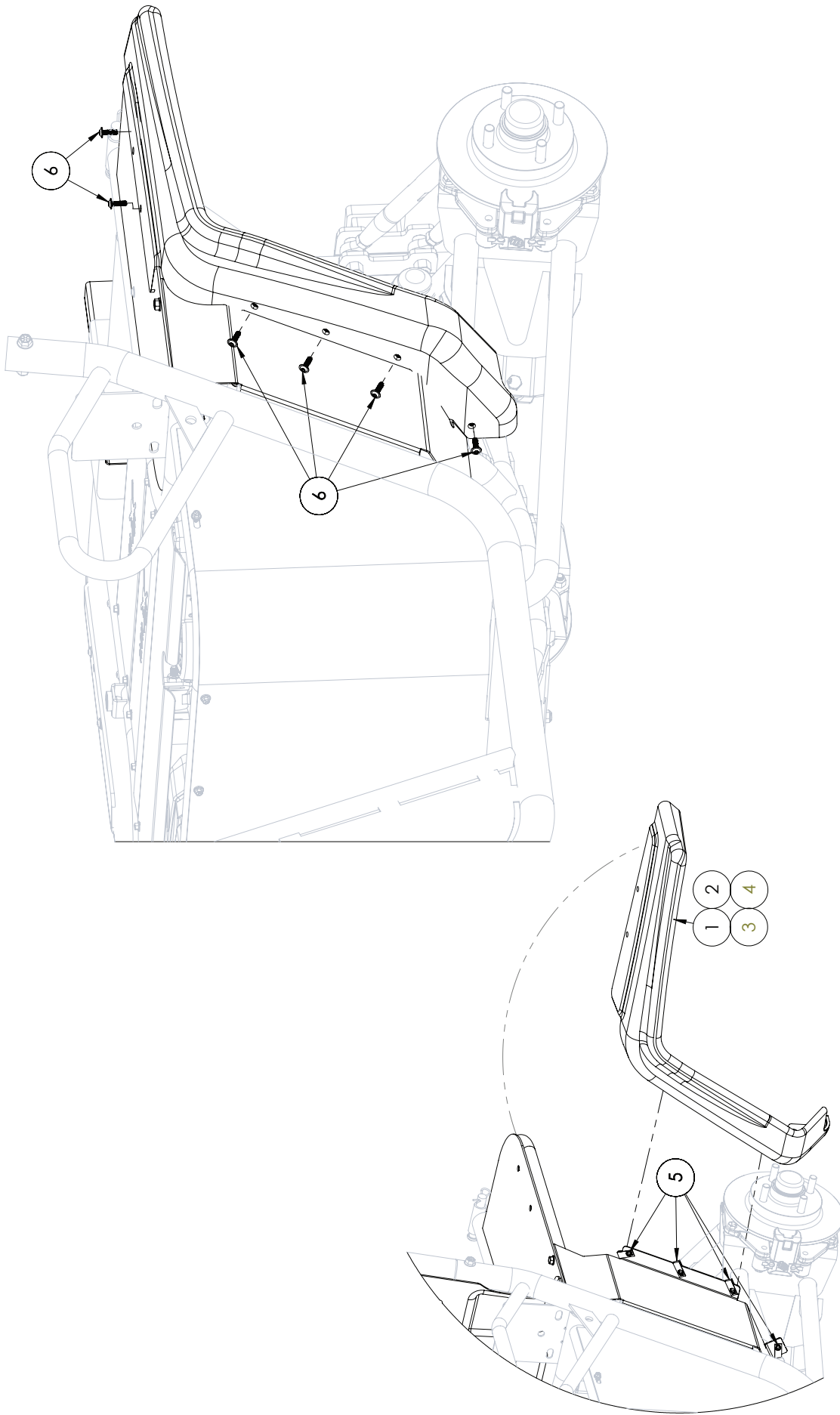
NOTE: parts denoted as left hand (LH) or right hand (RH) are from driver's point of view.

REFERENCE NUMBER	PART NUMBER	PART DESCRIPTION	QUANTITY REQUIRED
1	18164	FENDER, REAR LH - 48	1
2	18165	FENDER, REAR RH- 48	1
3	18162	FENDER, REAR LH- 56	1
4	18163	FENDER, REAR RH- 56	1
5	15823	NUT, CLIP ON TAPPED - M6 X 1.0; 11 GA MA	4
6	18134	SCREW, M6 X 1 X 20 WIDE FLG BUTT HD SS	6



GAS POWERED

PLASTICS / SEATING REAR FENDER ASSEMBLY



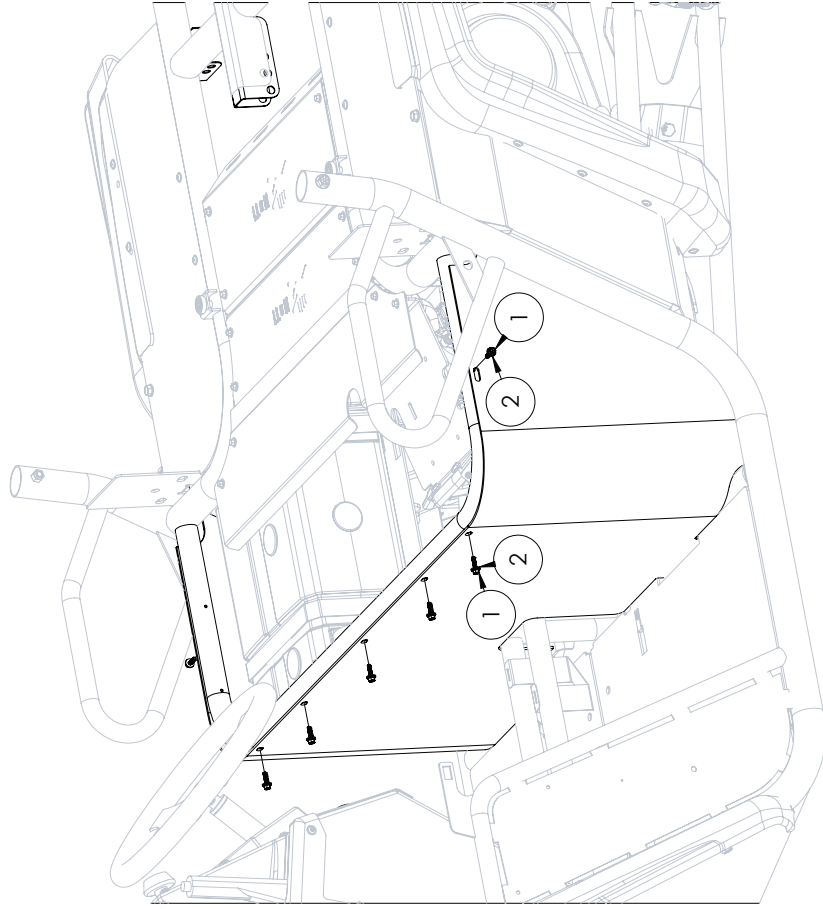
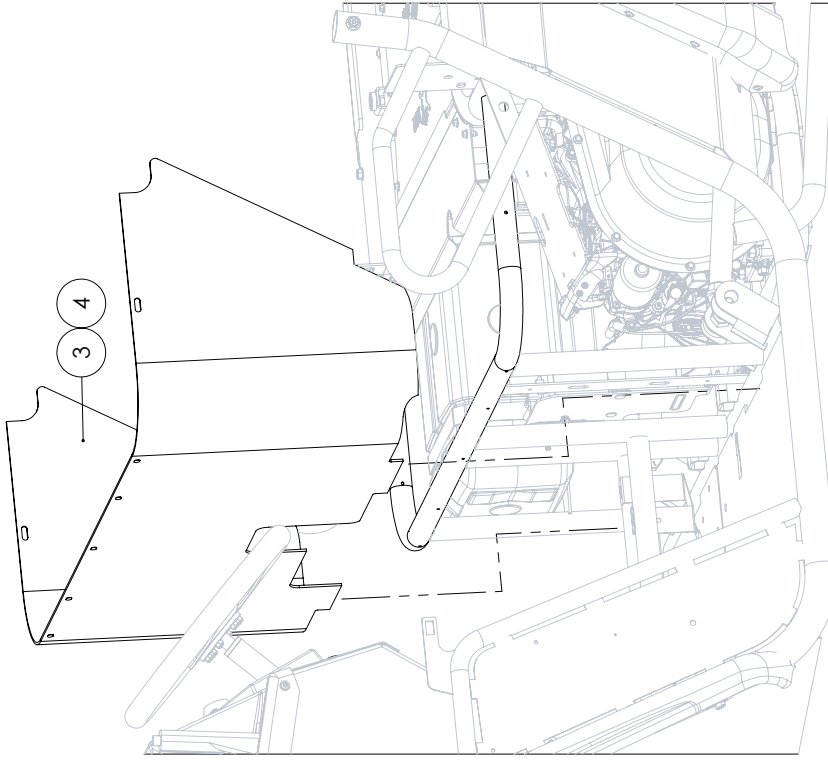
NOTE: parts denoted as left hand (LH) or right hand (RH) are from driver's point of view.

REFERENCE NUMBER	PART NUMBER	PART DESCRIPTION	QUANTITY REQUIRED
1	2-50630	SCREW, #10 X 3/4IN HEX WASHER TEK-BLK	7
2	2-50770	WASHER, #10 SAE FLAT	7
3	19021	SURROUND, 4WD SEAT - MATTE BLK	1
4	19020	SURROUND, SEAT PLASTIC - L7	1



GAS POWERED

PLASTICS / SEATING SEAT SURROUND ASSEMBLY



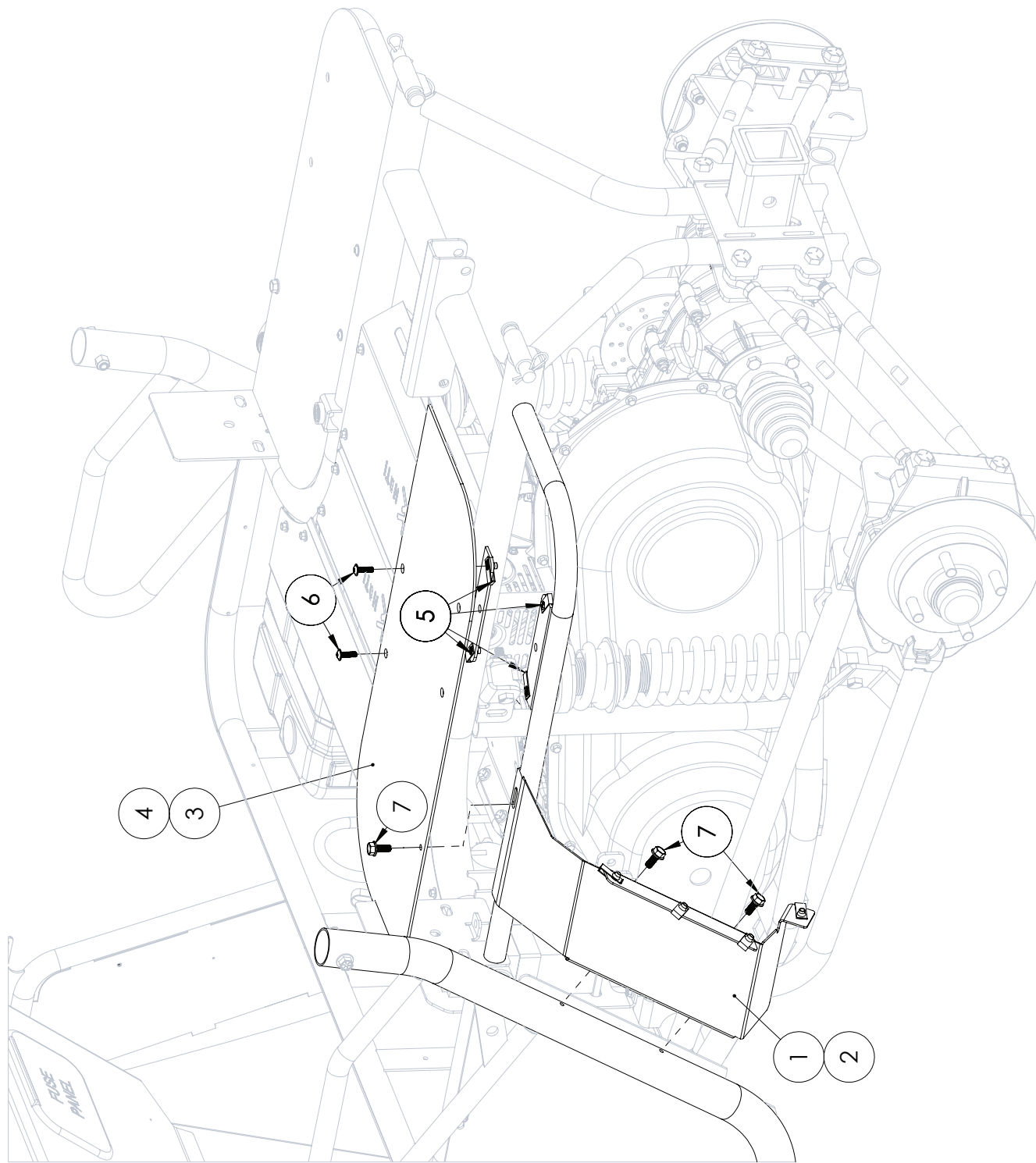
NOTE: parts denoted as left hand (LH) or right hand (RH) are from driver's point of view.

REFERENCE NUMBER	PART NUMBER	PART DESCRIPTION	QUANTITY REQUIRED
1	18155-1	SKIRT, SIDE LH - RAW	1
2	18156-1	SKIRT, SIDE RH - RAW	1
3	18508	PANEL, FENDER TOP LH NO DUMP	1
4	18509	PANEL, FENDER TOP RH	1
5	15823	NUT, CLIP ON TAPPED - M6 X 1.0; 11 GA MA	8
6	18134	SCREW, M6 X 1 X 20 WIDE FLG BUTT HD SS	4
7	19076	SCREW, 5/16 X1.00 UNSLT HWSDS	6



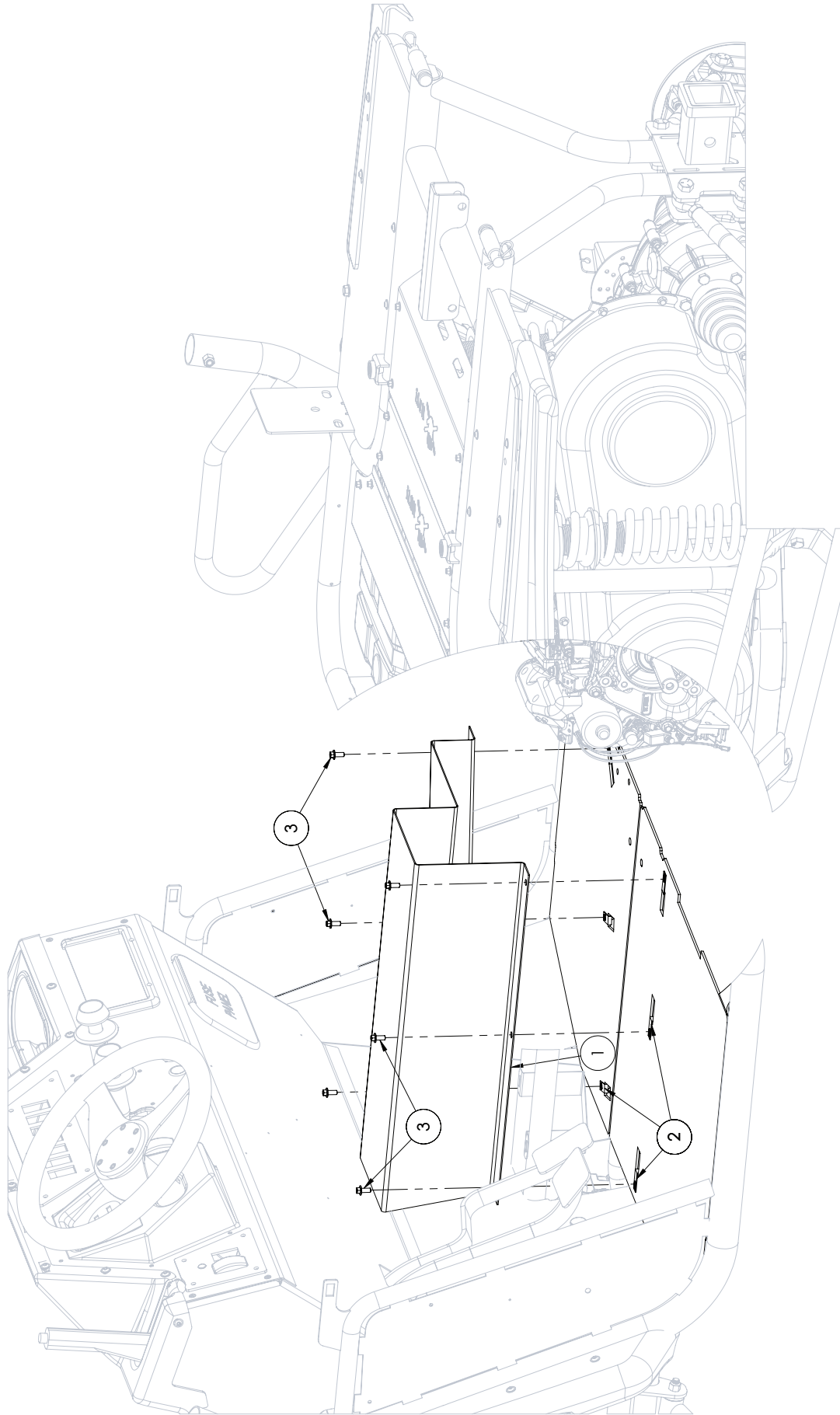
AMERICAN
LANDMASTER

SKIRT AND UPPER FENDER ASSEMBLY **PLASTICS / SEATING**
ILLUSTRATED PARTS LIST



NOTE: parts denoted as left hand (LH) or right hand (RH) are from driver's point of view.

REFERENCE NUMBER	PART NUMBER	PART DESCRIPTION	QUANTITY REQUIRED
1	18158	BRKT, 4WD TUNNEL	1
2	15823	NUT, CLIP ON TAPPED - M6 X 1.0; 11 GA MA	6
3	14426	BOLT, M6 X 1.0 X 14	6



ELECTRIC & GAS DECALS



Name Plates -

Passenger Side	Driver Side
L3-18570	L3-18577
L4-18571	L4-18578
L5-18574	L5- 18580
L7-18572	L7-18579
L7x-18575	L7X-18581
EV-18576	EV-18582



18545

4x4 Bed Decal

*For 4WD vehicles only



18543

Side Hood Decal

*All vehicles get 2qty. One on each side of the vehicle



18546

Side Dash Decal

*All vehicles get 1qty on the driver side dash



18547

Front Hood Emblem



19162

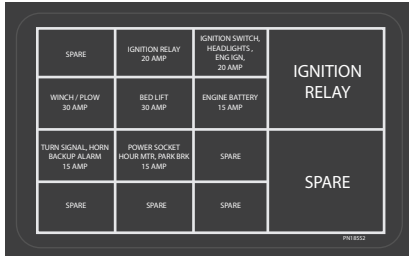
Rear Bed Decal

(goes on all units)



18568

Center Steering Wheel Logo



18552

Fuse Box Label all models gas and electric

GAS ONLY DECALS



18559

Drive Lever



18560

Differential Lever

ELECTRIC ONLY DECALS



18585

Electric Drive Decal

Electric Powered 48v
EXTENDED RANGE WITH QUIET RIDE COMFORT

18586

Center Dash Decal For EV

NETS



Full Size Units (L4, L5, L7, L7xl PRO)

PN: 18848	Passenger
PN: 18815	Driver

Crew Size Units (L7x only)

PN: 18846	Passenger
PN: 18849	Driver
PN: 19077	Driver Rear
PN: 19078	Passenger Rear