



ILLUSTRATED PARTS LIST

This Illustrated Parts List covers the following 2021 model American LandMaster made Utility Vehicles

4x2 (Models: L4)

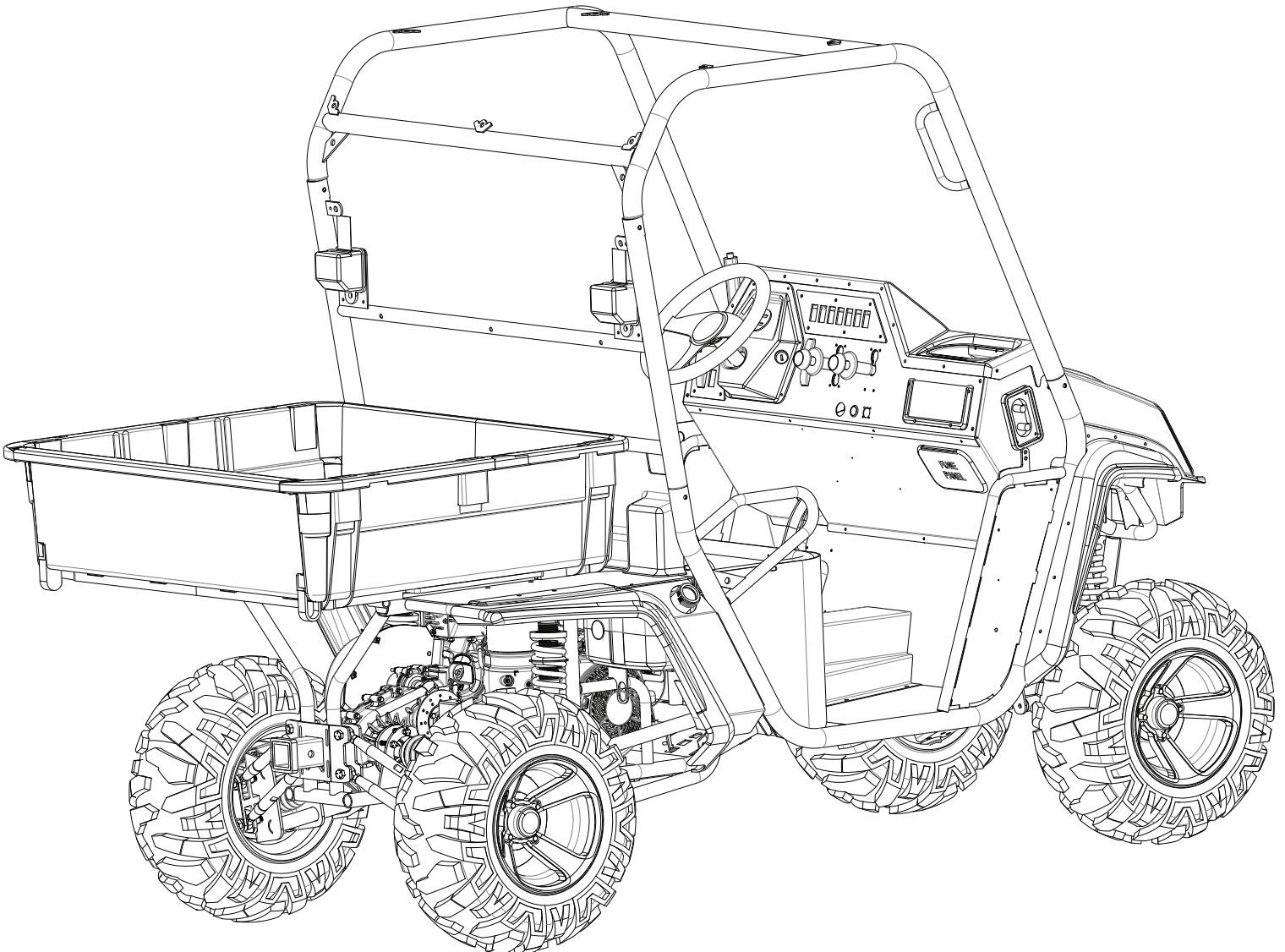


Table of Contents

Section 1	Drivetrain	pages 2-9
Section 2	Rear Suspension	pages 10-17
Section 3	Front Suspension / Steering	pages 18-23
Section 4	Dash / Controls	pages 24-30
Section 5	Plastics / Seating	pages 31-51
Section 6	Decals	pages 52-53
Section 7	Nets	pages 54



ILLUSTRATED PARTS LIST

This Illustrated Parts List covers the following 2021 model American LandMaster made Utility Vehicles

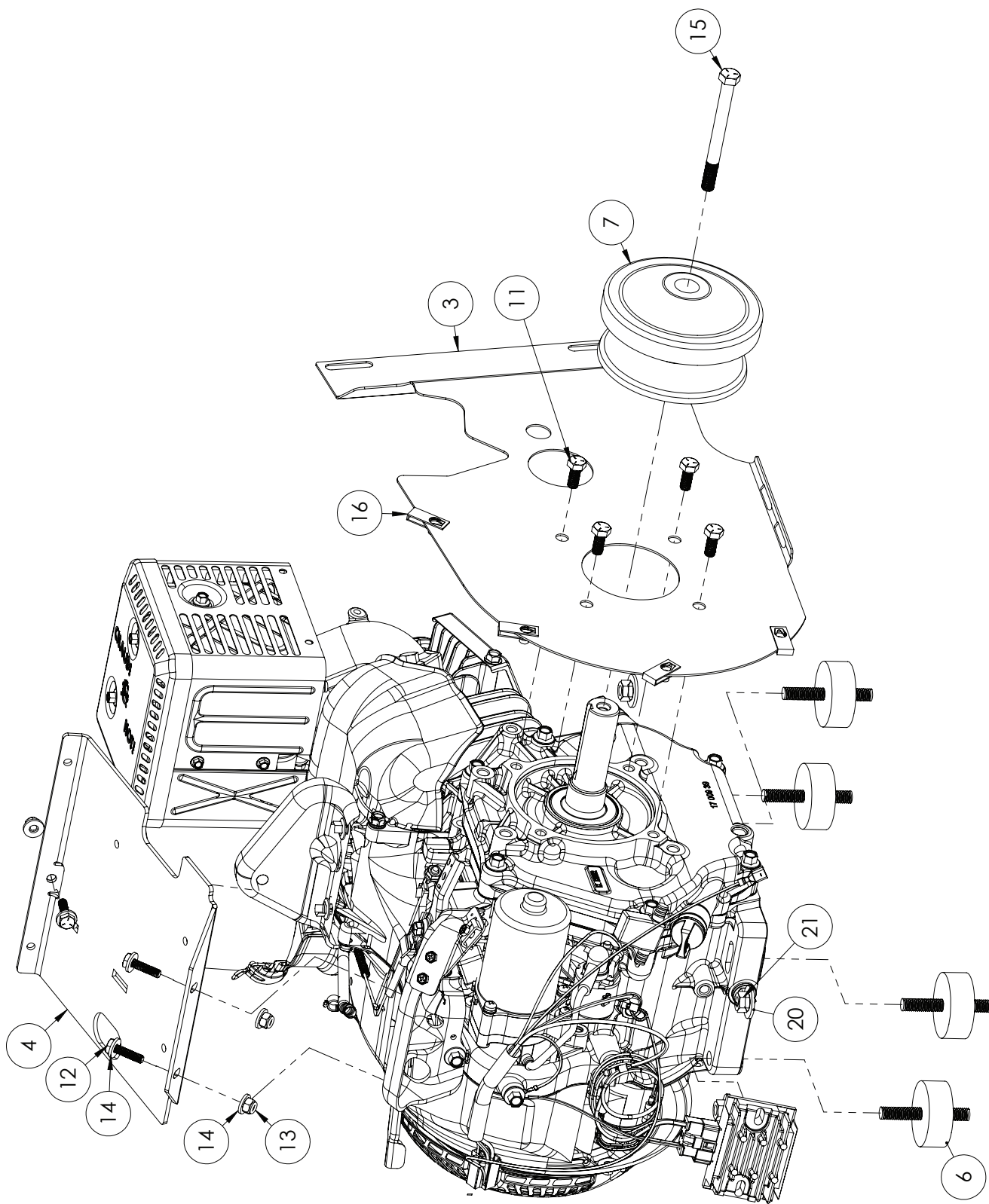
DRIVETRAIN

NOTE: parts denoted as left hand (LH) or right hand (RH) are from driver's point of view.

REFERENCE NUMBER	PART NUMBER	PART DESCRIPTION	QUANTITY REQUIRED
1	18190-1	WDMT, FRAME IRS STD CHASSIS	1
2	16755	KIT, ENGINE INSTALL:KOHLER ECH440	1
3	18814-1	PLATE, BACK CV COVER - L4	1
4	17029	PLATE, THROTTLE GUARD	1
5	18900-1	BRKT, HORZ MNT - L4 - RAW	1
6	18904	ISOLATOR, 70DUR	4
7	17815	DRIVER, CVT - WHITE DOT - 450	1
8	18976	ISOLATOR, RUBBER 68DUR	1
9	18118	BELT, CVT SMALL DRIVEN	1
10	18828	COVER CVT FRONT - L7	1
11	2-50157	BOLT, 5/16IN-24 X 3/4IN HEX HEAD G5 FT	4
12	2-50087	BOLT, 1/4"-20 X 1"	3
13	2-50001	NUT, 1/4-20 NYLON LOCKING	6
14	2-50717	WASHER, 1/4IN SAE FLAT	6
15	2-50226	BOLT, 3/8IN W/TAPERED HEAD (CVTECH DRVR)	1
16	15823	NUT, CLIP ON TAPPED - M6 X 1.0; 11 GA MA	10
17	2-50005	NUT, 5/16-18 KEPS	7
18	2-50150	BOLT, 5/16-18 X 1 HEX HEAD G5	2
19	2-50010	NUT, 3/8-16 NYLOCK	4
20	2-50740	WASHER, 3/8IN USS FLAT WASHER	8
21	15442	NUT, 3/8"-16 HEX CENTERLOCK	4
22	14426	BOLT, M6 X 1.0 X 14	10

 GAS POWERED

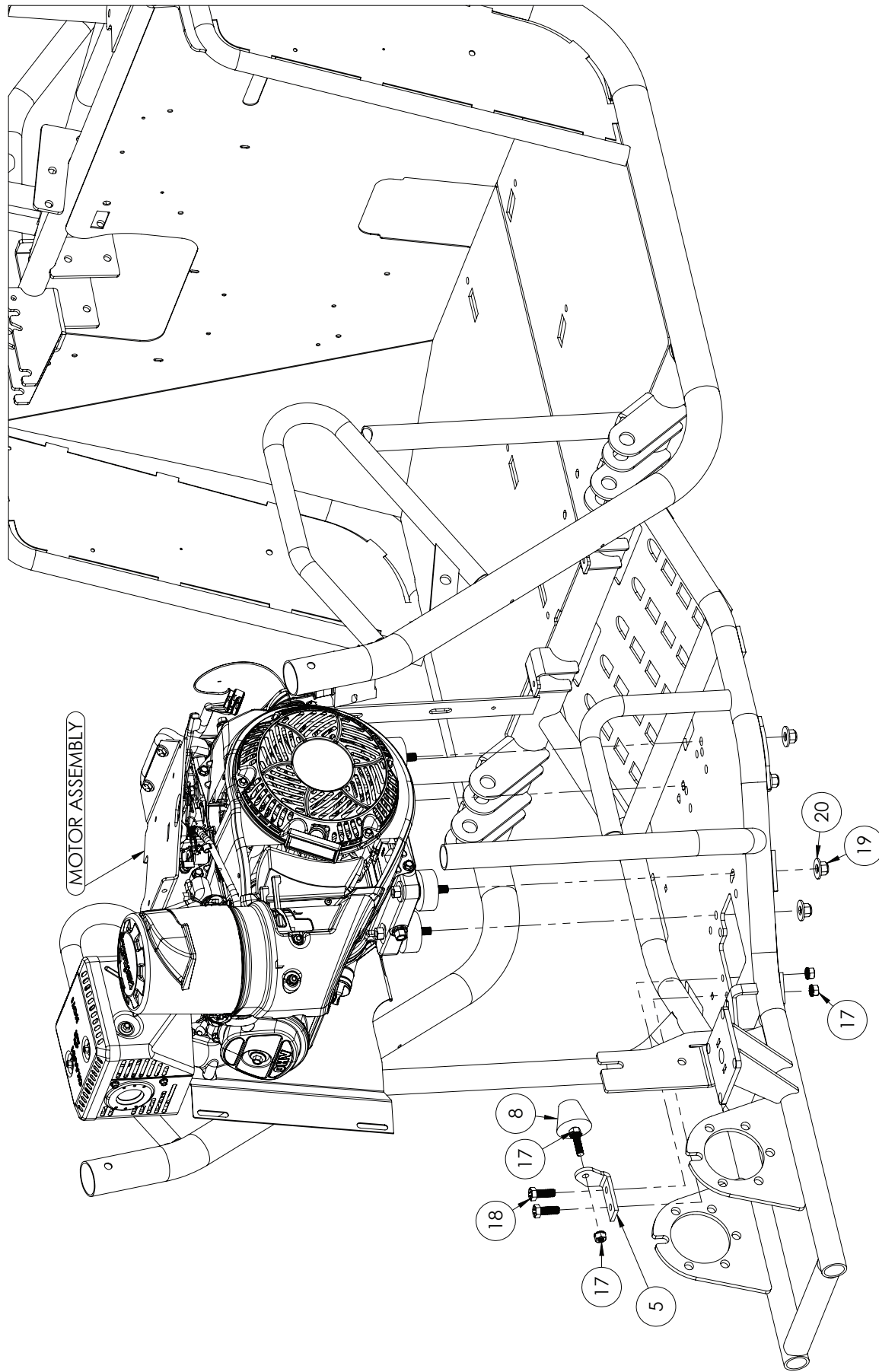
DRIVETRAIN MOTOR ASSEMBLY





AMERICAN
LANDMASTER

MOTOR ASSEMBLY **DRIVETRAIN**
ILLUSTRATED PARTS LIST



NOTE: parts denoted as left hand (LH) or right hand (RH) are from driver's point of view.

REFERENCE NUMBER	PART NUMBER	PART DESCRIPTION	QUANTITY REQUIRED
1	18190-1	WDMT, FRAME IRS STD CHASSIS	1
2	17923	HUB, 4WD COUPLER / ROTOR MOUNT	1
3	17986	CALIPER, MECHANICAL AUSCO	1
4	18080	DISC, FRONT BRAKE - 7150	1
5	18795-1	PLATE, BACK CVT REAR - RAW	1
6	18057	AXLE, TRANSAXLE IRS 13.25:1	1
7	16830	SPACER, TRANSAXLE SHIFTER INPUT	1
8	18124	BRKT, DIFF LOCK 2WD	1
9	16623	BRACKET, SHIFTER INPUT	1
10	16541	DRIVEN, CVT - 4X2	1
11	18901	COVER, CVT REAR	1
12	19003	BOLT. 3/8 - 16 X 2.75IN	5
13	2-50206	BOLT, 5/16"-18 x .75" HHCS BLK	5
14	19005	SCREW, SET 3/8-16 X 0.50 CUP POINT / PATCH LOK	2
15	2-50084	BOLT, 1/4"-20 x .75" BLK	3
16	15823	NUT, CLIP ON TAPPED - M6 X 1.0; 11 GA MA	10
17	2-50005	NUT, 5/16-18 KEPS	7
18	16868	NUT, M12 X 1.25 INTERFERENCE TOP LOCK	1
19	2-50239	BOLT, 1/2"-20 X 2" HH G5 FT	1
20	2-50722	WASHER, 1/2IN LOCK WASHER	1
21	2-50747	WASHER, 0.515IN X 1.25IN X 0.125IN	1
22	2-50150	BOLT, SERRATED 5/16" - 18 X 3/4"	3
23	14426	BOLT, M6 X 1.0 X 14	10
24	2-50001	NUT, 1/4-20 NYLON LOCKING	3

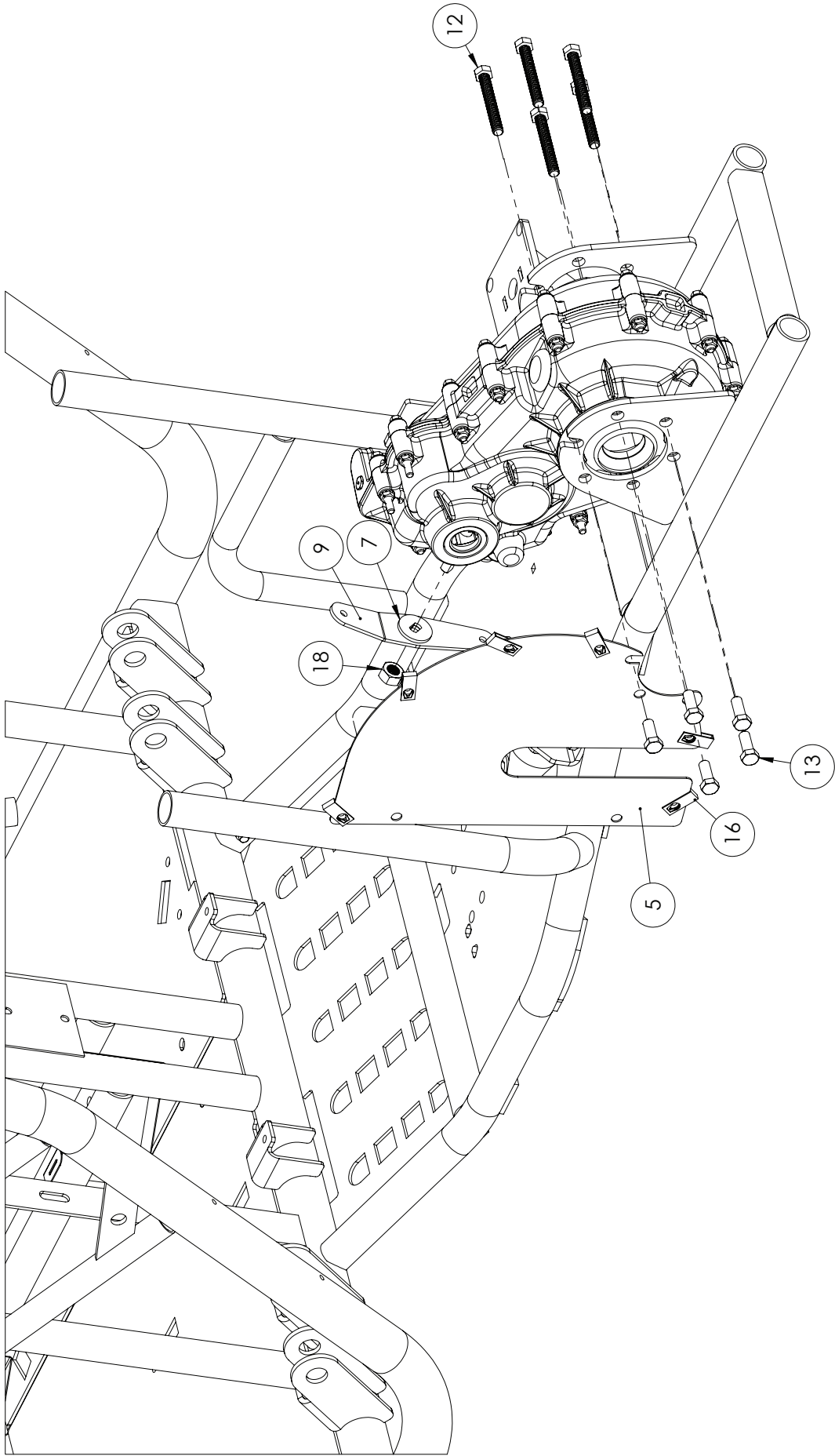
GAS POWERED

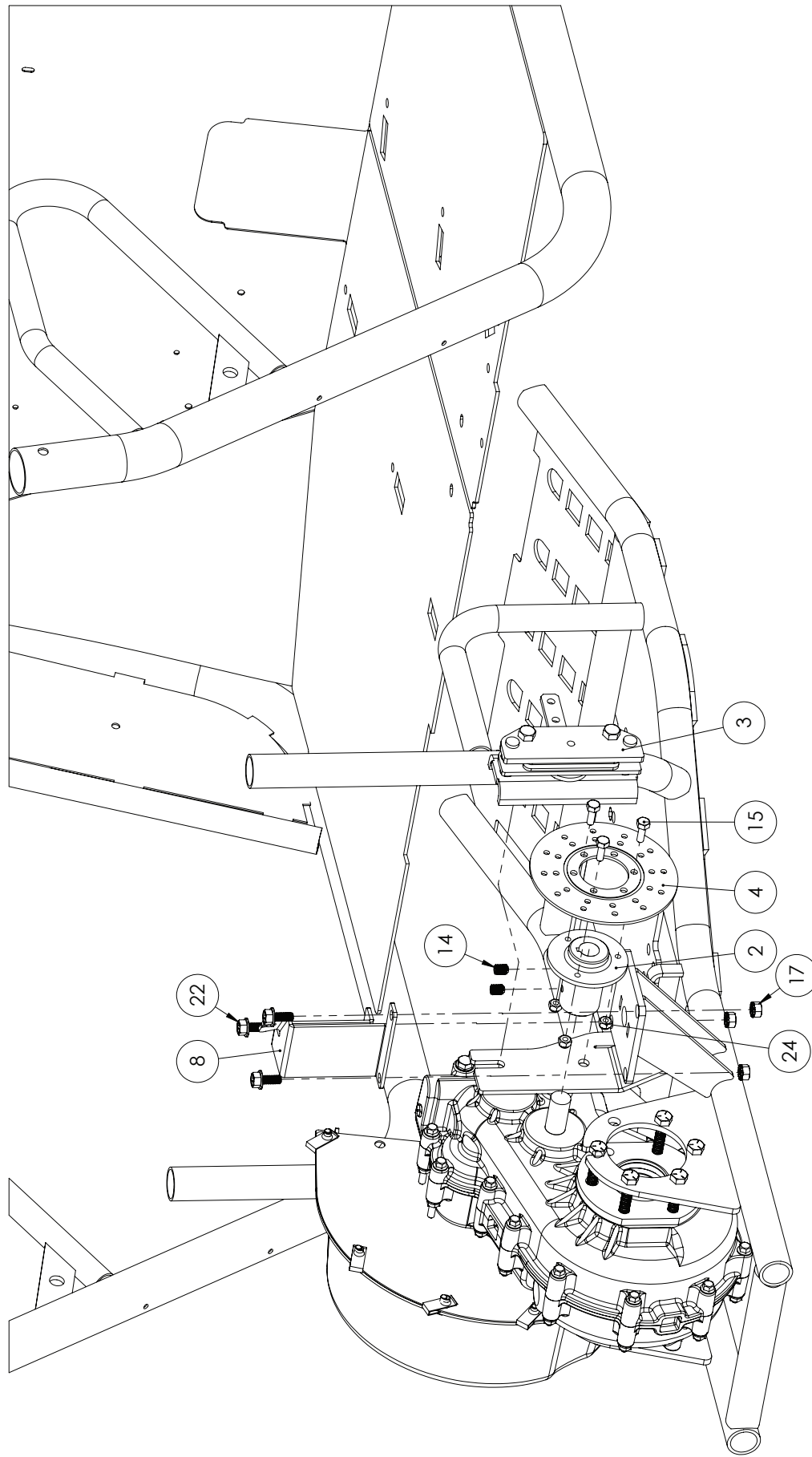
DRIVETRAIN TRANSAXLE ASSEMBLY

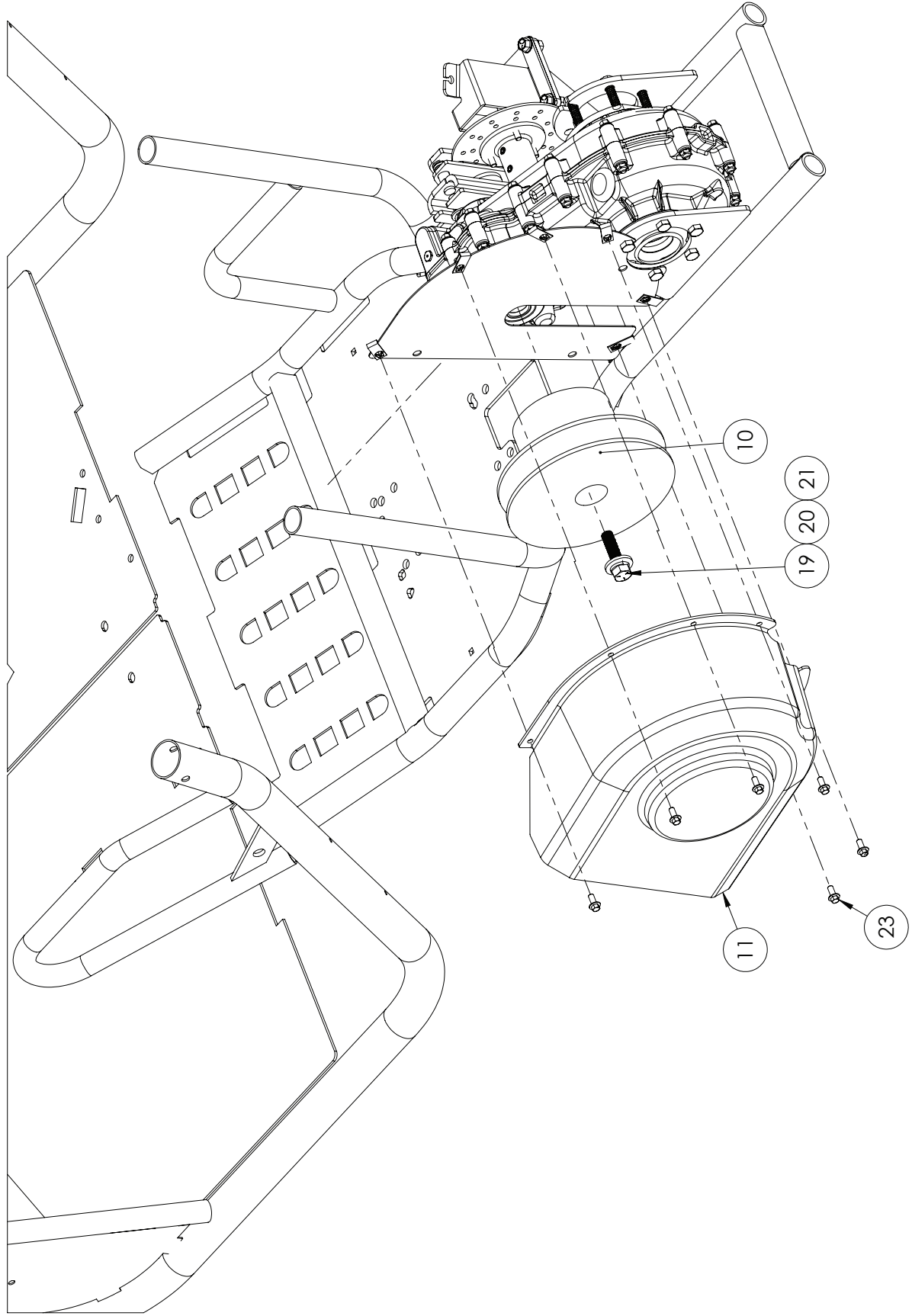


AMERICAN
LANDMASTER

TRANSAXLE ASSEMBLY **DRIVETRAIN**
ILLUSTRATED PARTS LIST







ILLUSTRATED PARTS LIST

This Illustrated Parts List covers the following 2021 model American LandMaster made Utility Vehicles

REAR SUSPENSION

NOTE: parts denoted as left hand (LH) or right hand (RH) are from driver's point of view.

REFERENCE NUMBER	PART NUMBER	PART DESCRIPTION	QUANTITY REQUIRED
1	18190-1	WDMT, FRAME IRS STD CHASSIS	1
2	14426	BOLT, M6 X 1.0 X 14	4
3	15823	NUT, CLIP ON TAPPED - M6 X 1.0; 11 GA MA	4
4	16625	NUT, M16 X 1.5 CASTLE	2
5	17479	SHOCK, DUAL RATE 400/900	2
6	17485-1	WDMT, TRAILING ARM RH-48-RAW	1
7	17801	STRAP, FUEL TANK	2
8	17978	ROD END, 1/2-20 LH	4
9	17979	ROD END, 1/2-20 RH	4
10	17980	ARM, RADIUS 48" OAW	4
11	17982	NUT, 1/2-20 THIN RH	4
12	17983	NUT, 1/2-20 THIN LH	4
13	18046	SPACER, .7 X .5 X .285	8
14	18055-1	WDMT, TRAILING ARM LH-48-RAW	1
15	18565	ROD END, 3/4	2
16	18594	ASM, REAR CORNER MODULE	2
17	18693	NUT, 1/2-20 NYLOCK	8
18	18702	BOLT, M10X1.5 X 60MM HIGH STRENGTH	4
19	18705	NUT, 3/4-16 JAM	2
20	18772	TANK, FUEL FLAM FRNT GAUGE BLK	1
21	18977	ASM, EFI FUEL DEL - L4	1
22	2-11124	BRAKE CALIPER-RAZORBACK (99-22664)	2
23	2-18415	SPACER, 1/2 X 5/16 - BLK PLASTIC	2
24	2-30623	HUB, UTV-DUST CAP	2
25	2-50001	NUT, 1/4-20 NYLON LOCKING	3



REAR SUSPENSION ASSEMBLY

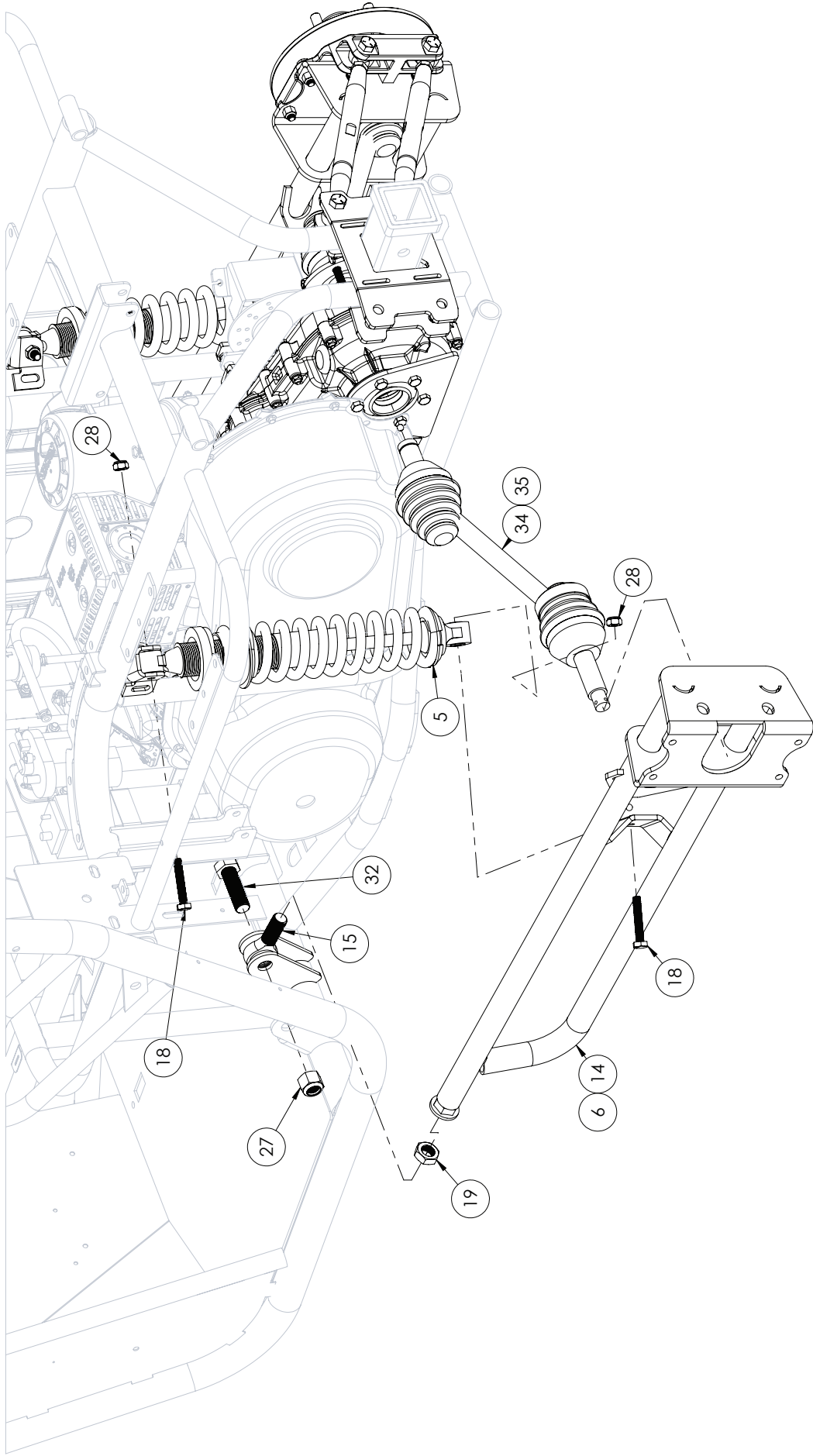
NOTE: parts denoted as left hand (LH) or right hand (RH) are from driver's point of view.

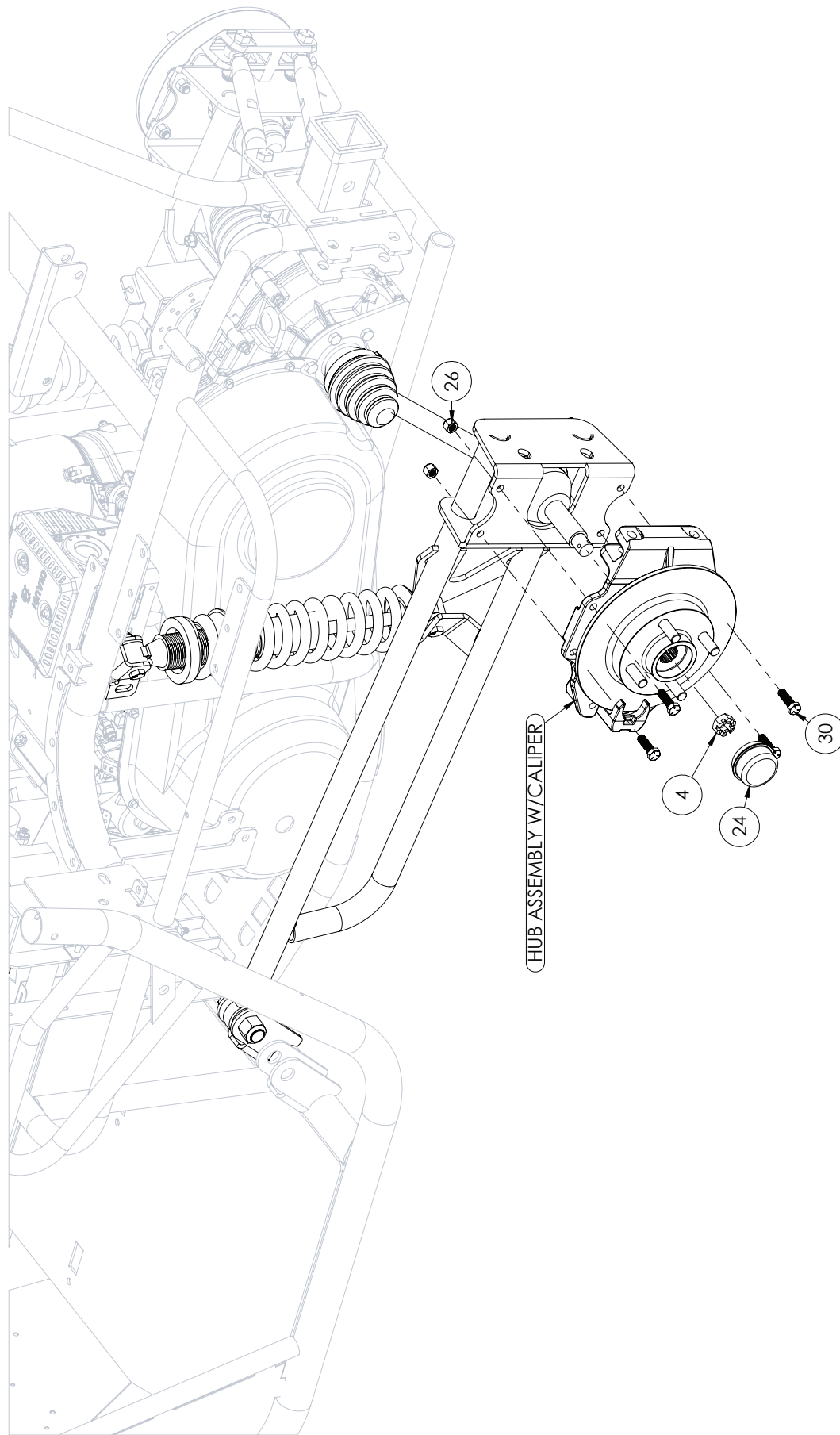
REFERENCE NUMBER	PART NUMBER	PART DESCRIPTION	QUANTITY REQUIRED
26	2-50010	NUT, 3/8-16 NYLOCK	8
27	2-50020	NUT, 3/4-16 NYLOCK	2
28	2-50065	NUT, M10 X 1.5 NYLON LOCKING	4
29	2-50086	BOLT, 1/4-20 X 1-1/4IN HEX HEAD G5	3
30	2-50215	BOLT, 3/8IN X 1-1/4IN HEX HEAD G5	8
31	2-50249	BOLT, 1/2IN-20 X 2.5 IN FT HH	8
32	2-50280	BOLT, 3/4IN X 2-1/2IN-HH G5-FT	2
33	2-50717	WASHER, 1/4IN SAE FLAT	3
34	17511	SHAFT, CV LR 48	1
35	17512	SHAFT, CV RR 48	1

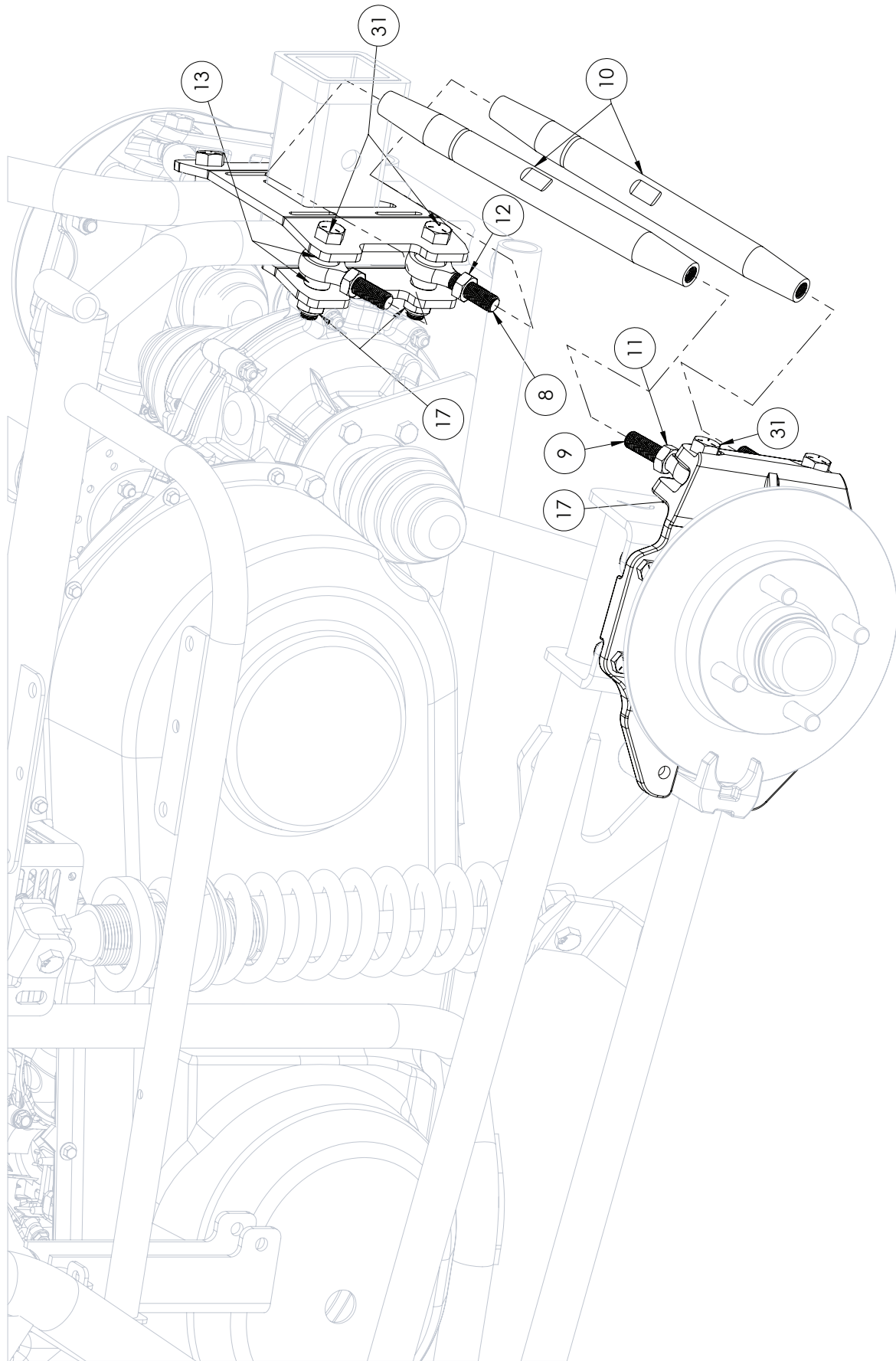


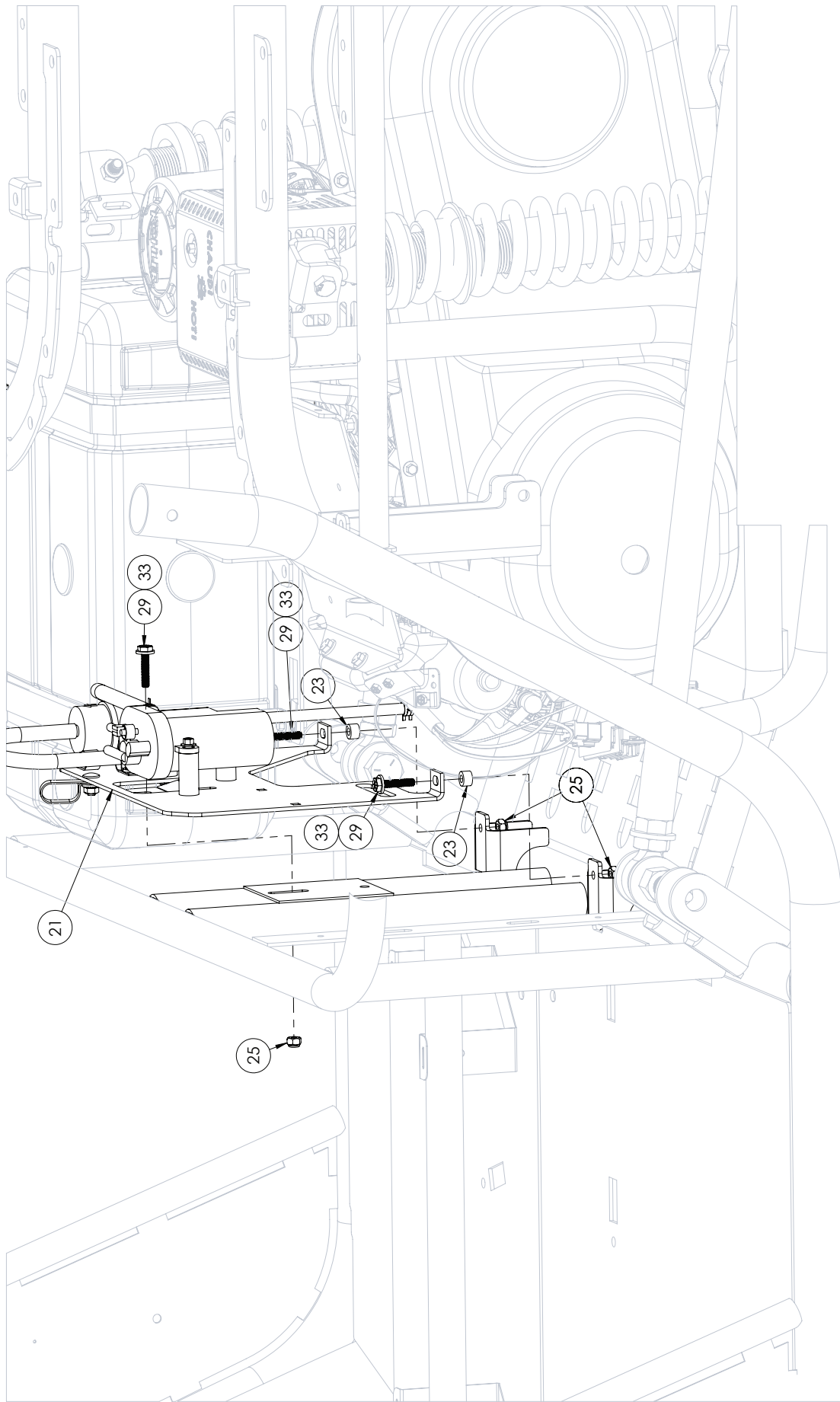
GAS POWERED

REAR SUSPENSION SUSPENSION ASSEMBLY





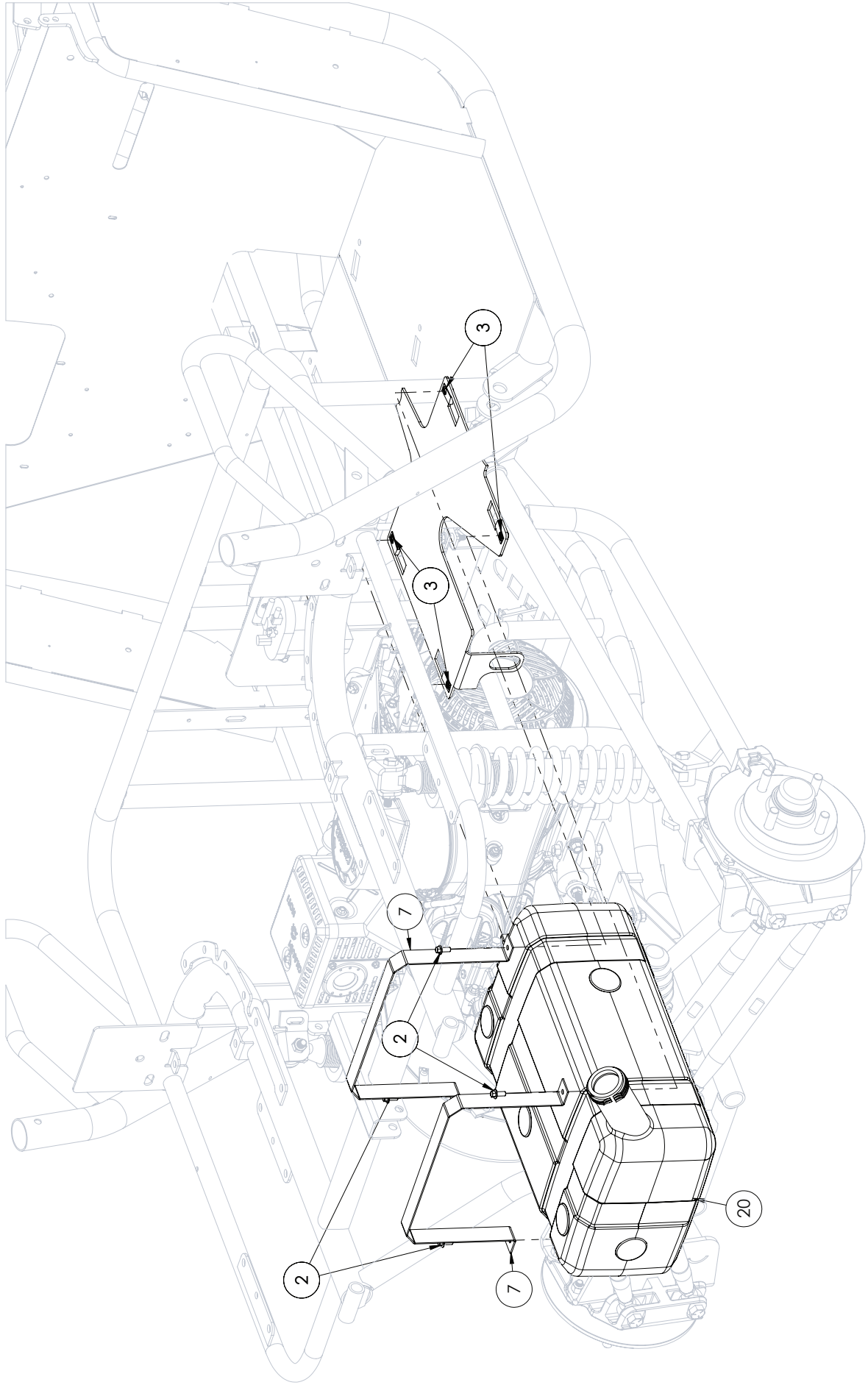






AMERICAN
LANDMASTER

FUEL TANK ASSEMBLY **REAR SUSPENSION**
ILLUSTRATED PARTS LIST





ILLUSTRATED PARTS LIST

This Illustrated Parts List covers the following 2021 model American LandMaster made Utility Vehicles

FRONT SUSPENSION / STEERING

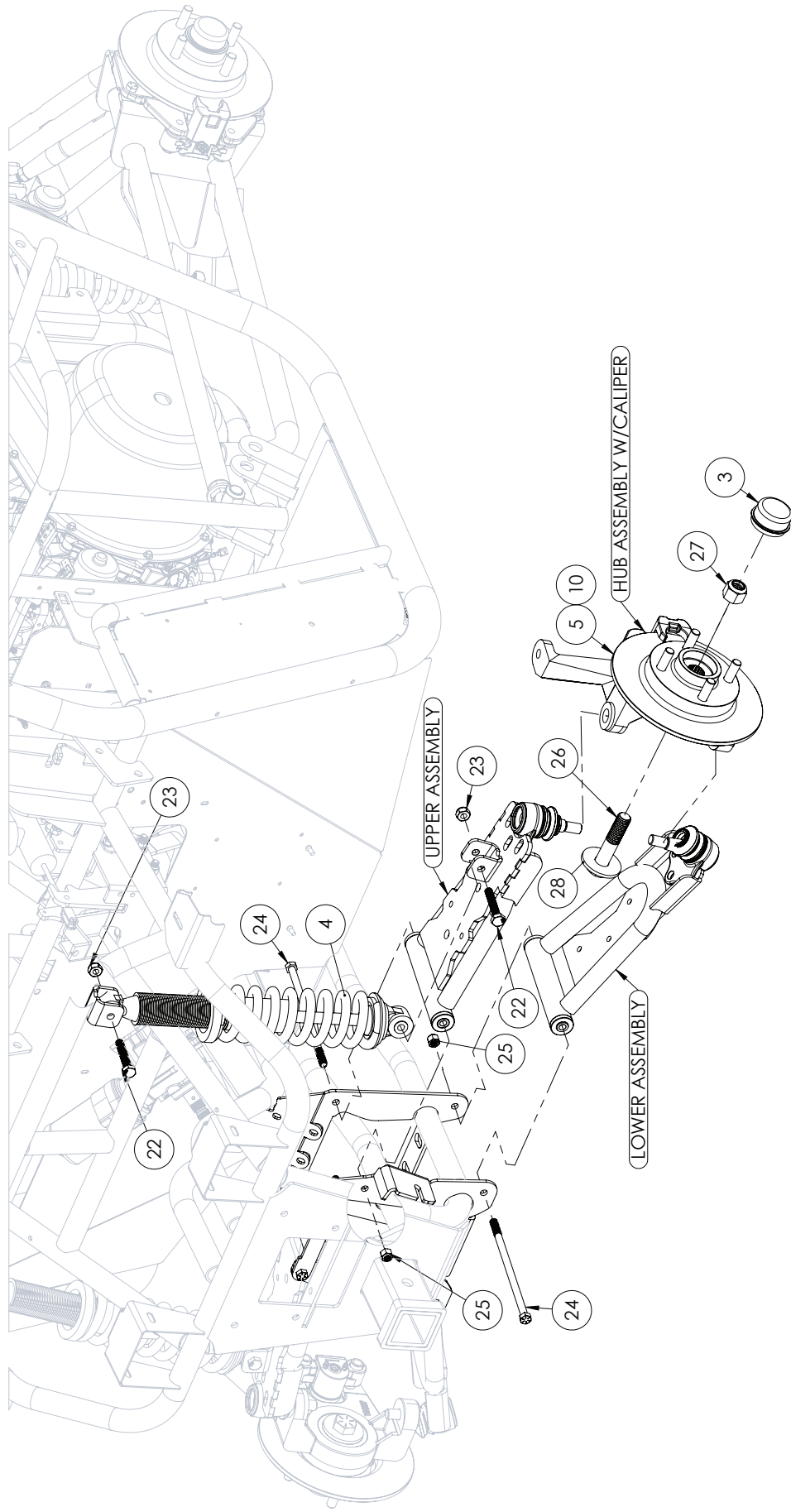
NOTE: parts denoted as left hand (LH) or right hand (RH) are from driver's point of view.

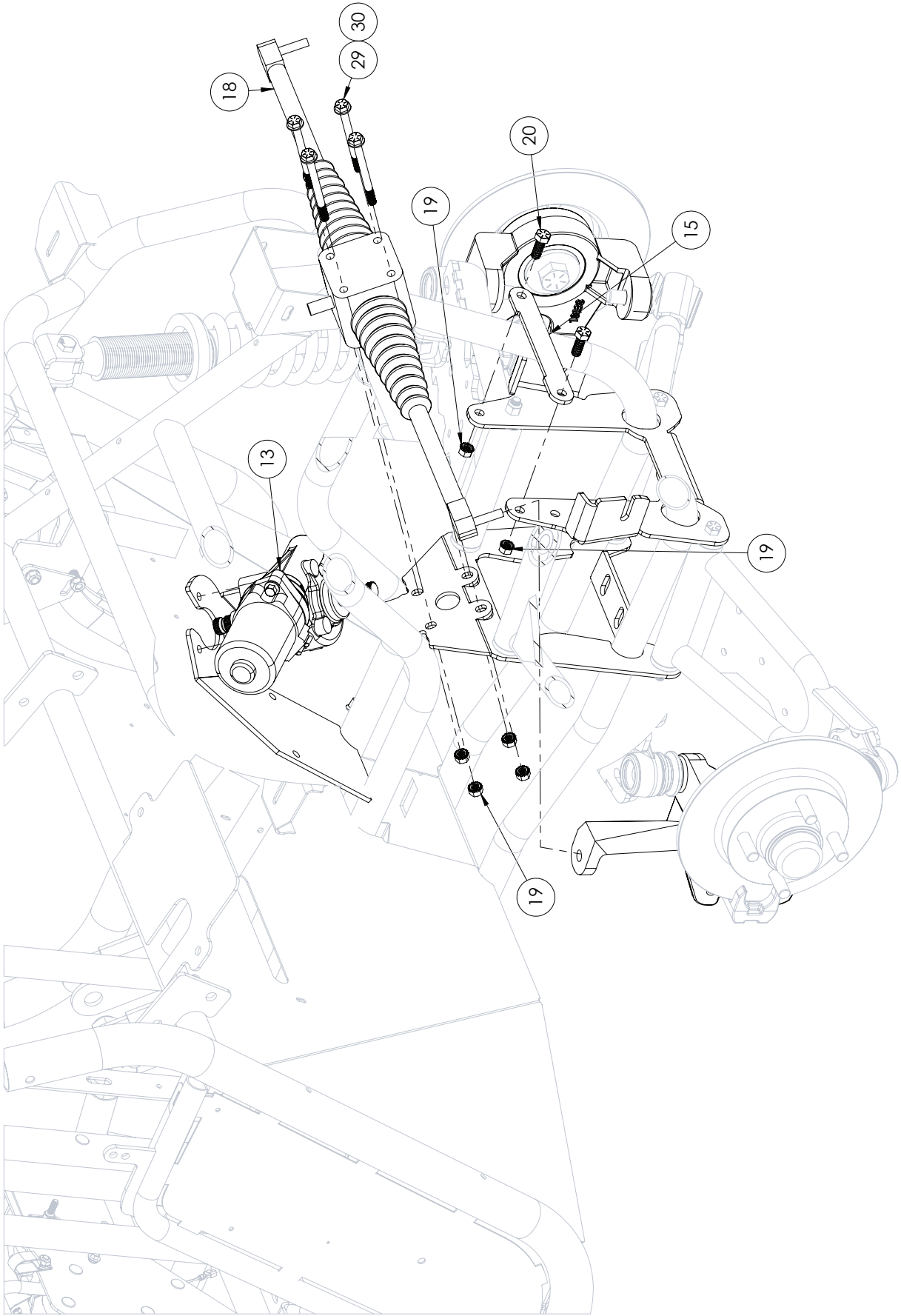
REFERENCE NUMBER	PART NUMBER	PART DESCRIPTION	QUANTITY REQUIRED
1	18190-1	WDMT, FRAME IRS STD CHASSIS	1
2	2-11124	BRAKE CALIPER-RAZORBACK (99-22664)	2
3	2-30623	HUB, UTV-DUST CAP	2
4	17480	SHOCK, 325	2
5	18595	ASM, FRONT LEFT CORNER MODULE	1
6	16898-1	ASM, PEDAL CLUSTER - 2018	1
7	18555	WDMT, STEERING SUPPORT	1
8	18199-1	WDMT, A-ARM 48 LOWER-RAW	2
9	18200-1	WDMT, A-ARM 48 UPPER-RAW	2
10	18596	ASM, FRONT RIGHT CORNER MODULE	1
11	2-42114	DOM, A-ARM SPACER	4
12	18191	BUSHING, 1" OD / .625" ID	10
13	19059	KIT, POWER STEERING, W/ CONNECTORS	1
14	17184	RUBBER, 2018 PEDAL STOP	2
15	16678	FRONT A-ARM TIE BAR 4-LINK - BLACK	1
16	16905	MASTER CYLINDER, 4WD	1
17	18043	BALL JOINT, K7366	4
18	18051	RACK & PINION, IRS 48	1
19	2-50005	NUT, 5/16-18 KEPS	10
20	2-50150	BOLT, 5/16-18 X 1 HEX HEAD G5	6
21	2-50010	NUT, 3/8-16 NYLOCK	1
22	18702	BOLT, M10X1.5 X 60MM HIGH STRENGTH	4
23	2-50065	NUT, 10 MM x 1.5 NYLOCK	4
24	18701	BOLT, 3/8-24 X 8IN HHCS GR8	4
25	18704	NUT, 3/8-24 NYLOCK	4
26	2-50096	BOLT, 3/4 X 3-1/2 SAE G5	2
27	2-50023	NUT, 3/4IN SAE NYLOCK-JAM	2
28	2-50709	WASHER, 3/4" USS FLAT WASHER	2
29	2-50171	BOLT, 5/16IN-18 X 3-3/4IN HH G5	4
30	2-50701	WASHER, 5/16 SAE FLAT	4
31	16888	BOLT, 3/8" x 5.5"	1
32	2-50156	BOLT, 5/16IN X 2-1/4IN HEX HEAD G5	2
33	2-50007	NUT, 5/16-18 NYLOCK	2



GAS POWERED

FRONT SUSPENSION / STEERING LF SUSPENSION ASSEMBLY

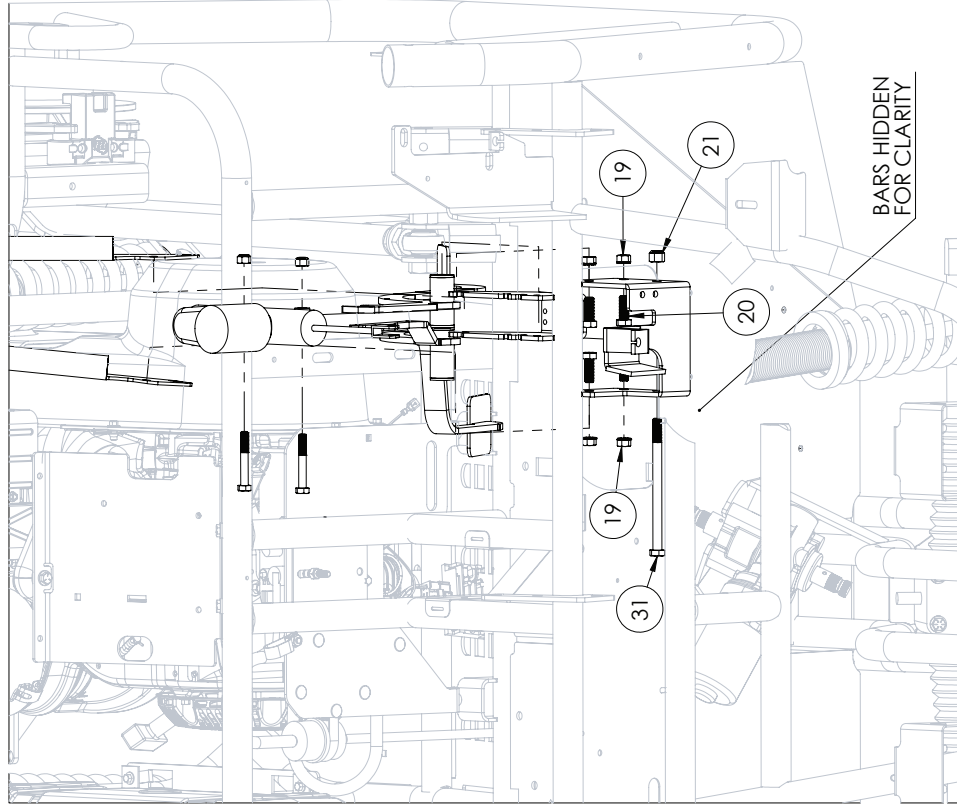
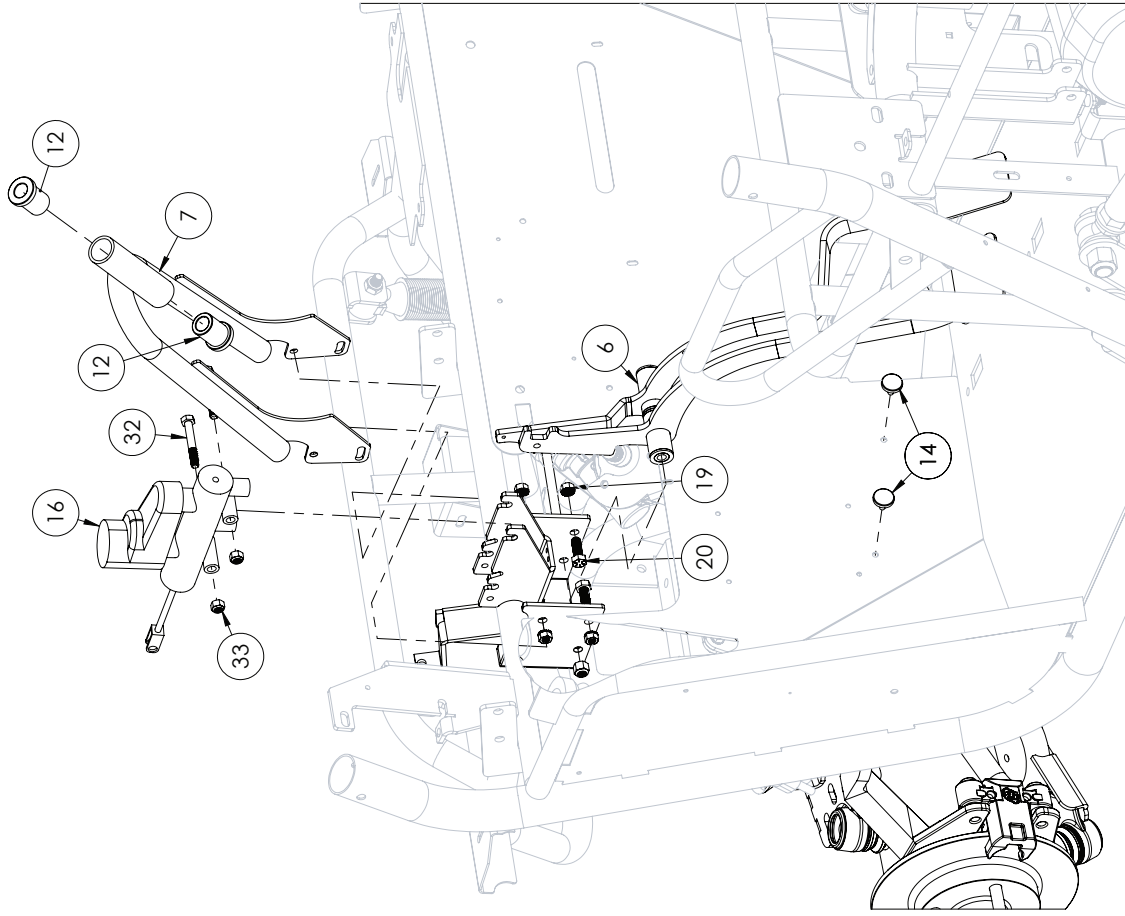


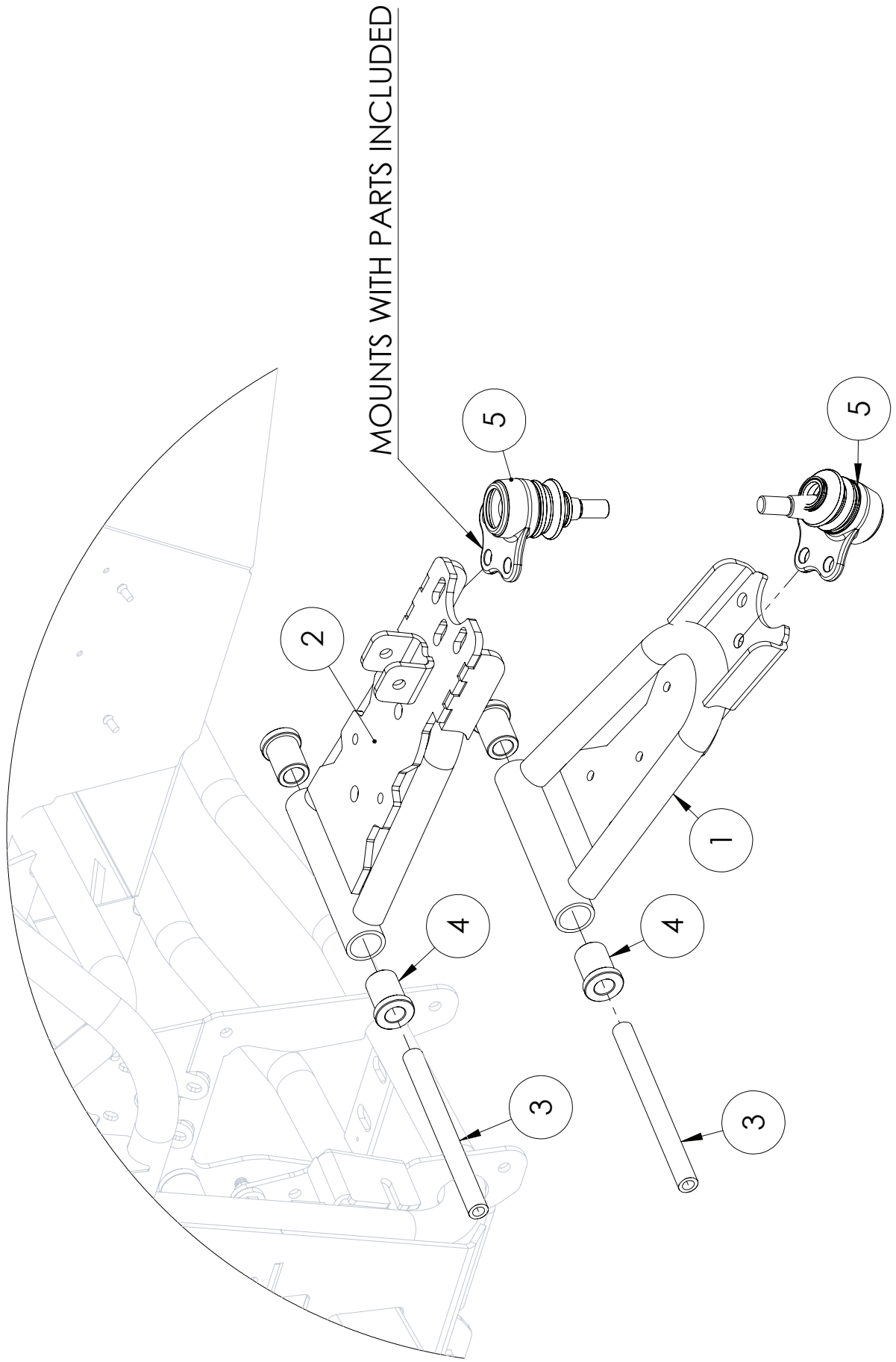




AMERICAN
LANDMASTER

STEERING SPPT & PEDAL ASSEMBLY **FRONT SUSPENSION / STEERING**
ILLUSTRATED PARTS LIST







ILLUSTRATED PARTS LIST

This Illustrated Parts List covers the following 2021 model American LandMaster made Utility Vehicles

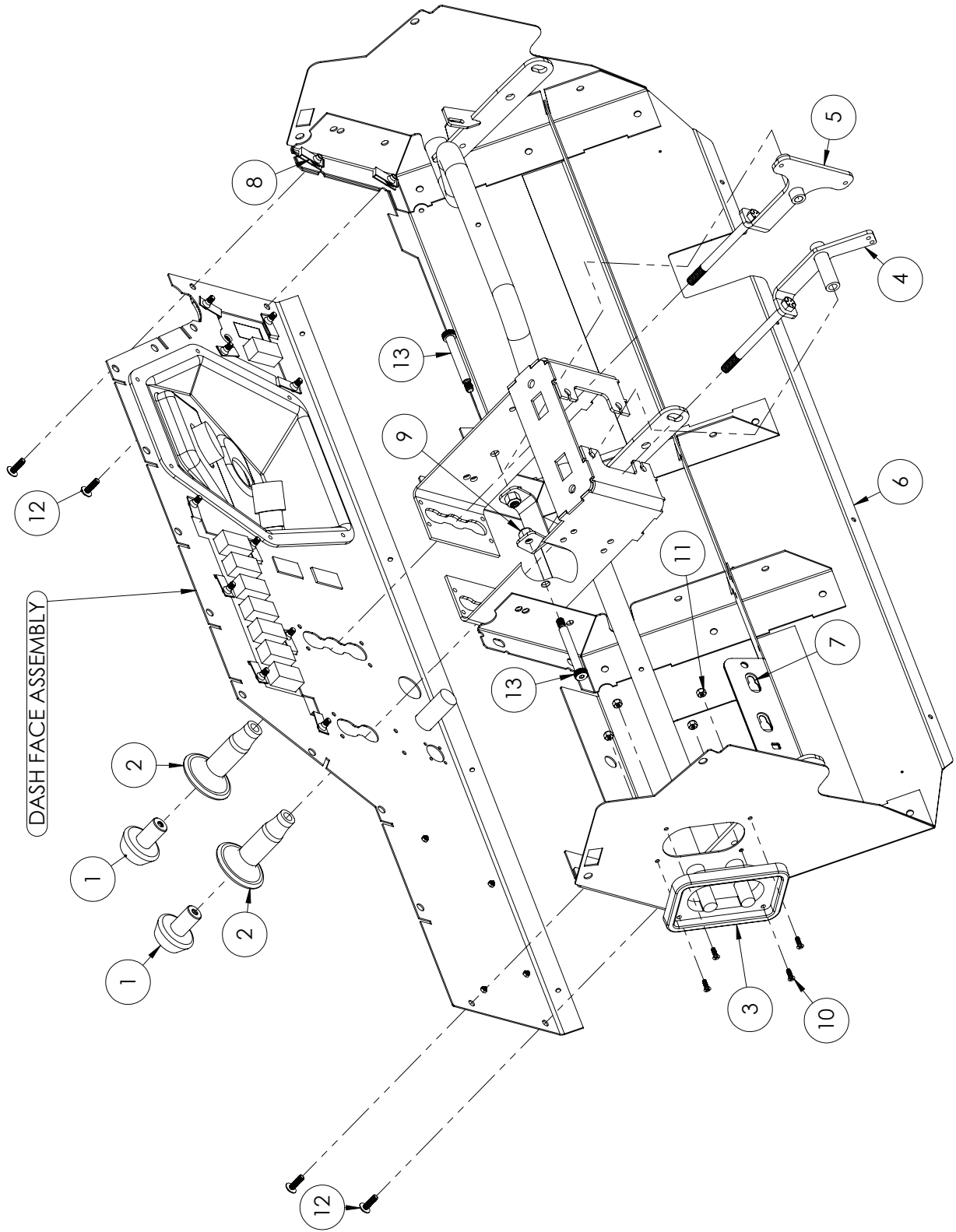
DASH / CONTROLS

NOTE: parts denoted as left hand (LH) or right hand (RH) are from driver's point of view.

REFERENCE NUMBER	PART NUMBER	PART DESCRIPTION	QUANTITY REQUIRED
1	18095	KNOB, SHIFTER	2
2	18096	SHIFTER, LIFTER	2
3	18357	BATTERY, EZ CHARGE REMOTE STUDS	1
4	18114-1	WDMT, DIFF SHIFTER	1
5	18112-1	WDMT, FNR SHIFTER	1
6	18354-1	WDMT, LOWER DASH STRUCTURE	1
7	18347	BRKT, PDM MOUNT	1
8	15823	NUT, CLIP ON TAPPED - M6 X 1.0; 11 GA MA	4
9	2-50010	NUT, 3/8-16 NYLOCK	2
10	18695	#8-32 1/2" TAPER FHS	4
11	18694	#8-32 NYLOCK NUT	4
12	18134	SCREW, M6 X 1 X 20 WIDE FLG BUTT HD SS	4
13	18360	BOLT, SHOULDER 2.5" X 3/8"	2
14	2-50817	PIN, PUSH-IN - PLASTIC	1

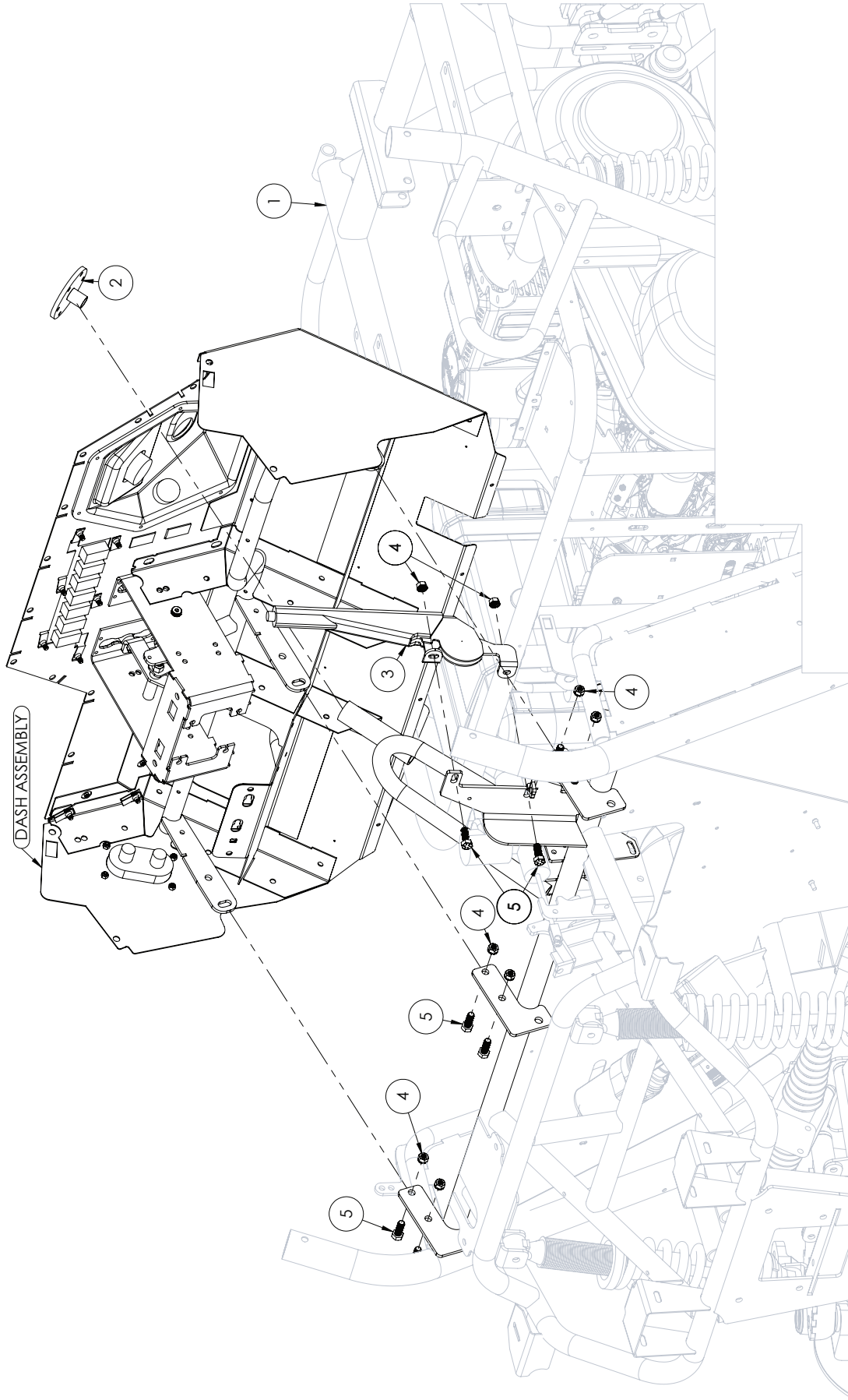


DASH / CONTROLS DASH ASSEMBLY



NOTE: parts denoted as left hand (LH) or right hand (RH) are from driver's point of view.

REFERENCE NUMBER	PART NUMBER	PART DESCRIPTION	QUANTITY REQUIRED
1	18190-1	WDMT, FRAME IRS STD CHASSIS	1
2	2-18169	STEERING HUB DISK (SEE SPECS)	1
3	18387	LEVER, PARK BRAKE	1
4	2-50005	NUT, 5/16-18 KEPS	8
5	2-50150	BOLT, 5/16-18 X 1 HEX HEAD G5	8

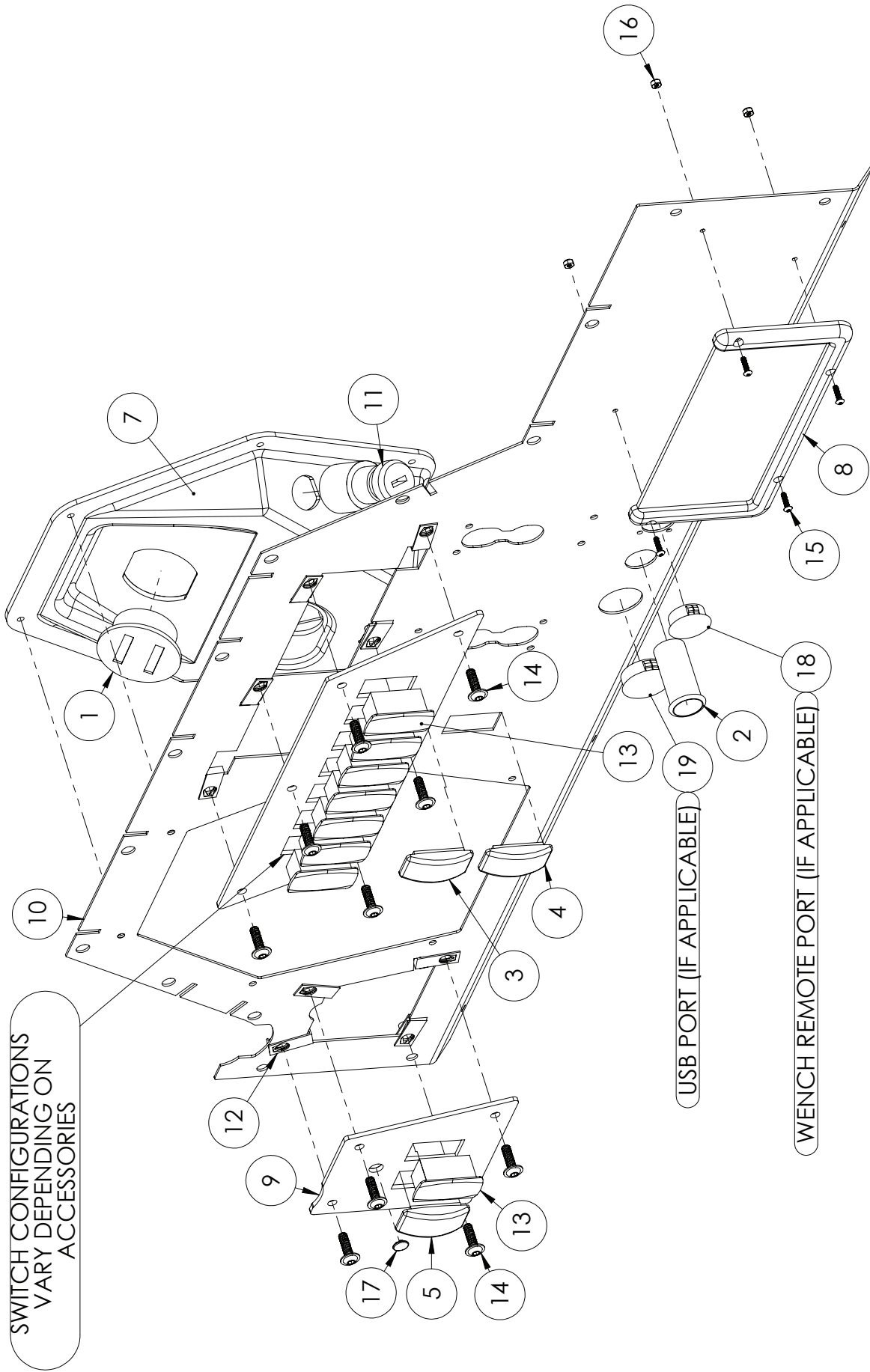


NOTE: parts denoted as left hand (LH) or right hand (RH) are from driver's point of view.

REFERENCE NUMBER	PART NUMBER	PART DESCRIPTION	QUANTITY REQUIRED
1	17823	GAUGE, 12V BATT VOLT/HOUR COMBO RND	1
2	2-70080	OUTLET, ACCESSORY-12V DC POWER	1
3	18380	LIGHT, WARNING ENGINE/OIL	1
4	18381	LIGHT, WARNING PARK/SEATBELT	1
5	18383	SWITCH, FLOOD/HEADLIGHT	1
6	18351-1	BRKT, 7 SWITCH PANEL - RAW	1
7	18075	DASH, STEERING COLUMN - ABS BLK	1
8	18356	NET, 4X9	1
9	18352	BRKT, LOWER DASH PANEL	1
10	18073	BRKT, DASH FACE - RAW	1
11	18484	SWITCH, IGNITION	1
12	15823	NUT, CLIP ON TAPPED - M6 X 1.0; 11 GA MA	10
13	18506	ROCKER SWITCH HOLE PLUG	8
14	18134	SCREW, M6 X 1 X 20 WIDE FLG BUTT HD SS	10
15	18699	BOLT, #5-40 - 1/2 LONG	4
16	18698	NUT, #5-40 NYLOCK	4
17	2-50817	PIN, PUSH-IN - PLASTIC	1
18		PLASTIC PLUG	1
19		PLASTIC PLUG	1



DASH / CONTROLS DASH ASSEMBLY





ILLUSTRATED PARTS LIST

This Illustrated Parts List covers the following 2021 model American LandMaster made Utility Vehicles

PLASTICS / SEATING

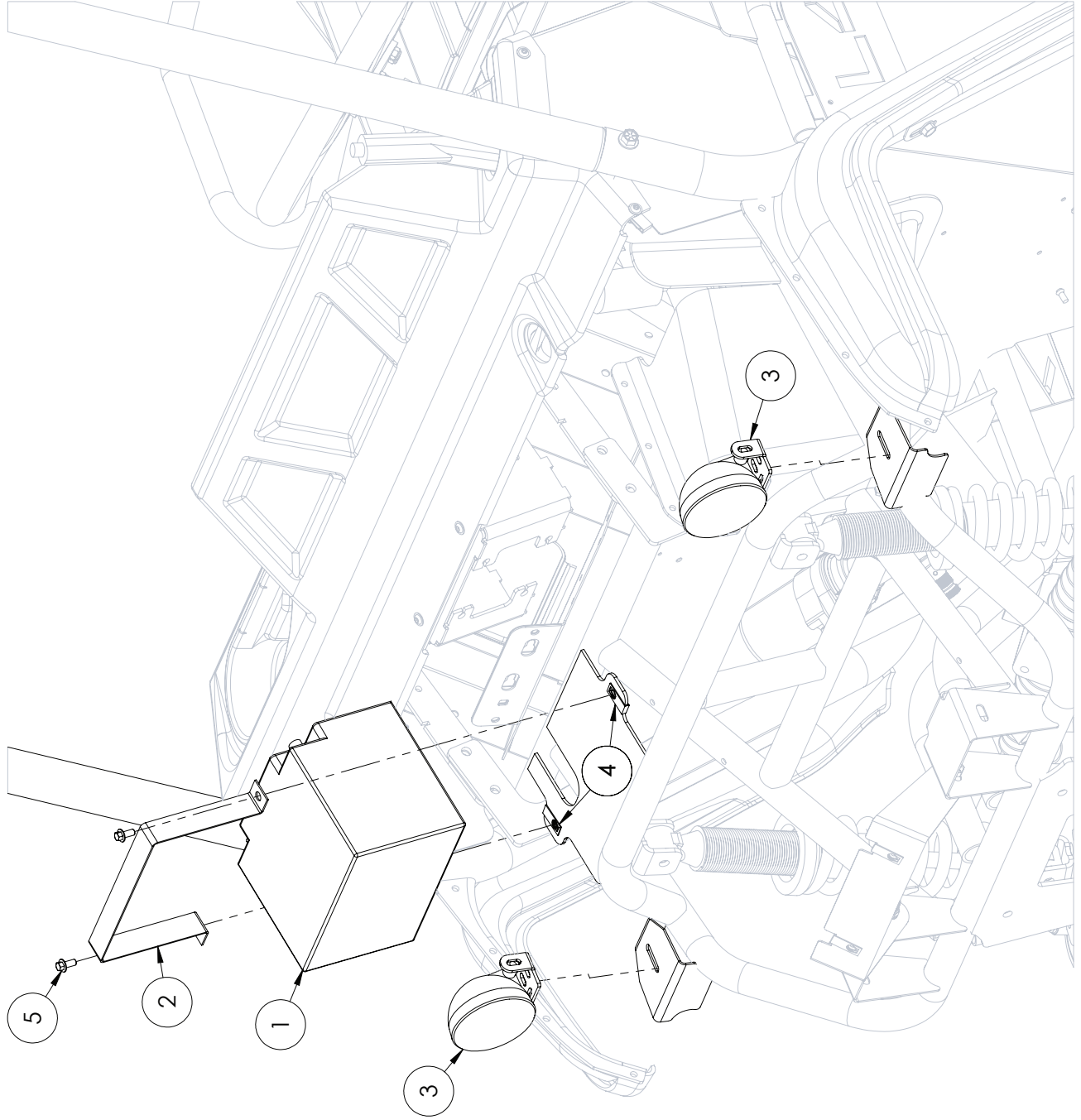
NOTE: parts denoted as left hand (LH) or right hand (RH) are from driver's point of view.

REFERENCE NUMBER	PART NUMBER	PART DESCRIPTION	QUANTITY REQUIRED
1	2-69998	BATTERY, UB12350 SEALED AGM - 315CCA	1
2	18126	BRKT, BATTERY HOLD DOWN 2021 - RAW	1
3	18609	LIGHT, HEAD LIGHT / WORK LIGHT	2
4	15823	NUT, CLIP ON TAPPED - M6 X 1.0; 11 GA MA	2
5	14426	BOLT, M6 X 1.0 X 14	2



GAS POWERED

PLASTICS / SEATING BATTERY & LIGHTS ASSEMBLY



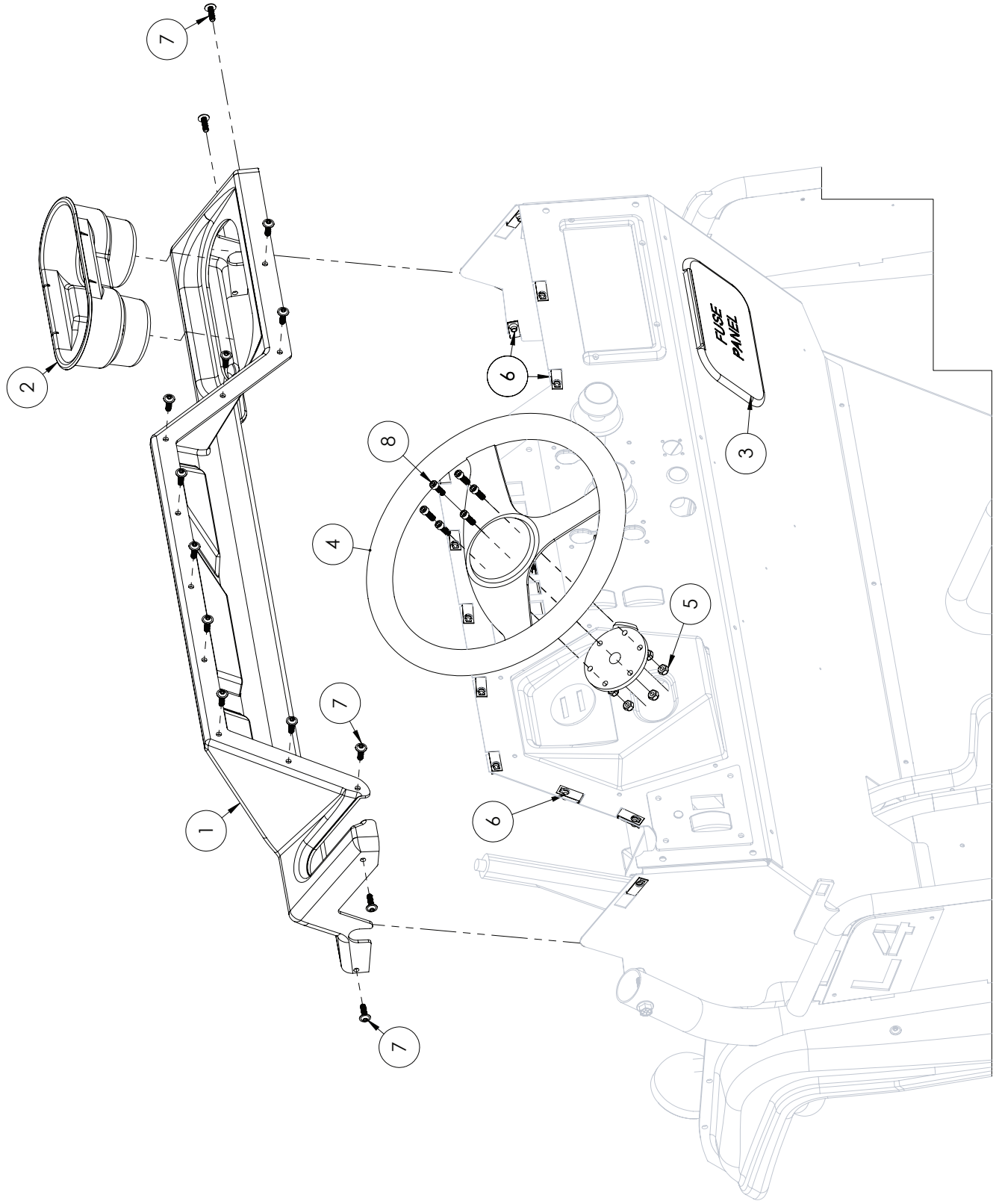
NOTE: parts denoted as left hand (LH) or right hand (RH) are from driver's point of view.

REFERENCE NUMBER	PART NUMBER	PART DESCRIPTION	QUANTITY REQUIRED
1	18072	DASH, THERMOFORMED TOP	1
2	14842	CUP HOLDER - 200 SERIES	1
3	18361	PANEL, DASH ACCESS	1
4	14845	STEERING WHEEL - 200S	1
5	2-50001	NUT, 1/4-20 NYLON LOCKING	6
6	15823	NUT, CLIP ON TAPPED - M6 X 1.0; 11 GA MA	14
7	18134	SCREW, M6 X 1 X 20 WIDE FLG BUTT HD SS	14
8	2-50636	BOLT, 1/4IN X 3/4IN SOCKET HEAD (SS)	6



GAS POWERED

PLASTICS / SEATING DASH TOP & STEERING ASSEMBLY

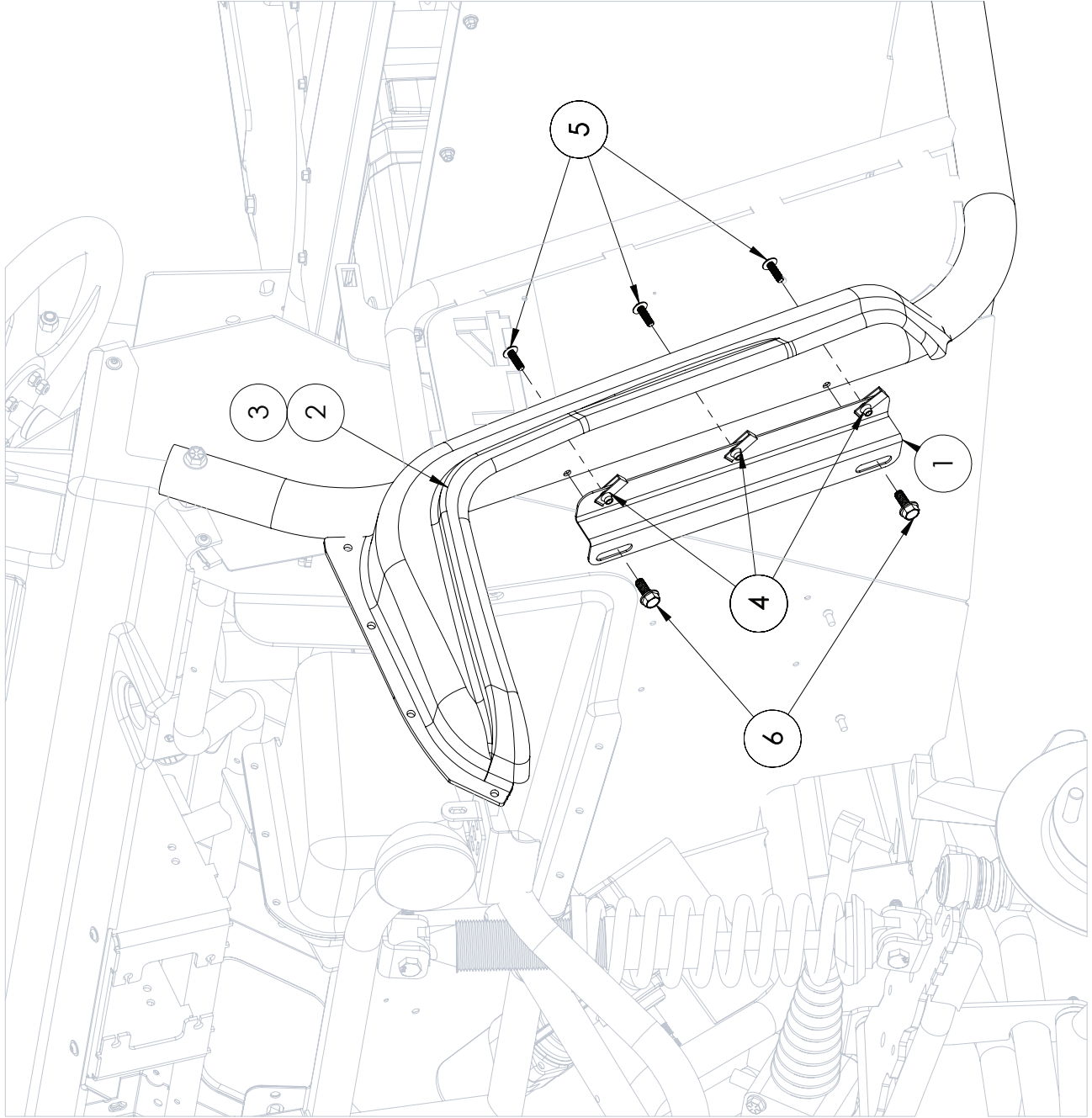


NOTE: parts denoted as left hand (LH) or right hand (RH) are from driver's point of view.

REFERENCE NUMBER	PART NUMBER	PART DESCRIPTION	QUANTITY REQUIRED
1	18133-1	BRKT, FRONT FENDER - RAW	2
2	18754	FENDER, FRONT LH - 48	1
3	18755	FENDER, FRONT RH - 48	1
4	15823	NUT, CLIP ON TAPPED - M6 X 1.0; 11 GA MA	6
5	18134	SCREW, M6 X 1 X 20 WIDE FLG BUTT HD SS	6
6	19076	SCREW, 5/16 X1.00 UNSLT HWSDS	4



PLASTICS / SEATING FRONT FENDER ASSEMBLY



NOTE: parts denoted as left hand (LH) or right hand (RH) are from driver's point of view.

REFERENCE NUMBER	PART NUMBER	PART DESCRIPTION	QUANTITY REQUIRED
1	16787	PLATE, HEAT SHIELD 2WD - REAR	1
2	16797	PLATE, HEAT SHIELD - 4WD - FWD	1
3	18212-1	SHIELD, UNDERSEAT - RAW	1
4	2-18413	BED BUMPER 1.5 INCH (RUBBER)	2
5	15823	NUT, CLIP ON TAPPED - M6 X 1.0; 11 GA MA	12
6	14426	BOLT, M6 X 1.0 X 14	12

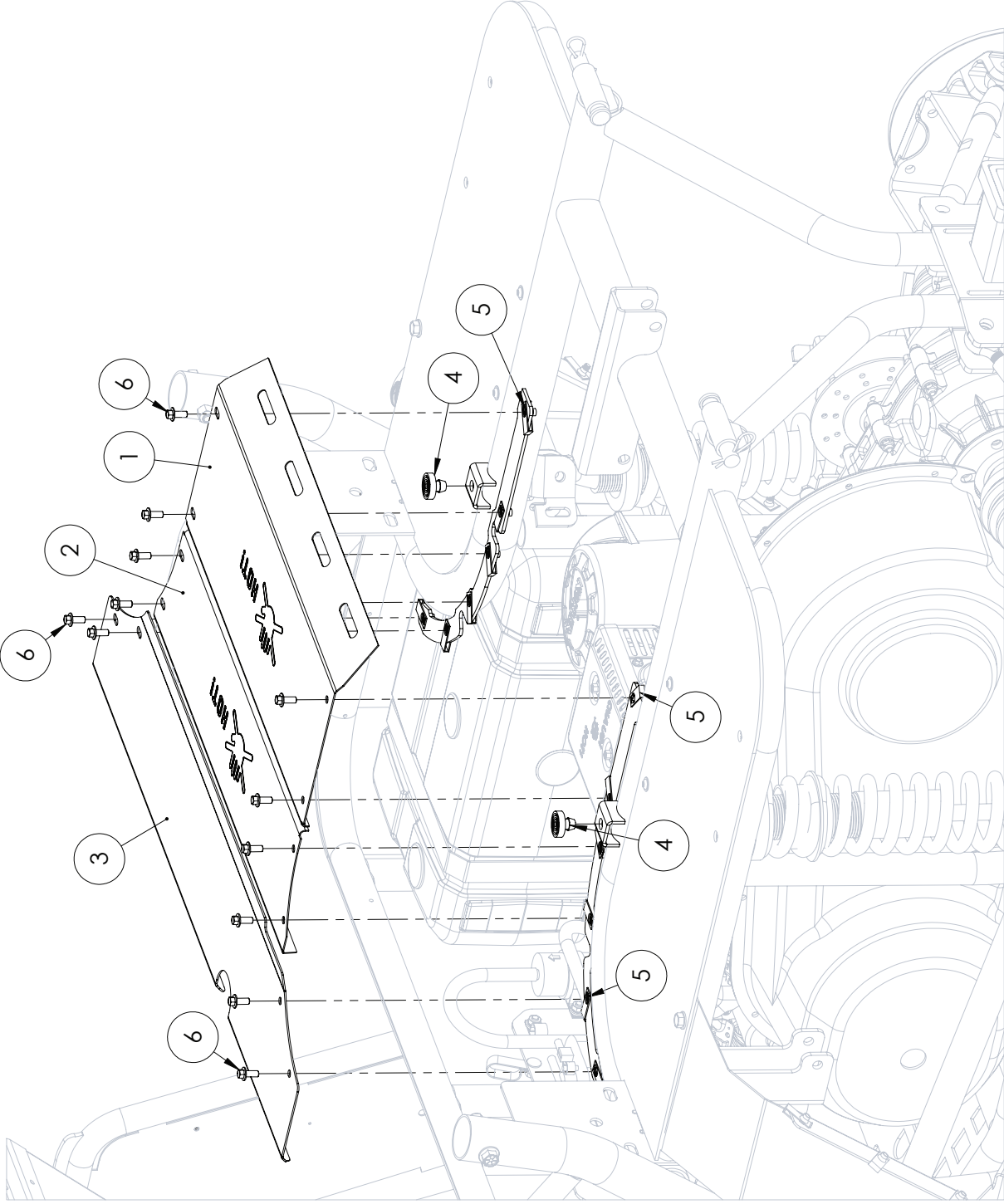


GAS POWERED

PLASTICS / SEATING HEAT SHIELDS ASSEMBLY



AMERICAN
LANDMASTER



NOTE: parts denoted as left hand (LH) or right hand (RH) are from driver's point of view.

REFERENCE NUMBER	PART NUMBER	PART DESCRIPTION	QUANTITY REQUIRED
1	18362-1	WDMT, OH B PILLAR - MY21 - RAW	1
2	18551-1	WDMT, OH ROPS MY21 - RAW	1
3	19018	BOLT, 3/8"-16 X 2.25" FLANGE HEAD BLACK GRADE 5	6
4	19019	NUT, 3/8"-16 NYLON INSERT GRADE 5 BLACK FLANGE NYLOCK	6



GAS POWERED

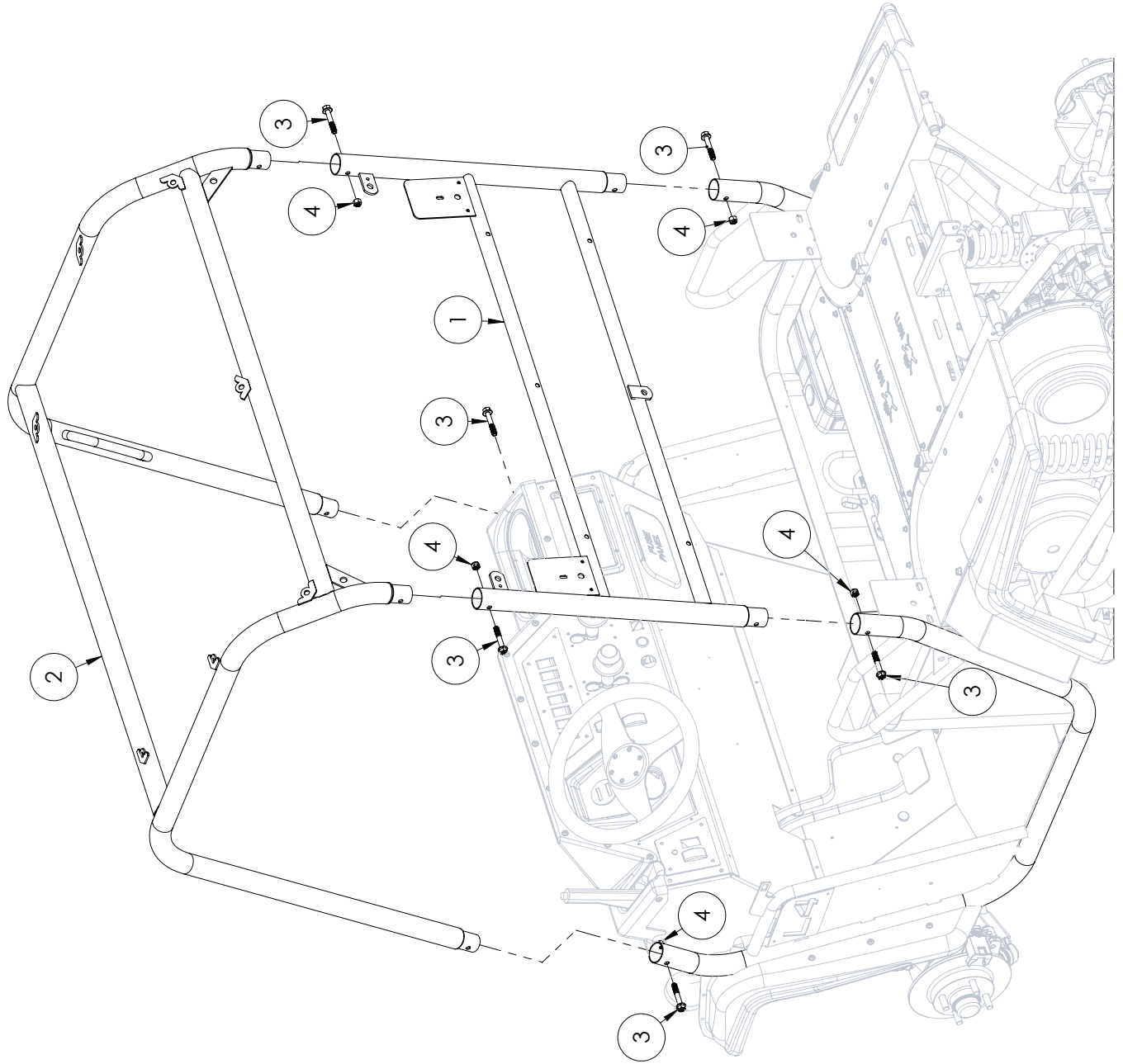
PLASTICS / SEATING OH BARS ASSEMBLY



AMERICAN
LANDMASTER

OH BARS ASSEMBLY

PLASTICS / SEATING
ILLUSTRATED PARTS LIST



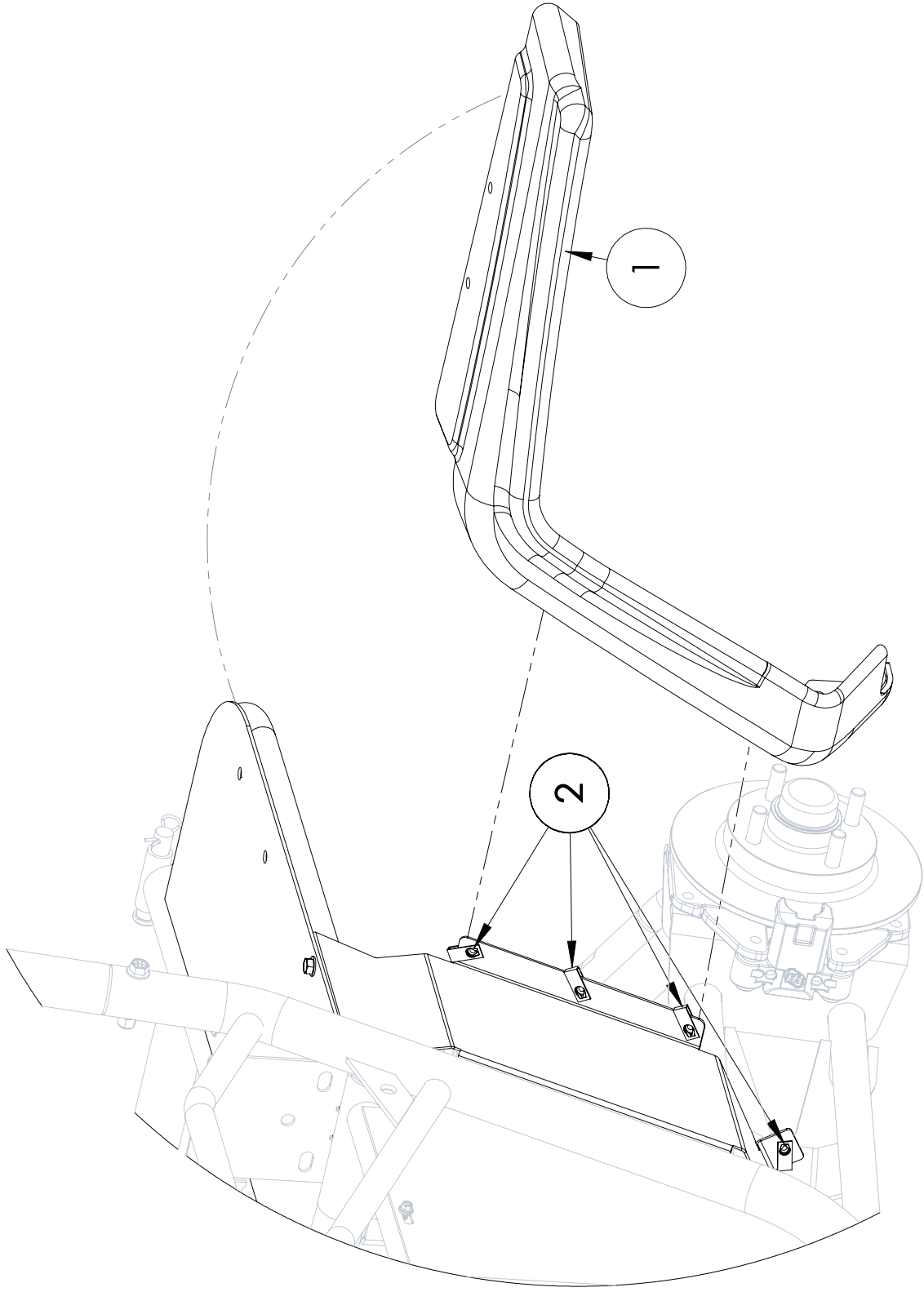
NOTE: parts denoted as left hand (LH) or right hand (RH) are from driver's point of view.

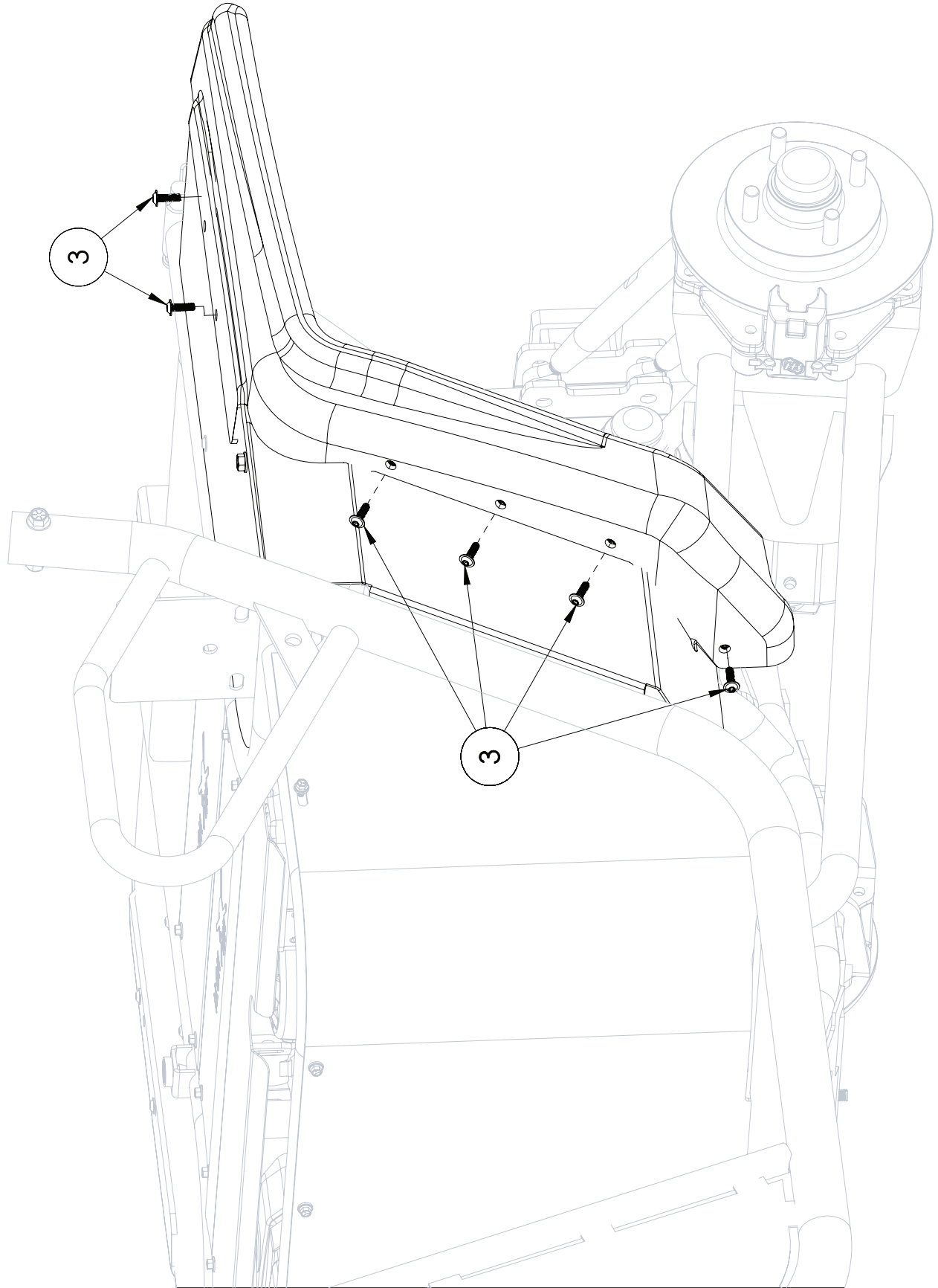
REFERENCE NUMBER	PART NUMBER	PART DESCRIPTION	QUANTITY REQUIRED
1	18164	FENDER, REAR LH - 48	1
2	15823	NUT, CLIP ON TAPPED - M6 X 1.0; 11 GA MA	4
3	18134	SCREW, M6 X 1 X 20 WIDE FLG BUTT HD SS	6



GAS POWERED

PLASTICS / SEATING REAR FENDER ASSEMBLY





NOTE: parts denoted as left hand (LH) or right hand (RH) are from driver's point of view.

REFERENCE NUMBER	PART NUMBER	PART DESCRIPTION	QUANTITY REQUIRED
1	2-50630	SCREW, #10 X 3/4IN HEX WASHER TEK-BLK	7
2	2-50770	WASHER, #10 SAE FLAT	7
3	19021	SURROUND, 4WD SEAT - MATTE BLK	1

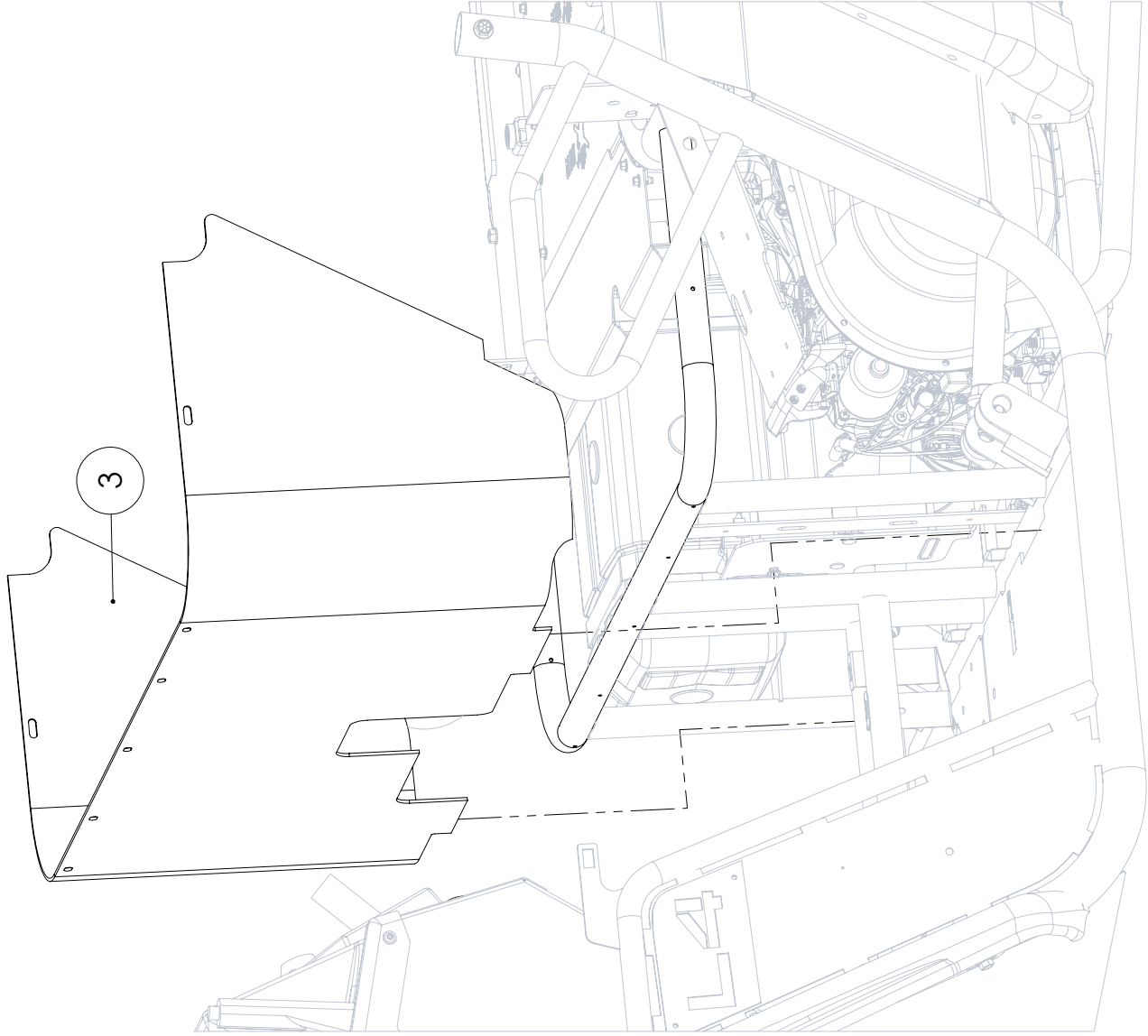


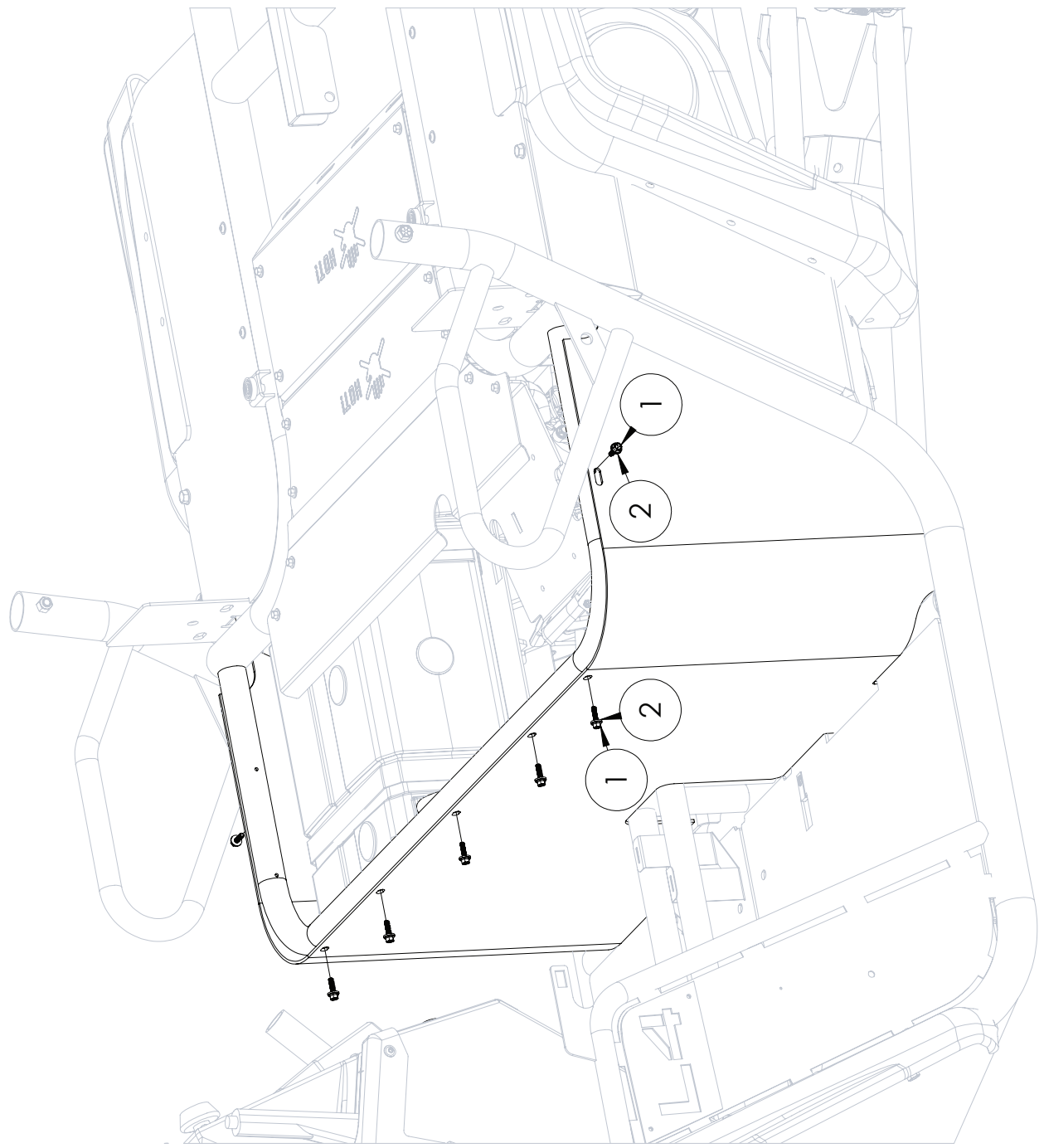
GAS POWERED

PLASTICS / SEATING SEAT SURROUND ASSEMBLY



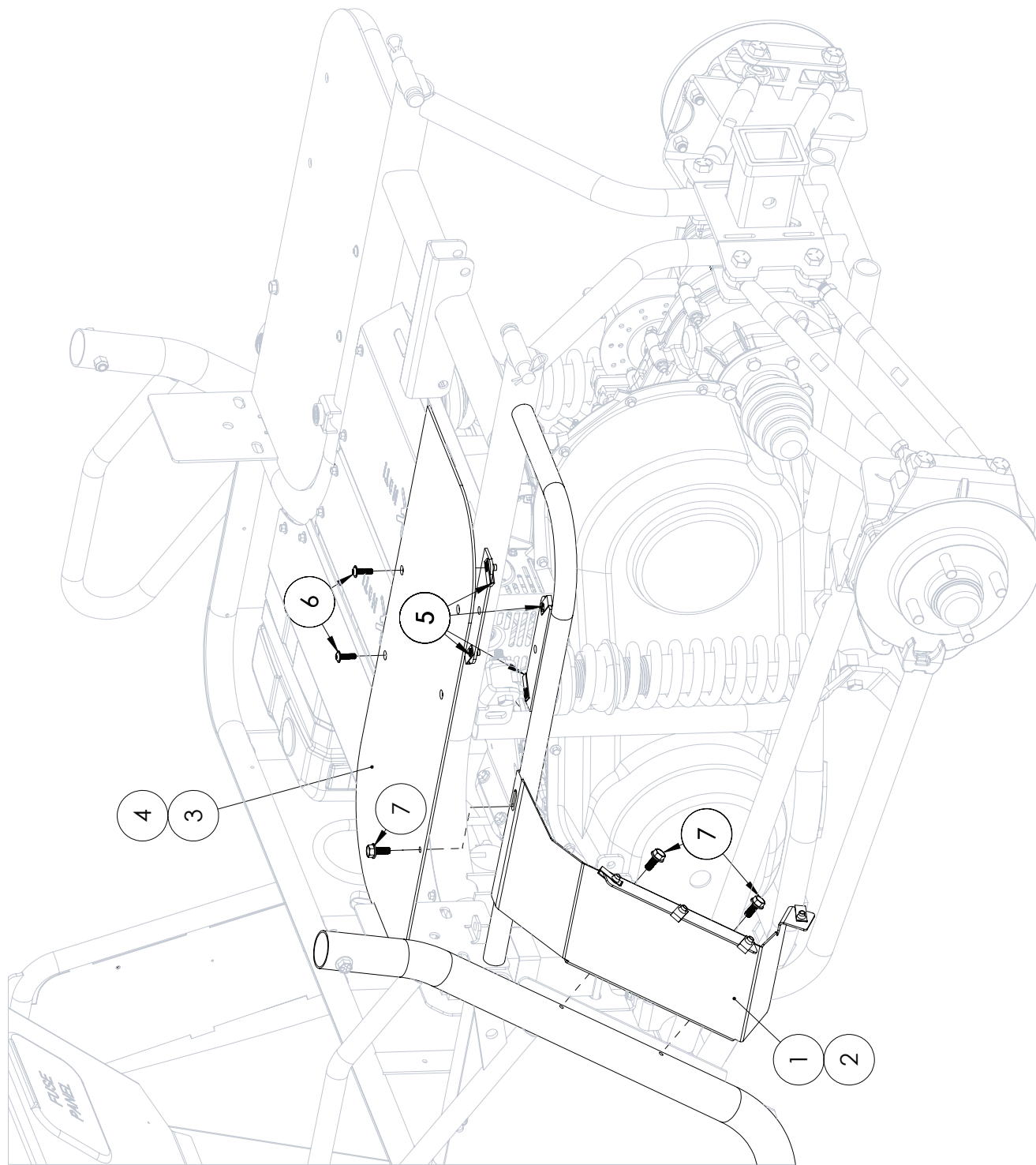
AMERICAN
LANDMASTER





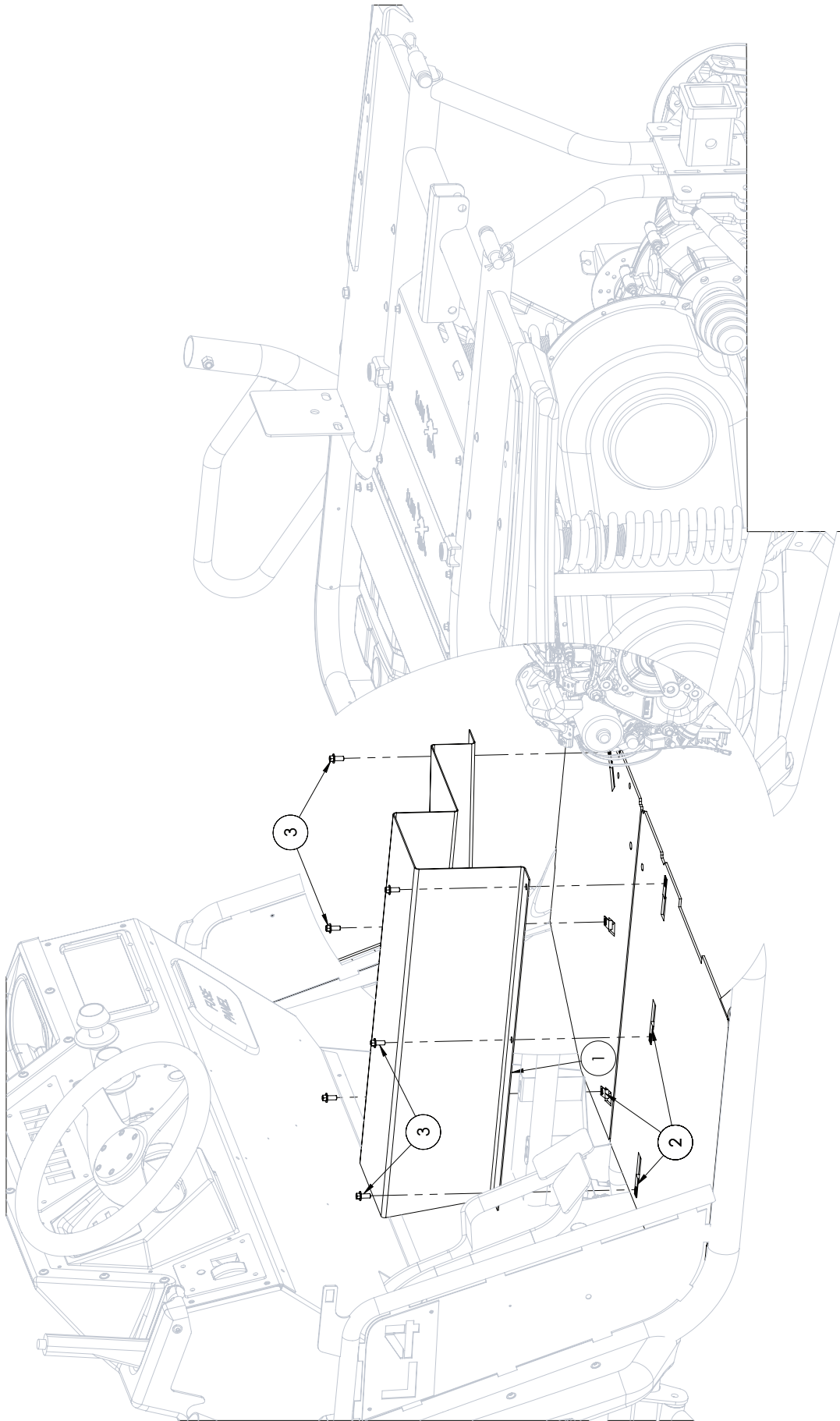
NOTE: parts denoted as left hand (LH) or right hand (RH) are from driver's point of view.

REFERENCE NUMBER	PART NUMBER	PART DESCRIPTION	QUANTITY REQUIRED
1	18155-1	SKIRT, SIDE LH - RAW	1
2	18156-1	SKIRT, SIDE RH - RAW	1
3	18508	PANEL, FENDER TOP LH NO DUMP	1
4	18509	PANEL, FENDER TOP RH	1
5	15823	NUT, CLIP ON TAPPED - M6 X 1.0; 11 GA MA	8
6	18134	SCREW, M6 X 1 X 20 WIDE FLG BUTT HD SS	4
7	19076	SCREW, 5/16 X1.00 UNSLT HWSDS	6



NOTE: parts denoted as left hand (LH) or right hand (RH) are from driver's point of view.

REFERENCE NUMBER	PART NUMBER	PART DESCRIPTION	QUANTITY REQUIRED
1	18158	BRKT, 4WD TUNNEL	1
2	15823	NUT, CLIP ON TAPPED - M6 X 1.0; 11 GA MA	6
3	14426	BOLT, M6 X 1.0 X 14	6



ELECTRIC & GAS DECALS



Name Plates -

Passenger Side	Driver Side
L3-18570	L3-18577
L4-18571	L4-18578
L5-18574	L5- 18580
L7-18572	L7-18579
L7x-18575	L7X-18581
EV-18576	EV-18582



18545

4x4 Bed Decal

*For 4WD vehicles only



18543

Side Hood Decal

*All vehicles get 2qty. One on each side of the vehicle



18546

Side Dash Decal

*All vehicles get 1qty on the driver side dash



18547

Front Hood Emblem



19162

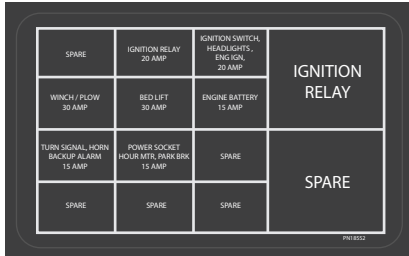
Rear Bed Decal

(goes on all units)



18568

Center Steering Wheel Logo



18552

Fuse Box Label all models gas and electric

GAS ONLY DECALS



18559

Drive Lever



18560

Differential Lever

ELECTRIC ONLY DECALS



18585

Electric Drive Decal

Electric Powered 48v
EXTENDED RANGE WITH QUIET RIDE COMFORT

18586

Center Dash Decal For EV

NETS



Full Size Units (L4, L5, L7, L7xl PRO)

PN: 18848	Passenger
PN: 18815	Driver

Crew Size Units (L7x only)

PN: 18846	Passenger
PN: 18849	Driver
PN: 19077	Driver Rear
PN: 19078	Passenger Rear