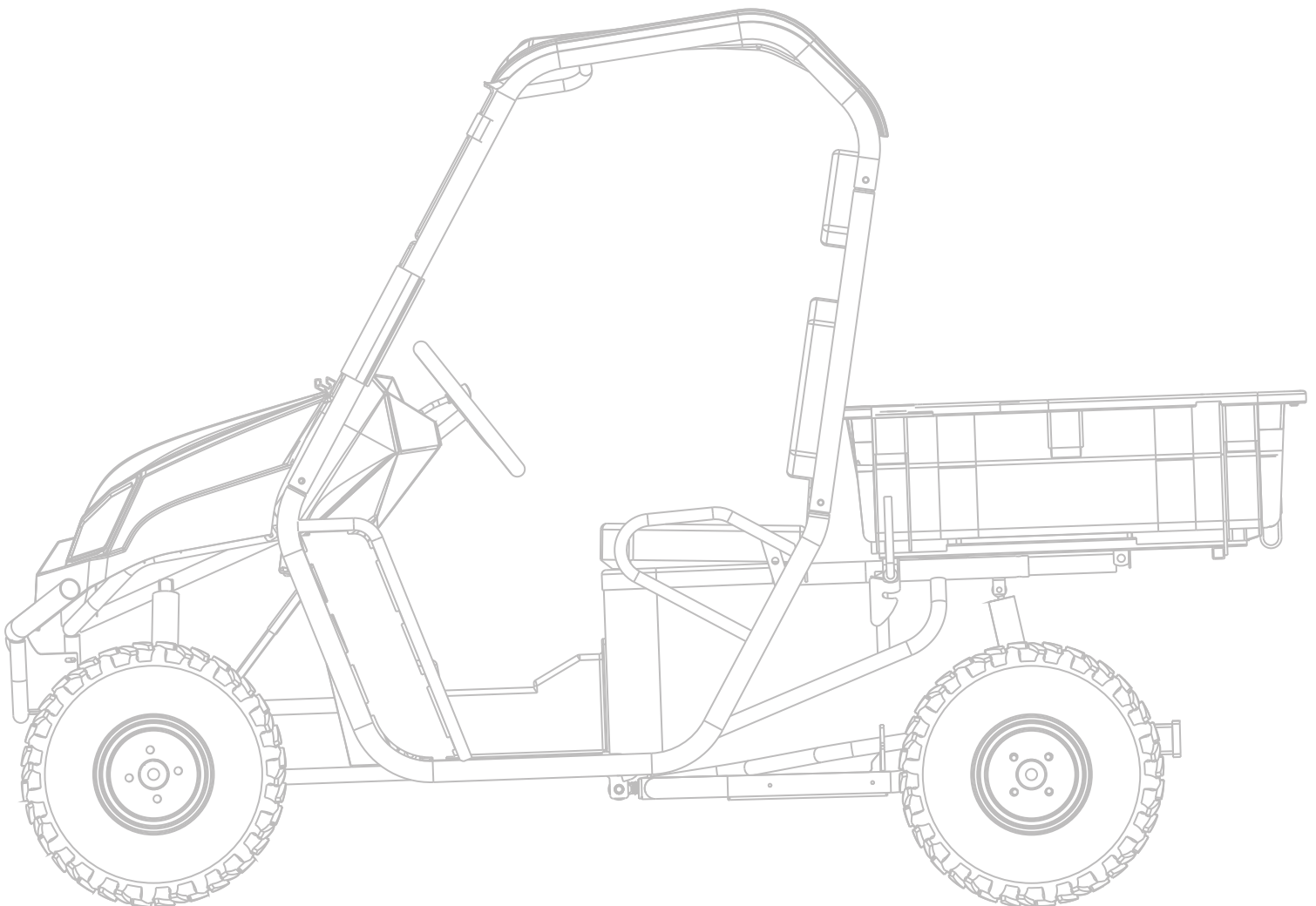


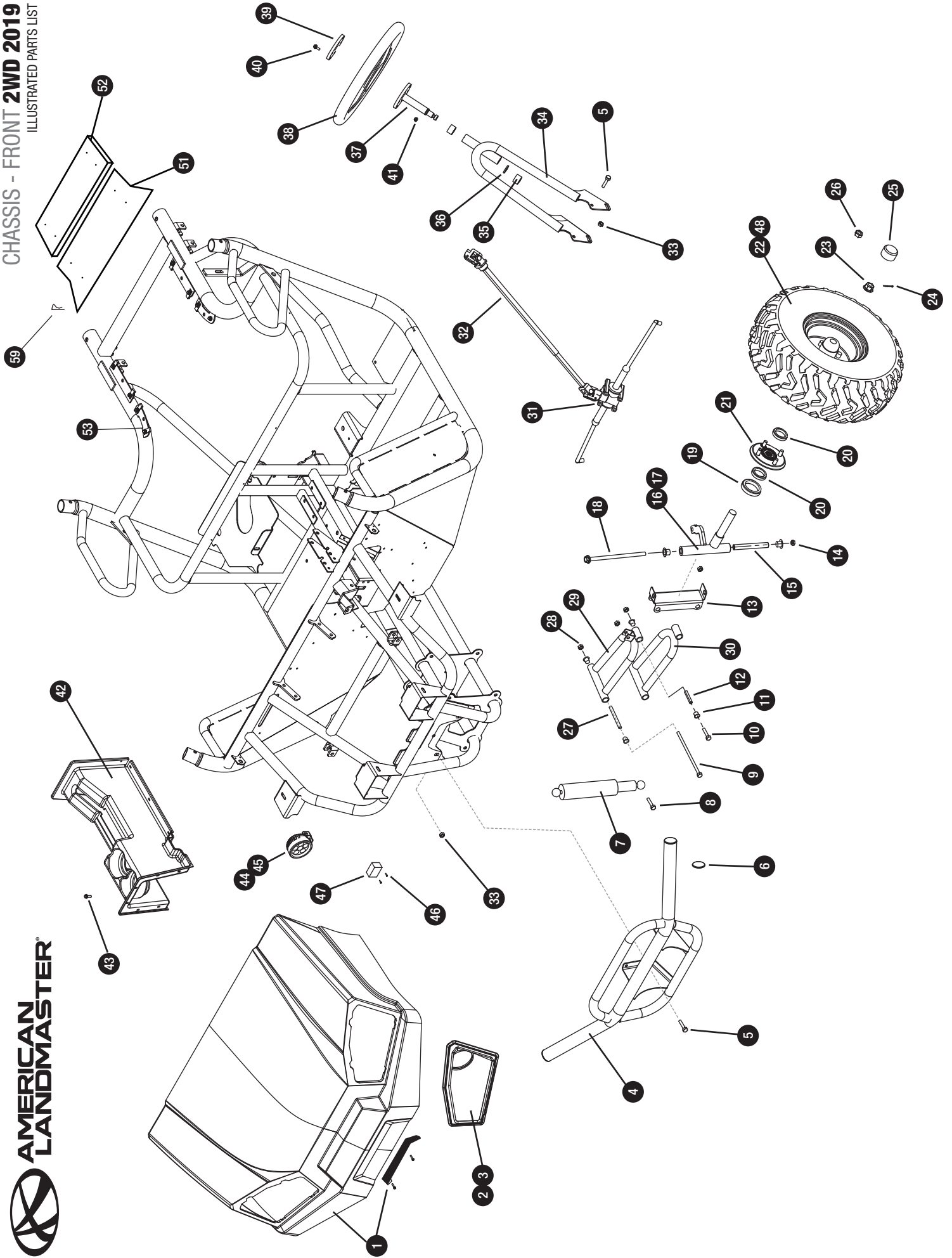
ILLUSTRATED PARTS LIST

This Illustrated Parts List covers the following 2017 model American LandMaster made Utility Vehicles

LANDSTAR™**CROSSROAD™**

2WD GAS POWERED UTILITY VEHICLE





NOTE: parts denoted as left hand (LH) or right hand (RH) are from driver's point of view.

REFERENCE NUMBER	PART NUMBER	PART DESCRIPTION	QUANTITY REQUIRED
1	16820	GREEN HOOD ASSEMBLY, GRN-MY17 w/ BRACKET	1
1	16819	RED HOOD ASSEMBLY, RED-MY17 w/ BRACKET	1
1	16822	BLACK HOOD ASSEMBLY, BLK-MY17 w/ BRACKET	1
1	16818	CAMO HOOD ASSEMBLY, CAMO-MY17 w/ BRACKET	1
1	16821	WHITE HOOD ASSEMBLY, WHT-MY17 w/ BRACKET	1
1	2-20157	BOLT, 5/16IN X 3/4IN HEX HEAD G5 FT	4
1	2-50005	NUT, 5/16-18 KEPS	4
1	17649	BLUE HOOD ASSEMBLY, RED-MY17 w/ BRACKET	1
1	17650	GRAY HOOD ASSEMBLY, RED-MY17 w/ BRACKET	1
1	15823	NUT, CLIP	2
1	17659	WASHER, BCK	2
1	17658	BOLT, MG 1.0 X 25	2
2	16257	BEZEL, LH ROUND	1
2	16255	BEZEL, LH SQUARE	1
3	16256	BEZEL, RH ROUND	1
3	16254	BEZEL, RH SQUARE	1
4	16327-2	WDMT, BUMPER BASE CR	1
4	16565-2	WDMT, BUMPER LS	1
4	16329-2	WDMT, BUMPER TW	1
5	2-50150	BOLT, 5/16-18 X 1 HEX HEAD G5	4
6	2-70210	1.75IN ROUND TUBING PLUG-BLACK	2
7	16240	SHOCK, 80MM TRAVEL, SILVER RING	2
8	2-50400	BOLT, 10 X 1.5 X 43MM	2
9	2-50225	BOLT, 3/8IN X 8IN G8 (YELLOW)	4
10	2-50212	BOLT, 3/8IN X 3-1/4IN HEX HEAD G5-ZINC	4
11	2-51102	BUSHING, OIL IMPREGNATED-BRONZE 0.636 IN	22
12	2-10048	SPINDLE MOUNT DOM, .0625INX0.385INX 2.24	4
13	2-18015	UTV, SPINDLE MOUNT	2
14	2-50010	NUT, 3/8-16 NYLOCK	2
15	2-10049	SPINDLE MOUNT DOM, .0625INX 0.385INX 7.5	2
16	16145-2	SPINDLE, 2WD RIGHT - BLACK	1
17	16146-2	SPINDLE, 2WD LEFT - BLACK	1
18	2-50097	BOLT, 3/8IN X 8.5IN HH G5	2
19	2-30620	HUB, GREASE SEAL 1IN (2IN OD), 1/4IN WIDE	2
20	2-11205	BEARING, UTV FRONT HUB	4
21	2-30604	HUB, 4 BOLT HIGH SPEED 1FT COMPLETE-UTV	2
21a	2-25018	WHEEL STUD, 1/2 -20 X 1 5/8"	4
22	2-30123-B	ASM, 22/9-10" TIRE / WHEEL RH - GBLK FRONT	1
22	2-30125-B	ASM, 22/11-10" TIRE / WHEEL RH - GBLK REAR	1
22	16949	ASM, ATW - 0-42 25X10-12 (2)	
23	2-30622	HUB, UTV-CASTLE NUT	2
24	2-30621	HUB-UTV-COTTER PIN	2
25	2-30623	HUB, UTV-DUST CAP	2
26	2-50060	NUT, 1/2IN LUG/WHEEL	8
27	2-42114	A-ARM DOM,0.625IN x 0.385IN x 6.938IN	4
28	2-50010	NUT, 3/8-16 NYLOCK	10
29	16132-2	A-ARM UPPER, 2WD - BLACK	1
30	16131-2	A-ARM LOWER, 2WD - BLACK	1
31	2-10521	STEERING, RACK & PINION (9475M)	1
31a	2-10593	RACK BOOT, 2WD & 4WD	2



GAS POWERED

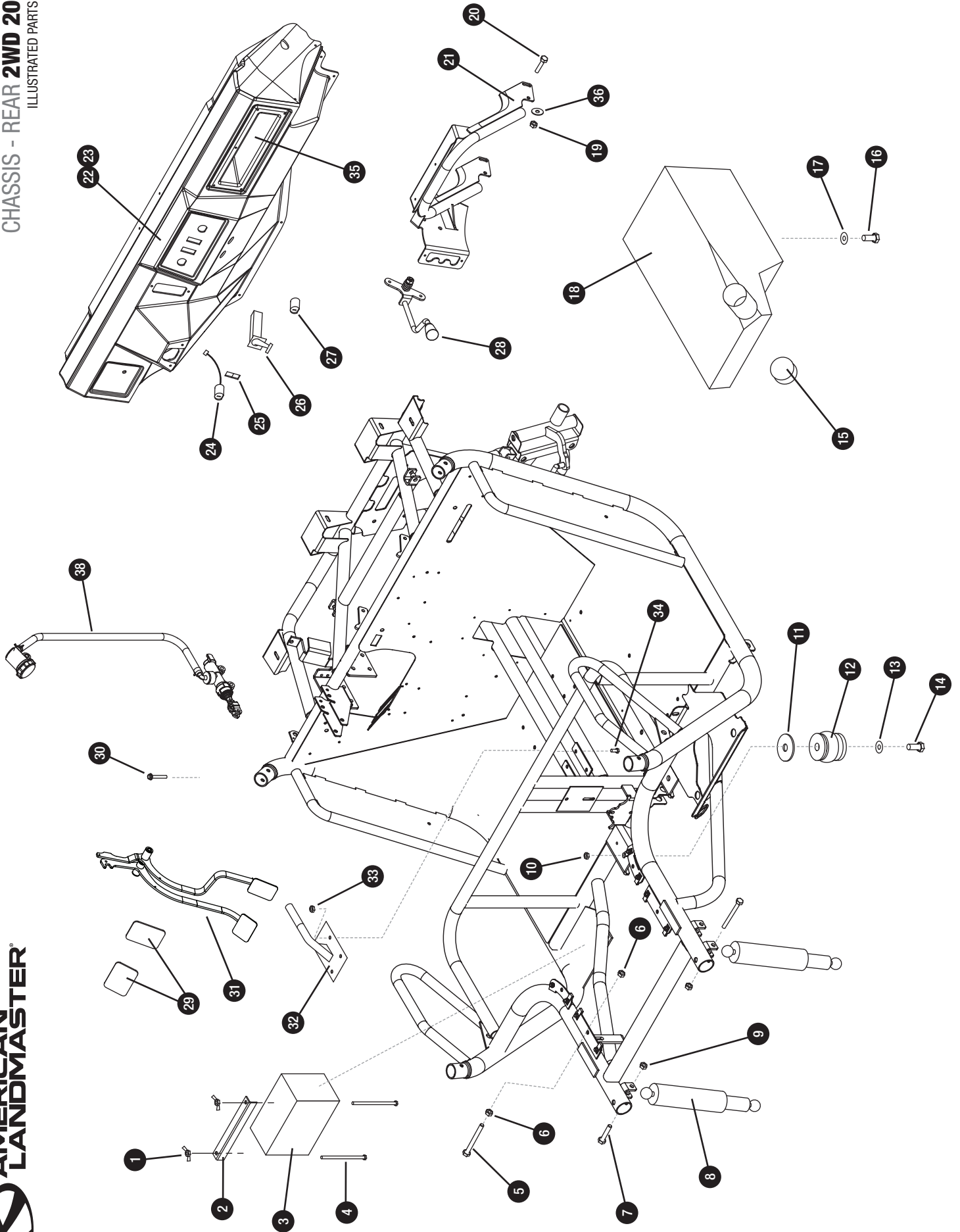
2WD UTILITY VEHICLE CHASSIS - FRONT

NOTE: parts denoted as left hand (LH) or right hand (RH) are from driver's point of view.

REFERENCE NUMBER	PART NUMBER	PART DESCRIPTION	QUANTITY REQUIRED
31b	2-10589	TIE ROD END, TEFLON	2
32	2-10526	SHAFT, STEERING - UNIVERSAL	1
33	2-50013	NUT, 3/8 KEPS	4
34	16734-2	WDMT, STEERING COLUMN - BLK	1
35	2-50010	NUT, 3/8-16 NYLOCK	2
36	2-50708	WASHER, 0.642IN ID X 1IN OD - WAVE	1
37	2-18170	STEERING HUB SHAFT	1
38	14845	STEERING WHEEL - 200S	1
39	14846	CAP, STEERING WHEEL BLK - 200S	1
40	2-50636	BOLT, 1/4IN X 3/4IN SOCKET HEAD (SS)	6
41	2-50001	NUT, 1/4-20 NYLOCK	6
42	16924	CONSOLE, 2WD CENTER - MATTE BLK - 2018	1
43	2-50624	SCREW,#10 X 3/4IN HEX WASHER BLUNT-BLK	19
44	16342	HEADLIGHT, LED SQUARE	2
45	16341	HEADLIGHT, LED ROUND	2
46	2-50624	SCREW,#10 X 3/4IN HEX WASHER BLUNT-BLK	2
47	16707	COVER; TERMINAL BLOCK	1
48	2-30122-B	ASM, 22/9-10" TIRE / WHEEL LH - GBLK FRONT	1
48	2-30124-B	ASM, 22/11-10" TIRE / WHEEL LH - GBLK REAR	1
48	16949	ASM, ATW-042 25 X 10.00 - 12 TIRE / WHEEL LH - GBLK FRONT & REAR	2
49	2-50065	NUT, 10 MM x 1.5 NYLOCK	2
50	2-50171	BOLT, 5/16IN-18 X 3-3/4IN HH G5	4
51	16797	PLATE, HEAT SHIELD FWD	1
52	16798	PLAT, HEAT SHIELD REAR	1
53	15823	NUT, CUP	8
54	17658	BOLT, MGX1.0X25	8



2WD UTILITY VEHICLE CHASSIS - FRONT CONTINUED



NOTE: parts denoted as left hand (LH) or right hand (RH) are from driver's point of view.

REFERENCE NUMBER	PART NUMBER	PART DESCRIPTION	QUANTITY REQUIRED
1	2-50002	NUT, 1/4IN WING NUT	2
2	2-45414	BATTERY CLAMP BAR	1
3	2-70000	BATTERY, U1L-HDJ7-UTV	1
4	2-50083	BOLT, 1/4IN X 7-1/2IN HEX HEAD G5	2
5	2-50208	BOLT, 3/8IN X 2-1/2IN HEX HEAD G5	1
6	2-50013	3/8 KEPS NUT	2
7	2-50400	BOLT, 10 X 1.5 X 43MM	4
8	2-70302	SHOCK, 80MM GOLD RING	4
9	2-50065	NUT, 10 MM x 1.5 NYLOCK	4
10	2-50061	NUT, 1/2-13 NYLOCK	2
15	2-55066	CAP, FUEL	1
16	2-50163	BOLT, 5/16IN X 3/4IN HEX HEAD G5	3
17	2-50701	WASHER, 5/16 SAE FLAT	3
18	2-55077	TANK, FUEL - 5 GALLON	1
-	2-55063	ELBOW FUEL INLET W/ #200 MESH SCREEN	1
-	2-55062	FUEL FITTING GROMMET	1
19	2-50005	NUT, 5/16-18 KEPS	4
20	2-50157	BOLT, 5/16IN X 3/4IN HEX HEAD G5 FT	2
21	16340-2	WDMT, DASH SPPT BOOST - BLACK	1
22	16368	UPPER DASH - 450	1
23	16251	UPPER DASH - 350	1
24	16833	IGNITION KEY SWITCH (WITH 2 KEYS)	1
-	16836	KEY, IGNITION REPLACEMENT – SET OF 2 (Serial numbers 74798 and higher)	2
-	2-70092	KEY, IGNITION REPLACEMENT – SET OF 2 (Serial numbers up to but not including 74798)	2
25	2-70066	SWITCH, ROCKER PRINTED (HEADLIGHTS)	1
26	16452	LEVER, DIFFERENTIAL LOCK ASSEMBLY	1
27	2-70080	OUTLET, ACCESSORY-12V DC POWER	2
27	2-70081	CAP, RUBBER-FOR OUTLET SOCKET	2
28	16359	WDMT, SHIFTER LEVER	1
29	2-70261	PAD, RUBBER - PEDAL	2
30	2-50157	BOLT, 5/16IN X 3/4IN HEX HEAD G5 FT	4
31	16898	PEDAL CLUSTER ASSEMBLY - 2018	1
32	2-11127	BRAKE, PARKING-UTV	1
33	2-50005	NUT, 5/16-18 KEPS	4
34	2-50163	BOLT, 5/16IN X 3/4IN HEX HEAD G5	4
35	16461	BOX, GLOVE - UTV - MATTE BLK	1
36	2-50704	WASHER, 5/16IN USS FLAT	2
37	2-50740	WASHER, 3/8IN USS FLAT WASHER	2
38	16906	MASTER CYLINDER	1



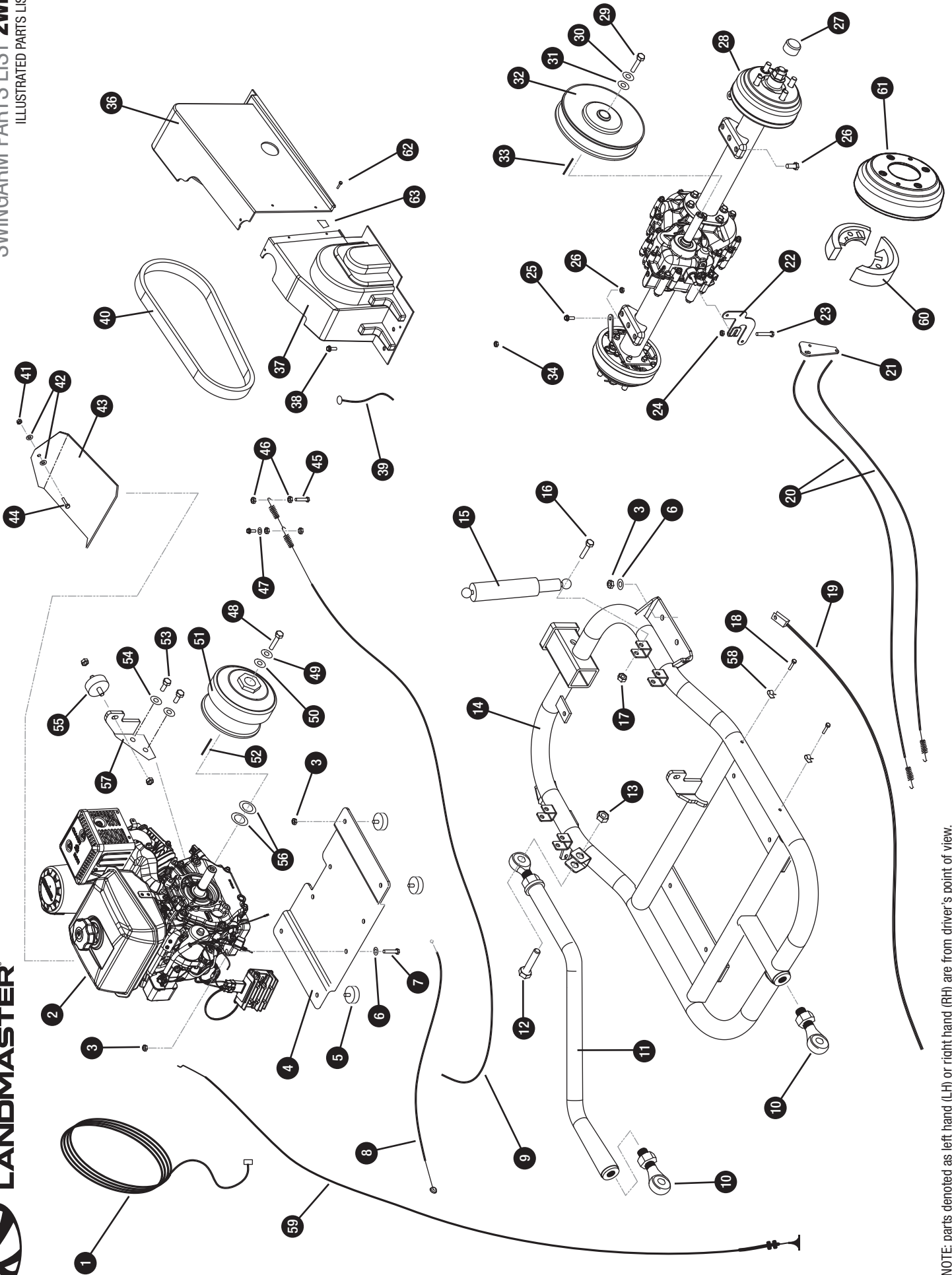
GAS POWERED

2WD UTILITY VEHICLE CHASSIS - REAR



SWINGARM PARTS LIST 2WD

ILLUSTRATED PARTS LIST



NOTE: parts denoted as left hand (LH) or right hand (RH) are from driver's point of view.

NOTE: parts denoted as left hand (LH) or right hand (RH) are from driver's point of view.

REFERENCE NUMBER	PART NUMBER	PART DESCRIPTION	QUANTITY REQUIRED	
1	16769	HARNESS, WIRING - 440 EFI	1	
2	16728	6611 - HARNESS 56L CYL 395	1	
2	16755	ENGINE, ECN440	1	
3	2-50010	NUT, 3/8-16 NYLOCK	18	
4	16990-2	UTV, MOTOR PLATES-UTILITY	1	
5	2-70251	RUBBER, #30 VIBRATION ISOLATORS-MTR MNTS	4	
6	2-50740	WASHER, 3/8IN USS FLAT WASHER	8	
7	2-50202	BOLT, 3/8IN X 1-3/4IN HEX HEAD G5	4	
8	16910	THROTTLE CABLE - 300 SERIES; STD CAB	1	Kohler
9	16330	CABLE, DIFFERENTIAL - STD CAB	1	
10	2-10583	ROD END, HIGH MISALIGNMENT	3	
11	16124-2	BAR, SUSPENSION LOCATING-UTV-BLACK	1	
12	2-50280	BOLT, 3/4IN X 2-1/2IN-HH G5-FT	1	
13	2-50020	NUT, 3/4-16 NYLOCK	1	
14	17414-2	WDMT, SWINGARM 2WD BOOST - BLACK	1	
15	2-70302	SHOCK, 80 MM TRAVEL, 325 EXT; BR2	4	
16	2-50400	BOLT, 10 MM X 1.5 X 43 MM HEX HEAD	2	
17	2-50065	NUT, 10 MM x 1.5 NYLOCK	2	
18	16578	BOLT, 5/16"-18 X 3/4 THREAD CUT - HEX	4	
19	2-11104	BRAKE CABLE - 2018	2	
20	16437	CABLE, SHIFTER - STD CAB	2	
21	2-18011	UTV, SHIFTER BRACKET-TRANSMISSION (REV C	1	
22	2-18012	UTV, SHIFTER LEVER-TRANSMISSION (REV D)	1	
23	2-50085	BOLT, 1/4IN X 1-1/2IN HEX HEAD G5	1	
24	2-50068	NUT, 1/4IN NYLOCK	1	
25	2-50150	BOLT, 5/16-18 X 1 HEX HEAD G5	2	
26	2-50007	NUT, 5/16-18 NYLOCK	2	
27	2-70209	CAP, VINYL-1-1/2IN X 1-1/2IN MC#9753K72-	2	
28	16907	AXLE, 2WD HYD DHFLOC	1	
28	16980	AXLE, 2WD HYD NO DIFF LOC	1	
29	2-50249	BOLT, 1/2IN-20 X 2.5 IN FT HH	1	
30	2-50722	WASHER, 1/2IN LOCK WASHER	1	
31	2-50720	WASHER, 1/2IN SAE FLAT	1	
32	16541	DRIVEN, CVT - 4X2	1	Kohler
33	2-10191	KEYSTOCK, 3/16 X 3/16 X 3-1/4-CVTECH DRI	1	
34	2-50053	NUT, #10-24 KEPS NUT	6	
36	16517	GUARD, BELT REAR	1	
37	16516	GUARD, BELT FRNT	1	
38	2-50616	SCREW, #10-24 X 3/4IN PAN HEAD-PHILLIPS	6	
39	16537	CABLE TIE, BUTTON HEAD	1	
40	2-20694	BELT, CV TECH-NEW-UTV (SEE SPECS)	1	
41	2-50001	NUT, 1/4-20 NYLOCK	3	
42	2-50715	WASHER, 1/4IN USS FLAT WASHER	4	
43	2-18187	UTV, THROTTLE GUARD (KOHLER)	1	CH 395/CH440
44	2-50086	BOLT, 1/4-20 X 1-1/4IN HEX HEAD G5	3	
45	2-50085	BOLT, 1/4IN X 1-1/2IN HEX HEAD G5	2	

GAS POWERED

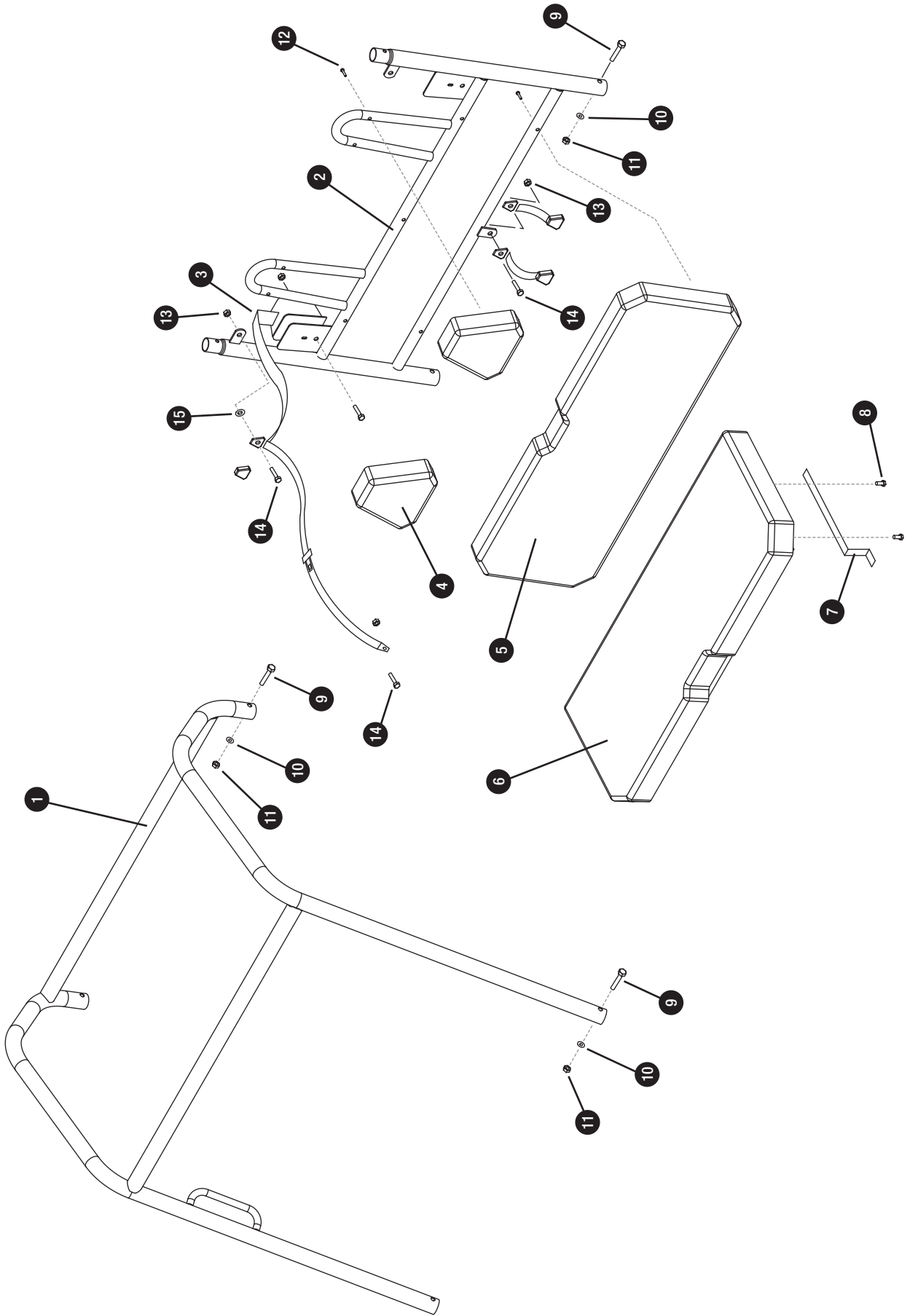
2WD UTILITY VEHICLE SWINGARM

NOTE: parts denoted as left hand (LH) or right hand (RH) are from driver's point of view.

REFERENCE NUMBER	PART NUMBER	PART DESCRIPTION	QUANTITY REQUIRED	
46	2-50000	NUT, 1/4IN KEPS	4	
47	2-50717	WASHER, 1/4IN SAE FLAT	2	
48	2-50304	BOLT, 7/16IN X 5IN G5	1	Kohler
48	2-50226	BOLT, 3/8IN W/TAPERED HEAD	1	Honda
49	2-50793	WASHER, 7/16IN LOCK	1	Kohler
50	2-50744	WASHER, 7/16IN FENDER X 1-1/2IN OD .125	1	Kohler
51	16538	DRIVER, CVT - 4X2 WITH 22" TIRES	1	Kohler
51	16359	DRIVER CVT, 4X2 25" TIRES	1	Kohler
52	2-10190	KEYSTOCK, 3/16 X 1/4 X 1-1/2-CV TECH DRI	1	
53	2-50157	BOLT, 5/16IN X 3/4IN HEX HEAD G5 FT	2	
54	2-50704	WASHER, 5/16IN USS FLAT	2	
55	2-70252	RUBBER, #70 VIBRATION ISOLATORS-MTR MNTS	1	
56	2-50745	WASHER, 1IN ID X 1-1/2IN OD X .1345 THIC	2	Kohler
57	16987-2	UTV, TENSION MOUNT	1	
58	16708	CLAMP, "P" - 5/8" BUNDLE; 3/8" BOLT	4	
59	16476	CHOKE CABLE - 98" (used on Kohler CH395 engine)	1	Kohler
60	16278	BRAKE SHOES & LINING - 2WD (kit includes 4 shoes to cover both rear wheels)	1	
61	2-11191	BRAKE DRUM Replacement #012WA123	2	
62	2-50624	Screws	3	
63	15958	U-Clip Nuts	3	
N/S	16021	HARNESS, 400 GROUND - 24 IN	1	Honda
N/S	16020	HARNESS, 300 GROUND - 24 IN	1	Kohler
N/S	2-11807	SPRING- KOHLER THROTTLE SPRING	1	Kohler
N/S	2-11804	SPRING #80704-THROTTLE/ DIFERENTIAL RETURN	2	Honda
N/S	2-16537	Button Head Cable Ties	2	
N/S	2-60223	11in Black Cable Tie	1	
N/S	2-11141	BRAKE LINE REAR		



2WD UTILITY VEHICLE SWINGARM CONTINUED

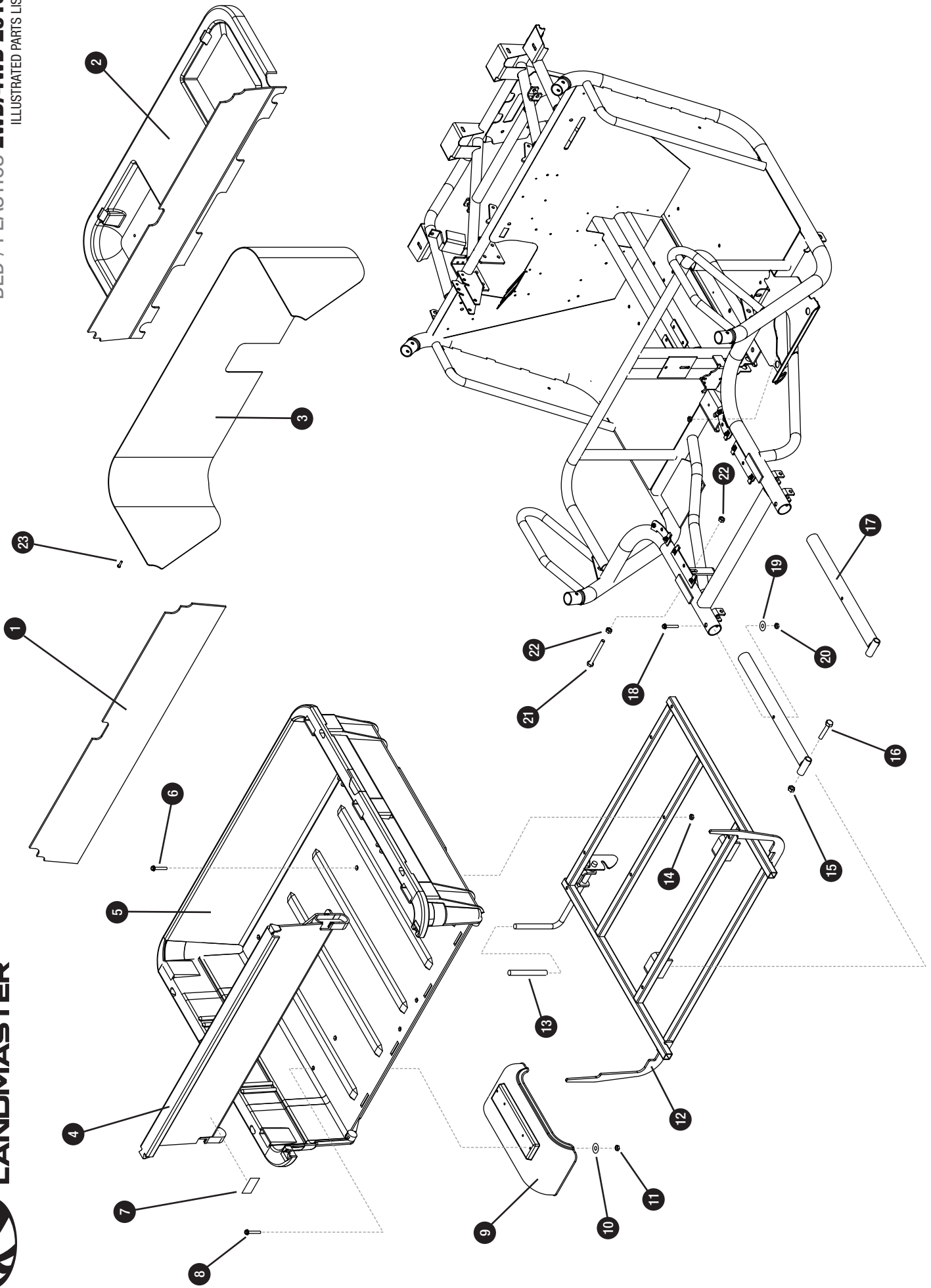


NOTE: parts denoted as left hand (LH) or right hand (RH) are from driver's point of view.

REFERENCE NUMBER	PART NUMBER	PART DESCRIPTION	QUANTITY REQUIRED
1	16222-2	WDMT, OH A PILLAR - BLK	1
2	16223-2	WDMT, OH B PILLAR- BLK	1
3	14786	SEATBELT, RETRACTABLE	2
4	16326	CUSHION, HEADREST	2
5	16325	CUSHION, SEAT BACK	1
6	16324	CUSHION, SEAT BOTTOM	1
7	16294-2	BRKT, SEAT HINGE	2
8	2-50087	BOLT, 1/4-20 X 1	4
9	2-50172	BOLT, 5/16IN X 2IN SOCKET HEAD	6
10	2-50702	WASHER, 5/16IN TUBE FIT (BENT)	6
11	2-50007	NUT, 5/16-18 NYLOCK	6
12	16679	SCREW, 1/4-20 X 1.75 FTPMS	9
13	15982	NUT, M12 X 1.75 FLANGE TOP LOCK	2
14	15829	BOLT, M12 X 1.75 X 25 FHCS	2
15	2-50721	WASHER, 1/2 USS FLAT	2



2WD UTILITY VEHICLE BARS / SEATS / BELTS



NOTE: parts denoted as left hand (LH) or right hand (RH) are from driver's point of view.

REFERENCE NUMBER	PART NUMBER	PART DESCRIPTION	QUANTITY REQUIRED
2	16463	TRAY, UNDERSEAT STORAGE	1
3	16459	SURROUND, 2WD SEAT	2
4	2-18357	TAILGATE, UTV	1
5	2-18356	BED, POLY DUMP	1
5	16978-2	BED, STEEL FLAT	1
6	2-50092	BOLT, 1/4IN X 2IN HH G5	4
7	2-70150	REFLECTOR, UTV RED	2
8	2-50087	BOLT, 1/4IN X 1IN	4
9	16458	FENDER, REAR	2
10	2-50717	WASHER, 1/4IN SAE FLAT	4
11	2-50001	NUT, 1/4-20 NYLOCK	4
12	16117-2	FRAME, BED - BLK	1
13	2-70241	TUBE, RUBBER HANDLE	1
14	2-50001	NUT, 1/4-20 NYLOCK	4
15	2-50015	NUT, 5/8-11 NYLOCK	2
16	2-50255	BOLT, 5/8IN X 4IN G8-PLATED	2
17	16122-2	HINGE EXTENSION - BLK	2
18	2-50172	BOLT, 5/16IN X 2IN SOCKET HEAD	2
19	2-50702	WASHER, 5/16IN TUBE FIT (BENT)	2
20	2-50007	NUT, 5/16-18 NYLOCK	2
21	2-50208	BOLT, 3/8IN X 2-1/2IN HEX HEAD G5	1
22	2-50013	NUT, 3/8 KEPS	2
23	16961	SCREW, #10 X 1/2IN T20 C-SUNK TEK-BLK	5
24	2-18413	BED BUMPER 1.5 INCH (RUBBER)	2



GAS POWERED
2WD UTILITY VEHICLE BED / PLASTICS



2499 S 600 E, suite 102
Columbia City, IN 46725

Toll Free 800-643-7332
Fax 800-399-1399
www.americanlandmaster.com