

# ILLUSTRATED PARTS LIST

*This Illustrated Parts List covers the following American LandMaster made Utility Vehicles*

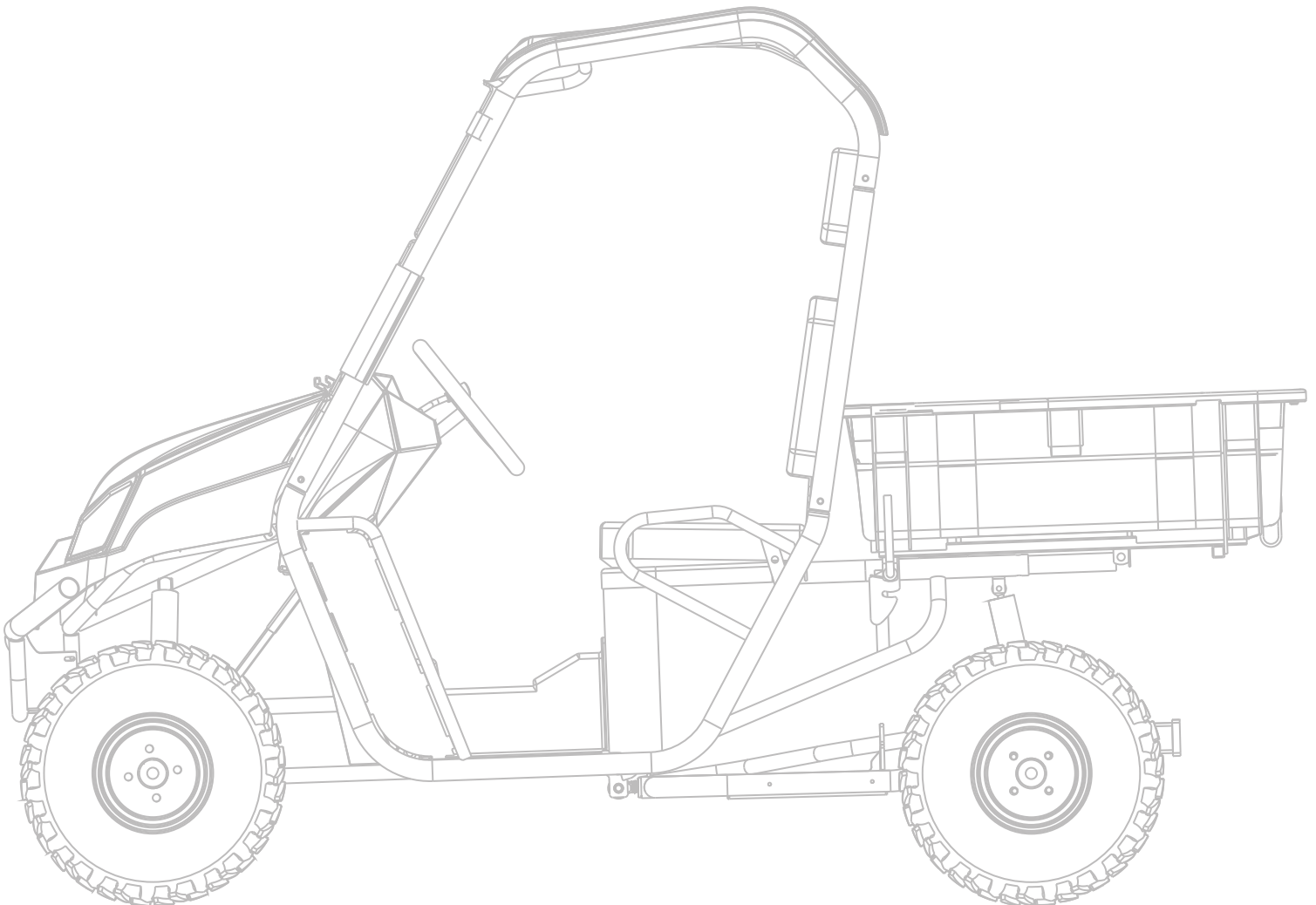
**LANDSTAR™**

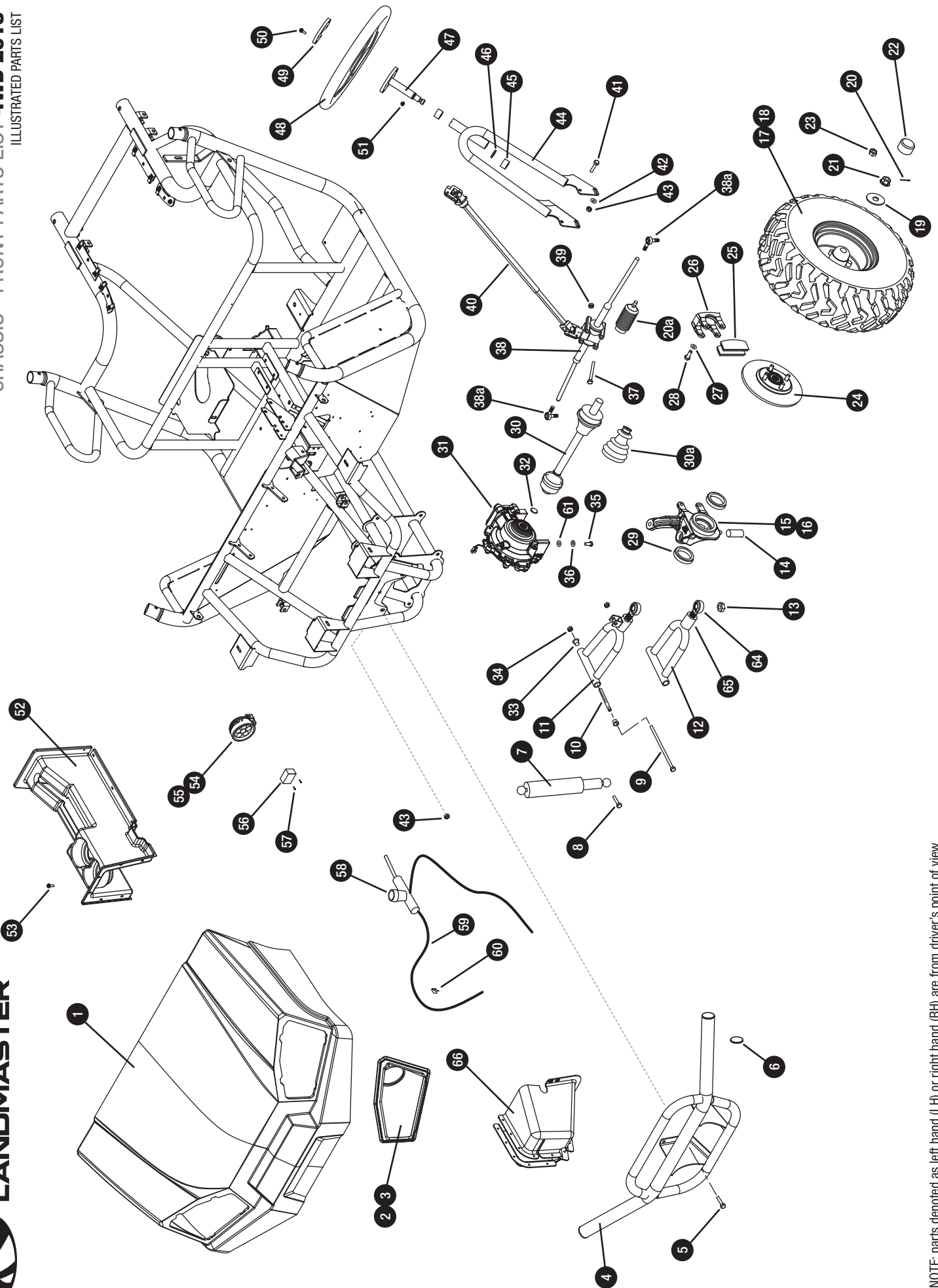
**CROSSROAD™**

---

## **4WD GAS POWERED UTILITY VEHICLE**

---





NOTE: parts denoted as left hand (LH) or right hand (RH) are from driver's point of view.

NOTE: parts denoted as left hand (LH) or right hand (RH) are from driver's point of view.

REFERENCE NUMBER	PART NUMBER	PART DESCRIPTION	QUANTITY REQUIRED
1	16820	GREEN HOOD ASSEMBLY, GRN-MY17 w/ BRACKET	1
1	16819	RED HOOD ASSEMBLY, RED-MY17 w/ BRACKET	1
1	16822	BLACK HOOD ASSEMBLY, BLK-MY17 w/ BRACKET	1
1	16818	CAMO HOOD ASSEMBLY, CAMO-MY17 w/ BRACKET	1
1	16821	WHITE HOOD ASSEMBLY, WHT-MY17 w/ BRACKET	1
1	2-20157	BOLT, 5/16IN X 3/4IN HEX HEAD G5 FT	4
1	2-50005	NUT, 5/16-18 KEPS	4
2	16257	BEZEL, LH ROUND	1
2	16255	BEZEL, LH SQUARE	1
3	16256	BEZEL, RH ROUND	1
3	16254	BEZEL, RH SQUARE	1
4	16327-2	WDMT, BUMPER BASE CR	1
4	16565-2	WDMT, BUMPER LS	1
4	16329-2	WDMT, BUMPER TW	1
5	2-50150	BOLT, 5/16-18 X 1 HEX HEAD G5	4
6	2-70210	1.75IN ROUND TUBING PLUG-BLACK	2
7	2-70302	SHOCK, UTV 3IN - BLACK	2
8	2-50400	BOLT, 10 X 1.5 X 43MM	2
9	2-50225	BOLT, 3/8IN X 8IN G8 (YELLOW)	4
10	2-42114	A-ARM DOM, 0.625" X 0.385" X 6.938"	4
11	16435-2	WDMT, A ARM UPPER - 4WD - BLK	2
12	16436-2	WDMT, A ARM LOWER - 4WD - BLK	2
13	2-50073	NUT, 5/8-18IN NYLOCK JAM	4
14	2-45153	SPACER, ROD END 4X4- 5/8IN	4
15	15839	SPINDLE ASSEMBLY, 4WD LH FRONT -8 3/4" FINISHED (asm includes wheel studs, rotor, spindle & bearings)	1
16	15840	SPINDLE ASSEMBLY, 4WD RH FRONT -8 3/4" FINISHED (asm includes wheel studs, rotor, spindle & bearings)	1
17	16946	ASM, ATW-042 25 X 8.00 - 12 TIRE / WHEEL LH - GBLK	2
18	16949	ASM, ATW-042 25 X 10.00 - 12 TIRE / WHEEL RH - GBLK	2
19	15384	WASHER, BELLEVILLE M16	2
20	15834	PIN, 7/64" x 2.0 COTTER	2
21	2-50073	NUT, 5/8-18IN NYLOCK JAM	2
22	2-30623	HUB, UTV-DUST CAP	2
23	2-50060	NUT, 1/2IN LUG/WHEEL	8
24	2-25011	ROTOR, 8-3/4 IN - 40N4 1/2-20 STUD	2
24a	2-25018	WHEEL STUD, 1/2 -20 X 1 5/8"	4
25	2-11167	BRAKE PADS-RAZORBACK, TYPE 98 (33-23194)	4
26	2-11124	BRAKE CALIPER-RAZORBACK (99-22664)	2
N/S	2-11169	BRAKE, RETAINING CLIPS-SMALL-RAZORBACK	4
N/S	2-11168	BRAKE MOUNT PINS-RAZORBACK (05-17221)	4
27	2-11138	BRAKE LINE-CRUSH WASHER (M10 SIZE)	4
28	2-11137	BRAKE LINE-BANJO BOLT (M10X1.0)	2
29	2-25021	4X4, STRUT WHEEL BEARING (72MM)	4
30	2-20863	FRONT CV HALF SHAFT	2
30a	2-20873	AXLE, CV BOOT KIT 3IN (1 BOOT)	2
31	2-20839	FRONT DIFFERENTIAL-CFD #6203-01-256	1
32	16175	CIRCLIP, 24.5 X 1.6	2
33	2-51102	BUSHING, OIL IMPREGNATED-BRONZE 0.636 IN	8
34	2-50010	NUT, 3/8-16 NYLOCK	4
35	2-50215	BOLT, 3/8IN X 1-1/4IN HEX HEAD G5	4
36	2-50741	WASHER, 3/8IN LOCK	4



GAS POWERED

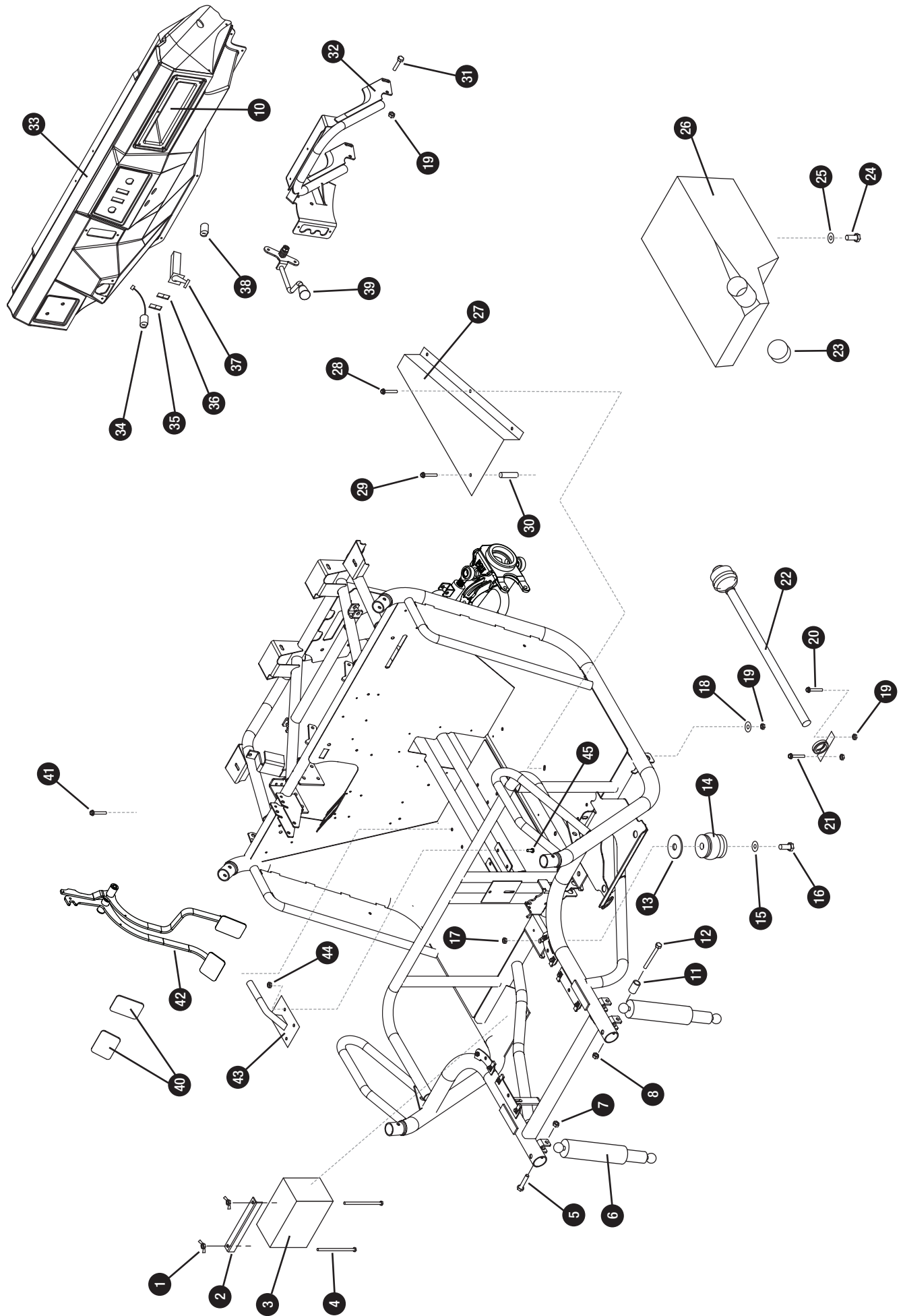
4WD UTILITY VEHICLE CHASSIS - FRONT

NOTE: parts denoted as left hand (LH) or right hand (RH) are from driver's point of view.

REFERENCE NUMBER	PART NUMBER	PART DESCRIPTION	QUANTITY REQUIRED
37	2-50171	BOLT, 5/16IN-18 X 3-3/4IN HH G5	4
38	2-10596	STEERING, RACK & PINION-265	1
39	2-50005	NUT, 5/16-18 KEPS	4
40	2-10526	SHAFT, STEERING - UNIVERSAL	1
41	2-50150	BOLT, 5/16-18 X 1 HEX HEAD G5	4
42	2-50701	WASHER, 5/16 SAE FLAT	2
43	2-50005	NUT, 5/16-18 KEPS	4
44	16734-2	WDMT, STEERING COLUMN - BLK	1
45	2-51102	BUSHING, OIL IMPREGNATED-BRONZE 0.636 IN	2
46	2-50708	WASHER, 0.642IN ID X 1IN OD - WAVE	1
47	2-18170	STEERING HUB SHAFT	1
48	14845	STEERING WHEEL - 200S	1
49	14846	CAP, STEERING WHEEL BLK - 200S	1
50	2-50636	BOLT, 1/4IN X 3/4IN SOCKET HEAD (SS)	6
51	2-50001	NUT, 1/4-20 NYLOCK	6
52	16925	CONSOLE, 4WD CENTER - MATTE BLK - 2018	1
53	2-50624	SCREW,#10 X 3/4IN HEX WASHER BLUNT-BLK	19
54	16342	HEADLIGHT, LED SQUARE	2
55	16341	HEADLIGHT, LED ROUND	2
56	16707	COVER; TERMINAL BLOCK	1
57	2-50624	SCREW,#10 X 3/4IN HEX WASHER BLUNT-BLK	2
58	16905	BRAKE, MASTER CYLINDER - 4WD	1
59	16902	BRAKE LINE - FRONT - HAND BRAKE	1
60	16577	CLAMP, "P" - 5/16" BUNDLE; M10 BOLT	4
61	2-50740	WASHER, 3/8IN USS FLAT WASHER	4
62	2-45152	SPACER, ROD END 4X4- 3/16IN	4
63	2-11173	BRAKE SHOES - REAR UTV – DANA "1 set for each wheel"	2
64	2-10600	NON STUDED ROD END	4
65	2-45152	SPACER, ROD END 4X4- 3/16IN	4
66	16923	COVER, UNDERHOOD BRAKE	1



4WD UTILITY VEHICLE CHASSIS - FRONT CONTINUED



NOTE: parts denoted as left hand (LH) or right hand (RH) are from driver's point of view.

REFERENCE NUMBER	PART NUMBER	PART DESCRIPTION	QUANTITY REQUIRED
1	2-50002	NUT, 1/4IN WING NUT	2
2	2-45414	BATTERY CLAMP BAR	1
3	2-69998	BATTERY, UB12350 SEALED LEAD ACID	1
4	2-50083	BOLT, 1/4IN X 7-1/2IN HEX HEAD G5	2
5	2-50400	BOLT, 10 X 1.5 X 43MM	1
6	14535	SHOCK, REAR - CHR/YELLOW	2
7	2-50065	NUT, 10 MM x 1.5 NYLOCK	4
8	2-50065	NUT, 10 X 1.5MM	1
9	2-45150	A-ARM BUSHING/SHOCK SPACER-4X4	1
10	16461	BOX, GLOVE - UTV - MATTE BLK	1
11	2-45150	A-ARM BUSHING/SHOCK SPACER-4X4	1
12	2-50404	BOLT, 10MM X 70MM	1
13	16753	SPACER, .531" ID 2.0" OD .25" THICK	2
14	16258	AUXILIARY, JOUNCE BUMPER	2
15	2-50720	WASHER, 1/2IN SAE FLAT	2
16	16754	BOLT, 1/2-13 X 2.0 HHCS FT GRADE 5	2
17	2-50061	NUT, 1/2-13 NYLOCK	2
18	2-50701	WASHER, 5/16 SAE FLAT	4
19	2-50005	NUT, 5/16-18 KEPS	4
20	2-50157	BOLT, 5/16IN X 3/4IN HEX HEAD G5 FT	2
21	2-25010	4X4, DRIVE SHAFT BEARING-PILLOW BLOCK ST	1
22	16430	SHAFT, CV DRIVE - FRONT 36.5" OAL	1
23	2-55066	CAP, FUEL	1
24	2-50163	BOLT, 5/16IN X 3/4IN HEX HEAD G5	3
25	2-50701	WASHER, 5/16 SAE FLAT	3
26	2-55077	TANK, FUEL - 5 GALLON	1
-	2-55063	ELBOW FUEL INLET W/ #200 MESH SCREEN	1
-	2-55062	FUEL FITTING GROMMET	1
27	16664-2	COVER, DRIVE SHAFT - BOOST BLACK	1
28	2-50157	BOLT, 5/16IN X 3/4IN HEX HEAD G5 FT	3
29	2-50171	BOLT, 5/16IN-18 X 3-3/4IN HH G5	1
30	2-45506	DRIVE SHAFT COVER SPACER-BLACK	1
31	2-50157	BOLT, 5/16IN X 3/4IN HEX HEAD G5 FT	4
32	16340-2	WDMT, DASH SPPT BOOST - BLACK	1
33	-->	UPPER DASH - 4WD (16369) - LOWER DASH (16923) - DASH RIVETS (16367)	1
34	16833	IGNITION KEY SWITCH (WITH 2 KEYS)	1
-	16836	KEY, IGNITION REPLACEMENT – SET OF 2 (Serial numbers 74798 and higher)	2
-	2-70092	KEY, IGNITION REPLACEMENT – SET OF 2 (Serial numbers up to but not including 74798)	2
35	2-70066	SWITCH, ROCKER PRINTED (HEADLIGHTS)	1
36	2-70067	SWITCH, ROCKER PRINTED (4WD/2WD)	1
37	16452	LEVER, DIFFERENTIAL LOCK ASSEMBLY	1
38	2-70080	OUTLET, ACCESSORY-12V DC POWER	2
38	2-70081	CAP, RUBBER-FOR OUTLET SOCKET	2
39	16359	WDMT, SHIFTER LEVER	1
40	2-70261	PAD, RUBBER - PEDAL	2
41	2-50150	BOLT, 5/16-18 X 1 HEX HEAD G5	4
42	16898	PEDAL CLUSTER ASSEMBLY - 2018	1
43	2-11127	BRAKE, PARKING-UTV	1
44	2-50005	NUT, 5/16-18 KEPS	4
45	2-50163	BOLT, 5/16IN X 3/4IN HEX HEAD G5	4
46	2-20873	AXLE, CV BOOT KIT 3IN (1 BOOT)	1



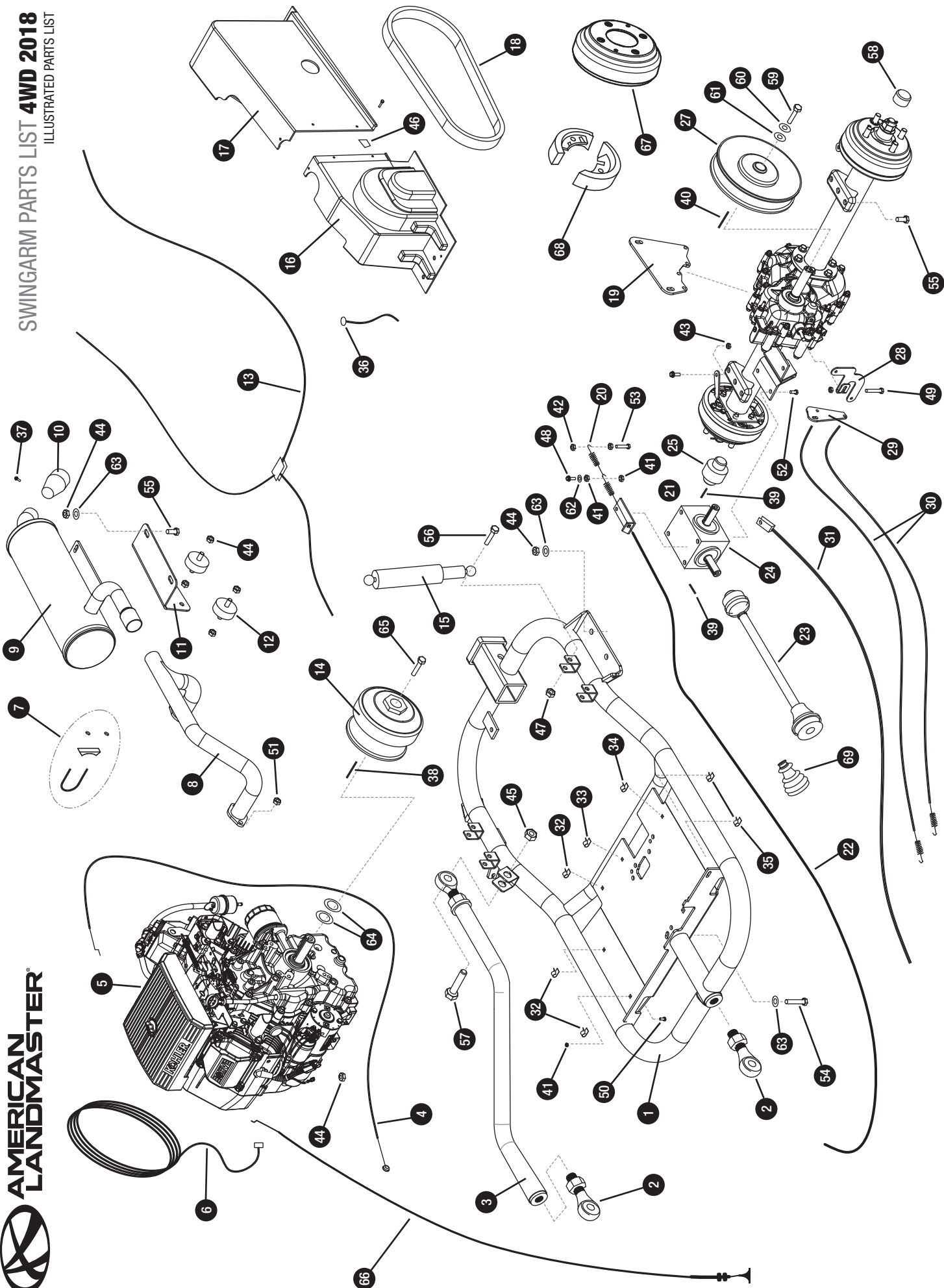
GAS POWERED

4WD UTILITY VEHICLE CHASSIS - REAR



**AMERICAN  
LANDMASTER**

**SWINGARM PARTS LIST 4WD 2018**  
ILLUSTRATED PARTS LIST



NOTE: parts denoted as left hand (LH) or right hand (RH) are from driver's point of view.

publish date: 07/13/18

**4WD UTILITY VEHICLE SWINGARM**

**GAS POWERED**



NOTE: parts denoted as left hand (LH) or right hand (RH) are from driver's point of view.

REFERENCE NUMBER	PART NUMBER	PART DESCRIPTION	QUANTITY REQUIRED
1	16339-2	WDMT, SWINGARM 4WD BOOST - BLACK	1
2	2-10583	ROD END, HIGH MISALIGNMENT	3
3	16124-2	BAR, SUSPENSION LOCATING-UTV-BLACK	1
4	16912	CABLE, THROTTLE - 6&700 SERIES; STD CAB	1
4	16911	CABLE, THROTTLE - B&S	1 B&S ONLY
5	16247	ENGINE, KOHLER CH640 - 674CC	1
N/S	2-20020	ENGINE, BRIGGS 479CC VTWIN	1
6	16455	HARNESS, WIRING - 700CC - STD CAB	1
N/S	16610	HARNESS, WIRING - 500CC - STD CAB	1
N/S	16456	HARNESS, WIRING - 700CC - CREW	1
7	16454	CLAMP, EXHAUST 1 1/4IN	1
N/S	2-60655	STAINLESS STEEL TIE - 8"	2 B&S ONLY
N/S	2-60654	HEADER SEAL 2 X 18 FIBER	1 B&S ONLY
8	16248	EXHAUST, HEADER PIPE - KOHLER CH640	1
N/S	2-42121	EXHAUST, HEADER PIPE - B&S	1 B&S ONLY
9	16249	MUFFLER, V-TWIN - KOHLER	1
N/S	15933	MUFFLER, V-TWIN - B&S	1 B&S ONLY
10	16510	EXHAUST, SPARK ARRESTOR	1 KOHLER
11	16332	BRKT, UPPER EX - KOHLER CH640 - BLK	1
N/S	16031	BRKT, UPPER EX - B&S	1 B&S ONLY
12	2-70251	RUBBER, #30 VIBRATION ISOLATORS-MTR MNTS	2
13	2-11141	BRAKE LINE - 2018	1
14	16540	DRIVER, CVT - 4X4 WITH 25" TIRES	1
15	16241	SHOCK, 80 MM TRAVEL, 325 EXT; BR2	2
16	16516	GUARD, BELT FRNT - 4WD	1
17	16517	GUARD, BELT REAR - 4WD	1
18	2-20698	BELT, CVTECH - VTWIN (SEE SPECS)	1
19	15962	BRACKET, MUFFLER LOWER MNT	1
20	2-11804	SPRING #80704-THROTTLE/ DIFERENTIAL RTRN	1
21	2-18032	UTV, 4X4 DIFF CABLE BRACKET	1
22	16330	CABLE, DIFFERENTIAL - STD CAB	1
23	2-25016	4X4, CV DRIVE SHAFT -REAR	1
24	2-25004	4X4, RIGHT ANGLE GEAR BOX	1
25	2-20841	COUPLER, CHAIN - AXLE SHAFT	1
26	2-20838	AXLE,DANA TRANSAXLE-4 X 4 (012AJ39-1)	1
27	16542	DRIVEN, CVT - 4X4	1
28	2-18012	UTV, SHIFTER LEVER-TRANSMISSION (REV D)	1
29	2-18011	UTV, SHIFTER BRACKET-TRANSMISSION (REV C)	1
30	16437	CABLE, SHIFTER - STD CAB	2
31	2-11104	BRAKE CABLE, PARKING-UTV-4X4	2
32	16713	CLAMP, P" - 15/16" BUNDLE; 1/4" BOLT"	3
33	16711	CLAMP, P" - 7/16" BUNDLE; 1/4" BOLT"	1
34	16710	CLAMP, P" - 1/4" BUNDLE; 1/4" BOLT"	1
35	16712	CLAMP, P" - 9/16" BUNDLE; 1/4" BOLT"	2
36	16537	CABLE TIE, BUTTON HEAD	2
37	2-50630	SCREW, #10 X 3/4IN HEX WASHER TEK-YELLOW	1
38	2-10190	KEYSTOCK, 3/16 X 1/4 X 1-1/2-CV TECH DRI	1
39	2-10184	KEY STOCK, 3/16IN X 1IN	2
40	2-10191	KEYSTOCK, 3/16 X 3/16 X 3-1/4-CVTECH DRI	1
41	2-50000	NUT, 1/4IN KEPS	7



GAS POWERED

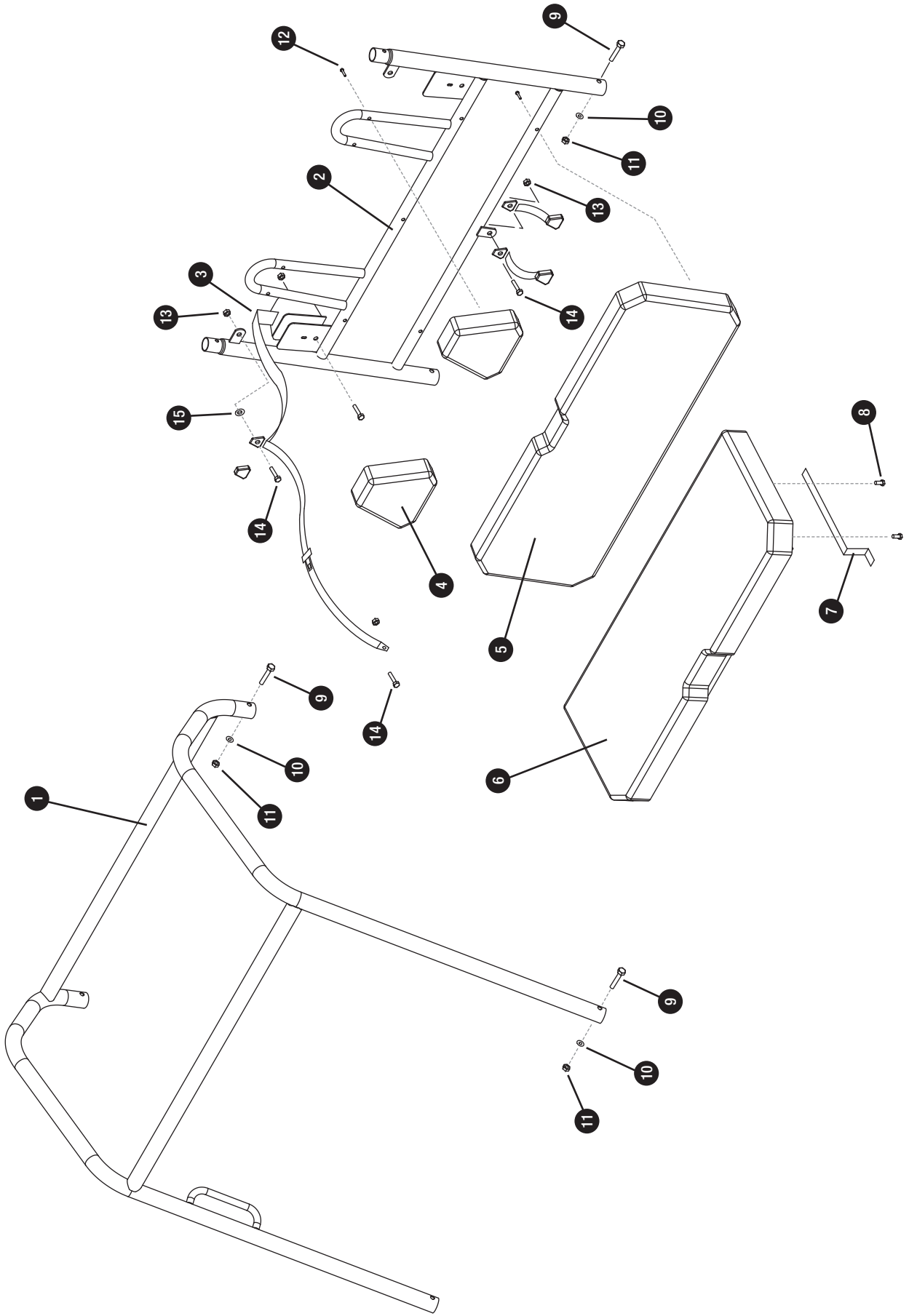
4WD UTILITY VEHICLE SWINGARM

NOTE: parts denoted as left hand (LH) or right hand (RH) are from driver's point of view.

REFERENCE NUMBER	PART NUMBER	PART DESCRIPTION	QUANTITY REQUIRED	
42	2-50005	NUT, 5/16-18 KEPS	2	
43	2-50007	NUT, 5/16-18 NYLOCK	2	
44	2-50010	NUT, 3/8-16 NYLOCK	14	
45	2-50020	NUT, 3/4-16 NYLOCK	1	
46	2-50051	NUT, #10 U-NUT #51	1	
47	2-50065	NUT, 10 MM x 1.5 NYLOCK	2	
48	2-50085	BOLT, 1/4IN X 1-1/2IN HEX HEAD G5	1	
49	2-50086	BOLT, 1/4-20 X 1-1/4IN HEX HEAD G5	1	
50	2-50091	BOLT, 1/4IN-20 X 3/4 CARRIAGE	7	
51	2-50099	NUT, 8 MM FLANGE	4	
52	2-50100	BOLT, SERRATED 5/16 - 18 X 3/4"	6	
53	2-50159	BOLT, 5/16IN X 1-1/2 HEX HEAD G5	1	
54	2-50202	BOLT, 3/8IN X 1-3/4IN HEX HEAD G5	4	
55	2-50206	BOLT, 3/8-16 X 1 HEX HEAD G5	6	
56	2-50400	BOLT, 10 MM X 1.5 X 43 MM HEX HEAD	2	
57	2-50280	BOLT, 3/4IN X 2-1/2IN-HH G5-FT	1	
58	2-70209	CAP, VINYL-1-1/2IN X 1-1/2IN MC#9753K72-	2	
59	2-50249	BOLT, 1/2IN-20 X 2.5 IN FT HH	1	
60	2-50722	WASHER, 1/2IN LOCK WASHER	1	
61	2-50720	WASHER, 1/2IN SAE FLAT	1	
62	2-50717	WASHER, 1/4IN SAE FLAT	2	
63	2-50740	WASHER, 3/8IN USS FLAT WASHER	8	
64	2-50745	WASHER, 1IN ID X 1-1/2IN OD X .1345 THIC	2	B&S ONLY
65	2-50226	BOLT, 3/8-24 X 4.5" TAPERED	1	
66	16476	CHOKE CABLE - 98" (used on Kohler CH640 V-twin engine)	1	Kohler
66	16477	CHOKE CABLE - 116" (used on B & S Vanguard V-twin engine)	1	BS Vanguard
67	2-11191	BRAKE DRUM Replacement #012WA123	2	
68	16278	BRAKE SHOES & LINING - 4WD (kit includes 4 shoes to cover both rear wheels)	1	
69	2-20873	AXLE, CV BOOT KIT 3IN (1 BOOT)	2	
N/S	16526	KIT, TUNE UP - KOHLER	1	Kohler ONLY
N/S	16164	KIT, TUNE UP - B&S	1	B&S ONLY
N/S	2-50053	NUT, #10-24 KEPS NUT	2	
N/S	2-50616	SCREW, #10-24 X 3/4IN PAN HEAD-PHILLIPS	2	
N/S	2-50770	WASHER, #10 SAE FLAT	3	
N/S	2-50853	CLAMP, FUEL HOSE- 7/16IN	2	
N/S	2-65503	UTV, FUEL LINE 3/16IN - BLACK	1	
N/S	2-70002	BATTERY CABLE, RED 19IN	1	
N/S	2-70007	BATTERY TERMINAL COVER-BLACK	1	
N/S	2-70009	BATTERY TERMINAL COVER-RED	2	
N/S	2-70010	BATTERY CABLE, BLACK (27IN) - CW	1	
N/S	2-18059	BRKT, THROTTLE MOUNT - B&S	1	B&S ONLY

GAS POWERED

4WD UTILITY VEHICLE SWINGARM CONTINUED

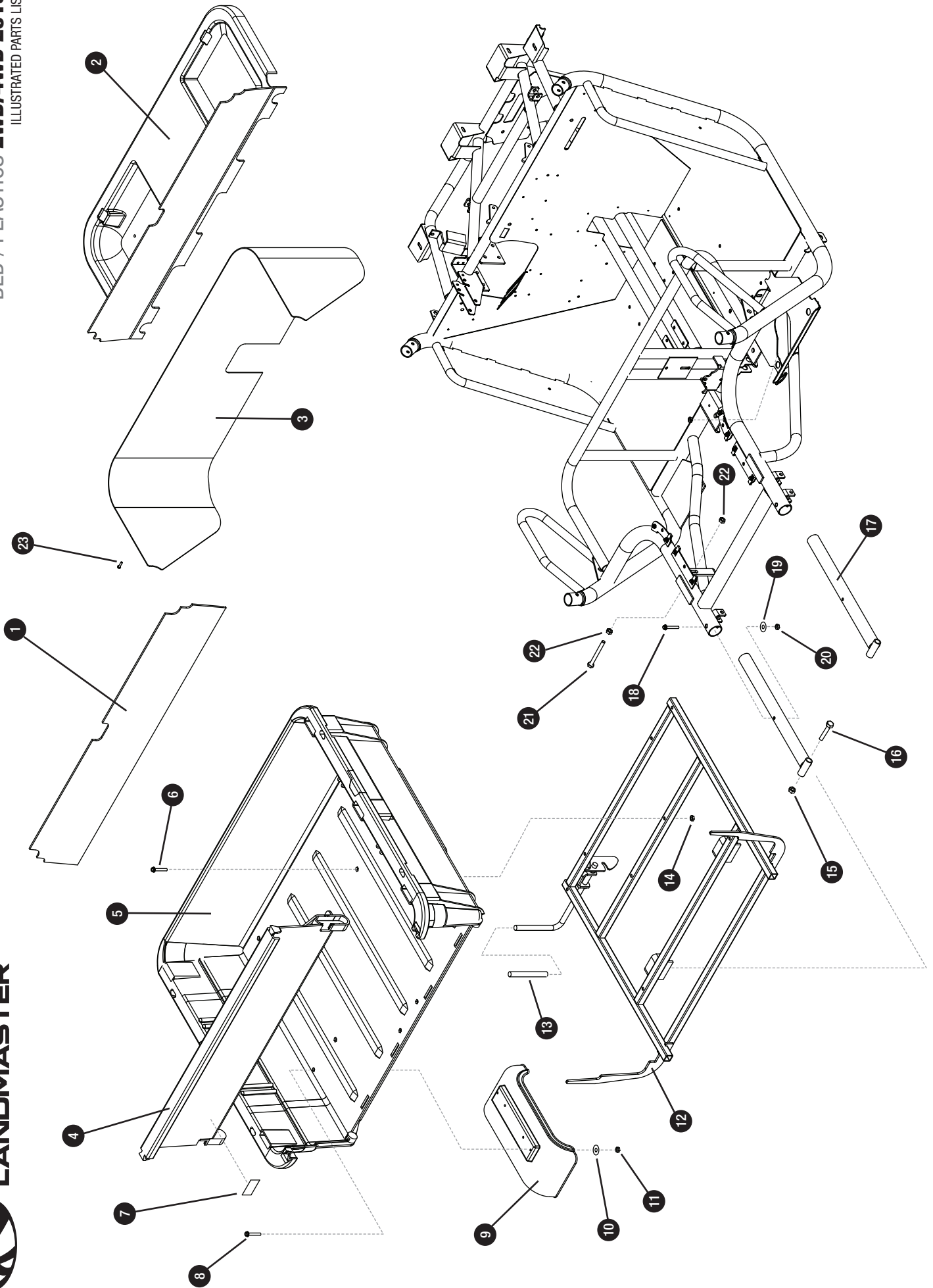


NOTE: parts denoted as left hand (LH) or right hand (RH) are from driver's point of view.

REFERENCE NUMBER	PART NUMBER	PART DESCRIPTION	QUANTITY REQUIRED
1	16222-2	WDMT, OH A PILLAR - BLK	1
2	16223-2	WDMT, OH B PILLAR- BLK	1
3	14786	SEATBELT, RETRACTABLE	2
4	16326	CUSHION, HEADREST	2
5	16325	CUSHION, SEAT BACK	1
6	16324	CUSHION, SEAT BOTTOM	1
7	16294-2	BRKT, SEAT HINGE	2
8	2-50087	BOLT, 1/4-20 X 1	4
9	2-50172	BOLT, 5/16IN X 2IN SOCKET HEAD	6
10	2-50702	WASHER, 5/16IN TUBE FIT (BENT)	6
11	2-50007	NUT, 5/16-18 NYLOCK	6
12	16679	SCREW, 1/4-20 X 1.75 FTPMS	9
13	15982	NUT, M12 X 1.75 FLANGE TOP LOCK	2
14	15829	BOLT, M12 X 1.75 X 25 FHCS	2
15	2-50721	WASHER, 1/2 USS FLAT	2



4WD UTILITY VEHICLE BARS / SEATS / BELTS



NOTE: parts denoted as left hand (LH) or right hand (RH) are from driver's point of view.

REFERENCE NUMBER	PART NUMBER	PART DESCRIPTION	QUANTITY REQUIRED
1	2-55013	KIT, SEATBACK SHIELD	1
2	16463	TRAY, UNDERSEAT STORAGE	1
3	16459	SURROUND, 2WD SEAT	2
4	2-18357	TAILGATE, UTV	1
5	2-18356	BED, POLY DUMP	1
6	2-50092	BOLT, 1/4IN X 2IN HH G5	4
7	2-70150	REFLECTOR, UTV RED	2
8	2-50087	BOLT, 1/4IN X 1IN	4
9	16458	FENDER, REAR	2
10	2-50717	WASHER, 1/4IN SAE FLAT	4
11	2-50001	NUT, 1/4-20 NYLOCK	4
12	16117-2	FRAME, BED - BLK	1
13	2-70241	TUBE, RUBBER HANDLE	1
14	2-50001	NUT, 1/4-20 NYLOCK	4
15	2-50015	NUT, 5/8-11 NYLOCK	2
16	2-50255	BOLT, 5/8IN X 4IN G8-PLATED	2
17	16122-2	HINGE EXTENSION - BLK	2
18	2-50172	BOLT, 5/16IN X 2IN SOCKET HEAD	2
19	2-50702	WASHER, 5/16IN TUBE FIT (BENT)	2
20	2-50007	NUT, 5/16-18 NYLOCK	2
21	2-50208	BOLT, 3/8IN X 2-1/2IN HEX HEAD G5	1
22	2-50013	NUT, 3/8 KEPS	2
23	16961	SCREW, #10 X 1/2IN T20 C-SUNK TEK-BLK	5
24	2-18413	BED BUMPER 1.5 INCH (RUBBER)	2



2499 S 600 E, suite 102  
Columbia City, IN 46725

Toll Free 800-643-7332  
Fax 800-399-1399  
[www.americanlandmaster.com](http://www.americanlandmaster.com)