



AMERICAN
LANDMASTER

OWNER MANUAL / SAFETY MANUAL

FULL SIZE / CREW CAB UTILITY VEHICLES

GAS POWERED MODELS (L4, L5, L5W, L7, L7X)



THE LATEST VERSIONS OF THE WIRING DIAGRAMS AND ILLUSTRATED
PARTS LISTS ARE ONLINE AT AMERICANLANDMASTER.COM

Table of Contents

| | | |
|---|--|--------------------------|
| Section 1 | Introduction / Features | pages 2-3 |
| | Your vehicle's model, VIN and serial number | see below |
| Section 2 | Safety | pages 4-13 |
| | Safety labels and locations | 5-7 |
| | Warnings: operation | 8-9 |
| | Warnings: maintenance | 10 |
| | Warnings: fuel, tires, vehicle care, batteries | 11 |
| | Responsible operation and rider safety | 12-13 |
| Section 3 | Operation | pages 14-19 |
| | Before you drive | 14-15 |
| | General operation: gas models | 16-17 |
| | Driving recommendations | 18-19 |
| Section 4 | Maintenance | pages 21-31 |
| | Replacement parts / maintenance schedule | 20 |
| | Maintenance: engine | 21-22 |
| | Maintenance: drivetrain | 22-27 |
| | Maintenance: chassis, steering & suspension | 28-29 |
| | Maintenance: brakes & tires | 30 |
| | Maintenance: vehicle care | 30 |
| | Maintenance: transportation & storage | 31 |
| | Maintenance: battery & electrical | 31 |
| Section 5 | Troubleshooting | pages 32-33 |
| Section 6 | Specifications | pages 34-38 |
| | L4 | 20 |
| | L5 | 21-22 |
| | L5w | 22-27 |
| | L7 | 28-29 |
| | L7x | 30 |
| Section 7 | Warranty | pages 36-39 |
| | Full Size UTV Warranty Statements (gas) | 36-38 |
| | Service and Warranty Contact Information | 39 |
| | UTV Setup and Pre-Delivery Checklist | Inside Back Cover |
| Pre Drive Inspection Checklist | | Inside Back Cover |

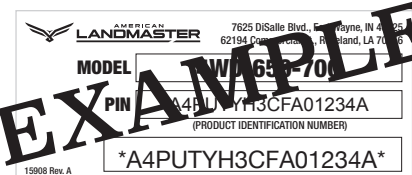
YOUR PRODUCT IDENTIFICATION NUMBER (PIN)
 Making sure your PIN is noted correctly greatly reduces any delays in getting help with parts, accessories or any warranty work.

MODEL:

17 CHARACTER PIN:

| | | | | | | | | | | | | | | | | | |
|-------------------------|--------------|--------------|--------------|--------------|--------|--------------|--------|--------|--------|--------|--------|--------|--------|--------|--------|--------|--------|
| A | 4 | P | | | | | | | | | | | | | | | |
| letter / digit / letter | letter/digit | letter/digit | letter/digit | letter/digit | letter | letter/digit | letter | letter | letter | letter | letter | letter | letter | letter | letter | letter | letter |

THE PIN PLATE IS LOCATED BELOW THE UTV STEERING WHEEL



American LandMaster welcomes you to its growing family of new product owners. This Utility Terrain Vehicle (UTV) has been designed with care and built by skilled workers using quality materials. Proper set-up, maintenance and safe operating practices will help you get years of satisfactory use from this vehicle.

PLEASE TAKE A FEW MOMENTS TO GET ACQUAINTED WITH YOUR VEHICLE BY READING THIS OWNERS' MANUAL.

- Before operating this vehicle, the owner, and each operator, must understand that this vehicle was not designed or manufactured to meet specifications for use on public roads, streets, highways and thoroughfares, unless equipped with the LSV package.
- The owner, operator(s) and passenger(s) must read and understand all the instructions for proper assembly and safe operation, as well as the instructions concerning the engine and all other portions of the vehicle as described and illustrated in this manual.
- This vehicle is **NOT** to be operated by anyone under 16 years of age.
- This vehicle is **NOT** a toy.
- Be sure to follow the recommended maintenance schedule and service your vehicle accordingly.



PREVENTATIVE MAINTENANCE IS EXTREMELY IMPORTANT TO THE SAFE OPERATION AND LONGEVITY OF YOUR VEHICLE.

- Inexperienced and first time drivers are urged to seek instruction from a dealer or qualified instructor before and during the initial use of this vehicle. It is also recommended to practice in a large open area to become familiar with the operation of the machine.

FOR MORE INFORMATION ON AMERICAN LANDMASTER AND OUR FULL PRODUCT OFFERING, VISIT OUR WEBSITE AT WWW.AMERICANLANDMASTER.COM.

For a detailed description of warranty coverage for your vehicle, refer to the Warranty section found in this Owners' Manual or go to www.americanlandmaster.com.

For a detailed description of the emissions warranty for your vehicle, refer to the Emissions Warranty section of this Owners' Manual or go to www.americanlandmaster.com.

CELL PHONE USE

The use of Mobile Communications Equipment has become increasingly important and prevalent in both personal and business affairs. Drivers must not compromise their own, or others safety when using such equipment. American LandMaster recommends against the use of any handheld device while driving this vehicle. We hope you will have a fun, safe experience with our products and thank you again for choosing an American LandMaster Utility Vehicle.

USING THIS MANUAL

- Prior to any vehicle operation it is absolutely essential that you read and comprehend each section in this manual to develop an understanding of your vehicle and for your safety. After reviewing this manual, store it in a dry and easily accessible place for future reference.
- This manual is designed to help familiarize you with safety, assembly, operation, adjustments, troubleshooting, and maintenance. Read this manual and follow the recommendations to help ensure safe and efficient operation.
- The information contained within this manual was current at the time of printing. Constant improvement in the design and quality of components may result in discrepancies between the actual vehicle and information presented in this manual.
- To view the most up to date manuals or to order a new Operator's or Parts Manual contact your authorized dealer or contact American LandMaster Customer Service at 800-643-7332 or visit us on the web at www.americanlandmaster.com.

This manual has been prepared to instruct you in the safe and responsible operation of your Utility Vehicle. Read and abide by all safety alert information about this vehicle. If you do not understand any part of this manual, contact your local dealer for additional information and clarification. As the operator of this piece of equipment, you are in complete control. Only you can prevent an accident from happening.

TERMINOLOGY

Right-hand and left-hand as used in this manual are determined by facing the direction the vehicle will travel while in use unless otherwise stated.

GETTING ACQUAINTED WITH YOUR UTILITY VEHICLE

This vehicle is designed exclusively for off-road use. It is not designed, properly equipped, or licensed to be safely operated on public streets and highways unless equipped with an Low Speed Vehicle (LSV) package, or as directed by local ordinances.

A vehicle configured as a Low Speed Vehicle (LSV) is street legal where allowed when properly licensed and plated. Although street legal, the LSV is not designed for, nor allowed on highways. Refer to your local ordinances regarding the use of Low Speed Vehicles in your area.

Unlike an ATV's one person "straddle saddle" seat, the Utility Terrain Vehicle is equipped with seat belts and a protective body structure. Two passengers can ride comfortably in this vehicle protected from splashing water and mud. The Overhead Brush Bar System mounted to the vehicle's frame provides protection against low hanging limbs and briars. The Overhead Brush Bar System also reduces the likelihood of a properly restrained occupant from being crushed as a result of a vehicle rollover.

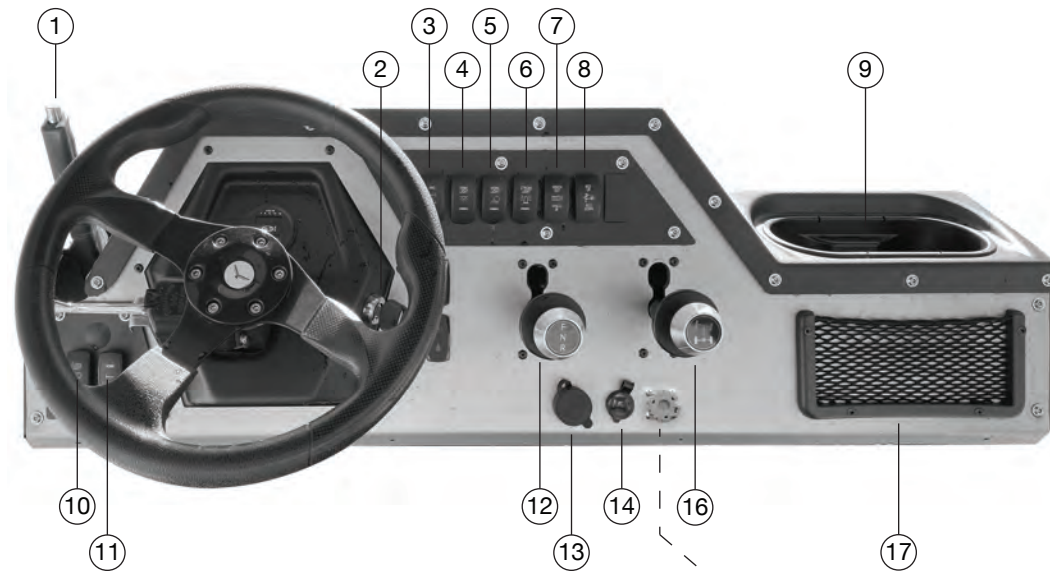
The Overhead Brush Bar System also provides mounting for a variety of accessories including windshields, canopy tops and weather enclosures. For a complete listing of available accessories, please contact your local dealer or visit our website at www.americanlandmaster.com.

The cargo bed on your vehicle has been designed to be versatile and durable for a variety of cargo carrying functions. A standard 2" receiver hitch makes towing convenient and easy.

Features / Locations



| | |
|----|-------------------------------|
| 1 | Front Receiver Hitch |
| 2 | Front Suspension |
| 3 | Ultra Guard Bumper |
| 4 | LED Headlights |
| 5 | Hood |
| 6 | Parking Brake |
| 7 | Optional Windshield Available |
| 8 | Optional Hardtop Available |
| 9 | 3 Point Seat Belt |
| 10 | Bed Latch Release Lever |
| 11 | Polyethylene Dump Bed |
| 12 | 2" Receiver Hitch |
| 13 | Rear Suspension |
| 14 | Side Splash Panel |



| | |
|----|------------------------|
| 1 | Parking Brake |
| 2 | Key Ignition |
| 3 | 4WD/2WD Switch |
| 4 | Dome Light |
| 5 | Work Light |
| 6 | Strobe Light |
| 7 | Winch Out / Winch In |
| 8 | Bed Up / Bed Down |
| 9 | Dash Cup Holder |
| 10 | Head Light / Light Bar |
| 11 | Horn |
| 12 | Gear Selector Lever |
| 13 | Optional USB |
| 14 | 12 V Accessory Outlet |
| 15 | Winch Remote |
| 16 | Differential Lock |
| 17 | Dash Storage Net |

NOTE: Fully equipped Dash shown. Actual features may vary based on model.

American LandMaster wants you to be satisfied with your new vehicle. If you do not understand any part of this manual or you're not satisfied with the service received, please take the following actions:

- Discuss the matter with your dealership service manager. Make sure they are aware of any problems so they can assist you.

- If you are still unsatisfied, please call American LandMaster customer service at 800-643-7332 or email us at feedback@americanlandmaster.com.



2499 S 600 E, suite 102
Columbia City, IN 46725

Toll Free 800-643-7332
Fax 800-399-1399

www.americanlandmaster.com

section 2 safety



IMPORTANT SAFETY INFORMATION

The following section has been prepared to instruct you in the safe and responsible operation of your utility vehicle. Read and abide by all safety alert information about this vehicle. If you do not understand any part of this section, contact your local dealer for additional information and clarification. As the operator of this piece of equipment, you are in complete control. Only you can prevent an accident from happening.



AGE OF OPERATOR:

This vehicle is not to be operated by anyone under 16 years of age.

ASSUMPTION OF RISK:

The owner or operator assumes all the risks incident to or arising out of the operation of this Utility Vehicle.

WARNINGS AND CAUTIONS



This is the safety alert symbol. When you see this symbol on your machine or in this manual, be alert to the potential for personal injury. Read and follow all instructions in this Manual, before attempting to operate this vehicle.



WARNING

Indicates a potential hazard that could result in severe personal injury or death



CAUTION

Indicates a potential hazard which may result in personal injury or damage to the machine.



NOTE

will alert you to key information or instructions.

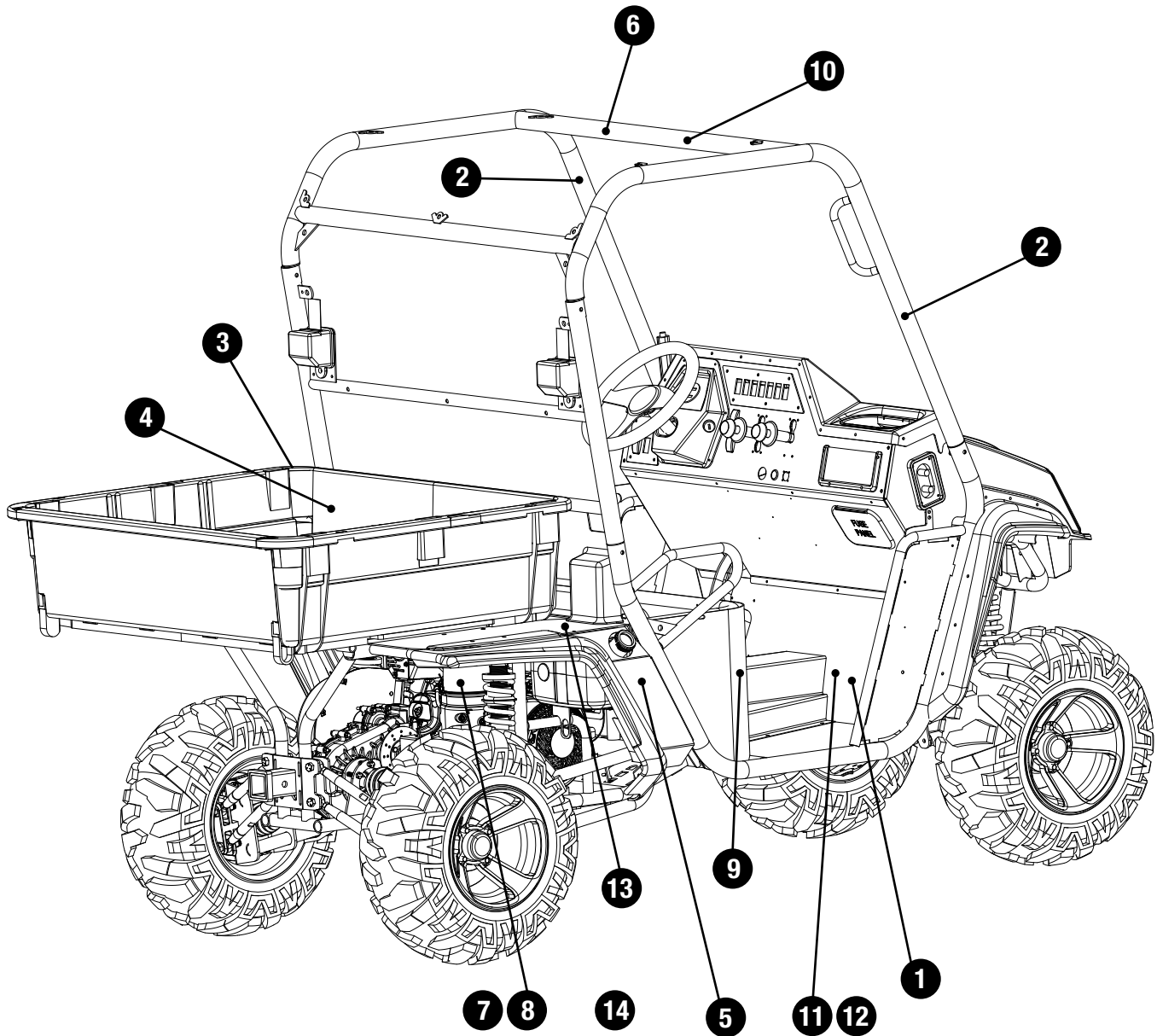
BEFORE OPERATING THIS VEHICLE

Please take a few moments to get well acquainted with your vehicle by reading this Owners' Manual.

- Before operating this vehicle, the owner, and each operator, must understand that this vehicle is designed to be an off-road vehicle and has not been or manufactured to meet specifications for use on public roads, streets, highways and thoroughfares unless equipped with the appropriate LSV package.
- The owner, operator(s) and passenger(s) must read and understand all the instructions for proper assembly and safe operation, as well as the instructions concerning the engine and all other portions of the vehicle as described and illustrated in this manual.
- This unit is not designed for children and should not be operated by anyone under 16 years of age.
- This vehicle is not a toy.
- Be sure to follow the recommended maintenance schedule and service your vehicle accordingly. Preventative maintenance is extremely important to the safe operation and longevity of your vehicle.
- Inexperienced and first time drivers are urged to seek instruction from a dealer or qualified instructor before and during the initial use of this vehicle. It is also recommended to practice in a large open area to become familiar with the operation of the machine.

SAFETY LABEL LOCATIONS

IT IS VERY IMPORTANT TO READ, UNDERSTAND, AND FOLLOW ALL INSTRUCTIONS AND WARNINGS LOCATED ON THE DECALS ON YOUR UTILITY VEHICLE.



SEE FOLLOWING PAGES FOR SAFETY LABEL DETAIL

IT IS VERY IMPORTANT TO READ, UNDERSTAND, AND FOLLOW ALL INSTRUCTIONS AND WARNINGS LOCATED ON THE DECALS ON YOUR UTILITY VEHICLE.

Label illustrations may not be actual size

1 **WARNING**



OBSERVE THE FOLLOWING INSTRUCTIONS

Failure to understand and follow Warnings and Instructions for the safe use and maintenance of this product may result in **Death or Injury!** This information is contained in the Warning Labels, Owner's Manual & Supplements, Safety Video, and Engine Manual supplied with this product. Make sure that you understand and follow all Warnings and understand and follow all Warnings and Instructions in this Instructions in this material.

- Always wear a D.O.T.-approved motorcycle helmet, eye protection, and protective clothing.
- Reduce speed and use caution on slopes and in sharp turns.
- This vehicle is not to be operated by anyone under 16 years of age.
- **Do NOT** operate the vehicle without the brush bars securely in place.
- Keep all covers and shields properly installed.
- Never ride after consuming alcohol, drugs, or other intoxicants.
- Throttle and Brake Controls must work properly and freely before starting the engine.
- Operator must be seated, safety belt must be fastened before operating the vehicle.
- Never operate at speeds too fast for your skills or the conditions. Never attempt jumps or other stunts.
- Check tire pressures before operating. Refer to Owner's Manual for proper operating pressure.
- This vehicle is not street legal and is intended for off-road use only.
- Keep arms and legs inside the vehicle at all times.

If you did not receive any of the material listed above, please call **800-643-7332** and request to have them sent to you at no charge.

UNDER 16 AGE

2-60057 A

5 **CAUTION** **PRECAUCION**

SHUT OFF FUEL VALVE
Always shut off fuel valve before transporting this vehicle.

APAGE LA VÁLVULA DE COMBUSTIBLE
Todo el tiempo apague la válvula de combustible antes de que transporte este vehículo.

2-60057 CS

4 **WARNING** **ADVERTENCIA**

NO RIDERS **NO SUBIR**

All occupants must be inside the vehicle and wearing the proper restraints and safety gear.

Todos los ocupantes deben estar adentro del vehículo usando equipo de seguridad y restricciones adecuadas.

2-60057 JS

3 **WARNING** **ADVERTENCIA**

LATCH DUMP BED
Driving with the cargo bed raised is hazardous. Always lower and latch bed before driving.

SEGURO DE LA CAJA DE VOLCAR
Manejar con la caja de carga levantada es peligroso. Todo el tiempo manténgala abajo y use el seguro de la caja cuando maneje.

2-60057 IS

1 **ADVERTENCIA**

OBSERVE LAS SIGUIENTES INSTRUCCIONES

El hecho de no comprender y seguir las Advertencias y Instrucciones para el uso seguro y el mantenimiento de este producto puede causar **¡MUERTE O LESIÓN!**. Esta información esta contenida en las Etiquetas de Advertencia, Manual de Dueño y Suplementos, Video de Seguridad, y el Manual del Motor proveidos con este producto. Asegúrese de comprender y seguir todas las advertencias e instrucciones suministradas.

- Siempre lleve puesto un casco de motocicleta aprobado por D.O.T., protección en los ojos, y ropa de protección.
- Reducir la velocidad y tenga cuidado en las pendientes y en curvas cerradas.
- Este vehículo no debe ser operado por ninguna persona menor de 16 años de edad.
- **NO opere** este vehículo sin las barras protectoras aseguradas en su lugar. Mantenga todos las cubiertas y protectores apropiadamente instalados.
- Nunca maneje después de consumir alcohol, drogas, u otros intoxicantes.
- Acelerador, y controles de frenos deben trabajar apropiada y libremente antes de encender el motor.
- El operador debe estar sentado, el cinturón de seguridad antes de operar el vehículo.
- Nunca opera a una. Nunca intente saltos o acrobacias. Sus habilidades o las condiciones.
- Checar inflación de llantas antes de operar. Consulte el Manual de Dueño para la presión adecuada de operación.
- Este vehículo no es legal en la calle y destinados a uso solamente afuera de carretera.
- Mantenga los brazos y piernas dentro del vehículo en todo momento.

Si Usted no recibió alguno de los materiales mencionados anteriormente, por favor llame al **800-643-7332** y solicite que se le envíen sin cargo.

MEJOR DE 16 EDAD




2-60057 AS

WARNING **ADVERTENCIA**



VEHICLE MAY ROLL

This vehicle will handle differently from any ordinary passenger car or truck. Sharp turns or abrupt maneuvers at high speeds may cause this vehicle to roll over or go out of control. Keep arms and legs inside the vehicle at all times. Read and understand Owner's Manual before operating this vehicle.

WARNING **ADVERTENCIA**

VEHICLE MAY ROLL

This vehicle will handle differently from any ordinary passenger car or truck. Sharp turns or abrupt maneuvers at high speeds may cause this vehicle to roll over or go out of control. Keep arms and legs inside the vehicle at all times. Read and understand Owner's Manual before operating this vehicle.

EL VEHÍCULO SE PUEDE VOLCAR

Este vehículo se maneja y se maneja diferente de cualquier otro carro o camión común de pasajeros. Curvas bruscas en alta velocidad puede causar una volcadura o pérdida del control. Mantenga los brazos y piernas dentro del vehículo en todo momento. Lea y comprenda el Manual de Dueño antes de operar este vehículo.

2 **EL VEHÍCULO SE PUEDE VOLCAR**

Este vehículo se maneja y se maneja diferente de cualquier otro carro o camión común de pasajeros. Curvas bruscas en alta velocidad puede causar una volcadura o pérdida del control. Mantenga los brazos y piernas dentro del vehículo en todo momento. Lea y comprenda el Manual de Dueño antes de operar este vehículo.

2-60057 BS

| | |
|---|--|
| <p>6</p> <p style="text-align: center;">⚠ WARNING</p> <p style="text-align: center;">ALWAYS WEAR SEATBELT</p> <p>Seatbelt must be properly fastened and adjusted for each occupant prior to operating the vehicle; See Operator's Safety Manual.</p> | <p style="text-align: center;">⚠ ADVERTENCIA</p> <p style="text-align: center;">SIEMPRE USE CINTURON DE SEGURIDAD</p> <p>El cinturón de seguridad debe ser apropiadamente atado y ajustado para cada ocupante antes de la operación del vehículo; Ver Manual de Dueño.</p> |
|---|--|

2-60057 ES

| | |
|---|--|
| <p>7</p> <p style="text-align: center;">⚠ WARNING</p> <p style="text-align: center;">HOT SURFACES</p> <p>Surfaces around the engine and exhaust can be extremely hot. Allow surfaces to cool before servicing.</p> | <p style="text-align: center;">⚠ ADVERTENCIA</p> <p style="text-align: center;">SUPERFICIES CALIENTES</p> <p>Las superficies alrededor del motor y el escape pueden estar extremadamente calientes. Permita que las superficies se enfríen antes de realizar el mantenimiento.</p> |
|---|--|

2-60057 FS

| | |
|---|---|
| <p>8</p> <p style="text-align: center;">⚠ WARNING</p> <p style="text-align: center;">EXHAUST GAS HARMFUL</p> <p>Engine exhaust from this product contains chemicals, known in certain quantities to cause cancer, birth defects, or other reproductive harm.</p> | <p style="text-align: center;">⚠ ADVERTENCIA</p> <p style="text-align: center;">GASES DE ESCAPE NOCIVOS</p> <p>Gases de motor de este producto contienen productos químicos, conocidos que en determinadas cantidades pueden causar cáncer, defectos de nacimiento u otros daños reproductivos.</p> |
|---|---|

2-60057 GS

| | |
|--|---|
| <p>9</p> <p style="text-align: center;">⚠ CAUTION</p> <p style="text-align: center;">USE ONLY MID-GRADE UNLEADED GASOLINE (87 – 93 OCTANE)</p> <p>This engine is designed to run on automotive gasoline. NEVER use E-15 or E-85 fuel (diesel) or blends with an Ethanol content in excess of 10%. Doing so will cause damage to the engine and void the warranty.</p> | <p style="text-align: center;">⚠ PRECAUCION</p> <p style="text-align: center;">USE SOLO GASOLINA DE MEDIO-GRADO SIN PLOMO (OCTANO 87-93)</p> <p>Este motor fue diseñado para funcionar con gasolina de automovil con mezclas de etanol permitidos de 0% a 10%.</p> <p>El intentar utilizar otro tipo del que se requiere, causara daños al motor y no sera valida la garantia del fabricante.</p> |
|--|---|

2-60057 HS

| | |
|--|--|
| <p>10</p> <p style="text-align: center;">⚠ WARNING</p> <p style="text-align: center;">WEAR A HELMET</p> <p>Always wear a helmet when riding this vehicle.</p> | <p style="text-align: center;">⚠ ADVERTENCIA</p> <p style="text-align: center;">USAR UN CASCO</p> <p>Siempre use un casco al montar este vehículo.</p> |
|--|--|

14964

14964S

| | |
|--|--|
| <p>11</p> <p style="text-align: center;">⚠ CAUTION</p> <p style="text-align: center;">DO NOT SHIFT WHILE IN MOTION</p> <p>F To change gears, stop the vehicle. Shift with the engine at idle.</p> <p>N Shifting gears with the engine speed above idle or with the vehicle in motion may cause transmission damage.</p> | <p style="text-align: center;">⚠ PRECAUCION</p> <p style="text-align: center;">NO CAMBIE DE VELOCIDAD MIENTRAS ESTE EN MOVIMIENTO</p> <p>F Para cambio de engranes, detenga el vehículo, cambie con el motor desacelerado.</p> <p>N Cambio de engranes con el motor acelerado por encima de lo normal o con el vehículo en movimiento puede causar daños a la transmisión.</p> |
|--|--|

11330-Q

11330-Q

⚠ WARNING

12 Bring engine to an idle before selecting 4WD mode. Sudden engagement under power may damage drive train. Failure to do so may void warranty.

| | |
|---|--|
| <p style="text-align: center;">⚠ WARNING</p> <p style="text-align: center;">TURN OFF ENGINE</p> <p>Always turn off engine before refueling. Refuel in a well ventilated area. Keep away from flame or sparks.</p> | <p style="text-align: center;">⚠ ADVERTENCIA</p> <p style="text-align: center;">APAGE EL MOTOR</p> <p>Todo el tiempo APAGE el motor antes de poner combustibles. Ponga combustible en un área bien ventilada. Aleje de las llamas o chispas.</p> |
|---|--|

2-60057 DS


| | |
|---|---|
| <p>14</p> <p style="text-align: center;">⚠ WARNING</p> <p style="text-align: center;">ALWAYS USE SHIELDS</p> <p>Shields must be installed and properly fastened prior to operating vehicle. See Operator's Safety Manual</p> | <p style="text-align: center;">⚠ ADVERTENCIA</p> <p style="text-align: center;">SIEMPRE USE ESCUDO TERMICO</p> <p>Escudo termico deben ser instalados y correctamente sujetos antes de operar el vehículo. Vea el Manual de Seguridad del Operador.</p> |
|---|---|

16857

SAFE OPERATING PROCEDURES

Your Utility Vehicle has been designed with many built-in safety features. However, no one should operate this vehicle before carefully reading this Operator's Manual. Also read all instructions noted on the safety decals.

WARNING

OPERATION 

- Be familiar with all functions of this vehicle
- Do not allow anyone to operate this vehicle who has not fully read and comprehended this manual and who has not been properly trained in the safe operation of this vehicle.
- Do not operate a vehicle with damaged or defective parts. A damaged vehicle should be evaluated and repaired by an authorized service center and defective parts replaced before putting vehicle back in to service
- Operator must always use both hands on the steering wheel
- No riders allowed except in factor
- Operate this vehicle from the driver's seat only.
- Do not leave this vehicle unattended with engine running.
- Do not dismount a moving vehicle as serious injury or death could occur.
- NEVER operate vehicle with engine shields or guards removed.
- Do not touch engine, exhaust pipe, shields and/or muffler. Surfaces on or around the engine can be extremely hot.
- Wear snug-fitting clothing to avoid entanglement with moving parts .
- Long hair, loose clothes, or jewelry can get caught in moving parts below and behind the seat or surrounding environment.
 - a. Remove or tie back anything loose that can reach below and behind the seat before riding.
- Always be aware of and avoid tree limbs and brush that have a potential of hitting and/or poking individuals riding the vehicle. Serious body harm could result.
- Avoid sudden stops, starts, and turns.
- Always operate your vehicle at a safe speed that will allow you to maintain control.
- Always wear seatbelt - seatbelt must be properly fastened and adjusted for each occupant prior to operating this vehicle.
- Do not exceed total payload capacity of this vehicle.

WARNING

OPERATION 

- Do not pull a trailer or implement exceeding the specified towing capacity or loss of control may result.
- Do not attach an implement, trailer or other device to the hitch that will produce negative tongue weight.
- Follow all towing instructions in this manual when transporting the UTV behind another vehicle.
- Do not use the vehicle as an anchor device
- Reduce speed when loaded with cargo. Heavy loads take longer to stop and may affect vehicle handling.
- Beware, tow ropes, cables and chains can break when pulling another vehicle or object causing serious injury or death to anyone in line with the whipping action created when they break. Never jerk when pulling, always ease into a pull gently. Always stay clear of the tow line. Never be in line with the tow line.
- Reduce speed and payload on hilly, rough, wet, slick or unstable ground.
- Do not exceed the rated capacity of the cargo bed (see specifications).
- Do not load the Overhead Brush Bar System with heavy equipment Rollover could result from such loading.
- Always avoid rollovers. The overhead Brush Bar System is certified ROPS (Roll Over Protection System) on select models.
- Do not operate this vehicle on highways, public roads, or where it may be a hazard to faster moving traffic.
- Never attempt wheelies, jumps, or other stunts. Never drive recklessly. Always operate your vehicle at a safe speed that will allow you to maintain control.
- Never use vehicle for racing and never modify the engine to exceed the vehicle rated maximum speed.
- Always make sure the vehicle pathway is clear of all objects when backing up. Know location of personnel around vehicle and especially location of small children. Take extra precautions when rear view is hindered by cargo.
- Always park on level ground, stop engine, set parking brake and remove ignition key before leaving the vehicle. Chock tires if condition warrants.
- Use extreme caution when cresting hills or when visibility is limited Proceed slowly until you are sure trail conditions immediately ahead are safe.
- Keep front wheels straight when cresting hills or going over bumps.
- Do not stop, start suddenly or over accelerate on hills. Loss of control and rollover could result.



! WARNING




- Use extreme caution when descending hills or running on loose slippery surfaces. Towing, braking, and traction are greatly diminished
- Do not operate vehicle on 15 degree (26% grade) slopes or steeper
- Avoid changing direction or making sharp steering corrections on slopes or rollover may occur.
- If this vehicle begins to tip when crossing a slope, turn the front wheels downhill to regain stability and control.
- Never allow vehicle to coast or free wheel in neutral or loss of control may result.
- When crossing a slope on soft terrain, turn the front wheels slightly uphill and maintain a constant speed to maintain a straight line of travel.
- When descending hills or slopes apply steady pressure to the foot brake to avoid potential of freewheeling or runaway.
- If your vehicle loses power and stops while climbing a hill, immediately engage the foot brake and back slowly down the hill maintaining a straight downhill line of travel. Do not attempt to turn the vehicle sideways on the hill or a rollover could result.
- When traveling at night always use your headlights and reduce speed according to visibility, trail, and terrain conditions.
- Avoid water crossings when possible and never cross a body of water where depth is unknown. Loss of power will occur if the drive belt becomes submerged or wet. Unnecessary crossing of streams and waterways erodes shore line and damages water-born habitat. If you must cross, do it at a point where banks are not steep and proceed at a slow and steady speed.
- Front bumper and brush guards are not designed as push bars. Do not attempt to push other vehicles or implements or damage may result.
- Do not shift transaxle unless this vehicle is fully stopped and the engine is at idle or damage may occur.
- This vehicle is not designed for use on rental tracks of any kind.
- The safe operation of this vehicle is dependent upon the operator's ability to exercise proper judgment.
 - a. Operator and passenger must not be too small or too large for controlled operation.
 - b. Operator and passenger must be of sufficient age, understanding, mental capacity, and physical capacity to safely operate and ride in the vehicle.
 - c. Vehicle should only be operated after mature, supervised instruction and sufficient practice in an un-congested ar
- NEVER start the engine without checking to see that the throttle control is in idle position.
- ALWAYS use extreme caution when starting the engine
 - a. Hot engine, muffler, shield, or drive components can burn on contact.

! WARNING



- NEVER operate the machine while under the influence of alcohol, drugs, or medication of any kind.
 - a. Such operation is dangerous to yourself and/or others
- NEVER use hand held electronic devices while driving this vehicle
 - a. Driving while distracted can result in loss of vehicle control, accident and injury.
- Wet, slippery, rough, or sloped terrain is potentially dangerous and may result in injury if proper caution is not observed
 - a. ALWAYS SLOW DOWN
 - b. Operator must use mature judgment, skill, and experience to choose a speed suitable for terrain and riding conditions in protecting operator, passenger, and/or any bystanders
 - c. Operator must use mature judgment, skill and experience in choosing suitable terrain for individual operational capabilities.
- ALWAYS SLOW DOWN when turning.
 - a. This vehicle is not a passenger car. High-speed turning and failure to operate this vehicle correctly may cause loss of control, vehicle rollover and/or possible death or injury to the vehicle occupant(s).
 - b. Turning on a slope increases the risk of rollover.
 - c. Practice driving in a safe open area to develop a feel for the vehicles performance and handling characteristics, size and weight.
- When turning on pavement, loose gravel, or similar surfaces, there is an increased risk in loss of control. **** ALWAYS SLOW DOWN! ****
- Operating the vehicle in conditions where water, mud, snow, dirt, sand, or other debris can get into the throttle cable conduit and/or on the throttle mechanism may cause binding of the cable and/or the throttle mechanism.
 - a. This may result in the throttle sticking which can cause the engine to continue to run and result in loss of control.
- STOP the vehicle and back slowly down any hill that the vehicle lacks the power or traction to climb. Do NOT turn across the slope or try to turn around.
 - a. Turning on a slope increases the risk of rollover.
 - b. Control the descent speed with the brake (left foot pedal).
 - c. Re-applying the throttle when facing up a steep hill increases the risk of the front tires leaving the ground and the vehicle over-turning.
- STOP the engine if the machine makes unusual noises or vibrations.
 - a. Check the vehicle for damage.
 - b. Excessive noise or vibration is a sign of loose or worn parts.
 - c. Do not attempt to use the vehicle until it has been serviced to correct the issue
- Secure all cargo and loads with proper tie-downs.
- Always put the vehicle in neutral and set the parking brake when unattended
-  The vehicle is NOT to be operated by anyone under 16 years of age
-  Keep hands, feet, and all body parts in the vehicle at all times.

! WARNING

MAINTENANCE 

- Never modify any parts on the vehicle without authorization. Unauthorized modifications will void warranty to all parts directly and indirectly affected by the modification.
- Support this vehicle securely before working beneath. Chock the wheels to prevent the vehicle from rolling.
- Assembly, maintenance, and/or repair of this vehicle should only be performed by designated dealers or authorized small engine centers (for engine repairs) so that no unsafe conditions or modifications are made.
- This vehicle may have been supplied to you completely assembled. To prevent injury or death read and follow the assembly instructions to make sure the machine was assembled properly.
- NEVER adjust, repair, or clean the vehicle while it is in motion or with the engine running.
- All screws, nuts, and bolts must be properly tightened to make sure the vehicle is in safe operating condition.
- Prevailing-torque type locknuts must be replaced with new after the old locknuts have been removed.
 - a. Replace with the same type of locknut to make sure they function properly. Refer to the Owners Manual / Parts Guide maintenance section for more information on locknuts.
- Vehicle modification or removal of original equipment or safety decals can render the machine unsafe for operation.
- Keep all guards and shields in place at all times.
 - a. Prevent accidental contact by the operator or service personnel while the machine is running.
 - b. The guards over the brake, clutch or torque converter, axle and drive sprockets also help prevent mud and debris from coming in contact with those items.
- NEVER tamper with, alter, or change the vehicle's engine governor settings.
 - a. The governor, as set by the engine manufacturer, limits maximum engine RPM.
 - b. Excessive engine speed is potentially dangerous to operator, passengers, bystanders, and engine.
 - c. Heat shields must be in place to maintain proper temperatures and to avoid burns.
- Make any repairs or adjustments to the vehicle only when the engine is off and the vehicle is stopped. The spark plug wire MUST be disconnected and kept away from the spark plug AND the negative (-) battery cable disconnected from the battery to prevent accidental starting.
 - a. When working on, around, or restarting the engine, use extreme caution to avoid contact with the muffler, cylinder head, engine, shield, or any potentially hot area on or around the engine.
 - b. Ensure that all guards and shields are in place prior to starting the engine.
- Brush Bars assembled to this vehicle are for limited brush protection and to reduce the likelihood of a properly restrained occupant from being crushed as a result of a vehicle roll-over fasteners per the vehicle maintenance schedule should be performed.
- **DO NOT** disconnect the negative battery cable with engine running. This may damage the Electronic Control Unit (ECU).

! WARNING

MAINTENANCE 

- NEVER place hands, feet, or any body parts or clothing near the engine, wheels, and other rotating parts of the vehicle while riding or running the engine.
 - a. Use caution even after the engine has been running, since the engine, shields, and other drive components may be extremely hot.
- DO NOT touch engine, exhaust pipe, shields, or muffler. Allow surfaces to cool before servicing.



! WARNING



SAFETY 

- NEVER start the engine without the operator properly seated and the restraint system properly adjusted and secured with the brake applied and the vehicle in neutral (if equipped).
- Be sure the passenger restraint system (i.e. Seat Belt) is properly adjusted and fastened at all times during operation.
 - a. If the passenger restraint system is not properly used by the operator and/or passenger, loss of control and possible personal injury and/or vehicle damage may occur.
- Safety nets must be fastened at all times during operation.
 - a. Unsecured nets can become an entanglement hazard.
- When there is no passenger in the vehicle, the passenger seatbelt must be securely fastened within the vehicle.
 - a. If the passenger restraint system is not properly used by the operator and/or passenger, loss of control and possible personal injury and/or vehicle damage may occur.
- Operator and any passengers MUST wear a properly fitting motorcycle helmet approved by agencies such as the Department of Transportation (DOT), Safety Helmet Council of America (SHCA), or Snell Memorial Foundation (SNELL).
 - a. Most accident fatalities are due to head injuries.
 - b. Operator (and any passenger) should also wear face shields or goggles, boots, gloves and other appropriate protective clothing.
- Exhaust fumes are toxic.
 - a. California Proposition 65 WARNING: Gasoline engine exhaust from this machine contains chemicals known to the State of California to cause cancer, birth defects, or other reproductive harm. The engine exhaust contains carbon monoxide, which is a tasteless, odorless, poisonous gas.
 - b. NEVER operate this machine indoors or in an enclosed area without adequate ventilation.
- ✓ Safety decals must be replaced if they become unreadable or detached from the vehicle.
 - a. If decals are unreadable or missing, warning of potential hazards or safety requirements may be lacking.
- ✓ Read and keep all supplied printed material.
 - a. Supplements to this Operator/Safety Manual contain additional information relative to your specific vehicle model. It is important to keep all of these documents for reference.

! WARNING



- Vehicle must be stored where gasoline fumes will not reach an open flame, spark, or other source of ignition.
 - a. For long-term storage, fuel tank should be drained in an open, cool area.
 - b. Engine must be allowed to cool before storage in any enclosure.
 - c. NEVER store the Utility Vehicle in close proximity to appliances such as hot water heaters or furnaces.
 - Check fuel supply before each use.
 - a. NEVER fill fuel tank while the engine is running or hot.
 - b. DO NOT overfill tank
 - c. ALWAYS allow at least ½” of expansion space at the top of tank.
 - d. There should not be any fuel in the filler neck.
 - e. Replace cap tightly to prevent a fuel spillage fire hazard.
- NOTE: Always use an original gas cap or OEM (Original Equipment Manufacturer) replacement
- f. NEVER fill fuel tank while the vehicle is inside a building.
 - g. After filling the tank, move the vehicle at least ten feet before attempting to start the engine.

-  • NEVER use E-15 or E-85 fuel or blends with Ethanol content in excess of 10% Ethanol blends in excess of 10% will cause damage to the engine and void manufacturer warranty.
 - a. Use regular unleaded 89 octane gasoline with up to a 10% ethanol blend.
-  • This engine supplied with this Utility Vehicle is NOT designed for Flex Fuel operation.

- When refueling use a (UL) approved non-metallic container that has no screen or filter. Set the container on the ground before fueling to eliminate static discharge and do not use methanol or ethanol fuels
- Do not smoke or use electrical devices including cell phones while refueling.

! WARNING



- Always check wheel lug nut torque values two hours after initial operation and two hours after each tire repair and/or replacement Routinely check lug nut torque valves every 100 hours of operation
- Check tire pressure before each use.
 - a. Prior to operating the vehicle check and adjust tire pressure to the proper operating pressure as indicated on the sidewall of each tire or in the Owners’ Manual. A tire pressure gauge is required to obtain accurate readings.

! WARNING



- Washing or operating the vehicle in freezing temperatures can result in water freezing in the throttle cable conduit and/or on the throttle mechanism.
 - a. This may result in the throttle sticking which can cause the engine to continue to run and result in loss of control
- Keep the engine free of dirt and debris, especially in the throttle linkage area.

! WARNING



- Battery fumes are explosive. A spark will ignite battery fumes. Wear a face shield when charging or jumping a battery. Follow all battery safety rules outlined in this manual.
- Avoid battery acid spills. Do not get battery acid on eyes, face, or other body parts. Flush eyes and other body parts immediately with water for at least 15 minutes if battery acid has gotten on them

! CAUTION - TRANSPORTING

When transporting any utility vehicle with a windshield or roof installed do NOT exceed 55 mph.

! CAUTION - LOW OIL

This utility vehicle may be equipped with a Low Oil Indicator Light. This light will come on when the key is turned to the “on” position, and then go off after the engine is started. While operating the vehicle, if the oil light becomes illuminated, immediately turn the key to the “off” position to stop the engine.

! CAUTION - EFI

Electronic Fuel Injection (EFI) is an electronically-controlled fuel management system which is monitored by an Electronic Control Unit (ECU). Utility vehicles with EFI are equipped with a Malfunction Indicator Light (MIL). This light will illuminate when the key is turned to the “on” position and then go off after the vehicle is started. If problems or faults are detected, this light will illuminate while the engine is running. Servicing by an authorized dealer is necessary.

**! NOTICE - HIGH ALTITUDE USE
CARBURETED MODELS ONLY**



Continual operation of your vehicle in altitudes in excess of 5000 feet, will require the installation of a high altitude jet kit. This service should be performed by an authorized service center. Please refer to your engine owner manual or call American LandMaster customer service at 800-643-7332

ARE YOU READY TO RIDE? SOME WORDS ABOUT RESPONSIBLE OPERATION AND RIDER SAFETY

The following pages present important information and recommendations to help you operate your vehicle responsibly and safely. Forming good habits and developing driving skills is an ongoing process. Even if you are an experienced driver, take time to become familiar with the controls, handling characteristics, capabilities, size and weight of your vehicle. Please read through these pages thoroughly.

Qualifications for Utility Vehicle (UTV) Users

This vehicle is restricted to use by operator and passenger with a minimum age of sixteen (16) years as indicated on the vehicle and vehicle specific literature. UTV's are intended for use by operators who meet the physical and cognitive capabilities set out by the manufacturer in this manual and in the material provided with the vehicle.

Off-Road Use Only:

Your UTV and its tires are designed and manufactured for off-road use only and not for use on paved surfaces. Driving on paved surfaces can affect the handling, control, and cause excessive wear to your tires.

When driving off-road, also remember to always obey local off-road driving laws and regulations. Obtain permission to drive on private property. Avoid posted areas and obey "NO TRESPASSING" signs.

Unless equipped for such, you should never drive your vehicle on public streets, roads or highways, even if they are not paved. Drivers of street vehicles may have difficulty seeing and avoiding you, which could lead to a collision.

CONSUMER RESPONSIBILITY FOR SAFE USE AND MAINTENANCE OF A UTV

1. **UTV's shall not be modified from the manufacturer's original design and configuration.**
2. **UTV's shall not be used to perform racing, stunt riding, jumps, spinouts, donuts, or other maneuvers as they may cause loss of control. As such, these activities are likely to result in possible injury to the operator, passenger, bystanders, or all.**
3. **Prior to each use, the operator shall perform the pre-operational checks specified by the manufacturer, and further verify:**
 - a. Smooth throttle operation and positive return of the throttle linkage to a closed throttle position when released;
 - b. That the throttle cable and linkages operate properly and the throttle cable or other linkages are adjusted properly;
 - c. That the steering mechanism(s) is adjusted and operates smoothly;
 - d. That the engine stop switch or keyswitch is properly functioning;
 - e. That all guards and shields originally supplied by the manufacturer are in proper place in serviceable condition;
 - f. That engine idle speed is below the point of clutch or torque converter engagement;
 - g. That the gas tank is in good condition and the proper gas cap is fastened securely;
 - h. That the braking system is functioning properly;
 - i. That all safety labels are in place, legible and understood;
 - j. That any and all guards, torque converter covers, or other covers or guards supplied by the manufacturer are in place and in serviceable condition;
 - k. That tires are in good condition, inflated properly, and have sufficient tread remaining; and
 - l. That all fasteners are in place and tightened securely.
4. **UTV engines shall not be started unless the operator is seated and restrained in proper position for vehicle operation and the brake is fully engaged and locked with the park brake mechanism.**
5. **Long hair, loose clothes, or jewelry can get caught in moving parts below the seat or surrounding environment. Remove or tie back anything loose that can reach below or behind the seat before riding.**
6. **UTV's shall only be fueled by personnel knowledgeable with regard to proper fuel selection and fueling techniques.**
7. **UTV operators and passengers shall adhere to all manufacturer's recommendations and instructions, as well as comply with all laws and ordinances, and the following:**
 - a. Operators shall stay seated with both hands on the steering wheel and both feet in the vehicle at all times, whether moving or stationary, unless the vehicle is stopped completely and the engine has been shut off.
 - b. Passengers shall remain seated with arms and legs inside the vehicle at all times during operation.
 - c. Shall observe minimum age restrictions.
 - d. Shall not allow smoking in the vehicle.
 - e. Persons under the influence of drugs, alcohol, or intoxicants shall not supervise, operate, or ride in a UTV.
 - g. UTV's shall operate only on a surface or terrain recommended by the UTV's manufacturer.
 - h. UTV's shall not be operated on roads, streets, highways, or any other location where road vehicles are intended to travel.

(cont. next page)

CONSUMER RESPONSIBILITY FOR SAFE USE AND MAINTENANCE OF A UTV (cont.)

- 8. Persons with the following conditions shall not ride in or operate a UTV:**
 - a. Those with heart conditions
 - b. Pregnant women
 - c. Persons with head, back, or neck ailments, or prior surgeries to those areas of the body.
 - d. Persons with any mental or physical conditions, which may make them susceptible to injury or impair their physical dexterity or mental capabilities to recognize, understand, and perform all of the safety instructions, and be able to assume the hazards inherent in motor vehicle use.
- 9. No operator or other person shall contact any portion of the engine, wheels, or drive train for any purpose including maintenance until the engine has been turned off and allowed to cool, and the UTV is in a stable and stationary position.**
- 10. Passenger restraints must be used in accordance with, and limited to, the manufacturer's guidelines.**
- 11. UTV components shall be maintained and repaired in accordance with the manufacturer's specifications and utilizing only the manufacturer's authorized replacement parts with installation performed by designated dealers or other skilled persons.**
- 12. Control Speed.**

Driving at excessive speeds increases the likelihood of an accident. In choosing an appropriate speed, you must consider the capability of your vehicle, the terrain, visibility, and other operating conditions, in addition to the skill and experience of the driver.
- 13. Use of this Vehicle on Unfamiliar or Rough Terrain**
 - a. Failure to use extra care when operating this vehicle on unfamiliar terrain could result in the unit overturning or going out of control. Go slowly and use extreme caution when operating on unfamiliar terrain. Always be alert to changing terrain conditions when operating the vehicle.
 - b. Before driving in an unfamiliar area, always check the terrain thoroughly. Don't drive fast on unfamiliar terrain or when visibility is limited (it is often difficult to react to hidden obstructions like rocks, bumps, or holes).
 - c. Never drive past the limit of visibility. Maintain a safe distance between your vehicle and other off-road vehicles. Always exercise caution and use extreme care on rough, slippery and loose terrain.
- 14. Do not perform stunts**
 - a. Attempting wheelies, jumps, and other stunts increase the chances of an accident, including an overturn. Never attempt stunt riding of any type and ride responsibly. Don't try to show off.
 - b. Operating this vehicle without your seat belt could cause you to be thrown from the vehicle, causing serious injury or death.

WARNING

Always perform a pre-ride inspection of the vehicle using the checklist provided in this manual.

section 3 operation

See back cover for a pre-ride checklist

WARNING - BEFORE YOU DRIVE

1. **Always perform a pre-ride inspection of the vehicle using the checklist provided on the back cover of this manual.**
2. **Check tire pressure before each use.**
 - a. Prior to operating the vehicle check and adjust tire pressure to the proper operating pressure as indicated on the sidewall of each tire or in the Specifications section of the Operator's Safety Manual. A "low pressure" tire gauge is required to obtain accurate readings.
3. **Check fuel supply before each use.**
 - a. NEVER fill fuel tank while the engine is running or hot.
 - b. DO NOT overfill tank.
 - c. ALWAYS allow at least ½" of expansion space at the top of tank.
 - d. There should not be any fuel in the filler neck.
 - e. Replace cap tightly to prevent a fuel spillage fire hazard.

NOTE: Always use an original gas cap or OEM (Original Equipment Manufacturer) replacement.

 - f. NEVER fill fuel tank while the vehicle is inside a building.
 - g. After filling the tank, ensure that no fuel has spilled around the vehicle. If there is spilled fuel present, move the vehicle at least ten feet before attempting to start the engine.
4. **NEVER start the engine without the operator properly seated and the restraint system properly adjusted and secured with the brake applied and the vehicle in neutral.**
5. **Be sure the passenger restraint system (i.e. Seat Belt) is properly adjusted and fastened at all times during operation.**
 - a. **If the passenger restraint system is not properly used by the operator and/or passenger, loss of control and possible personal injury and/or vehicle damage may occur.**
6. **When there is no passenger in the vehicle, the passenger seatbelt must be securely fastened within the vehicle.**
 - a. If the passenger restraint system is not properly used by the operator and/or passenger, loss of control and possible personal injury and/or vehicle damage may occur.
7. **Keep the engine free of dirt and debris, especially in the throttle linkage area.**
8. **NEVER start the engine without checking to see that the throttle control is in idle position.**
9. **ALWAYS use extreme caution when starting the engine.**
 - a. Hot engine, muffler, shields, or drive components can burn on contact.
10. **NEVER operate the machine while under the influence of alcohol, drugs, or medication of any kind.**
 - a. Such operation is dangerous to yourself and/or others.
11. **NEVER use hand held electronic devices or items that can distract from safe driving practices.**
 - a. Driving while distracted can result in loss of vehicle control, accident and injury.
12. **Long hair, loose clothes, or jewelry can get caught in moving parts below and behind the seat or surrounding environment.**
 - a. Remove or tie back anything loose that can reach below and behind the seat before riding.



WARNING - WHILE OPERATING THIS VEHICLE



1. **NEVER place hands, feet, hair or any body parts or clothing near the engine, wheels, and other rotating parts of the vehicle while riding or running the engine.**
 - a. Use caution in performing required maintenance on or near operating engine.
 - b. Use caution after the engine has been running, since the engine and other drive components may be extremely hot
2. **Wet, slippery, rough, or sloped terrain is potentially dangerous and may result in injury if proper caution is not observed.**
 - a. ALWAYS SLOW DOWN
 - b. Operator must use mature judgment, skill, and experience to choose a speed suitable for terrain and riding conditions in protecting operator, passenger, and/or any bystanders.
 - c. Operator must use mature judgment, skill and experience in choosing suitable terrain for individual operational capabilities.
3. **ALWAYS SLOW DOWN when turning.**
 - a. This vehicle is not a passenger car. High-speed turning and failure to operate this vehicle correctly may cause loss of control, vehicle rollover and/or possible death or injury to the vehicle occupant(s).
 - b. Turning on a slope increases the risk of rollover.
 - c. Practice driving in a safe open area to develop a feel for the vehicles performance and handling characteristics, size and weight.
 - d. Always reduce speed when carrying cargo or bed loads.
4. **When turning on pavement, loose gravel, or similar surfaces, there is an increased risk of loss of control. ** ALWAYS SLOW DOWN! ****
5. **Operating the vehicle in conditions where water, mud, snow, dirt, sand, or other debris can get into the throttle cable conduit and/or on the throttle mechanism may cause binding of the cable and/or the throttle mechanism.**
 - a. This may result in the throttle sticking which can cause the engine to continue to run and result in loss of control.
6. **Keep hands, feet, and all body parts in the vehicle at all times.**
 - a. In the event of a vehicle roll-over, do NOT extend arms, legs or any other extremity outside the vehicle as possible personal injury can occur.
7. **Keep hands and feet on controls**
8. **STOP the vehicle and back slowly down any hill that the vehicle lacks the power or traction to climb. Do NOT turn across the slope or try to turn around.**
 - a. Turning on a slope increases the risk of rollover.
 - b. Control the descent speed with the brake (left foot pedal).
 - c. Re-applying the throttle when facing up a steep hill increases the risk of the front tires leaving the ground and the vehicle over-turning.
9. **STOP the engine if the machine makes unusual noises or vibrations.**
 - a. Check the vehicle for damage.
 - b. Excessive noise or vibration is a sign of loose or worn parts.
 - c. Do not attempt to use the vehicle until it has been serviced to correct the issue.
10. **Operating this UTV on paved surfaces may seriously affect handling and control of the vehicle, and may cause the vehicle to go out of control.**
11. **Operating this UTV on public streets, roads or highways could result in a collision with another vehicle. Never operate this UTV on any public streets, roads or highways, whether they are dirt, gravel or paved surfaces unless properly equipped.**
12. **Always remove the ignition key when the vehicle is not in use to prevent theft or unauthorized use.**

Gasoline Utility Vehicles (Continued on next page)

This section covers the operation of the gasoline powered 2WD and 4WD Utility Vehicles.



NOTE

Perform a Pre-Ride Inspection using the list on the back cover of this book before each use to ensure that your vehicle is in proper working order

General Operation - All Gas Models

Start your Utility Vehicle by following the starting procedures as noted below

1. **Depress brake pedal with your foot and hold. Pull firmly back on the park brake lever with your hand until the lever is tight.**
2. **Place gearshift in neutral.**
3. **Apply choke fully when engine is cold (carbureted models only).**
4. **Turn ignition key fully clockwise and hold to start engine (see note for EFI priming at right).**
5. **Release ignition key to run position and choke (if applicable) to normal operating position immediately after engine starts.**
6. **Release parking brake.**
7. **Turn ignition key counterclockwise to stop engine.**

Driving is as easy as driving a car with an automatic transmission. A simple forward and reverse shifter provides direction control. Never shift while the vehicle is moving, as damage to the drive train may occur.

For convenience, some models include a back-up pull-rope starter mechanism on the engine.

Braking is accomplished by simply releasing the throttle pedal and depressing the brake pedal that is located on the floorboard left of the accelerator. A lever action parking brake control is mounted on the dash located to the left of the steering wheel. Pull up on the lever and depress the button on the park brake control lever to release the park brake.

Operation of the rear axle differential lock

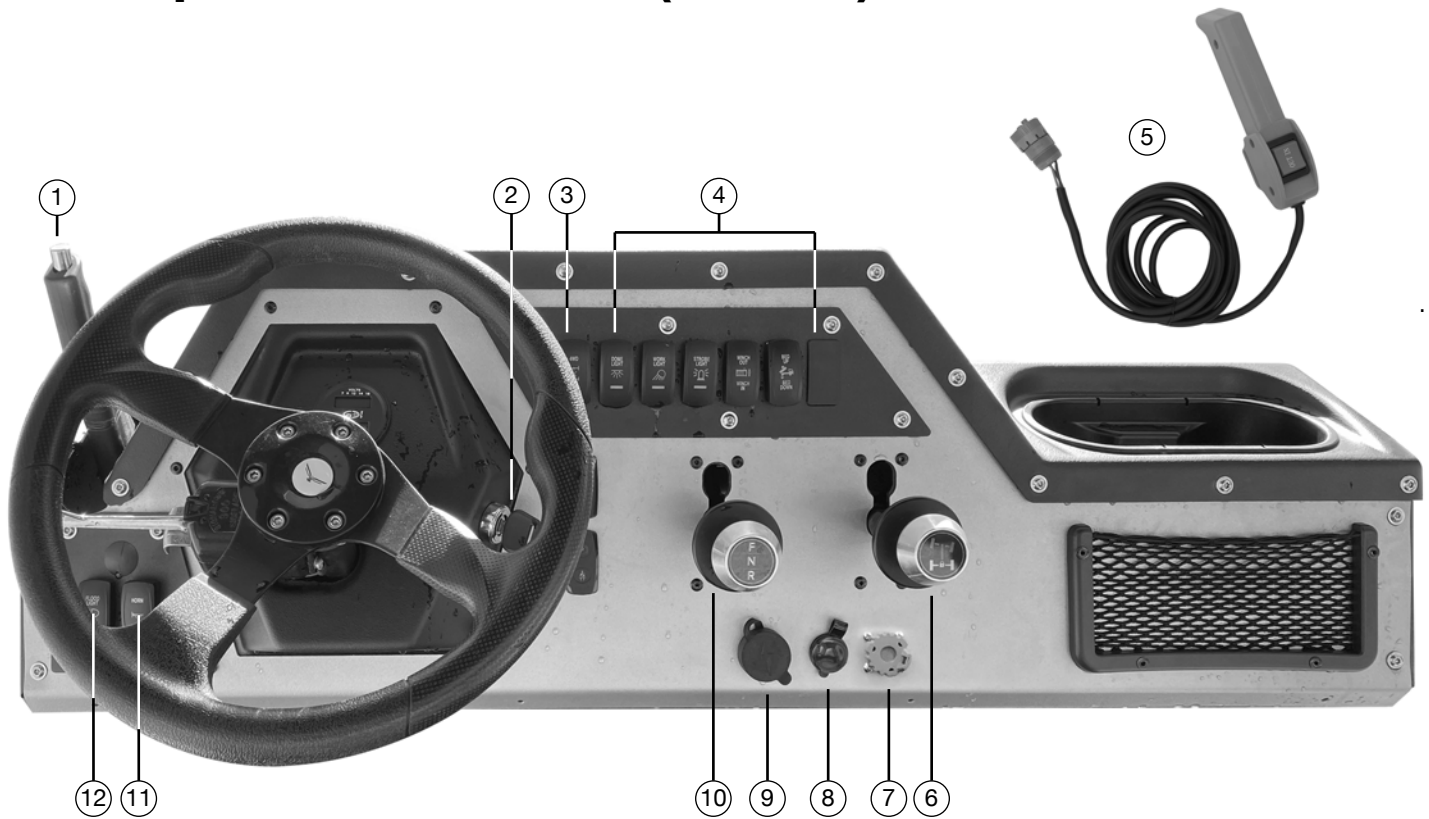
The rear axle is equipped with a manually operated differential lock. It is engaged by moving the dash mounted differential lever to the up position. Locking the differential sends equal power to both rear wheels for better traction. It may be used in both 2WD and 4WD modes.



NOTE - EFI PRIMING

EFI equipped vehicles that are being started for the first time after purchase or have had their fuel tanks refilled after having run out of fuel will need to have their fuel systems primed. This is because the EFI unit uses two fuel pumps. The first is a pulse pump which is operated by engine rotation drawing fuel from the fuel tank and supplying the second pump which is electric. The electric fuel pump pressurizes the fuel and delivers it to the engine. It operates when the ignition key is placed in the RUN position. Begin priming the system by turning the key switch to RUN for one minute. Allow electric fuel pump to cycle. Turn key switch to START and crank engine continuously, cycling the pulse fuel pump, until the engine starts but for not more than 10 seconds should it not start. Allow a 60 second cool down period and attempt to start the engine again. (Failure to follow these guidelines can burn out the starter motor.) This procedure may need to be repeated as many as 4 times. If after 4 times, the engine does not start, contact American Landmaster Customer Service.

General Operation - All Gas Models (continued)



| | |
|---|------------------|
| 1 | Parking Brake |
| 2 | Ignition Switch |
| 3 | 2WD / 4WD Switch |
| 4 | Accessories |
| 5 | Winch Remote |
| 6 | Differential |

| | |
|----|------------------------|
| 7 | Winch Remote Connector |
| 8 | 12V Outlet |
| 9 | Optional USB |
| 10 | F-N-R Lever |
| 11 | Horn |
| 12 | Light |

CAUTION

Engine should be at idle before selecting 4WD mode. Sudden engagement of 4X4 switch under power may damage the drivetrain. Failure to do so may void warranty.

NOTE

Locking the differential on paved or hard surfaces may increase steering effort and tire wear.

NOTE

Keyswitch must be in the "RUN" position for vehicle to operate.

4WD Operation

Four wheel drive models are equipped with an electronically activated "On Demand" 4WD system. To engage the 4WD system, simply flip the dash mounted switch to 4WD. Engagement of the system should always be done with the vehicle stopped and the engine at idle speed.

This Hilliard™ system is an "On Demand" 4WD system. When rear tire slip is sensed, an overrunning clutch in the front differential will engage the front wheels. Note that even though you may be in 4WD, the front wheels may not be engaged until a demand is placed on them due to loss of traction at the rear wheels.

Because the power transfer is automatic, you may operate the vehicle in 4WD mode continuously without affecting steering effort or tire wear.

DRIVING RECOMMENDATIONS



DRIVING WITH A PASSENGER(S)

- Passengers must be tall enough to comfortably and safely sit in a passenger seat with the seat belt secured, and with the ability to grasp the hand hold
- Ensure all passengers are wearing proper protective clothing, including helmet and eye protection.
- Do not exceed the recommended number of passengers for your vehicle. See specifications section. Vehicles equipped with the rear facing flip seat can safely carry an additional (2) passengers.
- All passengers must ride in passenger seats equipped with proper restraints and safety gear.
- Always slow down. Avoid aggressive maneuvers that will cause discomfort or injury to a passenger.
 - a. Operator must use mature judgment, skill and experience to choose a speed suitable for terrain and riding conditions in protecting operator, passenger, and/or bystanders.
 - b. This vehicle is not a passenger car. High-speed turning and failure to operate the vehicle correctly may cause loss of control, vehicle rollover and/or possible death or injury to the vehicle occupant(s).
- Handling of the vehicle may change with passengers and/or cargo. Increase time and distance for braking when loaded.
- Read, understand and follow all instructions and warnings in this manual and on the safety decals located on the utility vehicle.

DRIVING ACROSS A HILLSIDE

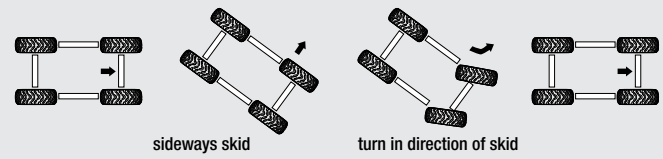
- Avoid driving across hillside slopes whenever possible. Slow down and exercise extreme caution. Improper driving technique or crossing an excessively steep grade could result in rollover and injury or death
- Keep hands and feet and all body parts in the vehicle at all times
- Do not cross hills that exceed 15 degrees or 26% grade
- Keep front wheels straight when crossing a hillside. Steep slopes may require turning the front wheels slightly uphill to maintain a straight line of travel
- If the vehicle begins to tip while crossing a hillside, immediately turn the front wheels in the downhill direction to regain stability and control
- Do not stop or start suddenly or over accelerate on hills. control and rollover could result.

DRIVING UPHILL AND DOWNHILL

- Avoid excessively steep hills, and inspect hill for slippery or loose surfaces before attempting to climb or descend.
- Keep hands and feet and all body parts in the vehicle at all times
- Note that towing, braking and traction are greatly diminished in hill climbing or descending.
- Keep front wheels straight when climbing and/or cresting and descending hills
- Do not stop or start suddenly or over accelerate on hills. Loss of control and rollover could result.
- If the vehicle loses power or traction and stops while climbing a hill, immediately engage the service brake and back slowly down the hill, maintaining a straight, downhill line of travel. Attempting to turn the vehicle could result in a rollover.
- When descending a hill, over application of the service brake may cause skidding and loss of control. Apply the brakes slightly to aid in slowing down.
- Reduce speed and payload on hilly or rough ground.

DRIVING ON SLIPPERY SURFACES

- Note that towing, braking, steering function and traction are greatly diminished when driving on slick or slippery surfaces. Always slow down and exercise extreme caution.
- Do not operate the vehicle on excessively slick, rough or loose terrain
- Avoid sudden acceleration and deceleration of the vehicle as loss of control may occur
- Avoid sudden changes in direction as steering control is greatly diminished when driving on slick or slippery surfaces.
- Increase time and distance for braking.
- Never apply the brakes during a skid. Correct a skid by turning the steering wheel in the direction of the skid.



DRIVING RECOMMENDATIONS



DRIVING OVER OBSTACLES

- Always use caution when driving in unfamiliar terrain to avoid obstructions and obstacles that may be hidden from immediate view. Be constantly alert for hazards such as rocks, ruts, holes, logs and low hanging branches.
- Avoid crossing over large obstacles whenever possible. If unavoidable, use extreme caution and slow down. Damage to your vehicle may occur if the obstacle is larger than the ground clearance of your vehicle.
- Keep hands and feet and all body parts in the vehicle at all times
- Have passengers dismount and move away from the vehicle before attempting to drive over an obstacle that could cause rollover.
- When crossing items such as a log, approach the obstacle at 45 degrees to avoid high centering the vehicle.

DRIVING THROUGH WATER

- Avoid water crossings when possible and never cross a body of water where the depth is unknown. Water crossings present unfamiliar and hidden terrain and obstacles that may cause an accident or damage to your vehicle.
- Your American Landmaster UTV is capable of operating in water to a maximum depth equal to the ground clearance of the floorboards of your vehicle. Driving in deeper water will cause loss of power by submerging the drive system. Additionally, driving in deeper water will cause water ingestion into the engine cooling fan causing damage to the engine and voiding the manufacturer warranty
- If you must cross a body of water, determine depth of water and current before entering
- Enter and exit the water where both banks have a gradual incline.
- Proceed slowly
- After crossing the water, brake function may be diminished. Apply light pressure to the brake system while driving slowly until the system returns to normal brake operation.
- Frequent water crossings will require more frequent inspection of the engine oil, transaxle oil, and lubrication points of the vehicle.

DRIVING IN REVERSE

- Take extra precautions when rear view is hindered by cargo. Remove or reposition cargo that may obstruct your view. Use a spotter if necessary to assist in avoiding obstacles or people.
- Always make sure the pathway is clear of all objects when backing up. Know the location of personnel around the vehicle and especially the location of small children.
- Avoid backing down hills
- Back up slowly and avoid sudden acceleration.
- Never turn at a sharp angle when driving in reverse. Sharp turns combined with higher speeds in reverse will result in a rollover and injury or death.

PARKING THE VEHICLE

- Always put the vehicle in the Neutral gear and apply the parking brake when leaving the unit unattended or parking the vehicle for any amount of time.
- Turn off the engine. Unattended vehicles should have the ignition key removed to avoid theft or unauthorized use of the vehicle.
- Park on a level surface whenever possible
- If parking the vehicle indoors, ensure that the structure is well ventilated and that the vehicle is not parked over any loose debris or flammable materials. Park well away from any potential ignition sources such as appliance pilot lights or source of sparks.
- Avoid parking on an incline whenever possible, if unavoidable see the following recommendations:
 - a. Always apply the parking brake
 - b. Chock the wheels on the downhill side with a wheel chock, rock or large object to prevent the vehicle from rolling.

section 4 maintenance

REPLACEMENT PARTS, ACCESSORIES AND SERVICE

Most replacement parts and accessories are typically available from your dealer. Because of immediate availability and convenience, it is recommended that items be ordered from an authorized dealer. Take this manual and all supplements to the dealer when ordering parts in person.

If replacement parts are not available from a dealer, they may be ordered directly from American LandMaster by contacting Customer Service at 1-800-643-7332 or online at www.americanlandmaster.com. Orders may be subject to a minimum fee. A listing of authorized service providers in your area is also available online at www.americanlandmaster.com or from our Customer Service department. Installation of non-ASW approved parts or accessories could create a substantial safety hazard and increase risk of injury. Only use authorized ASW parts.

Record the Model, Vehicle Identification Number (VIN) and Serial Number in the spaces provided at the front of this Manual.

| AIR FILTER ELEMENTS REPLACEMENT PARTS | |
|---|----------|
| Description | Part No. |
| Kohler Air Filter (429cc) | 15769 |
| Briggs & Stratton Air Filter (479cc) | 16170 |
| Remote Air Filter / Pre Cleaner (694cc) | 18179 |

| TUNE UP KITS (kits include all needed filters, fluids) | |
|--|----------|
| Description | Part No. |
| KOHLER 429cc | 16872 |
| BRIGGS & STRATTON 479cc | 16164 |
| KOHLER 694cc | 16935 |

| OIL FILTER REPLACEMENT PARTS | |
|------------------------------|----------|
| Description | Part No. |
| Briggs & Stratton 479cc | 16172 |
| Kohler 694cc Spin-on | 16525 |

| SPARK PLUG REPLACEMENT PARTS | |
|------------------------------------|-------------|
| Description | Part No. |
| BRIGGS & STRATTON 479cc | |
| NGK | BPR6ES |
| KOHLER 674cc / 694cc | |
| CHAMPION | RC12YC |
| NGK | BCP5EV |
| KOHLER | 12 132 02-5 |
| KOHLER 429cc | |
| CHAMPION | RC12LC4 |
| NGK | 2262 |
| KOHLER | 25 132 27-S |

PERIODIC CHECKS & SERVICES

The general maintenance intervals in the following table are based upon average driving conditions. Driving in unusually dusty areas may require more frequent servicing. Refer to the engine operation manual for detailed information specific to engine maintenance.

VEHICLE MAINTENANCE SCHEDULE

| FLUID LEVEL CHECK AND CHANGE | INSPECTION INTERVAL | MAINTENANCE INTERVAL |
|--|-----------------------|---|
| Engine Oil | Pre-Ride Inspection | See Engine Mfg Recommendations |
| Transaxle Oil | 6 Months or 200 hours | Yearly or 600 hours |
| 90 deg Gear Box | Monthly | Yearly or 600 hours |
| Front Differential | Monthly | 200 Hours |
| Brake Master Cylinder | Pre-Ride Inspection | N/A |
| MECHANICAL | INSPECTION INTERVAL | MAINTENANCE INTERVAL |
| Cables (brake, throttle, choke, shift, etc.) | Pre-Ride Inspection | Lubricate Monthly (or as required by Pre-Ride Inspection) |
| Air Filter | Monthly | As required by inspection |
| Spark Plug | Quarterly | Yearly |
| Fuel Filter | Annually | Annually or every 400 hours |
| Fuel Hose | Monthly | As required by inspection |
| Oil Filter | N/A | With Oil Change |
| Drive Belt | Monthly | As required by inspection |
| Drive System (CVT) | 150 Miles | As required by inspection |
| Fasteners | Pre-Ride Inspection | As required by inspection |
| Tires | Pre-Ride Inspection | As required by inspection |
| Tire Pressure (16 psi) | Pre-Ride Inspection | As required by inspection |
| Suspension | Pre-Ride Inspection | As required by inspection |
| Brakes | Pre-Ride Inspection | As required by inspection |

ENGINE MAINTENANCE

Your vehicle has been supplied with an engine manufacturers manual. Follow all guidelines and recommended maintenance procedures. If for some reason you did not receive an engine manufacturers manual, please contact American Landmaster at 800-643-7332. Manuals are also available for free download at americanlandmaster.com.

General Information

Detailed instructions and recommendations for break-in and regular maintenance are specified in the engine operator's manual. Engine warranty is backed by the engine manufacturer. Please refer to engine manufacturer's manual for engine servicing, lubricating oil levels, oil quality and viscosity recommendations, bolt torques, etc. Special attention should be paid to applicable data that is not duplicated here.

ENGINE OIL



NOTE

GAS MODELS



OIL LEVELS:

- Running engine low on oil can cause engine damage and void engine warranty.
- Overfilling of oil level can cause loss of power, engine damage and void engine warranty.

Engine Oil Fill and Drain Locations

Refer to the engine manufacturers manual for oil fill & drain locations.

To access oil check, fill and drain locations, flip the seat bottom forward and remove (figure 4.1).



figure 4.1 (seat removal - lift rear and tilt forward)

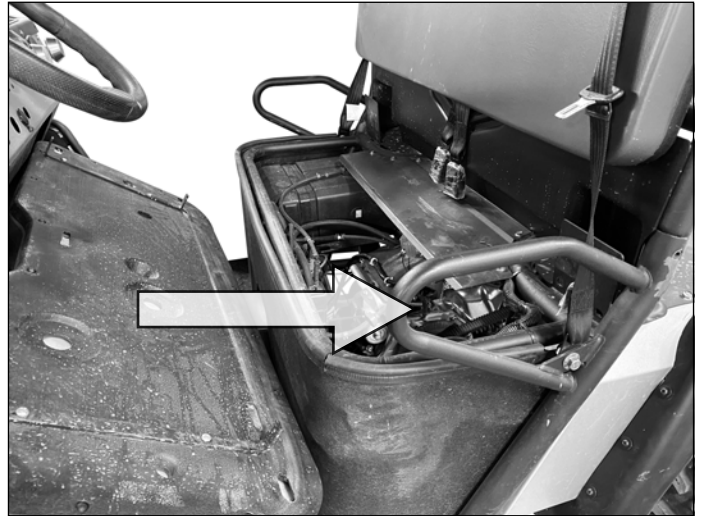


figure 4.2 (exposed engine)

Engine Oil Level Check

Check engine oil daily with filler cap/dipstick as follows:

1. Park Vehicle on a level surface, set park brake, turn off ignition switch, and remove key.
2. Remove filler cap/dipstick and wipe it clean.
3. Insert and remove dipstick. Check oil level shown on dipstick.

NOTE: Some models may require you to screw the dipstick into the fill neck. (refer to the engine manual)

4. Fill to edge of oil fill hole or to the **FULL** mark on the dipstick with recommended oil when oil levels are low.
5. Replace filler cap/dipstick and tighten securely.

ENGINE MAINTENANCE CONT.

Engine Oil Change


Warm oil drains quickly and completely. Therefore, drain used engine oil while engine is still warm as follows:

1. Park vehicle on a level surface, set park brake, turn off ignition switch, and remove key.
2. Place a suitable container below engine to catch used oil. Remove filler cap/dipstick and drain plug.
3. Allow used oil to drain completely and then reinstall and tighten drain plug securely. If unit is equipped with a spin-on oil filter, remove and replace **BEFORE moving to step 4.**
4. Dispose of used motor oil in a manner that is compatible with the environment. **Do not throw used oil in the trash. Do not pour it on the ground, or down a drain.**
5. Fill oil to the outer edge of the oil fill hole, using a funnel, per engine manual, with recommended oil.
Engine must be level when filling.
6. Replace filler cap/dipstick and tighten securely.

Air Filter Change

1. L4 air filters can be accessed by tilting the dump bed and removing the rear heat shield.
2. L5 models will require removal of the seat bottom and require removal of the forward heat shield.
3. L7 models can be accessed under the driver seat in the remote air box.
4. Replace filter per instructions included in your engine owner manual.

**⚠ NOTICE - HIGH ALTITUDE USE
CARBURETED MODELS ONLY**



Continual operation of your vehicle in altitudes in excess of 5000 feet, will require the installation of a high altitude jet kit. This service should be performed by an authorized service center. Please refer to your engine owner manual or call American Landmaster customer service at 800-643-7332

DRIVETRAIN MAINTENANCE

DRIVE BELT

Drive Belt - 2WD / 4WD

The drive belt is considered a wearable item. Replacement intervals depend on vehicle use and environment. If your belt is slipping it may require replacement.

1. Park vehicle on a level surface, set park brake, place shifter in Neutral, turn off ignition switch, and remove key.
2. Remove the belt covers.
3. "Walk" the belt off of the rear pulley as shown in figure 4.3.
4. Install the new belt on the front pulley first and "walk" it onto the rear pulley.
5. Reinstall the belt guards as shown in figure 4.4.

Note: Removal of the rear CVT guard may require upper shock bolt to be removed.

Attention: Failure to reinstall the belt guards may void your warranty.

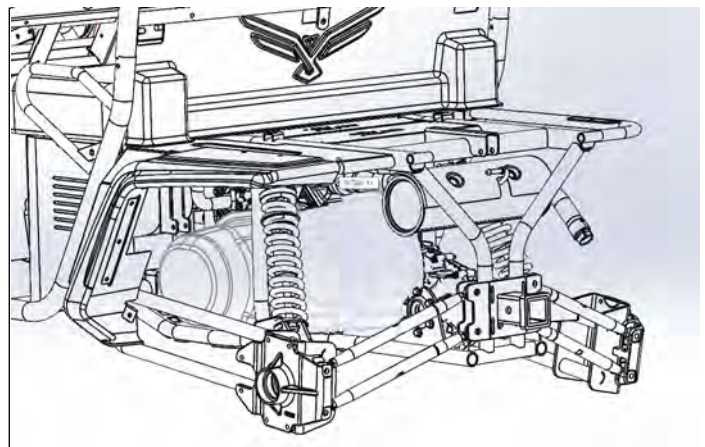


figure 4.4 (drive belt cover - 4WD unit shown)

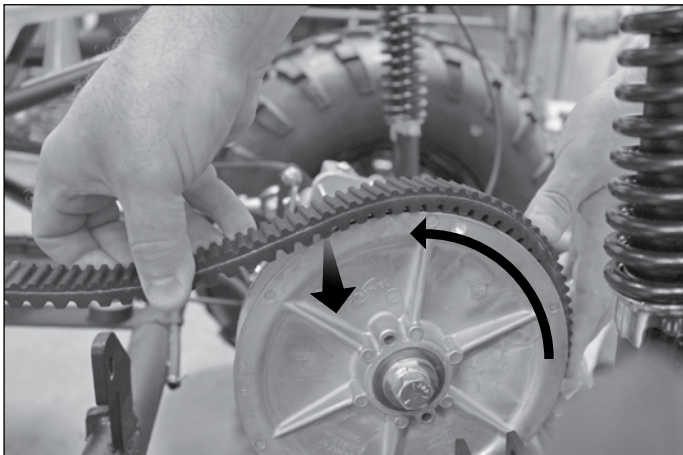


figure 4.3 (removing the exposed drive belt)

DRIVETRAIN MAINTENANCE CONT.

TRANSAXLE OIL

NOTE

ALL MODELS

LOW TRANSAXLE OIL:

Running vehicle low on transaxle oil can damage transaxle and void warranty.

Transaxle Oil Type, Fill, and Drain

(Refer to figures 4.5, 4.6, & 4.7)

5W30 oil is used in the transaxle. Oil should be changed after one year of normal use, and every other year after.

- Fill cap location: At rear driver side (see figure 4.5)
- Drain plug location: At bottom center of transaxle.
- Type of Lubrication: 5W30 oil.
- Transaxle Lubrication Capacity: 24 oz.

Transaxle Oil Maintenance Schedule

- Check transaxle housing for damage and possible oil leakage after each use.
- Check transaxle oil level every 6 months or every 200 hours (whichever comes first).

Park vehicle on a level surface, set park brake, turn off ignition switch, and remove key. Use a clean long bladed screw driver at least 7" long (or similar object). Insert into filler hole until it touches the bottom of gear case. Remove the screw driver. There should be approximately 2 1/4" to 2 1/2" of oil visible on screw driver. Refer to figure 4.7

- Change transaxle oil once a year or every 600 hours (whichever comes first).

Transaxle Oil Change

Warm oil drains quickly and completely. Therefore, drain used transaxle oil while transaxle housing is still warm as follows:

1. Park vehicle on a level surface, set park brake, turn off ignition switch, and remove key.
2. Place a suitable container below the transaxle case to catch used oil. Remove fill cap and drain plug.
3. Allow used oil to drain completely and then reinstall drain plug and tighten it securely.
4. Dispose of used transaxle case oil in a manner that is compatible with the environment. Do not throw used oil in the trash, pour it on the ground, or down a drain.
5. Fill transaxle housing with 24 oz. 5W30 oil.
6. Replace fill cap and tighten securely.

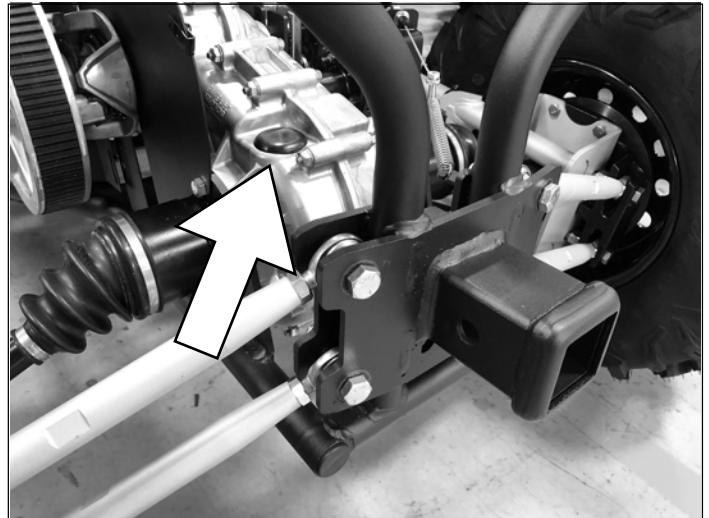


figure 4.5 (transaxle oil fill cap location)

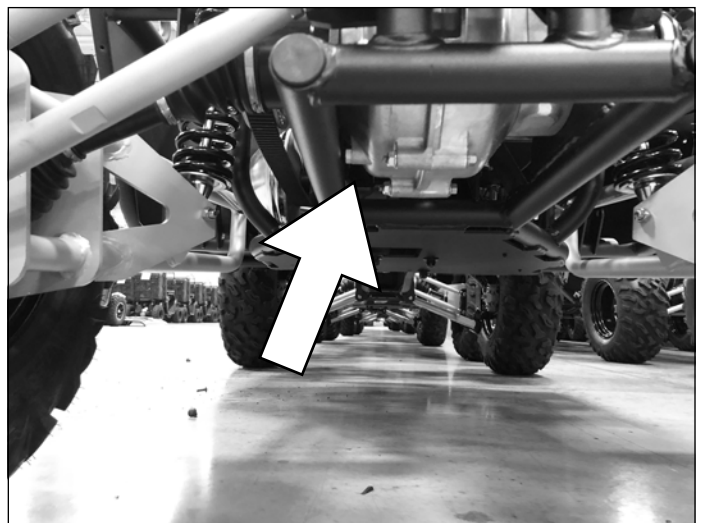


figure 4.6 (transaxle drain plug location)

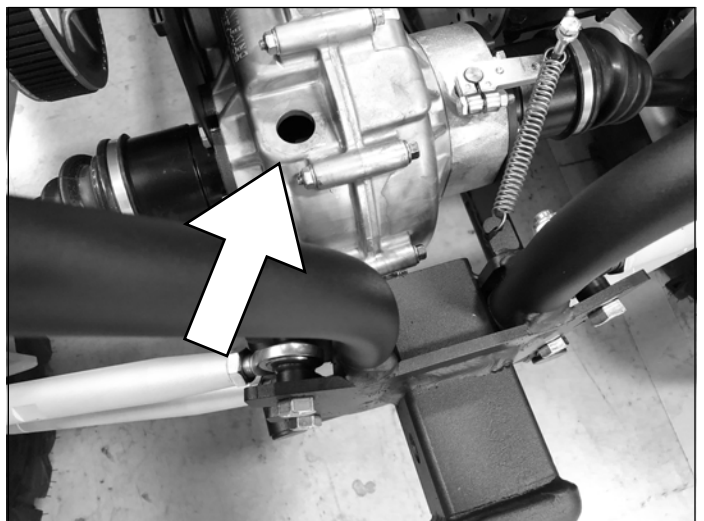


figure 4.7 (checking transaxle oil level)

DRIVETRAIN MAINTENANCE CONT.

Front Differential Gear Box - 4WD Models

It is recommended that the oil be changed once every 2000 miles (about 150 to 200 hours). To change the oil, follow each step on the procedure listed below.

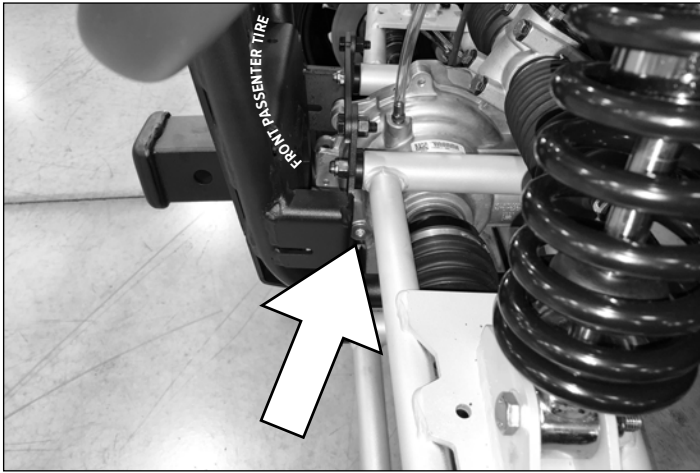


figure 4.8 (Gear Box Oil Fill)

1. Remove the oil drain plug located on the bottom of the gear case using a 7/16" socket.
2. Let all the oil drain out of the unit. Catch and discard the oil properly.
3. Be sure to clean off any debris on the drain plug and reinstall using a new nylon washer (part # 2-20843). Torque the oil drain plug to 9 ft*lbs.
4. Remove the oil fill plug using a 5/16" hex key wrench.
5. Add 150 ml. (5 oz.) of Mobil fluid 424 American Landmaster part # 2-20848 *(note: do not use any other type of oil in this system or the 4WD will not operate properly!)*
6. Reassemble the oil fill plug into the gear case and torque to 10 ft*lbs.

90° Transfer Gear Box – It is recommended that the oil be changed once a year or after 600 hours. Refer to figure 4.9.

Note: Remove gear box in order to refill.

1. Remove the oil drain plug located on the bottom of the gear case using a ¼" hex key wrench.
2. Let all the oil drain out of the unit. Catch and discard the oil properly.
3. Be sure to clean off any debris on the drain plug and reinstall. Torque oil drain plug to 10 ft*lbs.
4. Remove the oil fill plug using a ¼" hex key wrench.
5. Add 200 ml. (7 oz.) of 80W90 gear oil.
6. Reassemble the oil fill plug into the gearcase and torque to 10 ft*lbs.

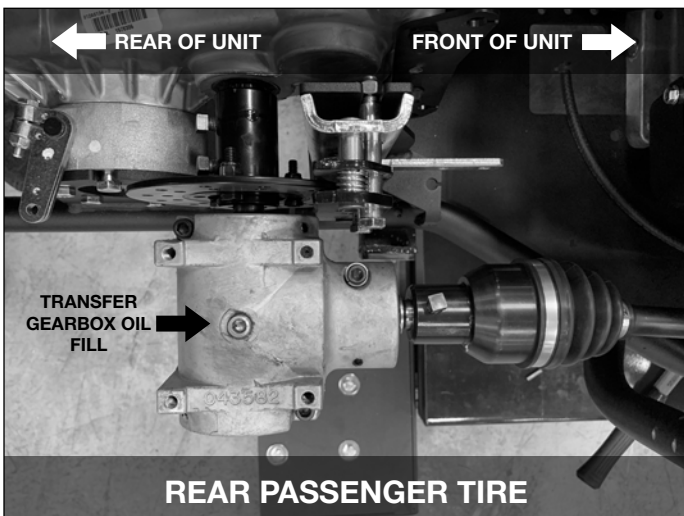


figure 4.9

PULLEY CLEANING

Driver Pulley Maintenance

The following pulley cleaning instructions are provided by CVTech, the pulley manufacturer.



IMPORTANT NOTICE!

- A mechanically skilled individual should carry out Variable-Speed Drive maintenance and repair operations.
- ⓘ Identifies operations where a risk of serious injury exists when instructions are not properly followed.
- ✋ Identifies a step where there exists a risk of part deterioration or component malfunction.
- The Tightening Torque Values shown must be precisely applied.
- The images are used for representations purposes only. Items may differ from illustration.

Limit of Liability

In no event shall CVTech be liable for damage or injury due to poor text interpretation, improper Variable-Speed Drive handling or misuse of the recommended tools.

Maintenance Frequency

The CVTech Variable-Speed Drive requires no lubrication. It is designed to run dry. However, basic cleanliness rules apply when handling in order to avoid products or particulates getting in contact with Variable-Speed Drive components during reassembling.

Recommendation

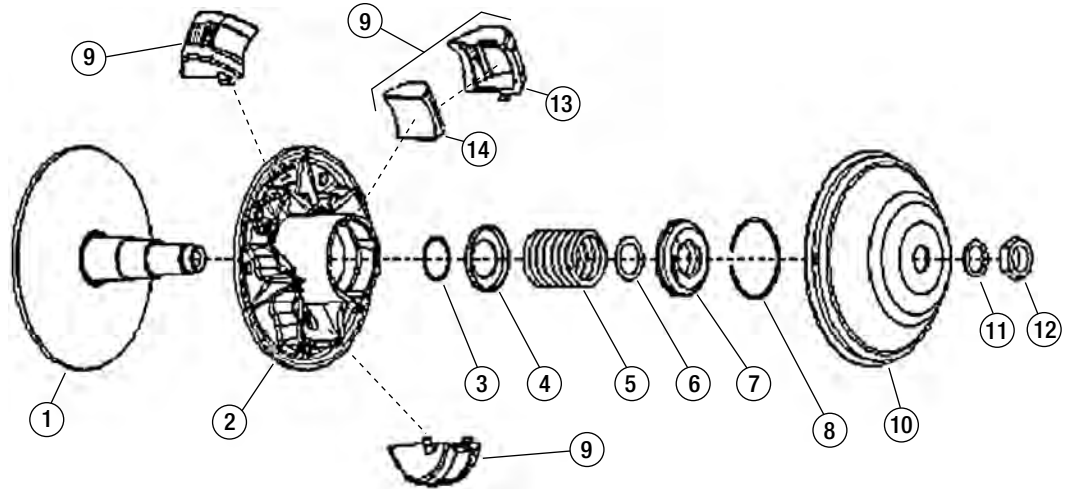
To increase the life of the drive and maintain performance, it is strongly recommended to make a visual check of the CVT:

- Every 150 hours for commercial utility vehicles.

DRIVETRAIN MAINTENANCE CONT.

Exploded view of driver pulley

| Ref | Description | Qty |
|-----|----------------|-----|
| 1 | Fixed Flange | 1 |
| 2 | Sliding Flange | 1 |
| 3 | Washer | 1 |
| 4 | Spring Seat | 1 |
| 5 | Spring | 1 |
| 6 | Washer | 1 |
| 7 | Spring Cover | 1 |
| 8 | Snap Ring | 1 |
| 9 | Block Assembly | 3 |
| 10 | Cap | 1 |
| 11 | Flat Washer | 1 |
| 12 | Nut | 1 |
| 13 | Block | 3 |
| 14 | Weight | 3 |



Pulley removal from the vehicle



1. Remove the bolt from the engine crankshaft.

Mark the direction of Belt Rotation



2. **Taper Shaft** - Remove the fixed flange using the puller suited for the pulley. Screw in the puller until the pulley is freed from the engine shaft.

3. **Straight Shaft** - Remove the fixed flange by pulling.

NEVER HIT THE DRIVE PULLEY WITH A HAMMER OR OTHER TOOL TO REMOVE THE PULLEY OFF THE VEHICLE PTO.

Cleaning the pulley

Removing the cap and block centrifugal

Remove the nut (12) and washer (11). Cap and centrifugal blocks are now released.



Pulley which nut and washer are removed

Not to unbalance the pulley, it is best to note the location of the centrifugal blocks in order to place them in the same location during reassembly.



Pulley with the cap are removed

Cleaning the cap

1. Clean the cap with compressed air.
2. Clean to remove any dust or dirt that can remain on the cap.
3. Pass a scrubbing pad of very fine grade on the cap.
4. Clean the cap with a solvent (brake cleaner) and a cloth.
5. Clean again the parts with compressed air.



Before cleaning cap

DRIVETRAIN MAINTENANCE CONT.

Cleaning the cap - cont.



After cleaning cap

Cleaning the blocks

1. Clean the blocks with compressed air.
2. Clean to remove any dust or dirt that can remain on the blocks.
3. Pass a scrubbing pad of very fine grade on the blocks.



4. Clean the blocks with a solvent (brake cleaner) and a cloth.
5. Clean again the parts with compressed air.



block before cleaning

block after cleaning

Cleaning the flanges

1. Clean the flanges with compressed air.
2. Clean to remove any dust or dirt that can remain on the flanges.
3. Pass a scrubbing pad of very fine grade on the angle flanges.
4. Clean the flanges with a solvent (brake cleaner) and a cloth
5. Clean again the flanges with compressed air.



fixed flange before cleaning



fixed flange after cleaning



sliding flange before cleaning



sliding flange after cleaning

Cleaning the ramps


1. Clean the sliding flange ramps with compressed air.
2. Clean to remove any dust or dirt that can remain on the sliding flange ramps.
3. Pass a scrubbing pad of very fine grade on the sliding flange ramps
4. Clean the sliding flange ramps with a solvent (brake cleaner) and a cloth
5. Clean again the sliding flange ramps with compressed air.



the sliding flange ramps once cleaned

DRIVETRAIN MAINTENANCE CONT.

Assembling the cap and block centrifugal

 Put the blocks in their respective location previously noted during disassembly in the sliding flange. Make sure that the tabs are positioned upside up as shown in the figure below.



tab positoning on sliding flange



reassembled pulley




Block on the right position with tabs upside up

Now install the cap, the washer and nut into postion.

 Apply a torque of 95 Nm at 108 Nm with a torque wrench.

Reassembly of the pulley on the vehicle

 Put the pulley on the vehicle and tighten the bolt holding the pulley with a torque wrench as specified by the vehicle manufacturer.



CHASSIS, STEERING, SUSPENSION MAINTENANCE

CABLES

Several cables are used on your vehicle and should be inspected and maintained on a regular basis:

- Throttle cable
- Shift cables
- Differential lock cable
- Park brake cable
- choke cable

Cable Lubrication

Stiff or sticking cables can cause the vehicle to not operate properly. Before attempting to adjust the cables ensure they are lubricated. To lubricate the cables, slide the rubber dust caps up the cable. Drip or spray penetrating oil into the cable housing while working the cable. Do this several times as the oil soaks into the housing. Test the vehicle. If cable is bound or frozen, the cable may require replacement.

Center Console Removal

1. Use 10 mm socket to remove bolts.
2. Gently lift console out of vehicle.

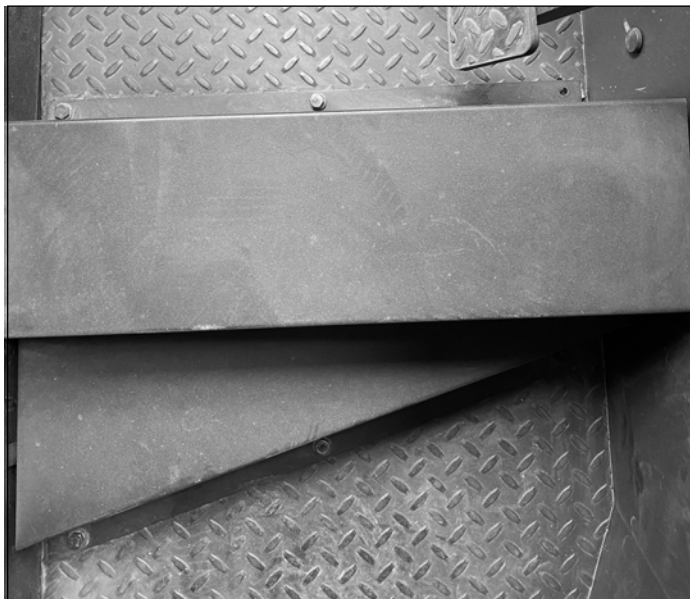


figure 4.11 (4WD drive shaft location)



figure 4.12 (center console removal)

HOOD REMOVAL

The hood of the vehicle can be removed with 8 fasteners.

1. Using 4mm Allen Wrench, remove the (2) front hood fasteners and the 6 rear fender fasteners as shown in Fig 4.13.
2. Gently pull the hood up and forward to remove from vehicle. Note the rear edge of the hood is attached to the dash portion with Hook and Loop attachment points.

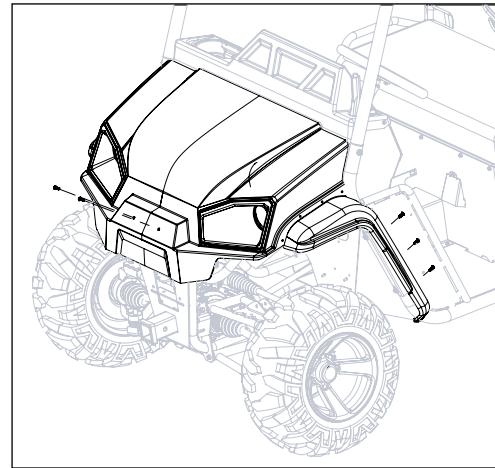


figure 4.13 (hood removal) Note: Rotate screws right to loosen and left to tighten.

Pedals

The pedals on your vehicle require inspection before each use. Pedals should depress and return freely. Pedals may need lubricated with a lithium grease at the locations shown in figure 4.12.

Non-returning pedals should have also the return springs inspected. NOTE: hood removal and protective brake cover must be removed to lubricate components

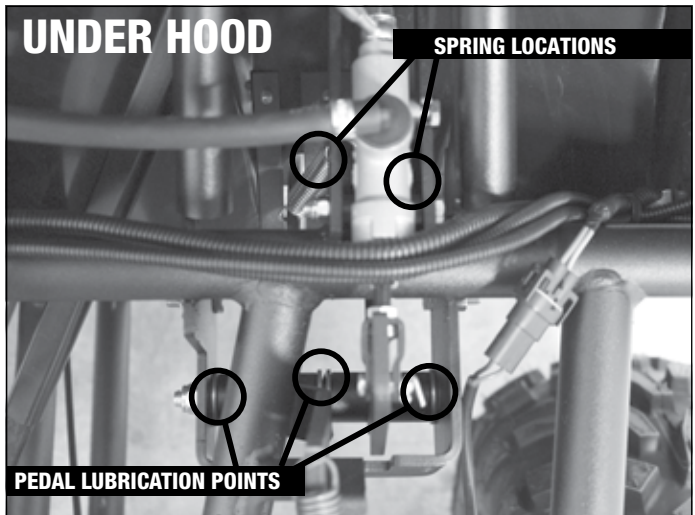
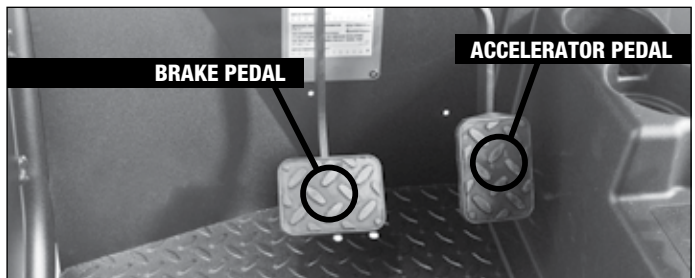


figure 4.12 (pedal lubrication points) NOTE: protective brake cover removed.

WHEEL ALIGNMENT

| ALIGNMENT | SPECIFICATION |
|------------------|--------------------|
| FRONT END TOE | 1/4" - 3/8" TOE IN |
| FRONT END CAMBER | 2 DEG POSITIVE |
| REAR END TOE | ZERO TOE |
| REAR END CAMBER | 2 DEG POSITIVE |

This vehicle is designed to have full alignment adjustability and is pre-set from the factory. If the vehicle requires re-alignment, a basic procedure is outlined below.

NOTE: If a re-alignment is required, a full inspection of the vehicle for bent, broken or damaged components should be completed first. A change of vehicle alignment could very likely be related to impacts from aggressive driving or collisions. Damaged parts should be replaced before any attempts at alignment.

Front Wheel Alignment (Refer to figure 4.14)

The front wheels should be set with a "toe-in" from 1/4" to 3/8". At the centerline of the tires, measure the Distance A and the Distance B. For proper toe adjustment, Dimension A should be 1/4" - 3/8" GREATER than Dimension B.

To make adjustments:

- a. Loosen the lock nuts on both sides of Front Tie Rods.
- b. Ensure the steering wheel is centered, and adjust Dimension B by equally rotating the tie rods in or out with a 12mm wrench.
- c. After adjusting to the desired length, tighten the lock nuts against the rod end.
- d. Recheck the dimensions for proper alignment.

Camber Adjustment (Refer to figure 4.14)

PROCEDURE:

| | |
|--------------------------------|-------------|
| Tools required: | 3/4" wrench |
| (4) jack stands | 5/8" socket |
| Mason line or #18 nylon string | 18mm wrench |
| 7/8" wrench | |

1. Empty the vehicle of any payload or occupants
2. Center the steering:
 - a. Rotate the steering wheel fully to the right LOCK
 - b. At full steering right LOCK, begin to turn the wheel to the left and count the rotations of the steering wheel until you reach the Left LOCK.
 - c. Rotate the steering wheel back to the right for 1/2 of the rotations in the previous step. (for example if you have 3 full rotations lock-to-lock, turn the wheel back 1 1/2 turns to center the steering)
3. Support the vehicle:
 - a. Using a jack, support the front of the vehicle between the front wheels on the vehicle frame. Do NOT lift the vehicle, just support the weight of the frame.
4. Loosen the adjustment points:
 - a. Loosen the UPPER ball joint fasteners
 - b. Loosen the radius arm nuts at the rear of the vehicle
5. Adjust Camber
 - a. For the FRONT of the vehicle, place a straight edge (or 2' level) placed vertically at the 12 and 6 o'clock position. Using a digital or dial type angle gauge, adjust the wheel end to achieve 2 deg POSITIVE camber (top of wheel outboard slightly) and tighten ball joint fasteners to 25 ft-lb.
 - b. For the REAR of the vehicle, place a straight edge (or 2' level) placed vertically at the 12 and 6 o'clock position. Using a digital or dial type angle gauge, adjust the wheel end to achieve 2 deg POSITIVE camber (top of wheel outboard slightly) by rotating the radius arms to the correct position. DO NOT tighten the radius arm fasteners until the TOE adjustments have been made. (REF FIG 4.16)

Toe Adjustment (Refer to figure 4.14)

1. Empty the vehicle of any payload or occupants
2. Center the steering:
 - a. Rotate the steering wheel fully to the right LOCK
 - b. At full steering right LOCK, begin to turn the wheel to the left and count the rotations of the steering wheel until you reach the Left LOCK.
 - c. Rotate the steering wheel back to the right for 1/2 of the rotations in the previous step. (for example if you have 3 full rotations lock-to-lock, turn the wheel back 1 1/2 turns to center the steering)
3. Loosen the adjustment points:
 - a. Loosen the tie rod nuts on the front wheel ends
 - b. Loosen the radius arm nuts at the rear of the vehicle

4. String the vehicle:
 - a. Place (4) jack stands at each corner of the vehicle
 - b. Using the center of the vehicle as reference (NOTE: use the hitch receiver to establish the vehicle centerline), start at the front of the vehicle and place the jack stands an equal distance from the centerline of the vehicle such that you have them placed approximately 10-12" wider than the outside of each front tire.
 - c. Using the same measurement "A" from the center of the vehicle to the jack stand, set up 2 additional stands at the rear corner of the vehicle. All 4 jack stands should be the same distance "A" from the centerline of the vehicle.
 - d. Using string (#18 nylon or mason line), run a string line parallel to the centerline of the vehicle on both the LH and RH side. This will establish the base reference point for alignment.
 - e. Tighten the string and tie off such that the line is tight.
5. Set the TOE:
 - a. Starting with the REAR of the vehicle, make equal adjustments to the RH and LH upper and lower radius arms to achieve ZERO TOE where measurement "D" is the same for the rear tires. Reference this measurement from the string to the center (or edge) of the tire measurement "D".
 - b. At the FRONT of the vehicle, make equal adjustments to the RH and LH tie rod ends to achieve 1/4-3/8" TOE IN setting. Reference this measurement from the string to center of the tire as shown in measurements "B" and "C". Note that measurement "B" will be 1/8"-3/16" LESS than measurement "C".
 - c. Recheck the distances and tighten all fasteners

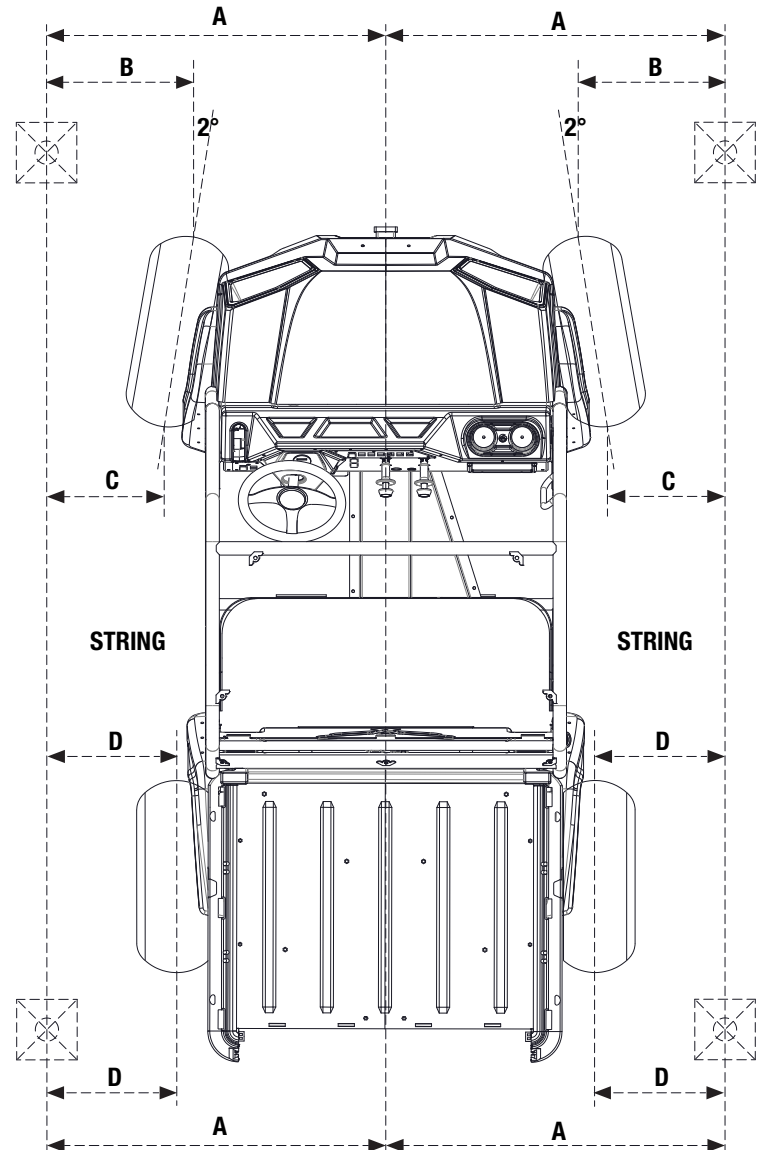


figure 4.14

BRAKES, TIRES MAINTENANCE

Tires

Check tire pressure before each use. Prior to operating the vehicle check and adjust tire pressure to the proper operating pressure as indicated on the sidewall of each tire or in the Specifications section of the Operator's Safety Manual. A "low pressure" tire gauge is required to obtain accurate readings.

Routinely inspect tires for damage, nails, unusual wear or excessive tread wear. NEVER operate a vehicle on underinflated, bald, or damaged tires, or when cording is exposed.

Hydraulic Brakes - 2WD / 4WD (refer to figure 4.15)

Hydraulic Brakes use fluid pressure to transfer the braking force to the wheels. To check the fluid level in the reservoir the hood must be removed. The reservoir is located under the hood just in front of the steering wheel. Fill to the MAX line with DOT 3 brake fluid. If you notice that the brake pedal feels spongy or the vehicle is not stopping well, take the vehicle to a qualified service center.

Authorized American Landmaster service centers in your area can be found by visiting www.americanlandmaster.com or by calling customer service toll free at 800-643-7332.

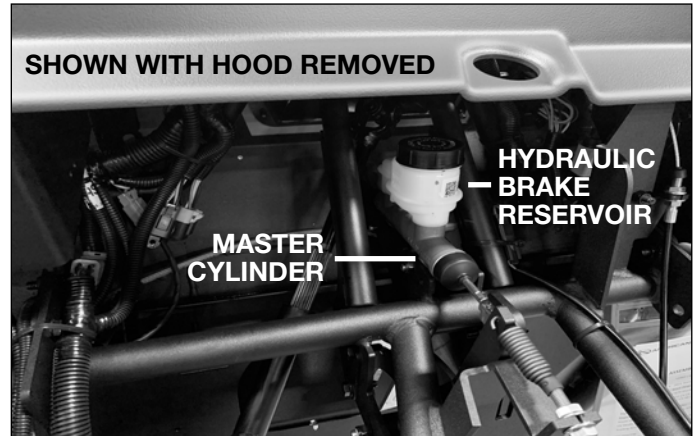


figure 4.15(hydraulic brake reservoir location)

VEHICLE CARE

Fuel Hose

Inspect fuel hoses monthly for cracks, leaks or other damage. Replace immediately if any damage is suspected.

Cleaning the Windshield (if applicable)

- Rinse windshield with lukewarm water; wash gently with mild soap or detergent and lukewarm water, using a soft cloth or sponge. DO NOT SCRUB or use brushes or squeegees.
- Rinse again. Dry with soft cloth or moist cellulose sponge to prevent water spotting.
- Abusive cleaning procedures by hand washing or automated washing equipment will eventually result in visual hazing, loss of light transmission and coating contamination.

Compatible Cleaning Agents

Aqueous Solutions (Mix With Water) of Soaps and Detergents

Fantastik, Formula 409, Hexcel, F.O. 554, Joy, Lysol, Mr. Clean, Neleco-Placer, Pine-Sol, Top Job, Windex.

Washing your vehicle (ALL GAS MODELS)

It is acceptable to wash your utility vehicle, though a pressure washer should not be used, and common sense should be exercised. The air intake system should be protected during washing by placing a plastic bag or other protection over the top of it and securing underneath prior to washing as shown figure 4.25. Avoid direct water or spray contact with wiring harness, system components, or any electrical component especially if the vehicle is equipped with EFI. Remember that the electronics of a fuel injection system are sensitive to water and corrosion.

CAUTION

Washing or operating the vehicle in freezing temperatures can result in water freezing in the throttle cable conduit, the throttle, and/or the engine's throttle mechanism.

- This may result in the throttle sticking which can cause the engine to continue to run and result in loss of control.

Headlight Adjustment / Replacement

The headlights on your vehicle are sealed LED lights and must be replaced if damaged as a complete assembly. Headlight adjustment is achieved by loosening the fasteners as shown in figure 4.16, adjusting and re-tightening.

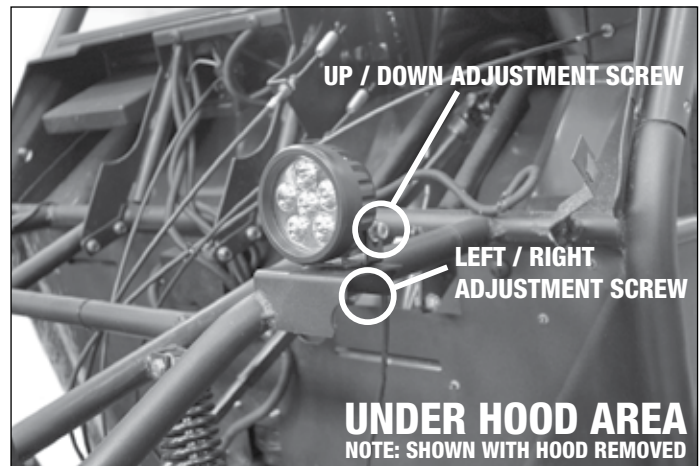


figure 4.16 (headlight adjustment screw locations)

TRANSPORTATION & STORAGE

If your vehicle is going to be trailered or in storage for an extended period of time, follow the instructions below for best results.

TRAILER TIE DOWN RECOMENDATIONS:

When trailering the unit, use tie down points close to the wheel ends to ensure the straps remain tight during transit. Ref figs: 4.17 & 4.18 for front tie points "A" and rear tie points "B".

1. Use (4) ratcheting straps with the appropriate load rating for your vehicle.
2. Tie down the unit near the wheel ends so that suspension movement will not loosen the straps.
3. Ensure straps are routed away from and sharp edges that may cut or damage the strap webbing.
4. Secure or remove any loose items on the vehicle.

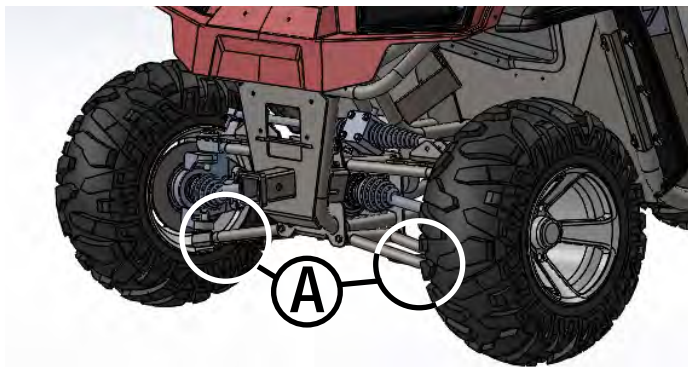


figure 4.17

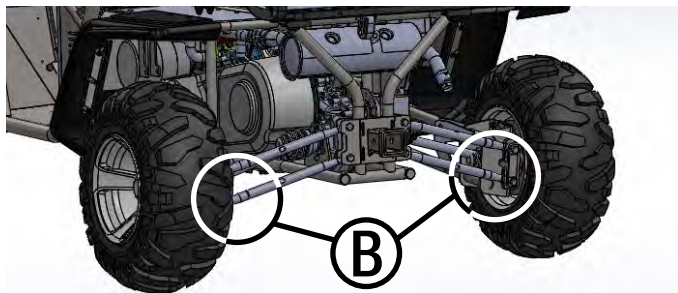


figure 4.18

MAINTAINING FUEL SYSTEM

Using a fuel stabilizer/conditioner in the vehicle can provide benefits such as:

- Keeps gasoline fresh during storage of 90 days or less. For longer storage, drain the fuel tank.
- Cleans the engine during operation.
- Eliminates gum-like varnish build-up in the fuel system.

Add the correct amount of fuel stabilizer/conditioner to the gas. Follow the fuel stabilizer/conditioner manufacturer's directions for best results.

Engine Fuel Valves (Ref to figures 4.19 & 4.20)

American Landmaster recommends closing the fuel valve whenever the unit is trailered to avoid fuel flooding.

On the L5 model the engine has a fuel valve that opens and closes the passage between the fuel tank and carburetor. Leave fuel valve lever in the OFF position when the engine is not in use to prevent carburetor flooding and reduce possibility of fuel leakage into the cylinder cavity and engine oil reservoir. Turn fuel valve lever to the ON position when running the engine.

Inline fuel valves

On the L5 model an in-line fuel shut-off is standard and located on the fuel line between the fuel tank and the engine as shown in figure 4.20.



figure 4.19 (inline fuel shutoff valve shown in the "ON" position)

BATTERY CHARGING

Battery Charging - Gas Models

Use a trickle charger to maintain battery voltage as needed.



figure 4.20 (battery charging port)

LONG TERM STORAGE

If you plan to store (and not operate) your vehicle for a period in excess of 30 days, or at the end of each driving season, the unit should be set up for storage as follows:

- a. Drain fuel tank and carburetor by allowing the engine to run completely out of fuel.
- b. Lubricate the engine cylinder by removing the air cleaner and spraying an engine fogging oil through the carburetor.
- c. Do NOT save or store gasoline over the winter. Using old gasoline, which will deteriorate from storage, will make the engine difficult to start and affect the performance of the engine.
- d. Remove the battery from the unit and apply a periodic trickle charge to maintain the battery at a proper voltage level for the next riding season.
- e. To protect the paint, plastics and upholstery, we recommend covering the unit when not in use.

section 5 troubleshooting

| SYMPTOMS | PROBABLE CAUSES | SUGGESTED REMEDIES |
|---|---|---|
| DEAD BATTERY | Lights left on | Turn key off, recharge battery |
| | Key switch left on | Turn key off, recharge battery |
| | Bad battery | Replace battery |
| | Shorted starter solenoid | Replace starter solenoid |
| BATTERY WON'T CHARGE | Loose or corroded battery connection | Clean and tighten connections |
| | Defective voltage regulator | Contact local service center |
| | Dead battery cell | Turn key on and pull rope to start engine (if equipped). Replace battery as soon as possible |
| | Worn out or defective battery | Turn key on and pull rope to start engine (if equipped). Replace battery as soon as possible |
| ELECTRICAL SYSTEM NOT WORKING | Bad magneto on engine | Contact engine manufacturer service center |
| | Blown or missing fuse | Replace fuse |
| | Loose or corroded battery connection | Clean and tighten connections |
| | Worn out or defective battery | Replace battery |
| | Defective ignition switch | Replace ignition switch |
| ENGINE BACKFIRES | Bad connection in wire harness | Repair or replace wire harness |
| | Fouled sparkplug | Replace or clean sparkplug |
| | Missing or incorrectly installed air intake restrictor | Replace or correctly install air intake restrictor |
| ENGINE KNOCKS | Throttle cable is defective or out of adjustment | Clean and lubricate or replace cable |
| | Engine idle speed too low | Adjust engine idle (see engine manual) |
| | Overloaded engine | Avoid overloading engine |
| ENGINE SHUTS DOWN WHILE TURNING, ON INCLINES, OR ON UNEVEN TERRAIN | Stale or dirty fuel | Replace fuel with new fuel |
| | Low engine oil | Check oil level with unit on level ground |
| STEERING FEELS FUNNY / PULLING TO ONE SIDE / HARD TO STEER (CALL NORMALLY FOR 4WD) | Oil sensor is bad (if equipped) | Get low oil sensor changed by authorized engine manufacturer service center |
| | One side may still be engaged in 4WD with the switch off | Put unit in reverse and back up straight a few feet to get the axle to release |
| | One side may still be engaged in 4WD with the switch off | Take unit to a service center |
| BRAKES DONT WORK WELL / HARD TO PUSH / NO TRAVEL IN PEDAL | Low tire pressure | Inflate tires to proper levels (12 p.s.i. recommended for full size UTVs) |
| | Brake rotors are dirty | 4WD Clean rotors with brake cleaner and test. |
| BELT SLIPPING / WILL NOT PULL UPHILL | Low Brake Fluid | Bleed and check brake fluid level. |
| | Too much weight - bed / cab / towing | Lighten load |
| | The belt is wet | Dry the belt |
| | Torque converter pulleys are dirty | Clean the torque converter |
| | Belt may have stretched or have a low spot causing slipping | Replace the belt |

Fuel in the Cylinder Cavity

In the event that the fuel valve is left open while transporting or towing this Utility Vehicle it is possible that fuel has leaked down into the cylinder cavity. If this has occurred the engine will not start. With the cylinder cavity full of fuel the engine will feel like it has “locked up”. At right are the proper steps to follow if your Utility Vehicle engine seems to have fuel in the cylinder cavity.

1. Move the vehicle to a well ventilated area, away from sparks or flame.
2. Park Vehicle on a level surface, set park brake, turn off ignition switch, and remove key.
3. Remove the wire connected to the spark plug and remove the spark plug from the engine. (See figure 5.1)
4. **WARNING:** Stand away from the spark plug hole when performing step 5. Fuel can spray several feet.
5. Wearing eye protection, slowly pull the recoil start grip handle in an upward motion (L4 only). This should force the fuel out of the cylinder cavity through the spark plug hole. **Caution: This gasoline spraying out of the cylinder cavity is very flammable, use extreme caution and make sure there are no sparks or flames nearby.**
6. Repeat step 3 until only air escapes out of the spark plug hole.
7. Properly replace the spark plug back into the cylinder head, move the vehicle away from any spilled fuel. If there is fuel on the vehicle itself, allow for it to evaporate before continuing.
8. Connect the plug wire. Your Utility Vehicle is now ready to start.

! WARNING

Use EXTREME CAUTION when performing the activity below. Gasoline is EXTREMELY FLAMABLE!

Utility Vehicle Shifter Trouble Shooting

- Engine will not turn over when key is turned to start.
 - This vehicle is equipped with a safety switch that only allows starting in neutral.

Go to **Neutral switch diagnostic procedure** below.

- Gears grind when going into a gear or vehicle stays in gear when shifted to neutral.
 - Engine idle is too high.
 - Cables need to be lubricated or adjusted.
- Go to **Cable adjustment procedure** at right.

Neutral Switch Diagnostic Procedure

If starter does not engage when shift lever is in neutral:

1. Apply the parking brake.
2. Turn and hold the key to start. – cycle the shift lever in and out of gear several times. If the starter engages, release the key and call American LandMaster Customer service to order a neutral switch shim kit.
3. If the starter did not engage in step 2, turn and hold the key to start – slowly move the shift lever from neutral to reverse – if the starter engages, release the key. Repeat, moving the shift lever from neutral to forward.

- If the starter did engage, go to **Cable adjustment procedure** section.
- If the starter did not engage call **Customer Service at 800-643-7332**.

Cable Adjustment Procedure

Dry cables can cause shifting problems and may affect starting since the vehicle must go to neutral to start. Before attempting to adjust the cables there are several steps that can be taken to ensure the cables are operating properly.

- Lubricate the cables. Remove the hood per the instructions on page 29. Behind the dash there are two cables attached to the gear selector lever. Slide the rubber dust caps up the cable. Drip or spray penetrating oil into the cable housing while working the lever. Do this several times as the oil soaks into the housing. Test the vehicle.

1. Put the vehicle in neutral.
2. Loosen the cable adjusters behind the dash board. (figure 5.3)
3. Make sure the selector lever on the dashboard is in neutral.
4. Make sure the transmission is in neutral. You can check by turning the key to Start. The engine will only turn over if the transmission is in neutral.
5. Pull the slack out of both cables (but do not stretch the springs) and tighten the adjuster nuts or you can also use the adjuster nuts on the cable bracket located on the transmission. (figure 5.4)

If you have tried all of this and it is still not operating correctly, you may need new cables. Please call American LandMaster Customer Service at 1-800-643-7332. Have your PIN number when you call.

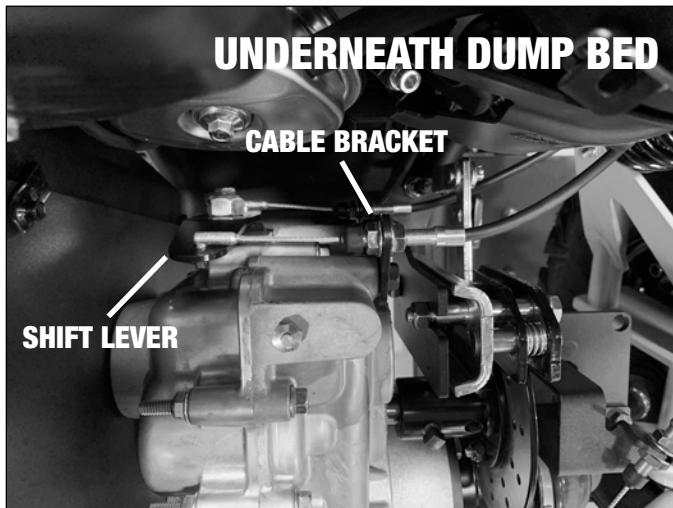


figure 5.4

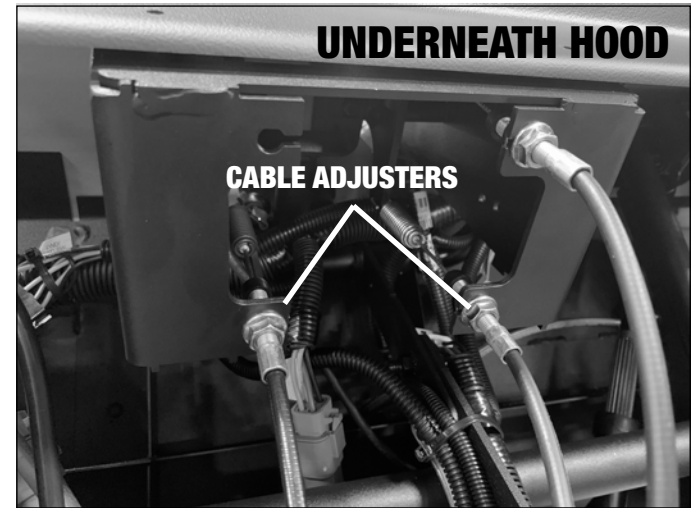


figure 5.3

L4

| | |
|----------------------------|--|
| POWER | 14hp 429cc LandMAXX Kohler EFI air-cooled OHV single cylinder |
| SEATING CAPACITY | 2-Person* |
| SPEED | Up to 24 mph** |
| FUEL CONSUMPTION | Up to 20 mpg* * |
| RANGE | Up to 100 miles** |
| STARTING | 12V keyed ignition with recoil backup |
| BATTERY | 12V / 360 cca utility class |
| SPARK PLUG | NGK BPR6ES |
| FUEL CAPACITY | 5.0 gal |
| ALTERNATOR | 25 amp |
| TRANSMISSION | CVT automatic |
| TRANSAXLE | Gear drive Schafer/DANA oil-filled transaxle |
| DIFFERENTIAL | Cable Actuated Rear-Locking |
| DRIVE | 2 wheel drive |
| FRONT SUSPENSION | Double A-arms, adjustable coil over shock with up to 7" travel |
| REAR SUSPENSION | Independent trailing arm, with radius rod, adjustable camber & tow control, dual-rate coil over shock with up to 8" of travel |
| BRAKE SYSTEM | 4 wheel disc, hydraulic brake. Trans-axle mounted rotor with mechanical caliper parking brake with indicator light. |
| TIRES | 25 x 8 - 12 (front) 25 x 10 - 12 (rear) |
| DIMENSIONS | 95" L x 53" W x 76" H |
| WHEEL BASE | 73" |
| TURNING RADIUS | 7.5' inside radius |
| GVRW | SD - 2,000 lbs. / HD - 2,100 lbs. |
| CURB WEIGHT | 1,100 lbs. |
| BED MATERIALS | Structural foam "Poly Bed" with stake pockets |
| BED DIMENSIONS | 35.25" L x 41.5" W x 11" D |
| BED CAPACITY | Poly - 9 cu.ft. / Steel - 11 cu.ft. / SD - 500 lbs. / HD - 600 lbs. |
| TOWING CAPACITY | 1,300 lbs. |
| TOTAL PAYLOAD | SD - 900 lbs. / HD - 1,000 lbs. |
| WARRANTY | 3 year engine / All other 1 year limited |
| ADDITIONAL FEATURES | 3pt lap/shoulder belts for driver and passenger, twin 12V auxiliary outlets for accessories, 12V/18W LED headlights, polyurethane powder paint, 2" rear and front receiver hitch, poly dump bed standard, weather sealed contoured bench seating, welded steel frame. Complete weather-sealed wiring connections. Wide selection of additional accessories available along with three bed options. Fuel gauge located underside of bed. In-dash, hour/volt meter standard. |

* 2 additional seats with optional seat bed.

** Estimates. Actual top speeds, fuel consumptions and vehicle ranges may vary due to driving conditions, terrain, climate and other extenuating circumstances.



| | |
|----------------------------|--|
| POWER | 16hp 479cc VANGUARD 4-stroke pressure lubricated OHV V-Twin with oil pressure warning light |
| SEATING CAPACITY | 2-Person* |
| SPEED | Up to 24 mph** |
| FUEL CONSUMPTION | Up to 18 mpg** |
| RANGE | Up to 100 miles** |
| STARTING | 12V keyed ignition with recoil backup |
| BATTERY | 12V / 360 cca utility class |
| SPARK PLUG | NGK C7HSA |
| FUEL CAPACITY | 5.0 gal |
| ALTERNATOR | 20 amp |
| TRANSMISSION | CVT automatic |
| TRANSAXLE | Gear drive Schafer/DANA oil-filled transaxle |
| DIFFERENTIAL | Cable Actuated Rear-Locking |
| DRIVE | Switch engaged on demand, 4 wheel drive |
| FRONT SUSPENSION | Double A-arms, adjustable coil over shock with up to 7" travel |
| REAR SUSPENSION | Independent trailing arm, with radius rod, adjustable camber & tow control, dual-rate coil over shock with up to 8" of travel |
| BRAKE SYSTEM | 4 wheel disc, hydraulic brake. Trans-axle mounted rotor with mechanical caliper parking brake with indicator light. |
| TIRES | 25 x 8 - 12 (front) 25 x 10 - 12 (rear) |
| DIMENSIONS | 95" L x 53" W x 76" H |
| WHEEL BASE | 73" |
| TURNING RADIUS | 12' inside radius |
| GVRW | SD - 2,100 lbs. / HD Shocks - 2,200 lbs. |
| CURB WEIGHT | 1,250 lbs. |
| BED MATERIALS | Structural foam "Poly Bed" with stake pockets |
| BED DIMENSIONS | 35.25" L x 41.5" W x 11" D |
| BED CAPACITY | Poly - 9 cu.ft. / Steel - 11 cu.ft. / SD - 500 lbs. / HD - 600 lbs. |
| TOWING CAPACITY | 1,500 lbs. |
| TOTAL PAYLOAD | SD - 900 lbs. / HD - 1,000 lbs. |
| WARRANTY | 3 year engine / All other 1 year limited |
| ADDITIONAL FEATURES | 3pt lap/shoulder belts for driver and passenger, twin 12V auxiliary outlets for accessories, 12V/18W LED headlights, polyurethane powder paint, 2" rear receiver hitch, poly dump bed standard, bench seating, welded steel frame. Complete weather-sealed wiring connections. Wide selection of additional accessories available along with three bed options. Fuel gauge located underside of bed. In-dash, hour/volt meter standard |

* 2 additional seats with optional seat bed.

** Estimates. Actual top speeds, fuel consumptions and vehicle ranges may vary due to driving conditions, terrain, climate and other extenuating circumstances.

LSW

| | |
|----------------------------|--|
| POWER | 16hp 479cc VANGUARD 4-stroke pressure lubricated OHV V-Twin with oil pressure warning light |
| SEATING CAPACITY | 2-Person* |
| SPEED | Up to 24 mph** |
| FUEL CONSUMPTION | Up to 18 mpg** |
| RANGE | Up to 100 miles** |
| STARTING | 12V keyed ignition with recoil backup |
| BATTERY | 12V / 360 cca utility class |
| SPARK PLUG | NGK C7HSA |
| FUEL CAPACITY | 5.0 gal |
| ALTERNATOR | 20 amp |
| TRANSMISSION | CVT automatic |
| TRANSAXLE | Gear drive Schafer/DANA oil-filled transaxle |
| DIFFERENTIAL | Cable Actuated Rear-Locking |
| DRIVE | Switch engaged on demand, 4 wheel drive |
| FRONT SUSPENSION | Double A-arms, adjustable coil over shock with up to 7" travel |
| REAR SUSPENSION | Independent trailing arm, with radius rod, adjustable camber & tow control, dual-rate coil over shock with up to 8" of travel |
| BRAKE SYSTEM | 4 wheel disc, hydraulic brake. Trans-axle mounted rotor with mechanical caliper parking brake with indicator light. |
| TIRES | 25 x 8 - 12 (front) 25 x 10 - 12 (rear) |
| DIMENSIONS | 95" L x 59" W x 76" H |
| WHEEL BASE | 73" |
| TURNING RADIUS | 12' inside radius |
| GVRW | SD - 2,100 lbs. / HD - 2,300 lbs. |
| CURB WEIGHT | 1,200 lbs. |
| BED MATERIALS | Structural foam "Poly Bed" with stake pockets |
| BED DIMENSIONS | 35.25" L x 41.5" W x 11" D |
| BED CAPACITY | Poly - 9 cu.ft. / Steel - 11 cu.ft. / SD - 500 lbs. / HD - 700 lbs. |
| TOWING CAPACITY | 1,500 lbs. |
| TOTAL PAYLOAD | SD - 900 lbs. / HD - 1,100 lbs. |
| WARRANTY | 3 year engine / All other 1 year limited |
| ADDITIONAL FEATURES | 3pt lap/shoulder belts for driver and passenger, twin 12V auxiliary outlets for accessories, 12V/18W LED headlights, polyurethane powder paint, 2" rear receiver hitch, poly dump bed standard, bench seating, welded steel frame. Complete weather-sealed wiring connections. Wide selection of additional accessories available along with three bed options. Fuel gauge located underside of bed. In-dash, hour/volt meter standard |

* 2 additional seats with optional seat bed.

** Estimates. Actual top speeds, fuel consumptions and vehicle ranges may vary due to driving conditions, terrain, climate and other extenuating circumstances.



| | |
|----------------------------|---|
| POWER | 21hp 694cc LandMAXX EFI Commercial Power Engine by Kohler Command Pro® ECH650 rated at 21hp 4-stroke OHV V-twin with oil pressure warning light. Remote Air Cleaner |
| SEATING CAPACITY | 2-Person* |
| SPEED | Up to 34 mph** |
| FUEL CONSUMPTION | Up to 28 mpg** |
| RANGE | Up to 100 miles** |
| STARTING | 12V keyed ignition with recoil backup |
| BATTERY | 12V / 360 cca utility class |
| SPARK PLUG | NGK C7HSA |
| FUEL CAPACITY | 5.0 gal |
| ALTERNATOR | 25 amp |
| TRANSMISSION | CVT automatic |
| TRANSAXLE | Gear drive Schafer/DANA oil-filled transaxle |
| DIFFERENTIAL | Cable Actuated Rear-Locking |
| DRIVE | Switch engaged on demand, 4 wheel drive |
| FRONT SUSPENSION | Double A-arms, adjustable coil over shock with up to 8" travel |
| REAR SUSPENSION | Independent trailing arm, with radius rod, adjustable camber & tow control, dual-rate coil over shock with up to 8" of travel |
| BRAKE SYSTEM | 4 wheel disc, hydraulic brake. Trans-axle mounted rotor with mechanical caliper parking brake with indicator light. |
| TIRES | 25 x 8 - 12 (front) 25 x 10 - 12 (rear) |
| DIMENSIONS | 95" L x 59" W x 76" H |
| WHEEL BASE | 73" |
| TURNING RADIUS | 12' inside radius |
| GVRW | SD - 2,100 lbs. / HD - 2,300 lbs. |
| CURB WEIGHT | 1,200 lbs. |
| BED MATERIALS | Structural foam "Poly Bed" with stake pockets |
| BED DIMENSIONS | 35.25" L x 41.5" W x 11" D |
| BED CAPACITY | Poly - 9 cu.ft. / Steel - 11 cu.ft. / SD - 900 lbs. / HD - 1,100 lbs. |
| TOWING CAPACITY | 1,500 lbs. |
| TOTAL PAYLOAD | SD - 900 lbs. / HD - 1,100 lbs. |
| WARRANTY | 3 year engine / All other 1 year limited |
| ADDITIONAL FEATURES | 3pt lap/shoulder DOT certified belts for driver and passenger with driver indicator light, twin 12V auxiliary outlets for accessories, 12V/18W LED headlights, polyurethane powder paint, 2" rear receiver hitch, dump bed, bench seating, welded steel frame, headrests, under seat storage. Complete weather-sealed wiring connections. Wide selection of additional accessories available along with three bed options. Fuel gauge located underside of bed. In-dash, hour/volt meter standard |

* 2 additional seats with optional seat bed.

** Estimates. Actual top speeds, fuel consumptions and vehicle ranges may vary due to driving conditions, terrain, climate and other extenuating circumstances.

L7X

| | |
|----------------------------|--|
| POWER | 21hp 694cc LandMAXX EFI Commercial Power Engine by Kohler Command Pro® ECH650 rated at 21hp 4-stroke OHV V-twin with oil pressure warning light. Remote Air Cleaner |
| SEATING CAPACITY | 4-Person* |
| SPEED | Up to 34 mph** |
| FUEL CONSUMPTION | Up to 28 mpg** |
| RANGE | Up to 100 miles** |
| STARTING | 12V keyed ignition with recoil backup |
| BATTERY | 12V / 360 cca utility class |
| SPARK PLUG | NGK C7HSA |
| FUEL CAPACITY | 5.0 gal |
| ALTERNATOR | 25 amp |
| TRANSMISSION | CVT automatic |
| TRANSAXLE | Gear drive Schaefer/DANA oil-filled transaxle |
| DIFFERENTIAL | Cable Actuated Rear-Locking |
| DRIVE | Switch engaged on demand, 4 wheel drive |
| FRONT SUSPENSION | Double A-arms, adjustable coil over shock with up to 8" travel |
| REAR SUSPENSION | Independent trailing arm, with radius rod, adjustable camber & tow control, dual-rate coil over shock with up to 8" of travel |
| BRAKE SYSTEM | 4 wheel disc, hydraulic brake. Trans-axle mounted rotor with mechanical caliper parking brake with indicator light. |
| TIRES | 25 x 8 - 12 (front) 25 x 10 - 12 (rear) |
| DIMENSIONS | 127" L x 59" W x 76" H |
| WHEEL BASE | 105" |
| TURNING RADIUS | 16' inside radius |
| GVRW | SD - 2,525 lbs. / HD - 2,725 lbs. |
| CURB WEIGHT | 1,525, lbs. |
| BED MATERIALS | Structural foam "Poly Bed" with stake pockets |
| BED DIMENSIONS | 35.25" L x 41.5" W x 11" D |
| BED CAPACITY | Poly - 9cu.ft. / Steel - 11 cu.ft. / SD - 600 lbs. / HD - 800 lbs. |
| TOWING CAPACITY | 1,500 lbs. |
| TOTAL PAYLOAD | SD - 1,100 lbs. / HD - 1,200 lbs. |
| WARRANTY | 3 year engine / All other 1 year limited |
| ADDITIONAL FEATURES | 3pt lap/shoulder DOT certified belts for driver and passenger with driver indicator light,twin 12V auxiliary outlets for accessories, 12V/18W LED headlights, polyurethane powder paint, 2" rear receiver hitch, poly dump bed standard, bench seating, welded steel frame, Complete weather-sealed wiring connections. Wide selection of additional accessories available along with three bed options. In-dash, hour/volt meter standard |

* 2 additional seats with optional seat bed.

** Estimates. Actual top speeds, fuel consumptions and vehicle ranges may vary due to driving conditions, terrain, climate and other extenuating circumstances.

limited warranty

Gas Powered Utility Vehicle

Limited Warranty: American LandMaster (hereinafter referred to as “ALM”), hereby warrants to the original purchaser, that your new ALM Utility Vehicle will be free from defects in material and workmanship for a period of one (1) year from date of purchase, except as provided below. Certain engines may carry an engine manufacturer’s warranty which is longer than one (1) year. These engines are not covered by this ALM warranty. Please refer to the engine manufacturer’s warranty policy included with your ALM product for its warranty repair requirements and procedures.

ALM Warranty Responsibilities: ALM, if notified of a defect in material or workmanship during the period of warranty, will repair or replace, at its option, defective parts covered by this warranty at no charge, other than the reasonable cost for the transportation of the component(s). ALM will also agree to pay reasonable charges for labor, if necessary, to perform a warranty repair.

Warranty Claim Requirements and Procedures: In order to be able to claim under this warranty the original purchaser must maintain and operate the vehicle in accordance with the instructions provided in the Operator’s Manual, engine manual, the supplements thereto, and labels affixed to the vehicle. Additionally, within (10) days of the discovery of an alleged defect, the original purchaser must contact ALM’s Customer Service Department at 1-800-643-7332, 2499 S 600 E, suite 102, Columbia City, IN 46725 or via the internet at www.americanlandmaster.com. The repair or replacement of any part or parts under this Limited Warranty shall not extend the term of the warranty beyond the original term as set forth above.

General Exclusions: This limited warranty does not cover component failure or damage caused by any of the following: abnormal strain or stress, neglect; abuse; improper assembly of components which were supplied in the factory sealed carton after the vehicle left ALM; improper maintenance, modifications, damage caused by use of non ALM accessories, improper use of the vehicle, including, but not limited to racing, jumping, stunt driving, or any other uses prohibited by the Operator’s Manual. Additionally, this warranty does not cover vehicles which are leased, rented, or used at a concession track.

Specific Exclusions: This limited warranty does not apply to components which are subject to normal wear and tear. These items include the tires, battery and brake pads. Downtime, pick-up and delivery charges are not covered by this warranty. This warranty does not apply to select engines which are covered by a separate manufacturer’s warranty.

NO IMPLIED WARRANTY OF FITNESS OR MERCHANTABILITY: THERE ARE NO WARRANTIES WHICH EXTEND BEYOND THE DESCRIPTION ON THE FACE HEREOF. SPECIFICALLY, ALM MAKES NO OTHER WARRANTY OF ANY KIND, EXPRESSED OR IMPLIED. ALL WARRANTIES OF MERCHANTABILITY AND FITNESS FOR A PARTICULAR PURPOSE WHICH EXCEED THE OBLIGATIONS AND TIME LIMITATIONS SPECIFIED IN THE WARRANTY ABOVE ARE HEREBY DISCLAIMED BY ALM AND EXCLUDED FROM THIS WARRANTY. ADDITIONALLY, THIS WARRANTY EXCLUDES ANY INCIDENTAL OR CONSEQUENTIAL DAMAGES, INCLUDING BUT NOT LIMITED TO LOSS OF USE. SOME STATES DO NOT ALLOW A MANUFACTURER TO EXCLUDE OR LIMIT INCIDENTAL OR CONSEQUENTIAL DAMAGES AND, THEREFORE, THE ABOVE EXCLUSION MAY NOT APPLY TO YOU.

SOME STATES DO NOT ALLOW LIMITATIONS ON HOW LONG AN IMPLIED WARRANTY WILL LAST. IT IS POSSIBLE THAT THE ABOVE LIMITATION MAY NOT APPLY TO YOU. THIS WARRANTY GIVES YOU SPECIFIC LEGAL RIGHTS, AND YOU MAY ALSO HAVE OTHER LEGAL RIGHTS, WHICH VARY, FROM STATE TO STATE.

Warranty Service: To obtain warranty service you must return your ALM product to the local authorized dealer or service center, inform them of your warranty problem and provide proof of purchase before any warranty service can be provided. The authorized dealer or service center will inspect the product to determine what repairs or parts are needed and whether they are covered under this warranty. To locate the authorized dealer or service center nearest you please call ALM customer service at 800-643-7332, or visit our website at www.americanlandmaster.com for more information.

EPA Requirements: This product complies with all applicable EPA Emissions and, Evaporative requirements. Included with your product’s documents are copies of ALM’s “Emission Control System Warranty Statement”. If your vehicle has a fuel tank mounted remotely from the engine, you will be provided with an “Evaporative Emissions Warranty Statement.”

Service and Warranty Special Note

Should your American LandMaster product require warranty repair, service or if you have any questions concerning assembly, replacement parts or how to care for your product please contact your local American LandMaster dealer or American LandMaster directly.

American LandMaster Dealers:

To locate the authorized dealer nearest you please call American LandMaster customer service at 1-800-643-7332, visit our website at www.americanlandmaster.com or contact your place of purchase.

Mail:

Customer Support
c/o American LandMaster
2499 S 600 E, suite 102
Columbia City, IN 46725

Telephone:

Customer Support
American LandMaster
1-800-643-7332

Fax:

Customer Support
American LandMaster
1-800-399-1399

e-mail:

Customer Support
American LandMaster
feedback@americanlandmaster.com



| | | |
|---------|----------|------------------|
| MODEL # | SERIAL # | DATE OF PURCHASE |
|---------|----------|------------------|

DEALER SET-UP

- | | |
|---|---|
| <input type="checkbox"/> VISUALLY - inspect for damage | <input type="checkbox"/> MANUALS - operators safety manual / engine manual |
| <input type="checkbox"/> FASTENERS - inspect for missing bolts, nuts | <input type="checkbox"/> WELDS - inspect for missing |
| <input type="checkbox"/> CHECK ORDER - verify all items are as ordered | <input type="checkbox"/> CLEAN UP - check clean up of unit |
| <input type="checkbox"/> LOOSE COMPONENTS - verify all are there | <input type="checkbox"/> DECALS - inspect for missing decals |

SET UP BY:

DATE:

PRE DELIVERY

- | | |
|---|--|
| <input type="checkbox"/> TIRES - adjust pressure to proper specification | <input type="checkbox"/> BATTERY - insure that it is fully charged |
| <input type="checkbox"/> WHEELS - check lug and axle nut for proper torque | <input type="checkbox"/> KEYS - verify operations of key switch |
| <input type="checkbox"/> CAGE - check to insure cage is assembled properly | <input type="checkbox"/> LIGHTS - verify proper operation of all lights |
| <input type="checkbox"/> FASTENERS - check all fasteners for proper torque | <input type="checkbox"/> AXLE - inspect attachment and wheel bearings |
| <input type="checkbox"/> TRANSAXLE - insure oil level is correct | <input type="checkbox"/> ENGINE - check engine RPM's for settings |
| <input type="checkbox"/> PARKING BRAKE - insure that working correctly | <input type="checkbox"/> SEAT RESTRAINTS - insure installed properly |
| <input type="checkbox"/> DUMP BED - insure latch is adjusted properly | <input type="checkbox"/> SEATS - insure seat is installed properly |
| <input type="checkbox"/> SHIFT LEVER - insure working properly | <input type="checkbox"/> GUARDS - inspect for missing bolts, nuts, guards |
| <input type="checkbox"/> BRAKE - insure brake is adjusted and working | <input type="checkbox"/> THROTTLE - insure throttle is working properly |
| <input type="checkbox"/> OIL - insure that engine oil level is correct | |

CHECKED BY:

DATE:

DEALER INFORMATION

NAME

PHONE

ADDRESS

FAX

CITY, STATE, ZIP

EMAIL

CUSTOMER CHECKLIST

- | | |
|---|---|
| <input type="checkbox"/> VISUAL INSPECTION | <input type="checkbox"/> MY DEALER DEMONSTRATED ALL CONTROLS |
| <input type="checkbox"/> RECEIVED SERVICE INSTRUCTIONS | <input type="checkbox"/> RECEIVED KEYS & ENGINE MANUAL |
| <input type="checkbox"/> SHOWN ALL ENGINE CONTROLS | <input type="checkbox"/> I have reviewed and understand the warranty policy |
| <input type="checkbox"/> WARRANTY EXPLAINED FULLY | <input type="checkbox"/> I have visually inspected unit and found no defects |
| <input type="checkbox"/> RECEIVED OWNERS MANUAL | <input type="checkbox"/> I understand this vehicle product is not designed for racing |

I understand that this product is designed for off road use only and is NOT intended for use on public roads or highways unless equipped with an LSV package.*

I understand that before operating this vehicle all operators and passengers must read, follow and understand all safe operating instructions

* American LandMaster Low Speed Vehicle (LSV) models are street legal where allowed when properly licensed and plated. No ALM vehicles are designed for, nor allowed on highways. Check local ordinances regarding the use of Low Speed Vehicles in your area.

PRE DRIVE INSPECTION CHECKLIST

| ITEM | INSPECTION PROCEDURE | ACTION |
|-----------------------------------|---|---|
| Engine Oil Level | Add oil if required. Check for leaks. Tighten filler cap securely. | Refer to operator's or engine manual. |
| Fuel Level | Add fuel if necessary. DO NOT overfill. DO NOT mix oil with gas. Replace cap tightly. | Refer to operator's or engine manual. DO NOT refuel a hot engine. Allow engine to cool before adding fuel. Never use E-85 on E-15 fuel. |
| Warning Decals | Make sure all warning decals are legible and securely attached. | Replace as necessary. |
| Tires | Tread must have a minimum height of 1/8" at center of tire. Prior to operating vehicle, check and adjust tire pressure as indicated on the sidewall of each tire, or in the vehicle manual (we recommend 15 p.s.i. for full size UTVs). A tire pressure gauge is required to obtain accurate readings. | Replace tires if tread height is less than 1/8" at center of tire. Add or remove air as necessary to meet requirements indicated on sidewall of each tire or in the specifications section of the vehicle manual (15 p.s.i. recommended for full size UTVs). |
| Drive Train | Check condition and fluid levels | Lubricate, adjust as necessary. |
| Throttle | Check for smooth operation. Ensure throttle 'snaps' back to idle. Check for frayed or loose cable. Check for mud, debris, and ice in throttle mechanism Check idle adjustment | Replace damaged cable. Clean out any mud and debris. If ice is present, move vehicle to a warm place and allow the ice to melt and water to dry. Adjust as necessary |
| Fasteners | Check wheels to see that all wheel nuts are tightened securely at 65 ft. Lbs. Check for missing fasteners. Check that all other fasteners are secure. | Tighten fasteners as necessary. Replace fasteners as necessary. |
| Brush Bars | Make sure all brush bars are in place and securely attached. | Replace damaged bars or fasteners and tighten as necessary. |
| Steering | Make sure steering turns freely. Check for proper 'toe-in' of wheels. | Lubricate and adjust as necessary. |
| Frame / Chassis | Check for bent or otherwise damaged frame and/or other chassis components. | Replace as necessary. |
| Guards | Check all guards covering moving parts. | Tighten fasteners on loose guards. Replace worn or damaged guards. |
| Lights | Check for proper operation | See OPERATION section of the Operator's Safety Manual |
| Suspension and Ball Joints | Check for ball looseness | Replace as necessary |
| Keyswitch | Perform switch test and ensure that engine shuts off when key is turned to the "OFF" position. | Repair / replace as necessary |
| Brakes | Ensure brakes function properly. | Adjust / replace as necessary |
| Shields | Check all shields | Tighten fasteners on loose shields. Replace damaged shields. |